



US00D887311S

(12) **United States Design Patent**
Wu et al.

(10) **Patent No.:** **US D887,311 S**
(45) **Date of Patent:** **** Jun. 16, 2020**

(54) **MOBILITY VEHICLE**

(71) Applicant: **Karma Medical Products Co., LTD.,**
Chia-Yi (TW)

(72) Inventors: **Li-Wei Wu**, Chia-Yi (TW); **Chih-Hung Tseng**, Chia-Yi (TW); **Wei-Lin Hsieh**, New Taipei (TW); **Tsung-Ching Li**, Chiayi County (TW); **Chien-Hung Wu**, Chia-Yi (TW)

(73) Assignee: **Karma Medical Products Co., LTD.,**
Chia-Yi (TW)

(**) Term: **15 Years**

(21) Appl. No.: **29/684,272**

(22) Filed: **Mar. 19, 2019**

(30) **Foreign Application Priority Data**

Sep. 20, 2018 (TW) 107305611
Sep. 20, 2018 (TW) 107305613

(51) **LOC (12) Cl.** **12-12**

(52) **U.S. Cl.**
USPC **D12/131**

(58) **Field of Classification Search**
USPC D12/128–133
CPC A61G 5/00–14
See application file for complete search history.

(56) **References Cited**

U.S. PATENT DOCUMENTS

D769,775 S * 10/2016 Sugie D12/131
D832,152 S * 10/2018 Sasai D12/131

* cited by examiner

Primary Examiner — Charles D Hanson
(74) *Attorney, Agent, or Firm* — Winston Hsu

(57) **CLAIM**

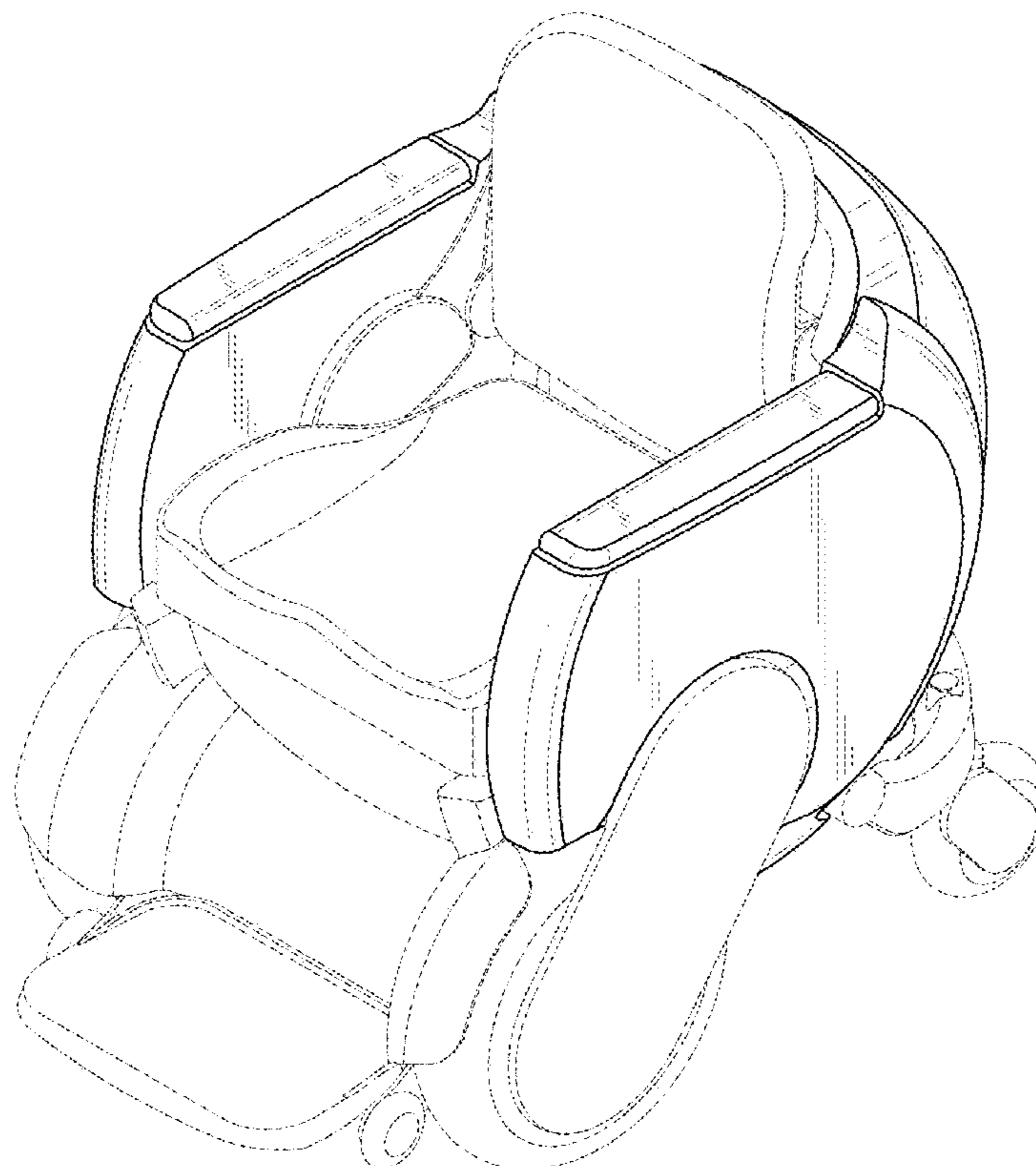
The ornamental design for a mobility vehicle, as shown and described.

DESCRIPTION

FIG. 1 is a top, front, and right side perspective view for a mobility vehicle showing our new design;
FIG. 2 is a front elevation view thereof;
FIG. 3 is a rear elevation view thereof;
FIG. 4 is a left side elevation view thereof;
FIG. 5 is a right side elevation view thereof;
FIG. 6 is a top plan view thereof;
FIG. 7 is a top, front, and right side perspective view for the mobility vehicle in closed state;
FIG. 8 is a front elevation view thereof;
FIG. 9 is a rear elevation view thereof;
FIG. 10 is a left side elevation view thereof;
FIG. 11 is a right side elevation view thereof; and,
FIG. 12 is a top plan view thereof.

The broken lines depict portions of the mobility vehicle in which the design is embodied that form no part of the claimed design.

1 Claim, 12 Drawing Sheets



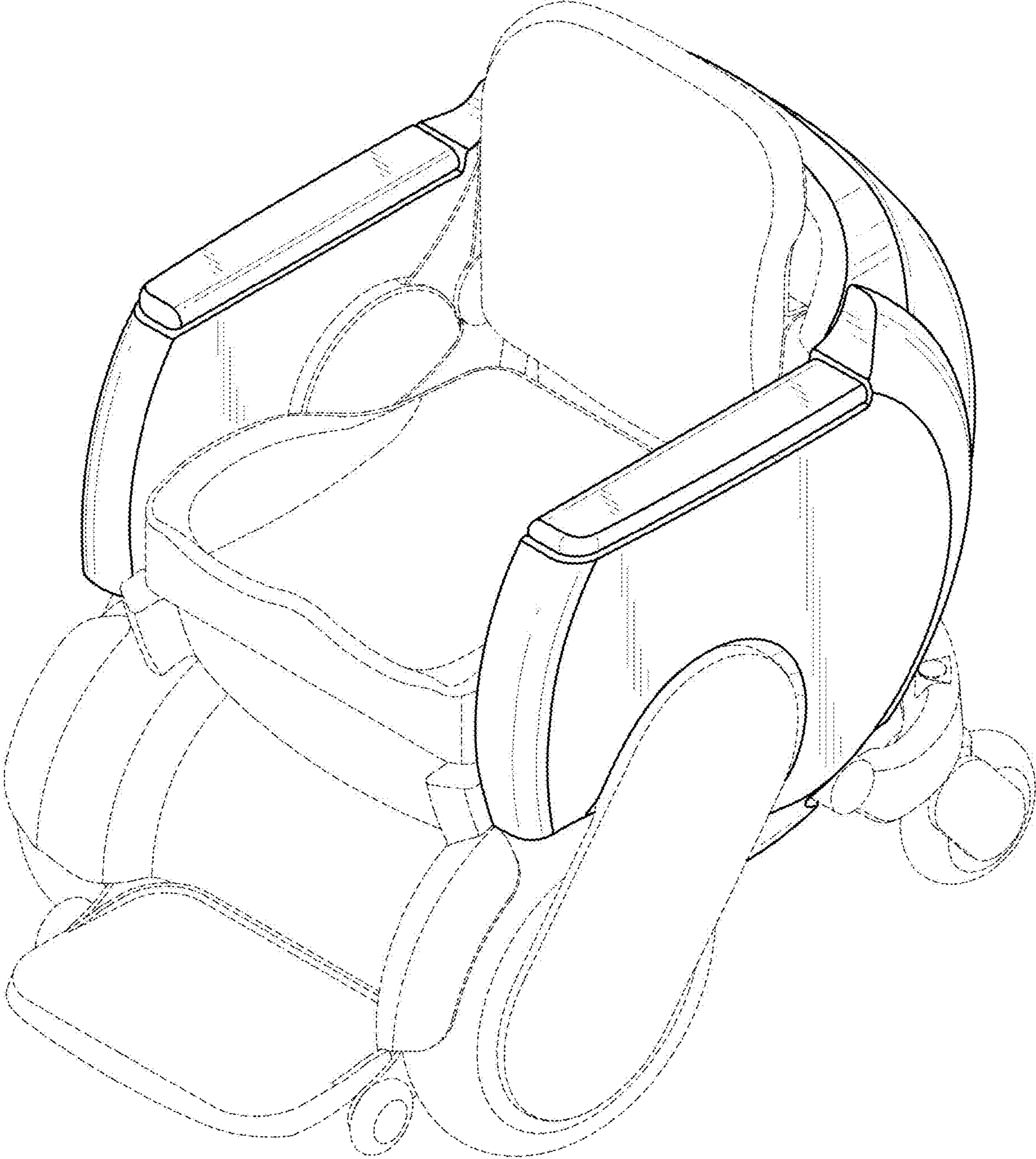


FIG. 1

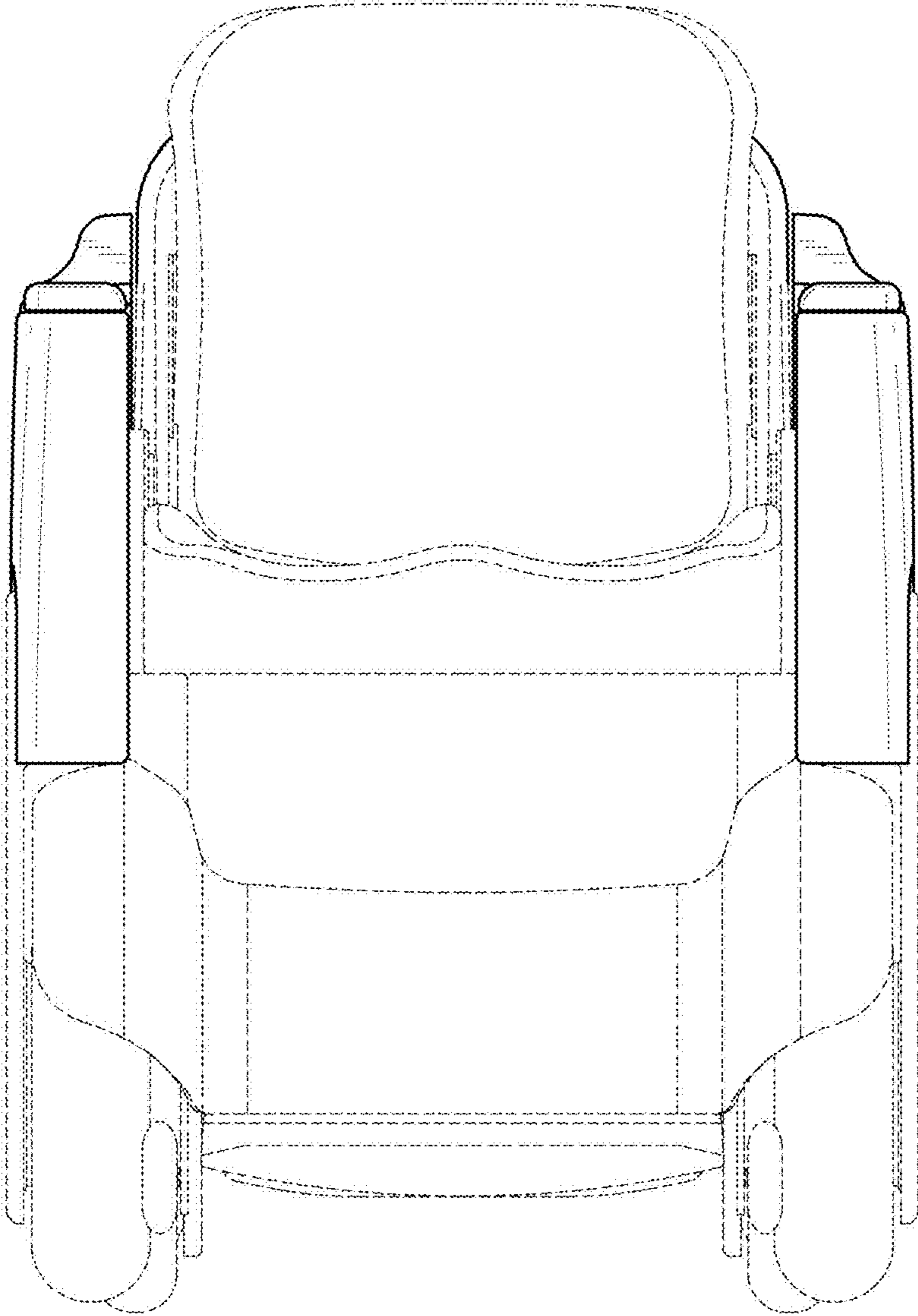


FIG. 2

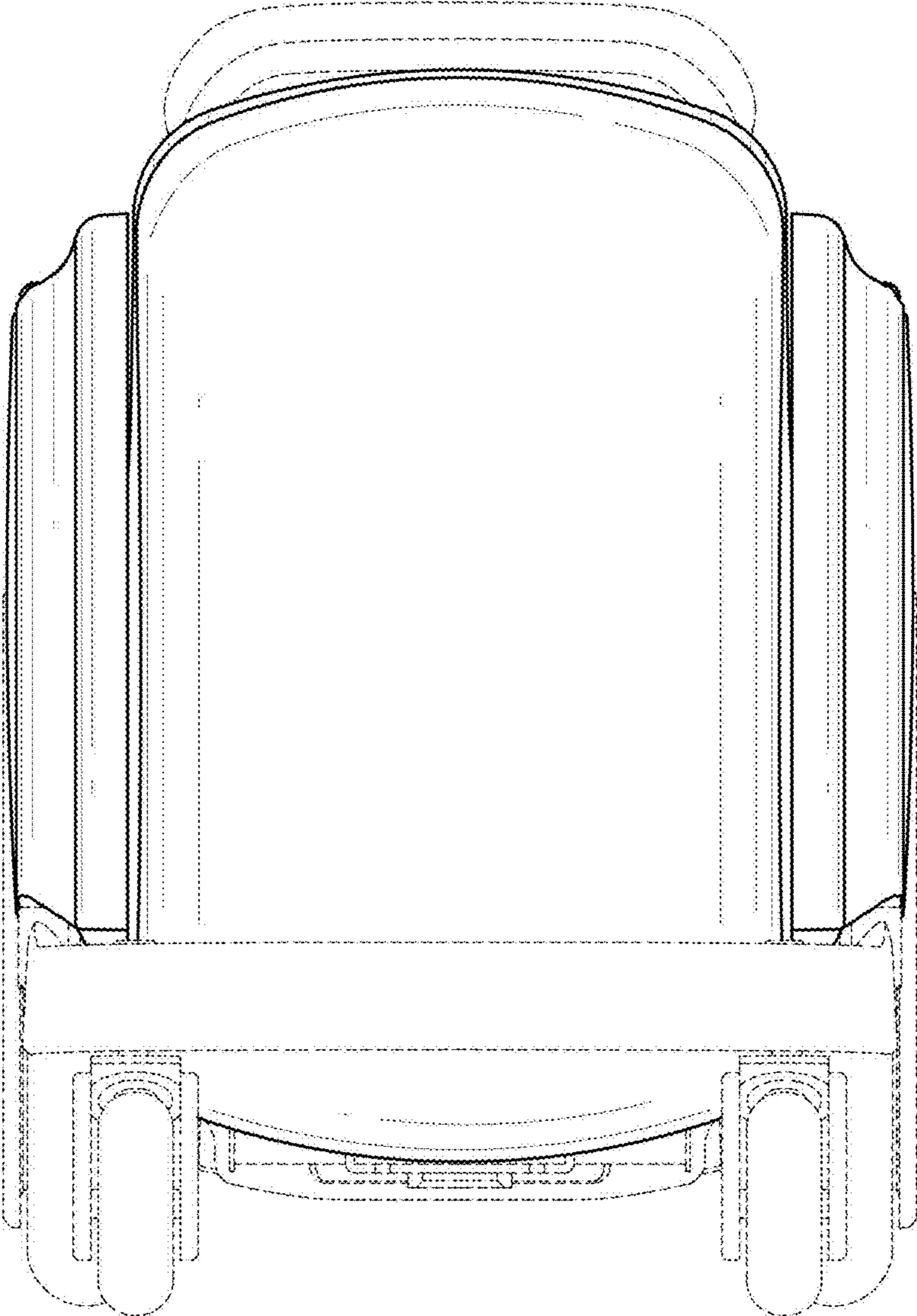


FIG. 3

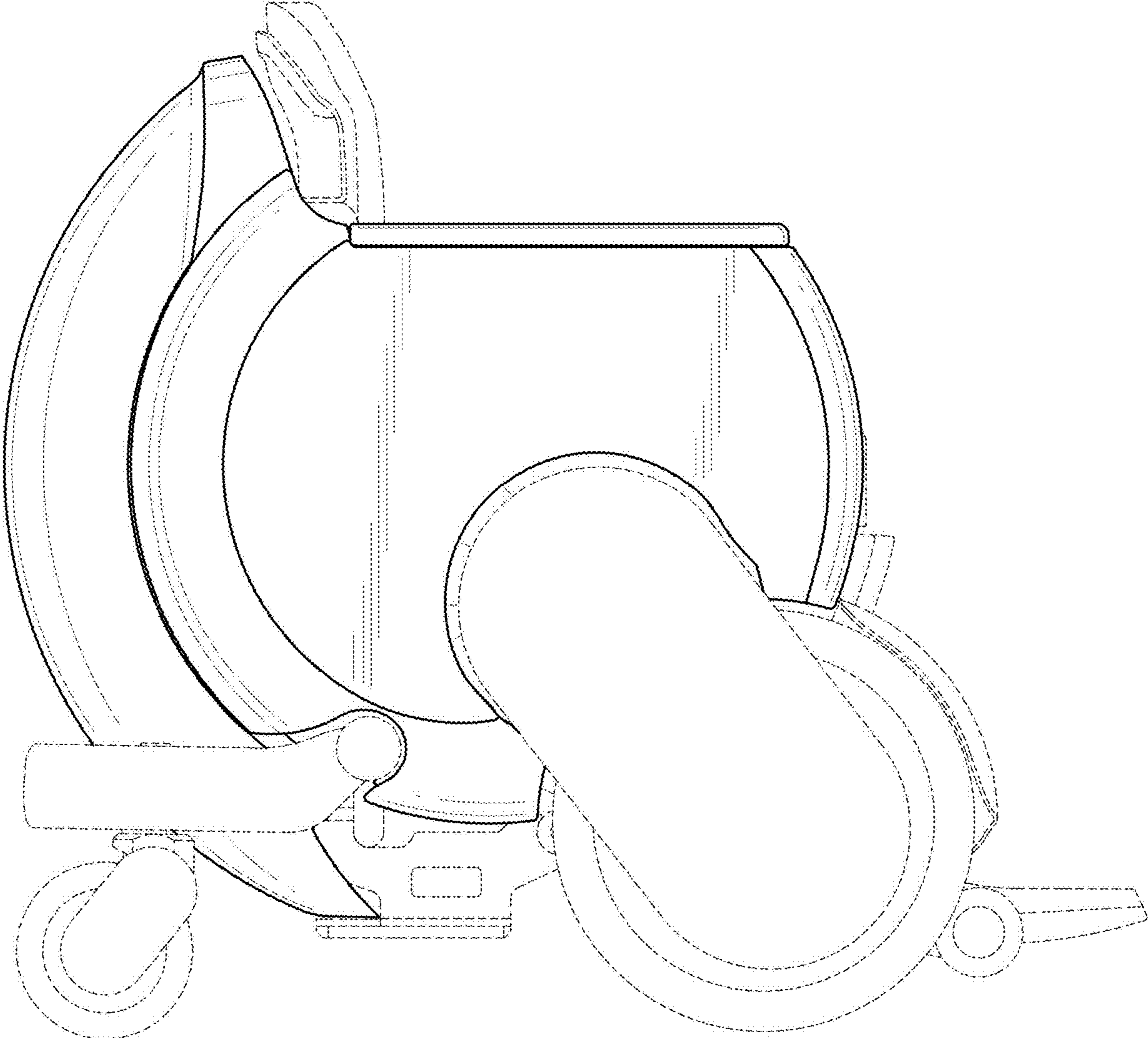


FIG. 4

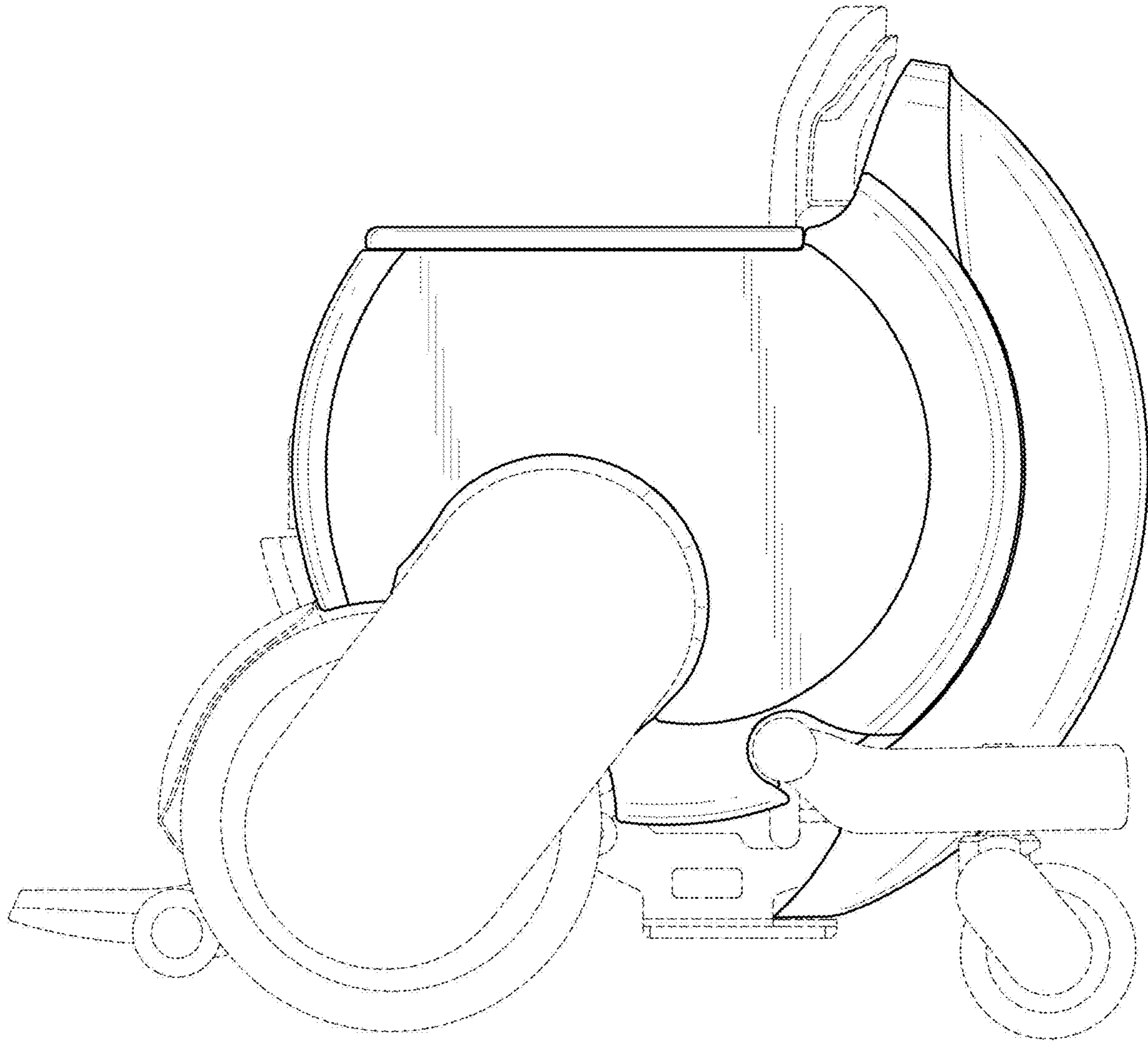


FIG. 5

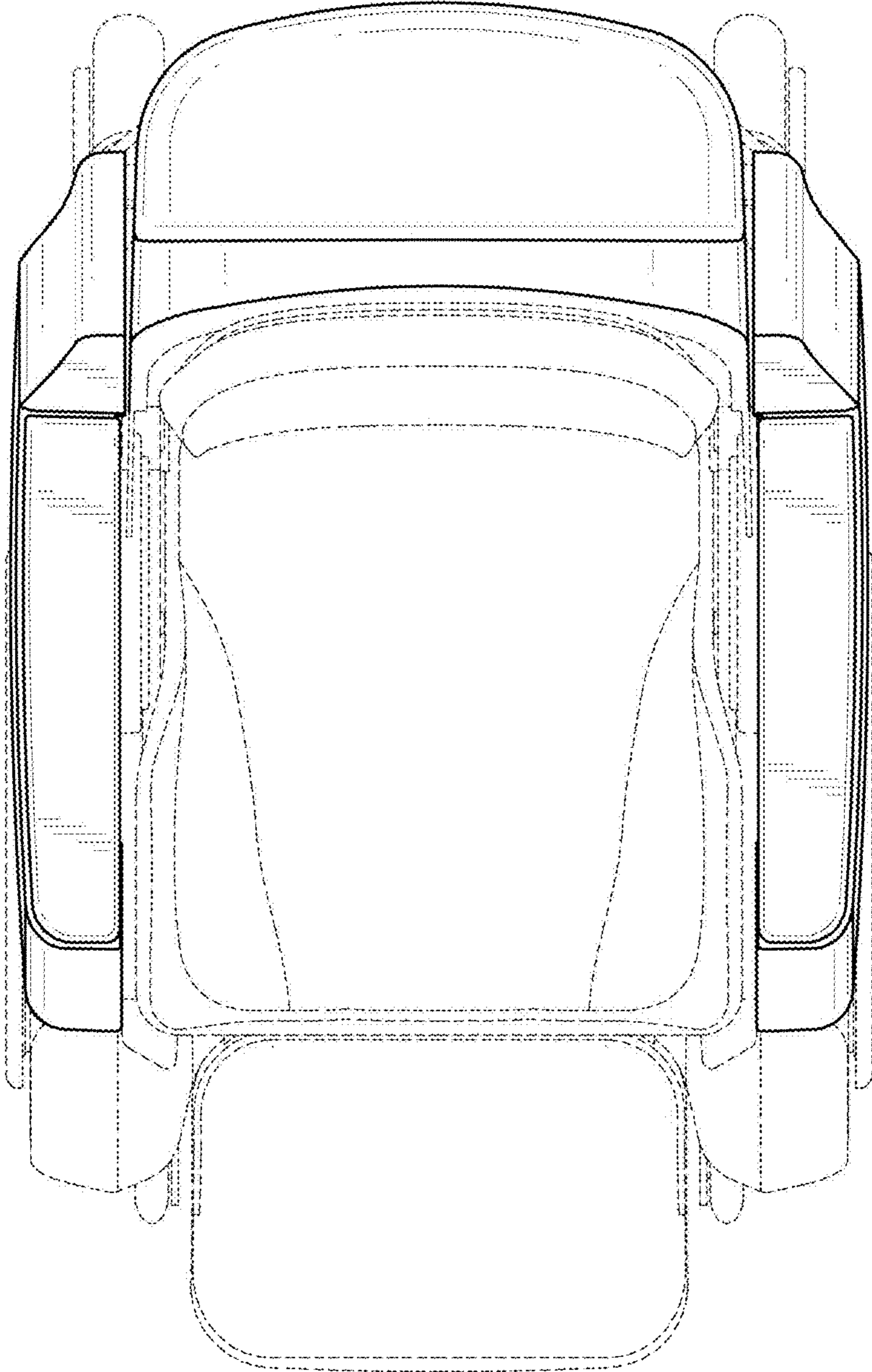


FIG. 6

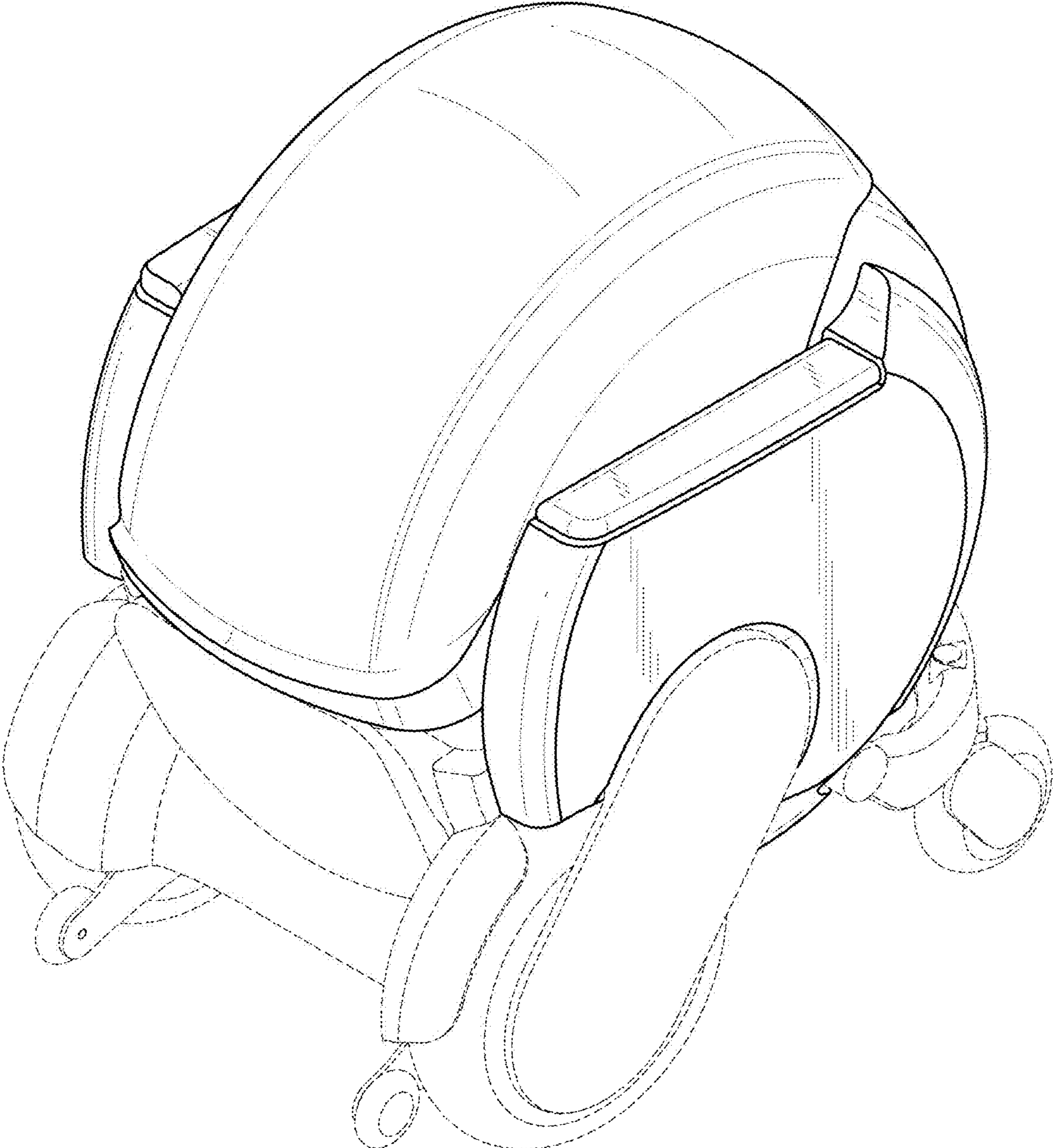


FIG. 7

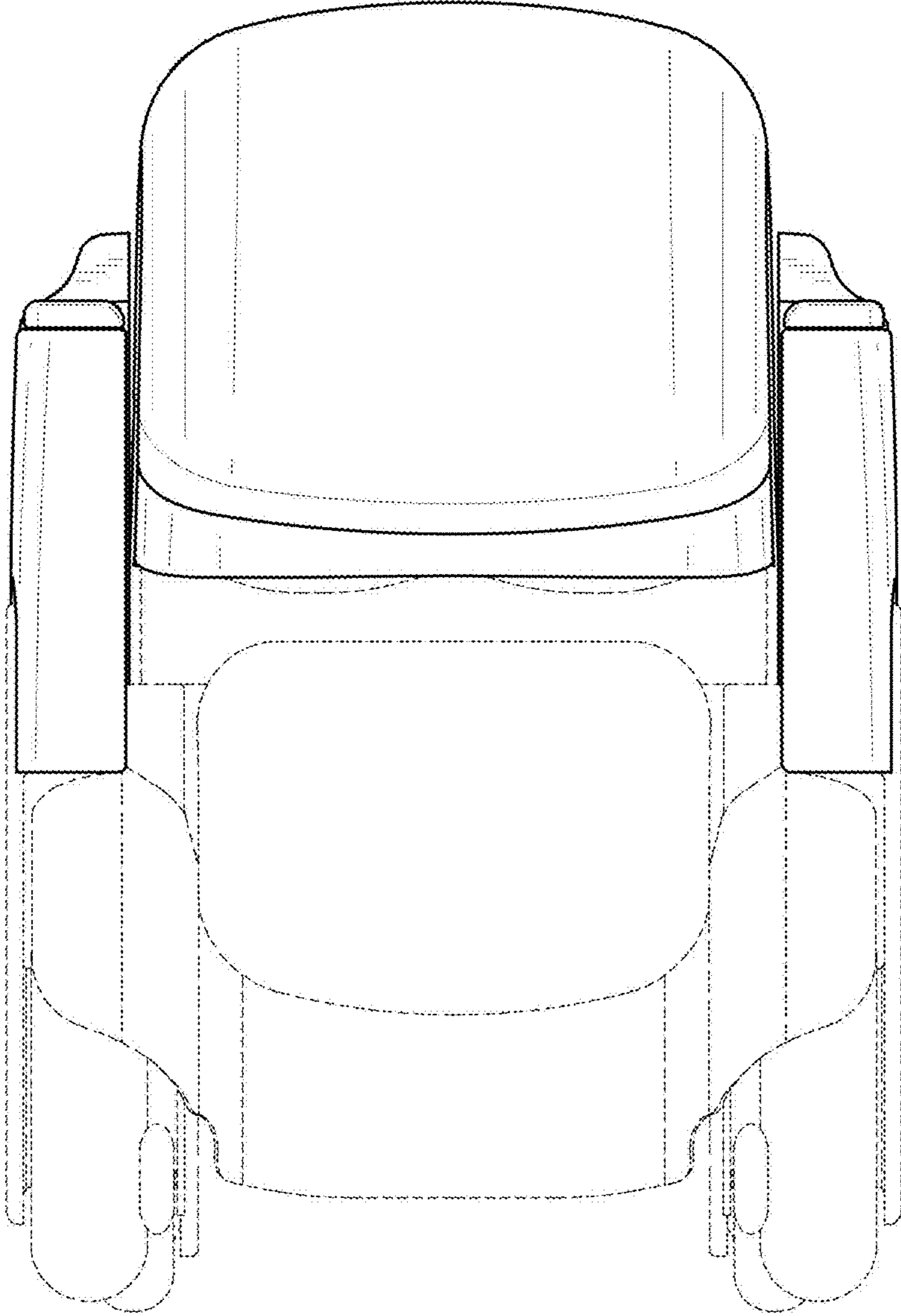


FIG. 8

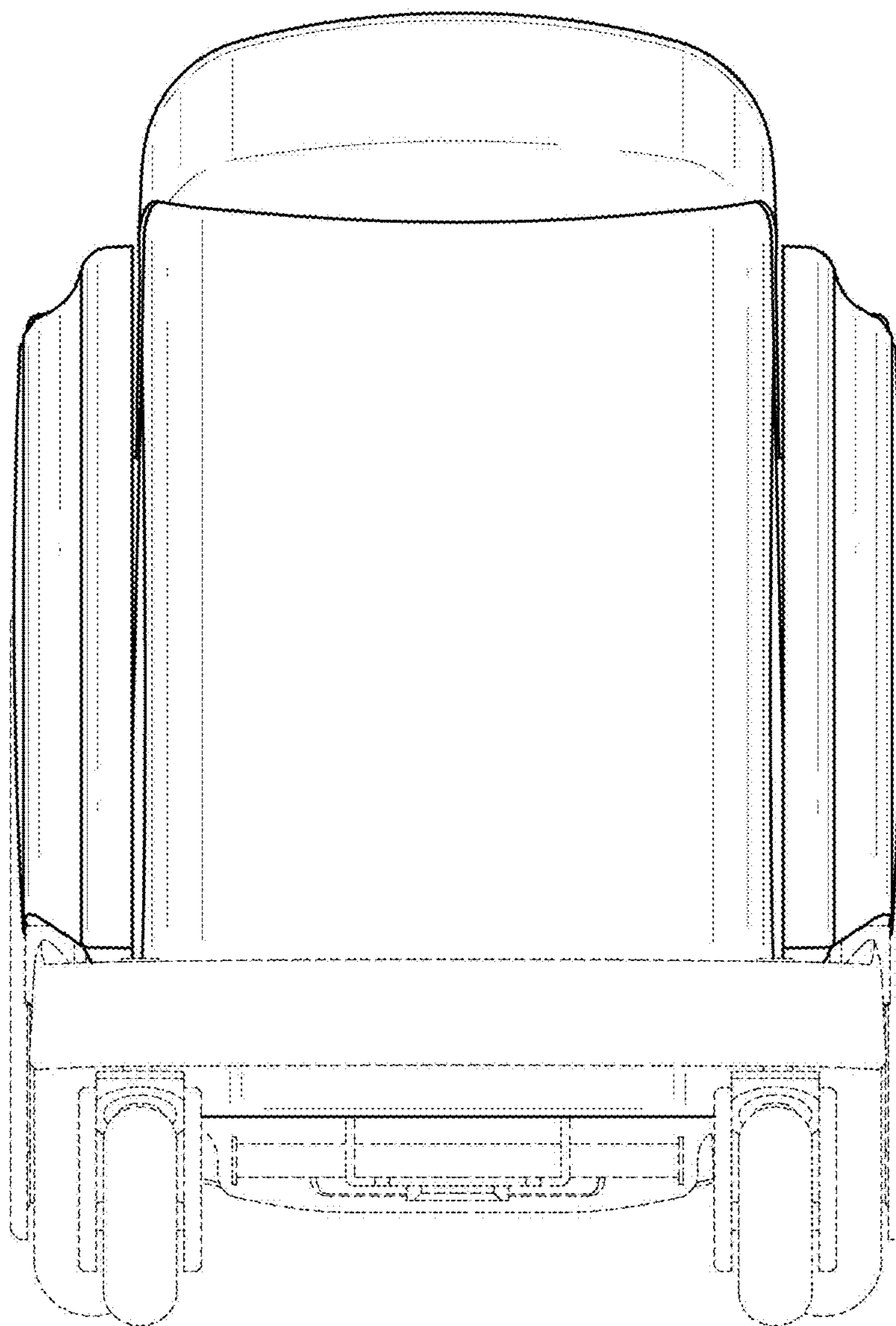


FIG. 9

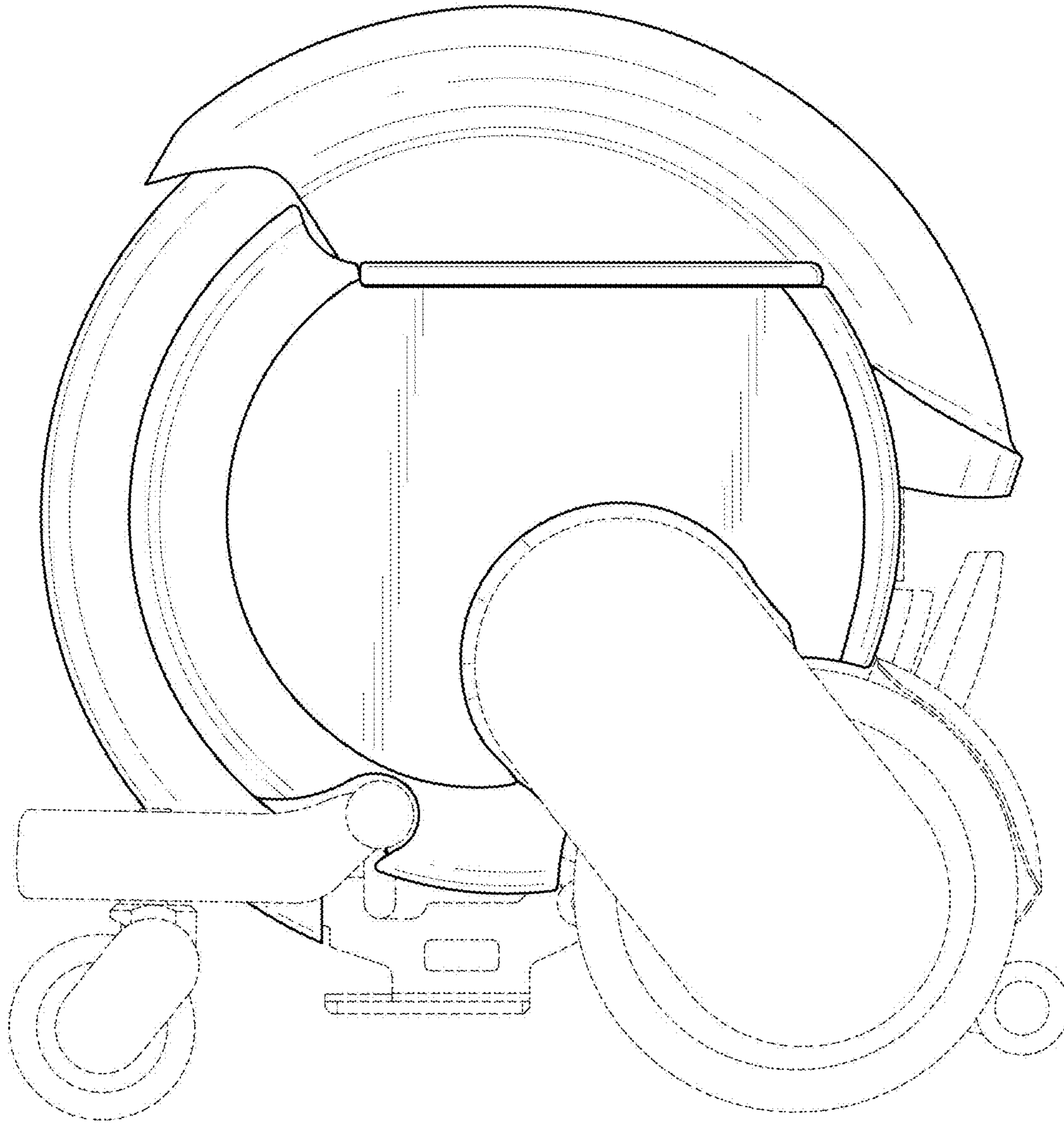


FIG. 10

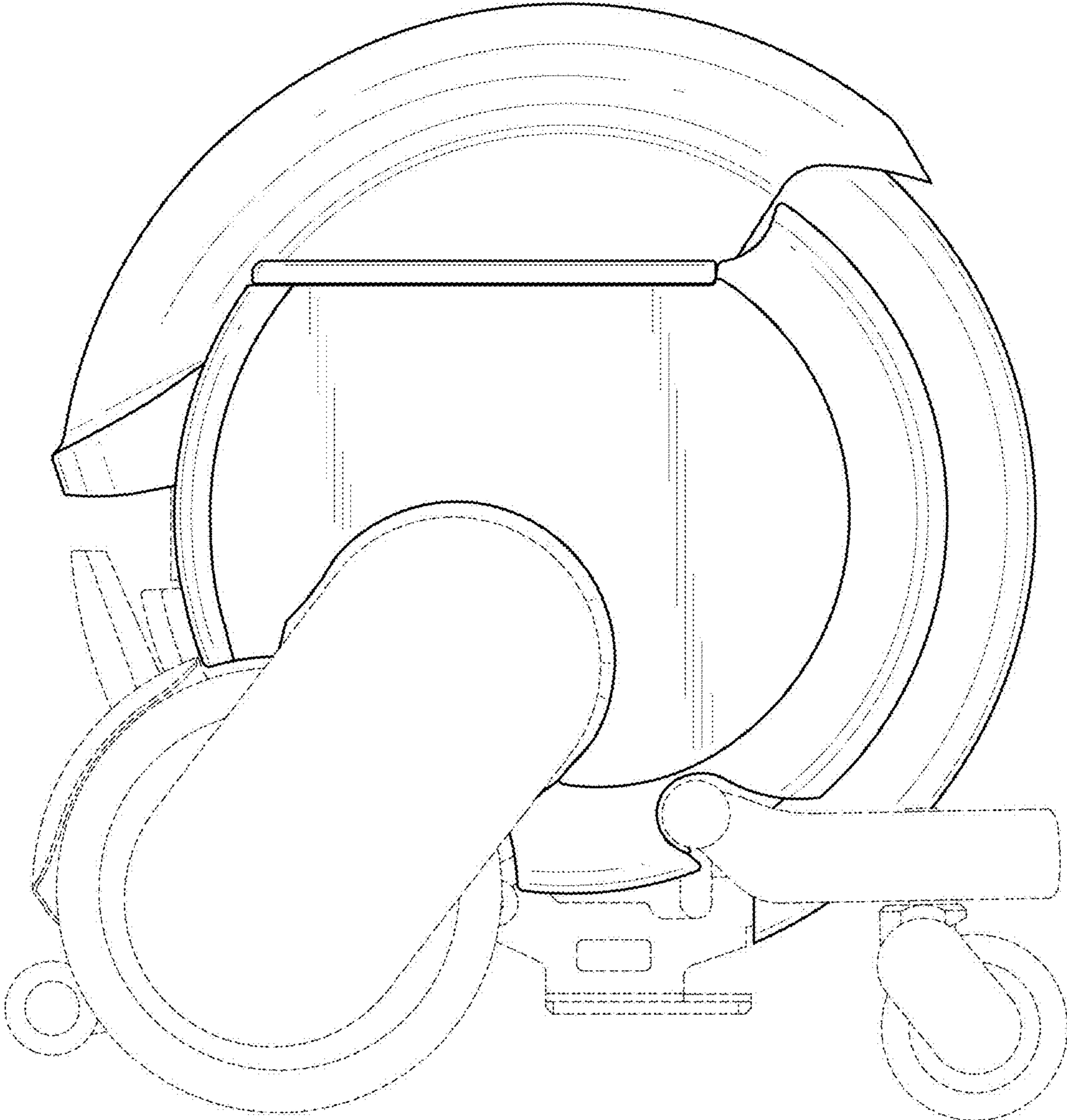


FIG. 11

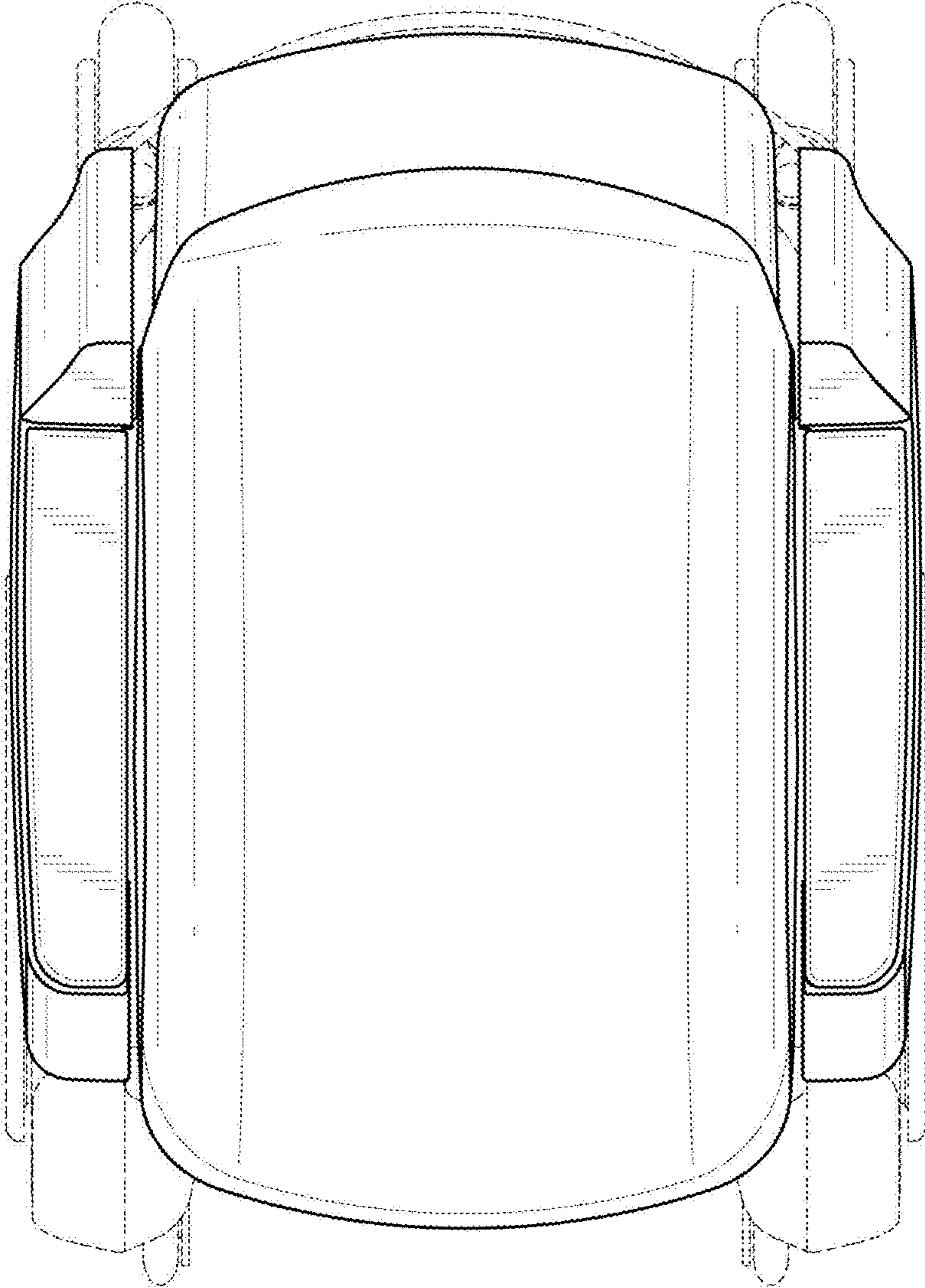


FIG. 12