



US00D887310S

(12) **United States Design Patent**  
**McGinley et al.**

(10) **Patent No.:** **US D887,310 S**  
(45) **Date of Patent:** **\*\* Jun. 16, 2020**

- (54) **MOTORCYCLE CHASSIS**
- (71) Applicant: **Harley-Davidson Motor Company Group, LLC**, Milwaukee, WI (US)
- (72) Inventors: **Ben McGinley**, Glendale, WI (US); **Brad Richards**, Grafton, WI (US); **Kirk Rasmussen**, Springville, UT (US); **Jonathan Aragones**, Oak Creek, WI (US); **Jonathon Plesetz**, Waukesha, WI (US); **Steven Wade Osgood**, Campbellsport, WI (US); **Richard W. Elchert**, Mequon, WI (US); **Jared P. Thede**, Cedarburg, WI (US)

D496,886 S *	10/2004	Everett	.....	D12/117
D498,182 S *	11/2004	Davidson	.....	D12/117
D504,847 S *	5/2005	James	.....	D12/117
6,964,314 B1 *	11/2005	Vey	.....	B62K 13/04 180/209
D521,419 S *	5/2006	Mezzasalma	.....	D12/117
D527,314 S *	8/2006	Czys	.....	D12/117
7,228,930 B1 *	6/2007	Vey	.....	B62K 13/04 180/209
D583,717 S *	12/2008	Brown	.....	D12/117
7,934,738 B2 *	5/2011	Prieling	.....	B62K 19/06 180/219
D658,095 S *	4/2012	Simon	.....	D12/117
D753,552 S	4/2016	McGinley et al.		
D795,139 S *	8/2017	Rudwal	.....	D12/107

(Continued)

- (73) Assignee: **Harley-Davidson Motor Company Group, LLC**, Milwaukee, WI (US)
- (\*\*) Term: **15 Years**

*Primary Examiner* — Darlington Ly  
(74) *Attorney, Agent, or Firm* — Michael Best & Friedrich LLP

- (21) Appl. No.: **29/658,216**
- (22) Filed: **Jul. 30, 2018**
- (51) **LOC (12) Cl.** ..... **12-11**
- (52) **U.S. Cl.**  
USPC ..... **D12/117; D12/111**
- (58) **Field of Classification Search**  
USPC ..... **D12/111, 114, 117**  
CPC . **B62K 3/00; B62K 3/005; B62K 9/00; B62K 19/00; B62K 19/02; B62K 19/04; B62K 19/06; B62K 19/16**  
See application file for complete search history.

(57) **CLAIM**

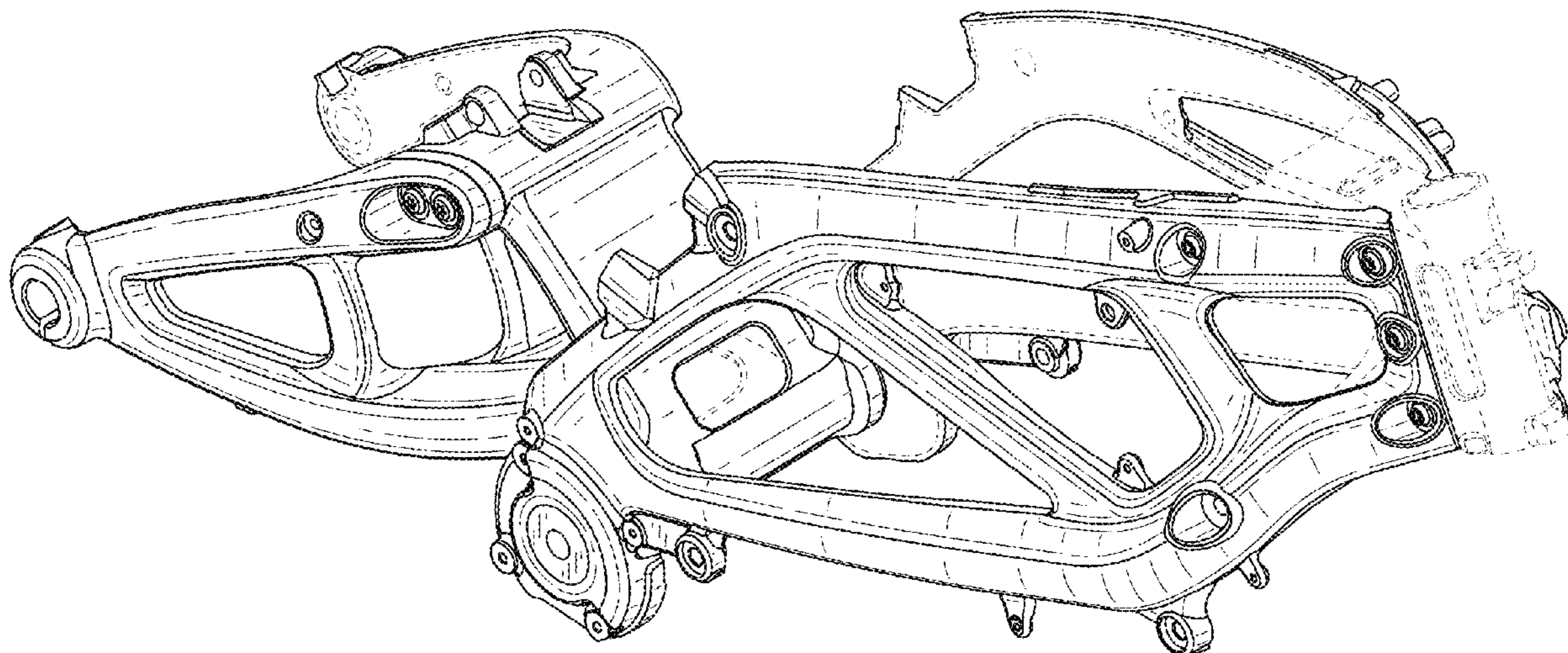
We claim the ornamental design for a motorcycle chassis, as shown and described.

**DESCRIPTION**

FIG. 1 is a front perspective view of a motorcycle chassis showing our new design;  
 FIG. 2 is a rear perspective view thereof;  
 FIG. 3 is a front elevation view thereof;  
 FIG. 4 is a rear elevation view thereof;  
 FIG. 5 is a right side elevation view thereof;  
 FIG. 6 is a left side elevation view thereof;  
 FIG. 7 is a top plan view thereof;  
 FIG. 8 is a bottom plan view thereof; and,  
 FIG. 9 is a rear perspective view thereof when installed on an exemplary motorcycle.  
 The broken lines in the drawings illustrate portions of the chassis and an environmental motorcycle that form no part of the claimed design.

- (56) **References Cited**  
U.S. PATENT DOCUMENTS  
4,742,884 A \* 5/1988 Ishikawa ..... B60T 1/065  
180/219  
5,480,001 A \* 1/1996 Hara ..... B62K 11/04  
180/219  
5,845,728 A \* 12/1998 Itoh ..... B62K 11/04  
180/219  
D456,317 S \* 4/2002 Nakazawa ..... D12/117

**1 Claim, 9 Drawing Sheets**



(56)

**References Cited**

U.S. PATENT DOCUMENTS

D811,945 S \* 3/2018 Laliberte ..... D12/110  
D819,501 S \* 6/2018 Tartarini ..... D12/117

\* cited by examiner

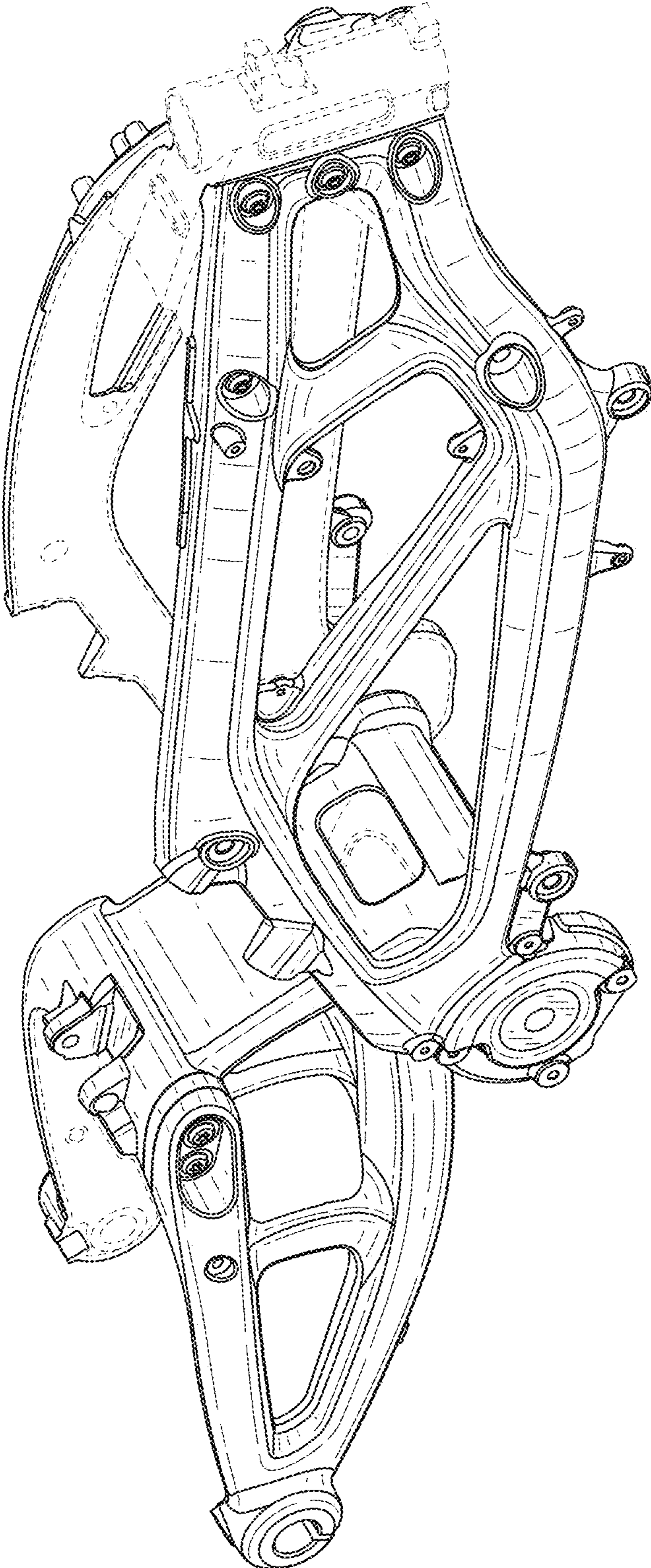
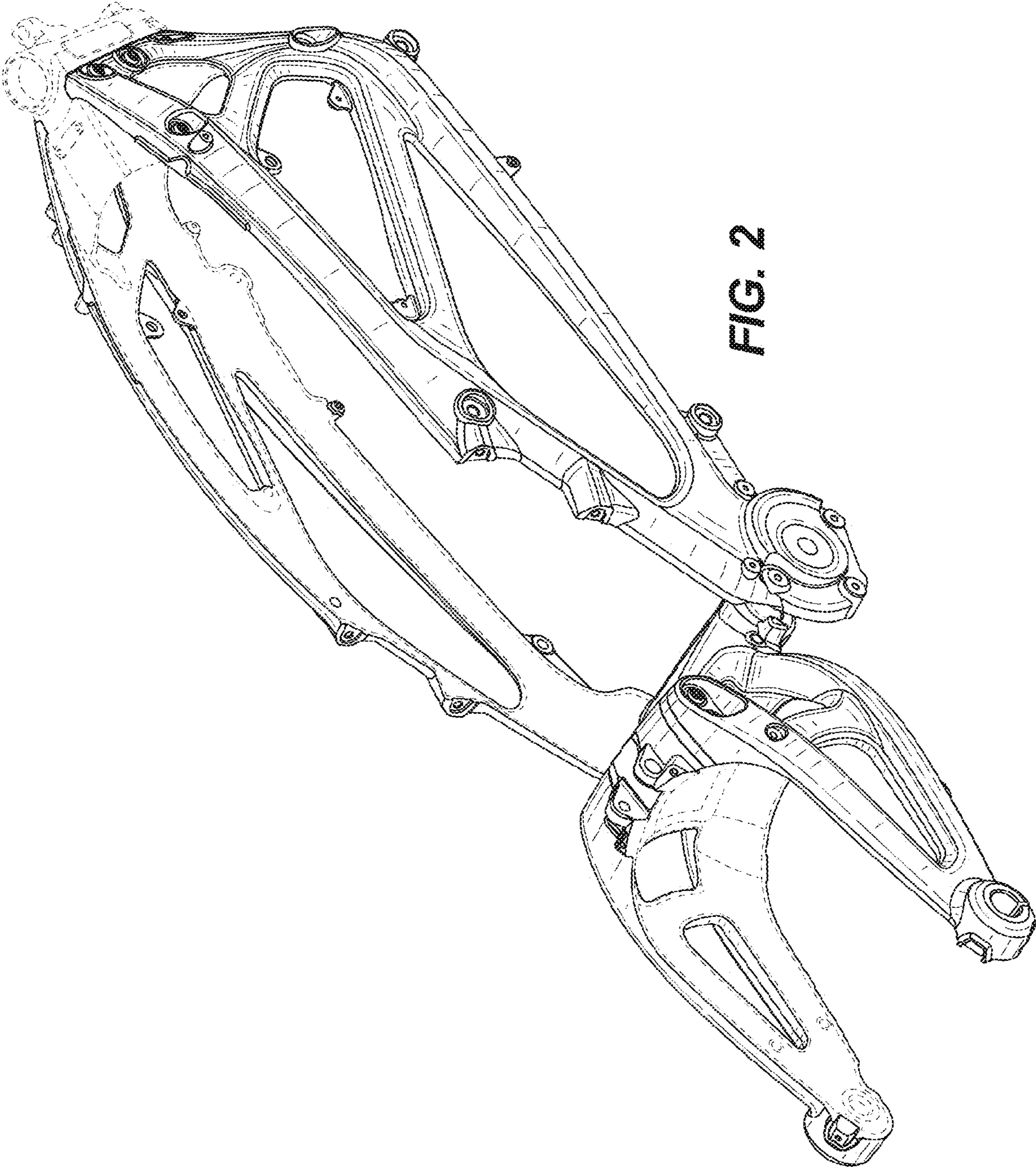
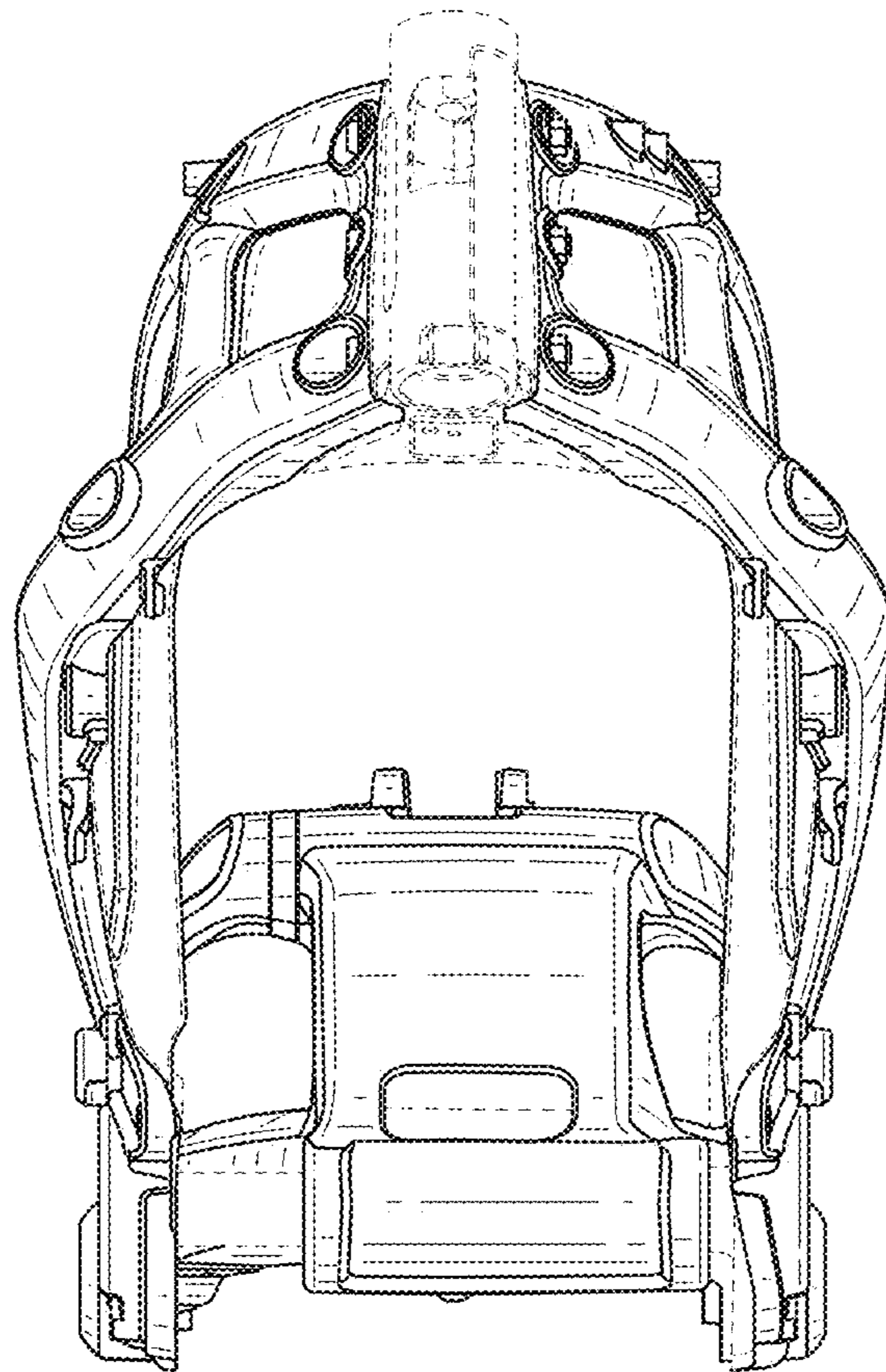
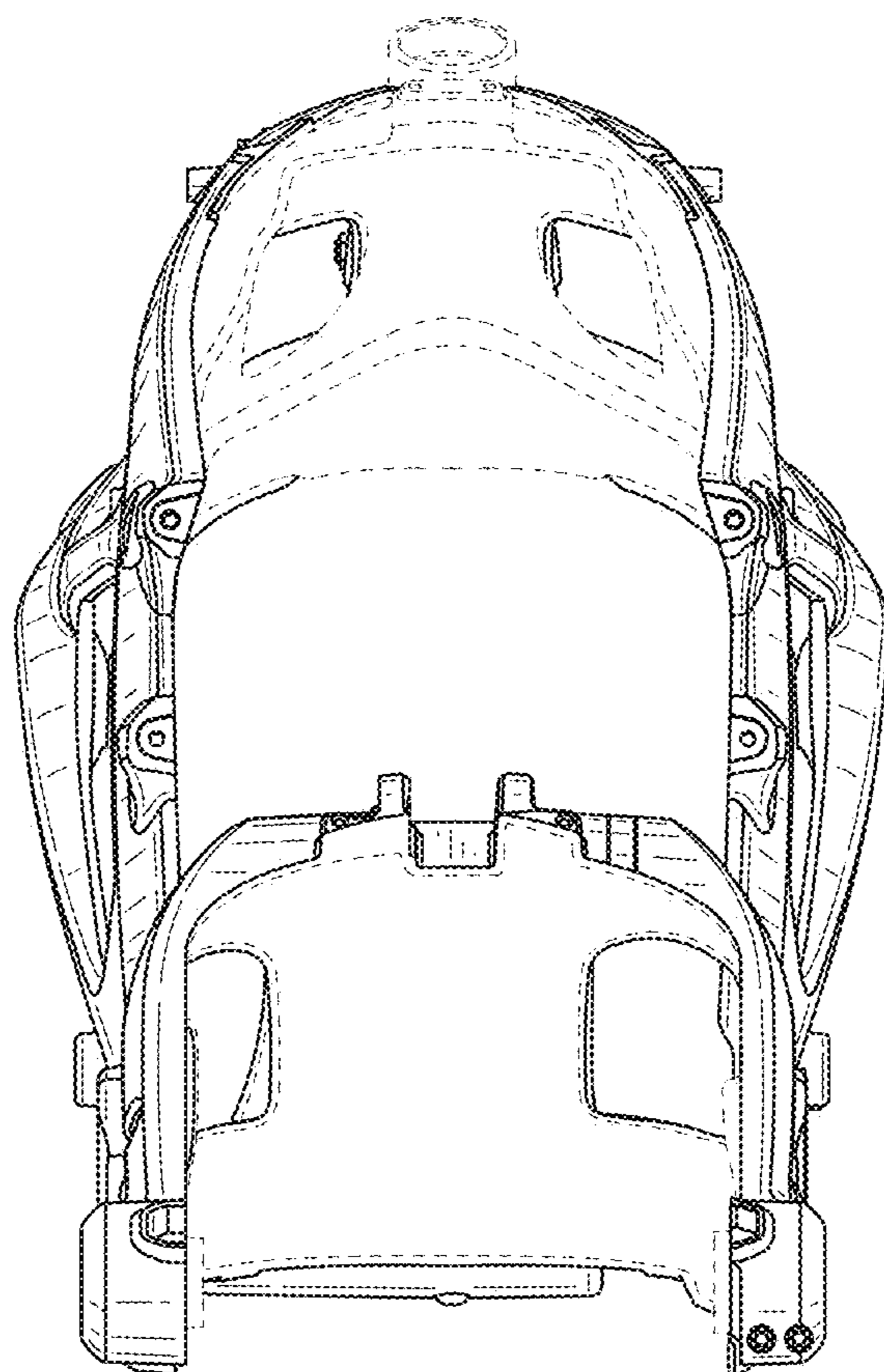


FIG. 1





**FIG. 3**



**FIG. 4**

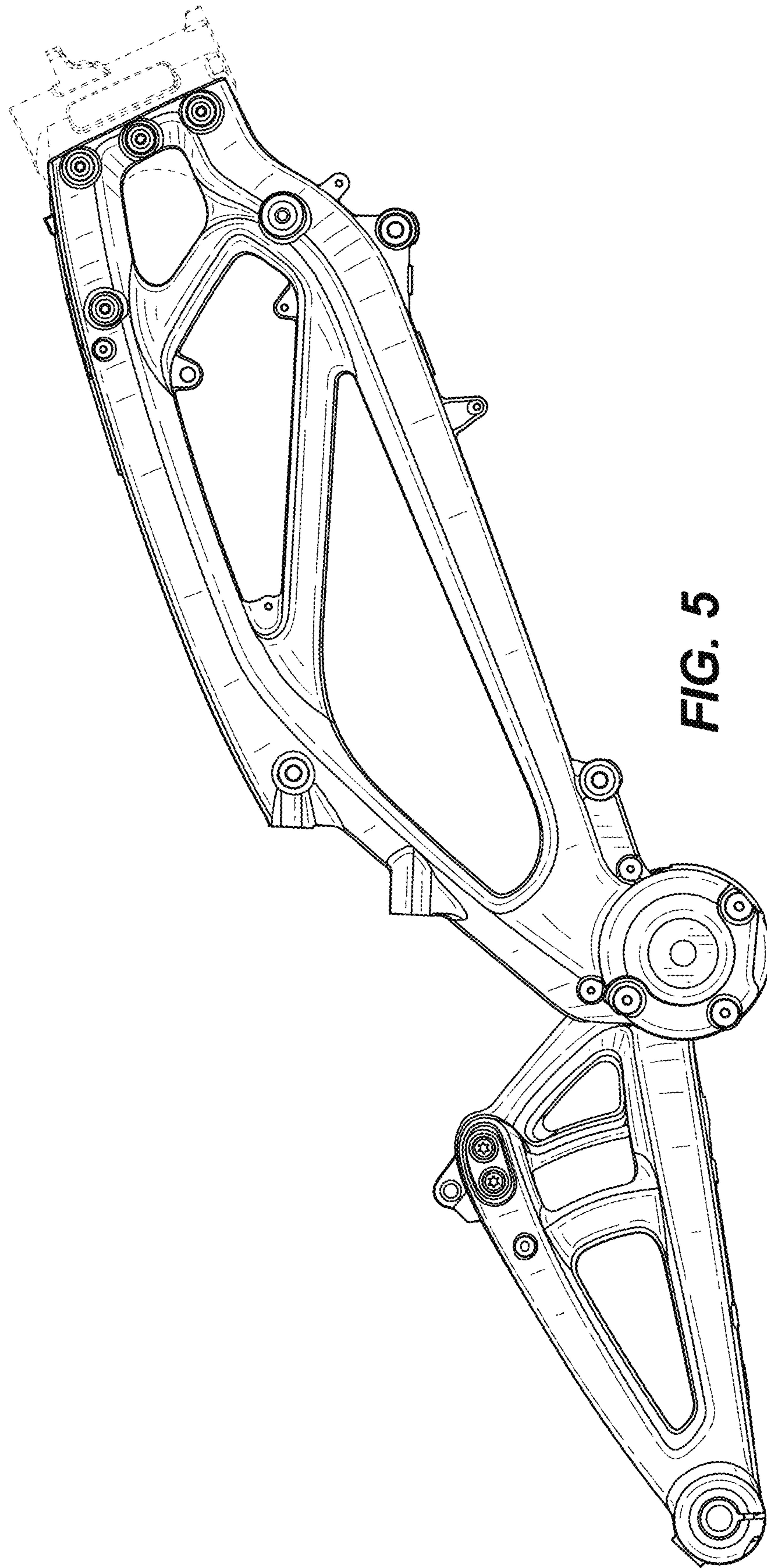


FIG. 5

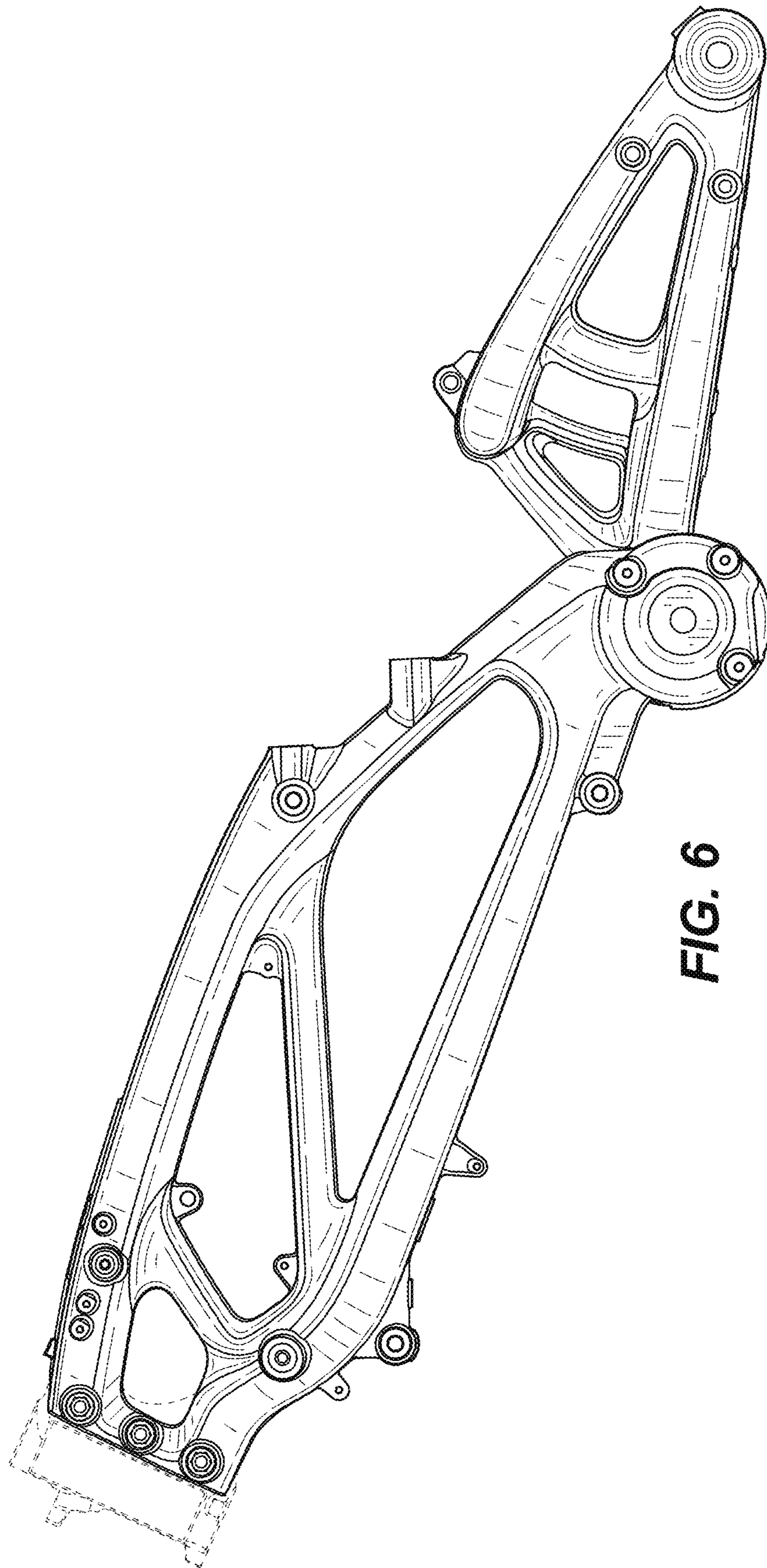
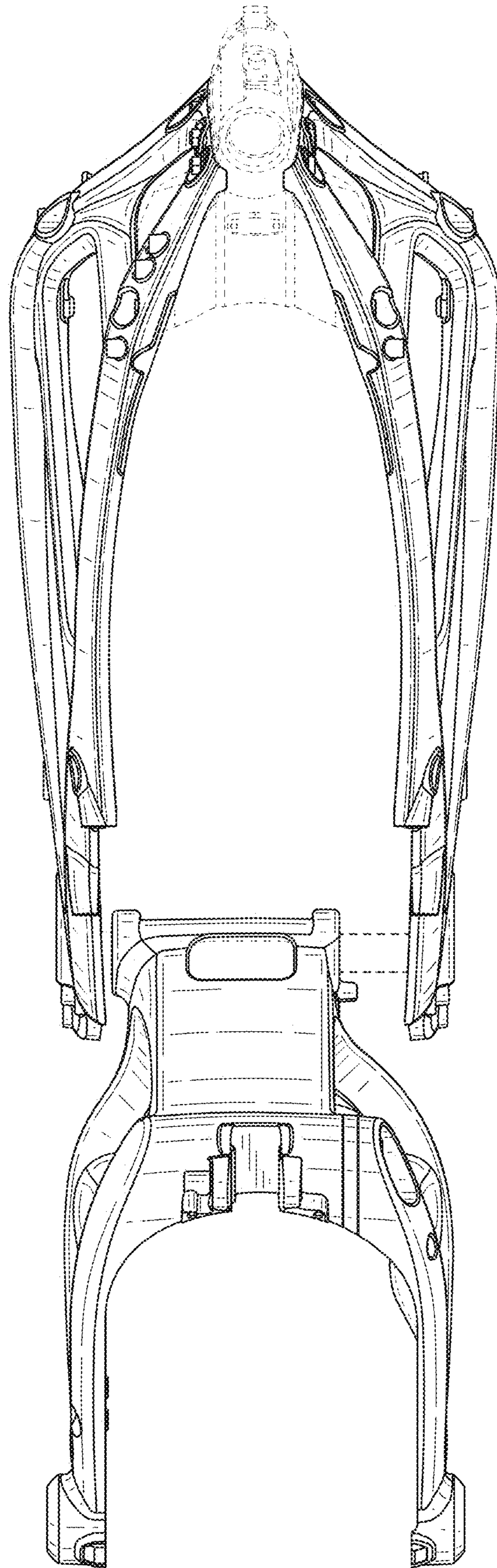
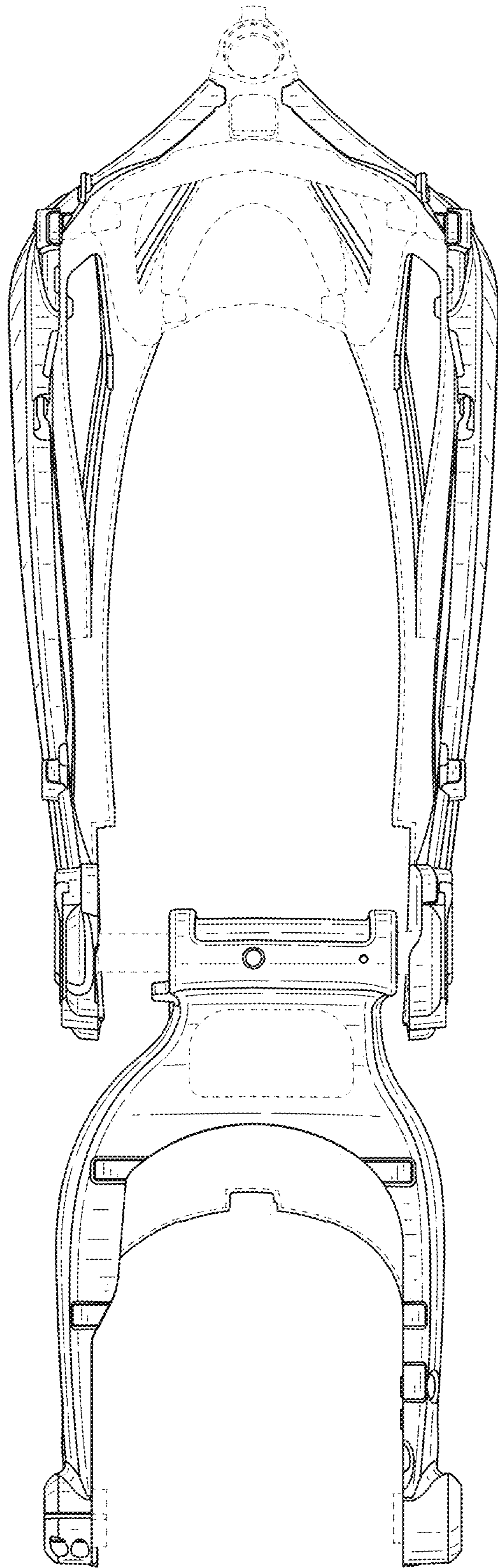


FIG. 6





**FIG. 7**



**FIG. 8**

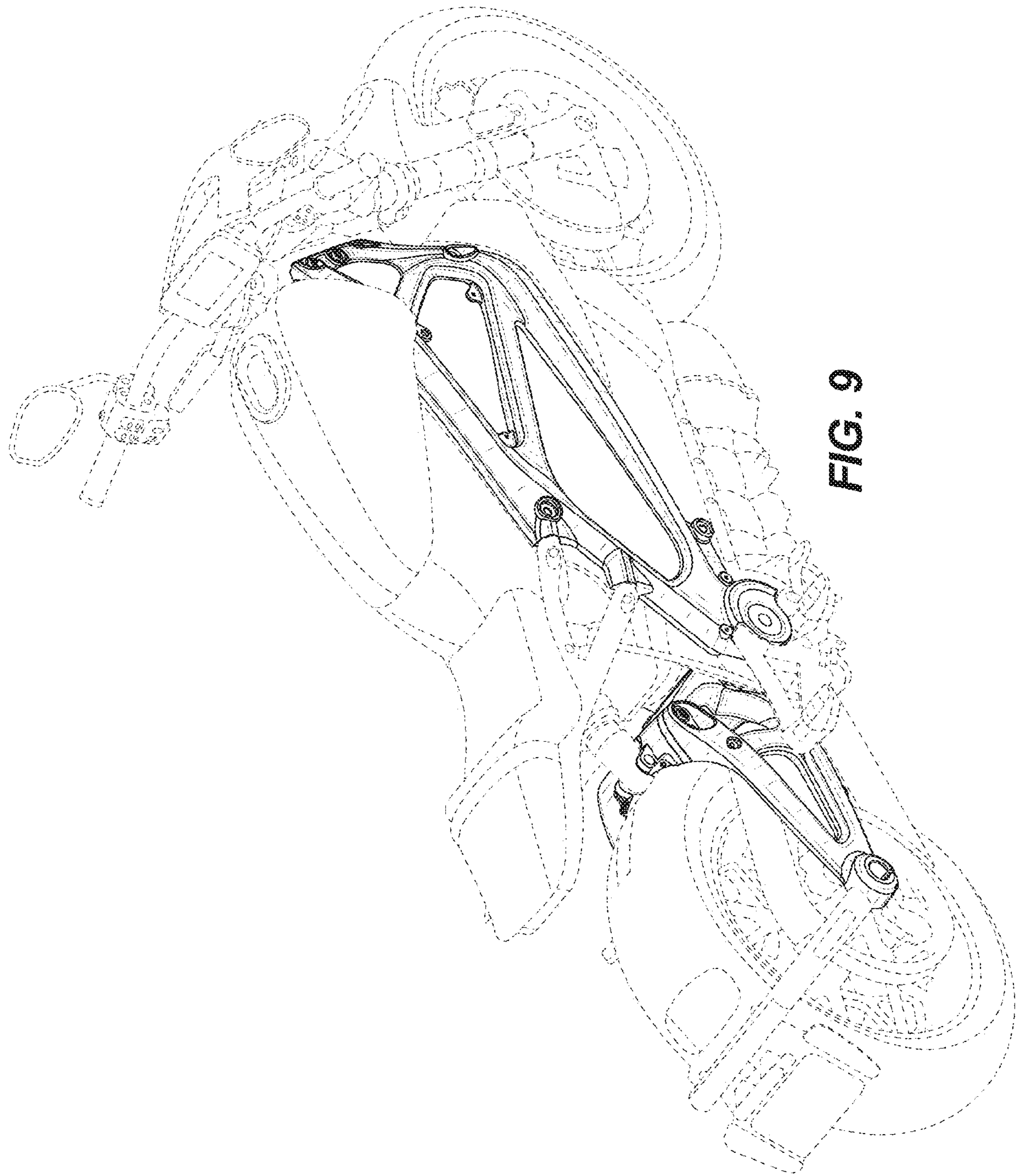


FIG. 9