



US00D887306S

(12) **United States Design Patent**
Wang

(10) **Patent No.:** **US D887,306 S**
(45) **Date of Patent:** **** Jun. 16, 2020**

(54) **DOUBLE LAYER COIL ZIPPER SLIDER**

(71) Applicant: **Genmart (Zhejiang) Zipper Corporation, Zhejiang (CN)**

(72) Inventor: **Lien-Chou Wang, New Taipei (TW)**

(73) Assignee: **Genmart (Zhejiang) Zipper Corporation, Zhejiang (CN)**

(**) Term: **15 Years**

(21) Appl. No.: **29/639,808**

(22) Filed: **Mar. 8, 2018**

(51) **LOC (12) Cl.** **02-07**

(52) **U.S. Cl.**
USPC **D11/221**

(58) **Field of Classification Search**
USPC D2/639, 705, 828, 853, 911, 946, 976;
D3/252, 285, 298, 301, 318, 324;
D8/310, 352, 367; D10/32, 38; D11/1,
D11/43, 60, 79, 80, 86, 97, 200, 201,
D11/221; D12/195, 416; D20/22, 28;
D29/122

CPC A44B 19/00; A44B 19/02; A44B 19/04;
A44B 19/06; A44B 19/08; A44B 19/10;
A44B 19/24; A44B 19/26; A44B 19/28;
A44B 19/30; A44B 19/262; A44B
19/386; A44B 19/388; A41F 1/008

See application file for complete search history.

(56) **References Cited**

U.S. PATENT DOCUMENTS

D627,258 S * 11/2010 Miyazaki D11/221
D627,683 S * 11/2010 Ynna D11/221
D651,129 S * 12/2011 Wang D11/221
D671,863 S * 12/2012 Keyaki D11/221

8,499,422 B2 * 8/2013 Jacobsen A44B 19/32
24/382
D691,918 S * 10/2013 Mio D11/221
9,545,134 B1 * 1/2017 Tan A44B 19/32
2013/0097820 A1 * 4/2013 Wang A44B 19/26
24/427
2016/0198812 A1 * 7/2016 Tan A44B 19/22
24/389
2018/0125176 A1 * 5/2018 Wang A44B 19/12

FOREIGN PATENT DOCUMENTS

EMRGN-004058253-0001 * 7/2017
EMRGN-005219094-0001 * 4/2018
EMRGN-005219094-0002 * 4/2018

* cited by examiner

Primary Examiner — Kevin K Rudzinski

Assistant Examiner — Richard Kearney

(74) *Attorney, Agent, or Firm* — Jackson IPG PLLC;
Demian K. Jackson

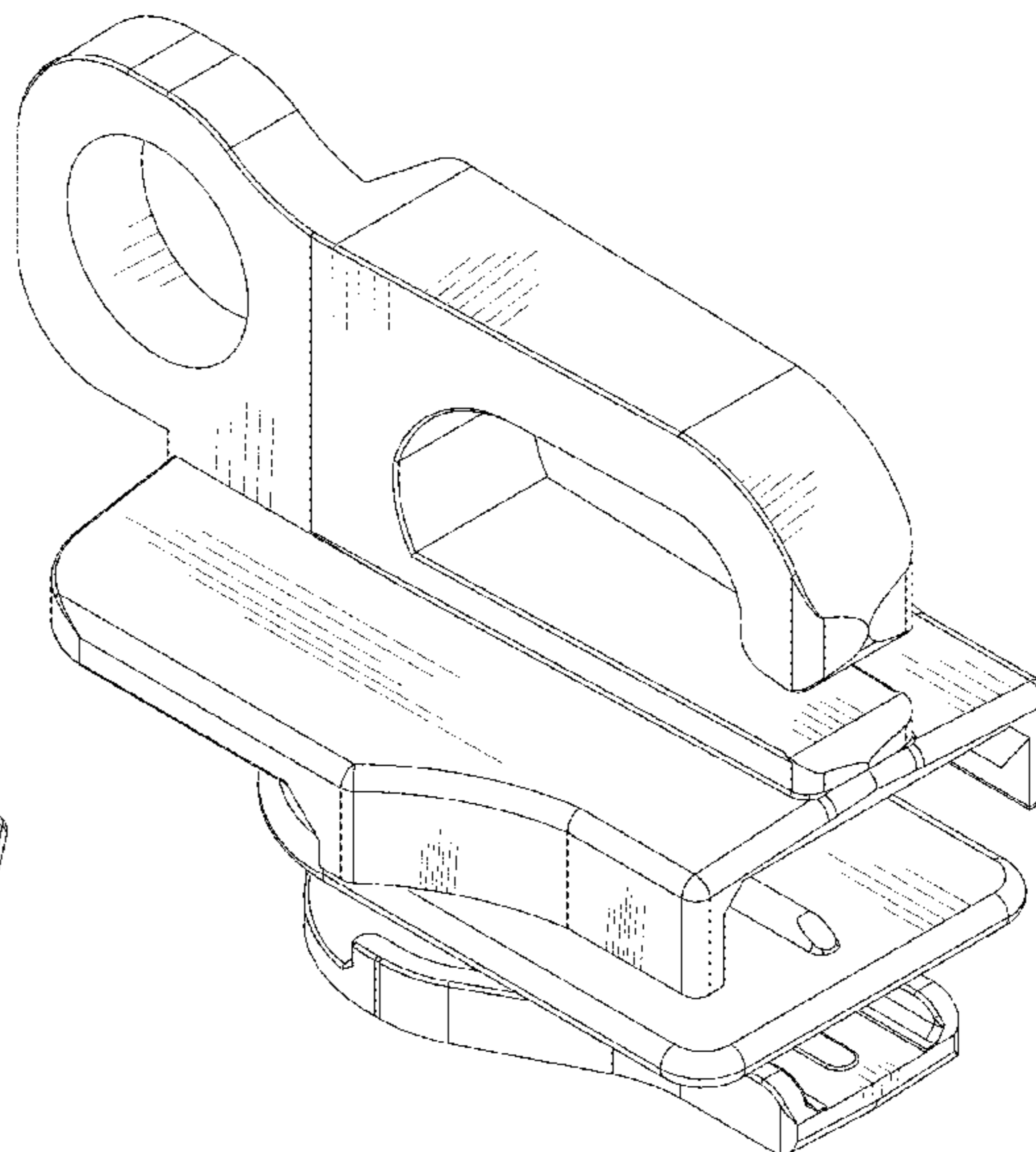
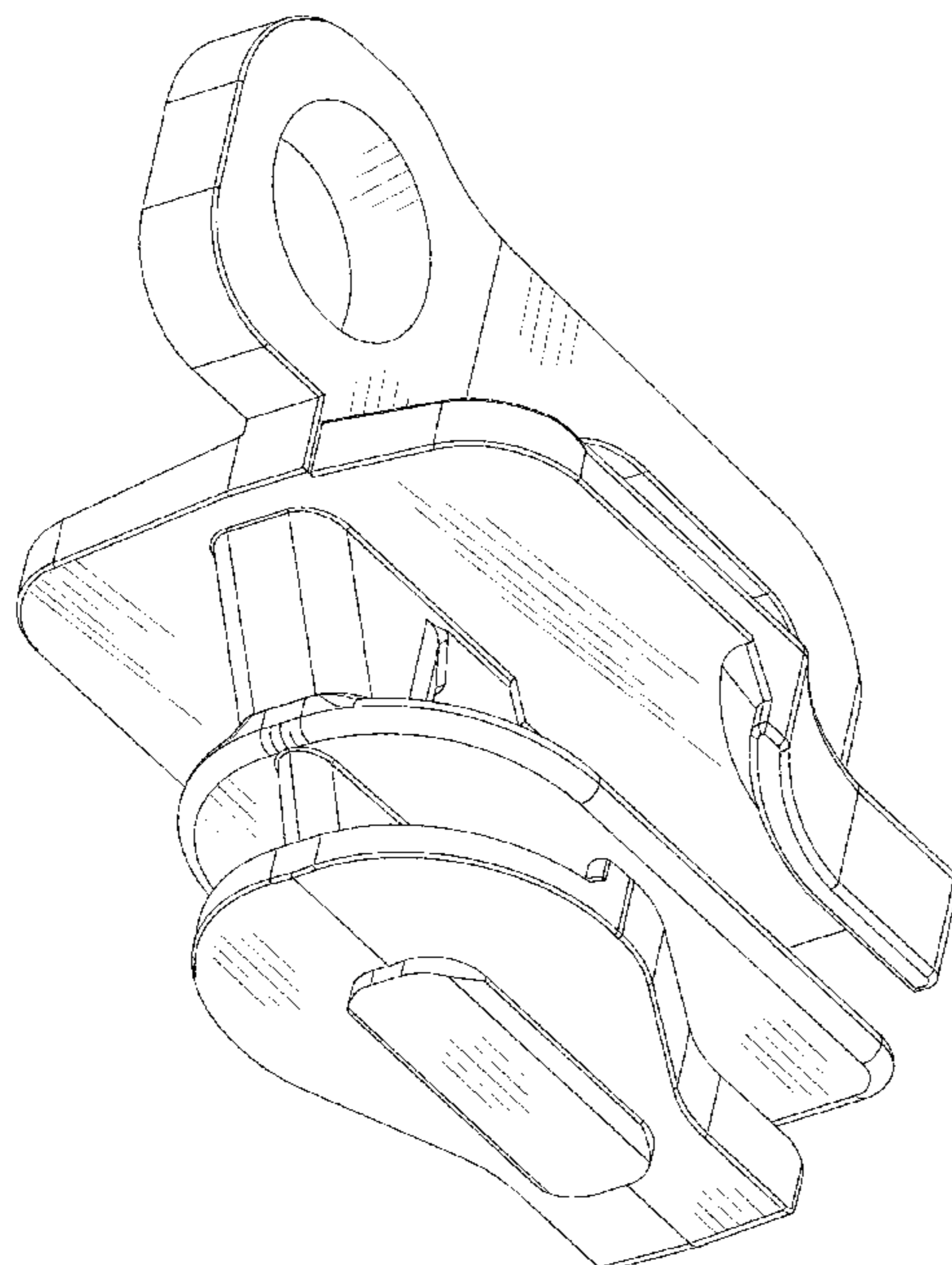
(57) **CLAIM**

The ornamental design for double layer coil zipper slider, as shown and described.

DESCRIPTION

FIG. 1 is a perspective view of a double layer coil zipper slider showing my new design;
FIG. 2 is a front elevational view thereof;
FIG. 3 is a rear elevational view thereof;
FIG. 4 is a left side elevational view thereof;
FIG. 5 is a right side elevational view thereof;
FIG. 6 is a top plan view thereof;
FIG. 7 is a bottom plan view thereof;
FIG. 8 is a second perspective view thereof; and,
FIG. 9 is a third perspective view thereof.

1 Claim, 9 Drawing Sheets



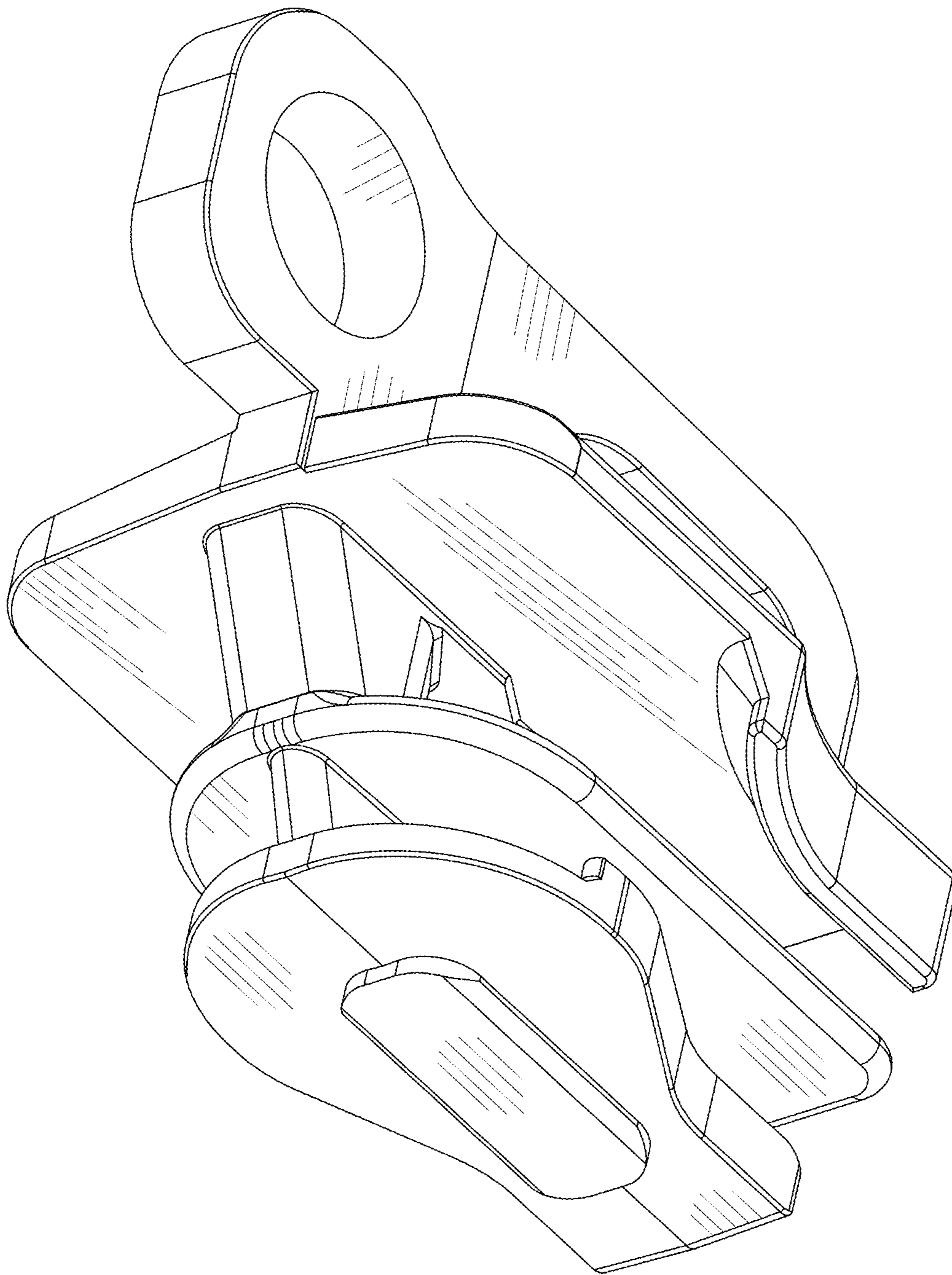


Fig. 1

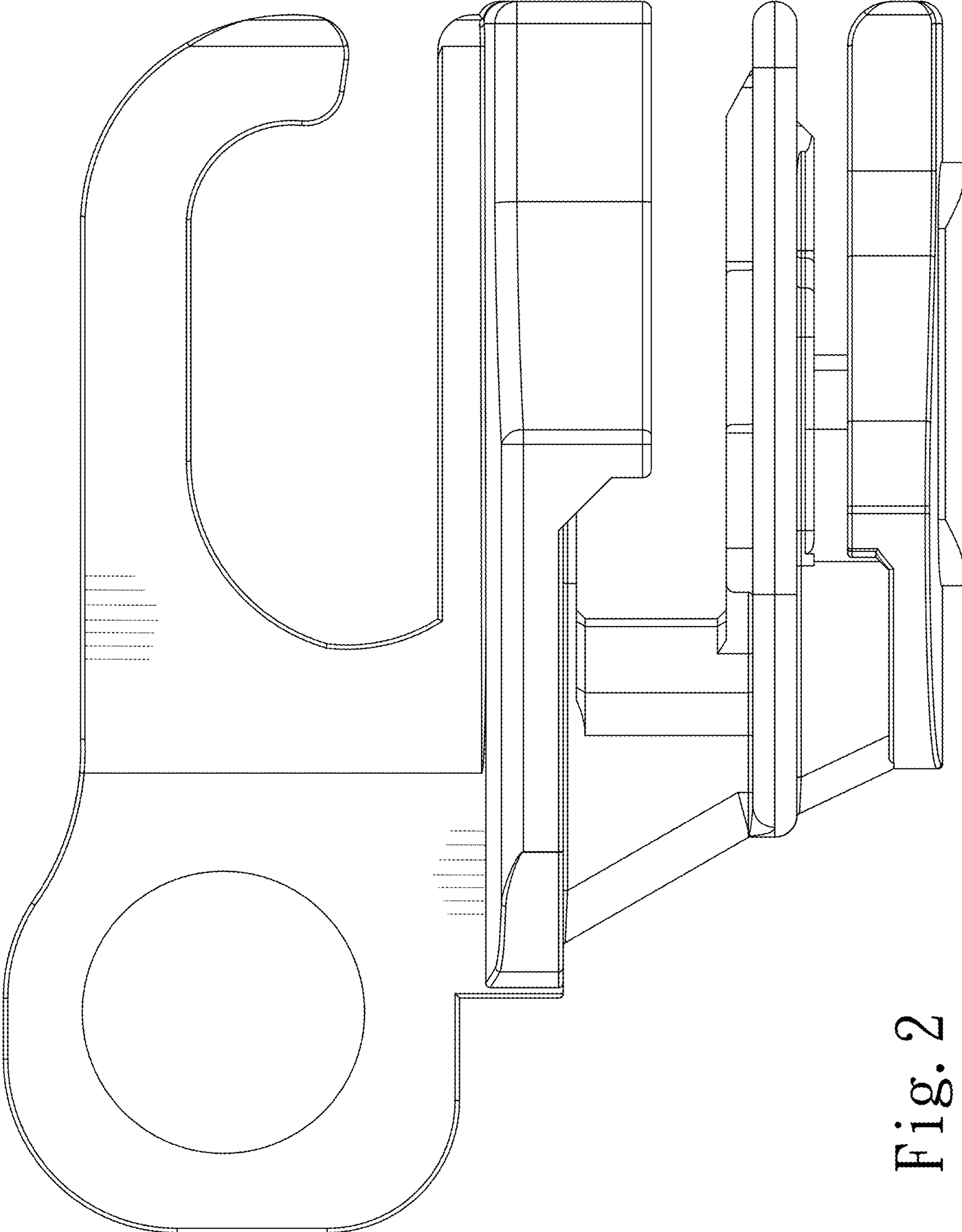


Fig. 2

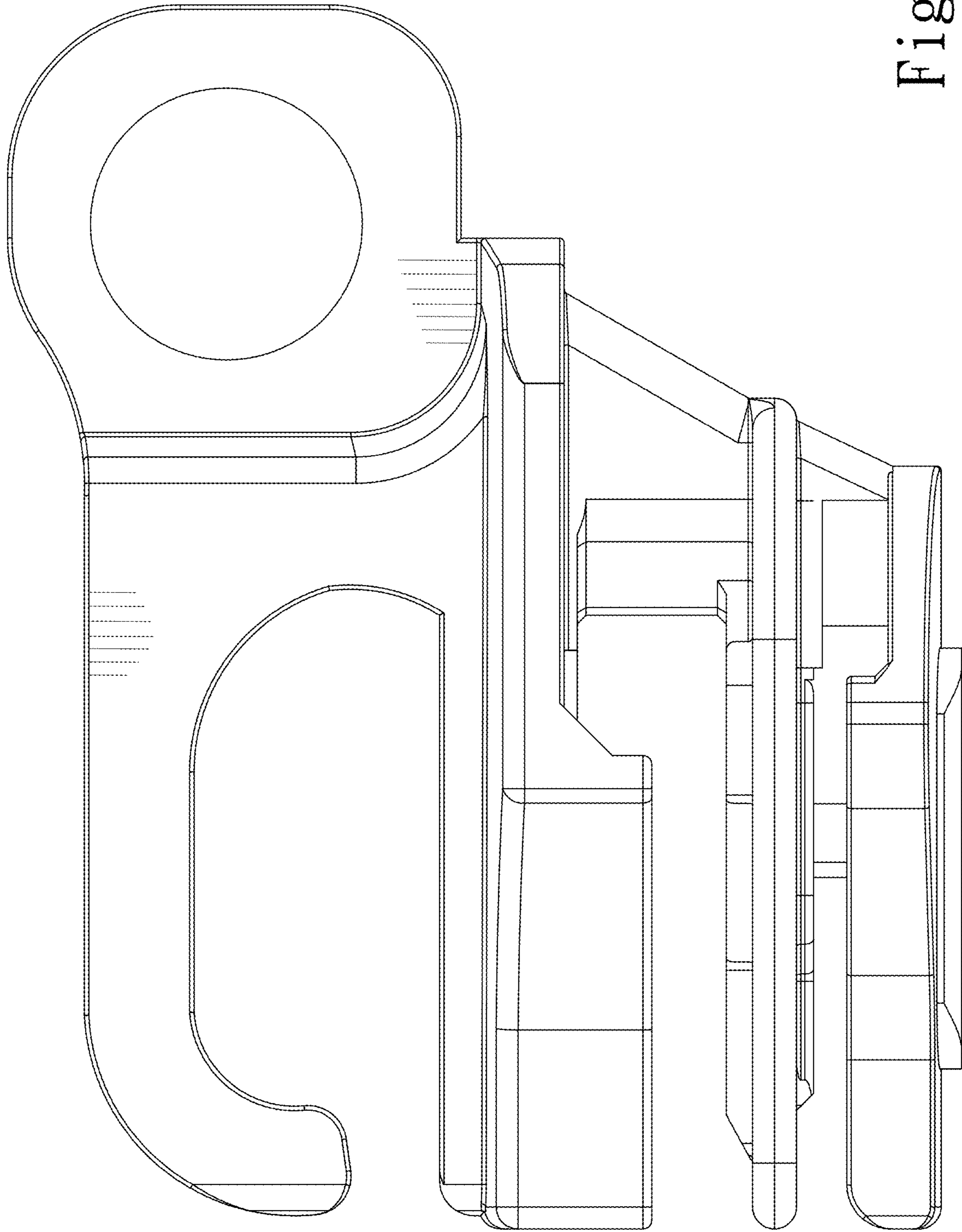


Fig. 3

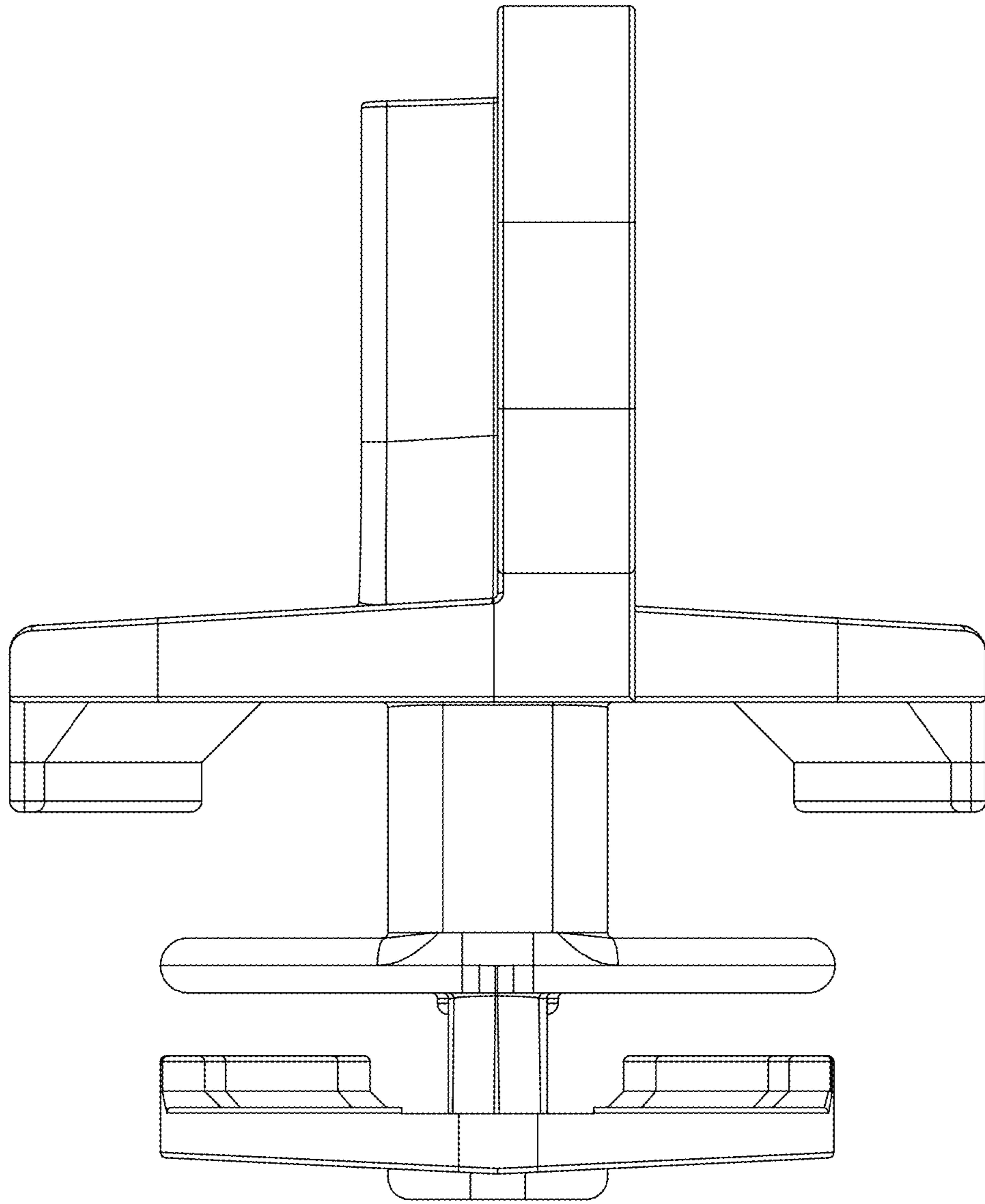


Fig. 4

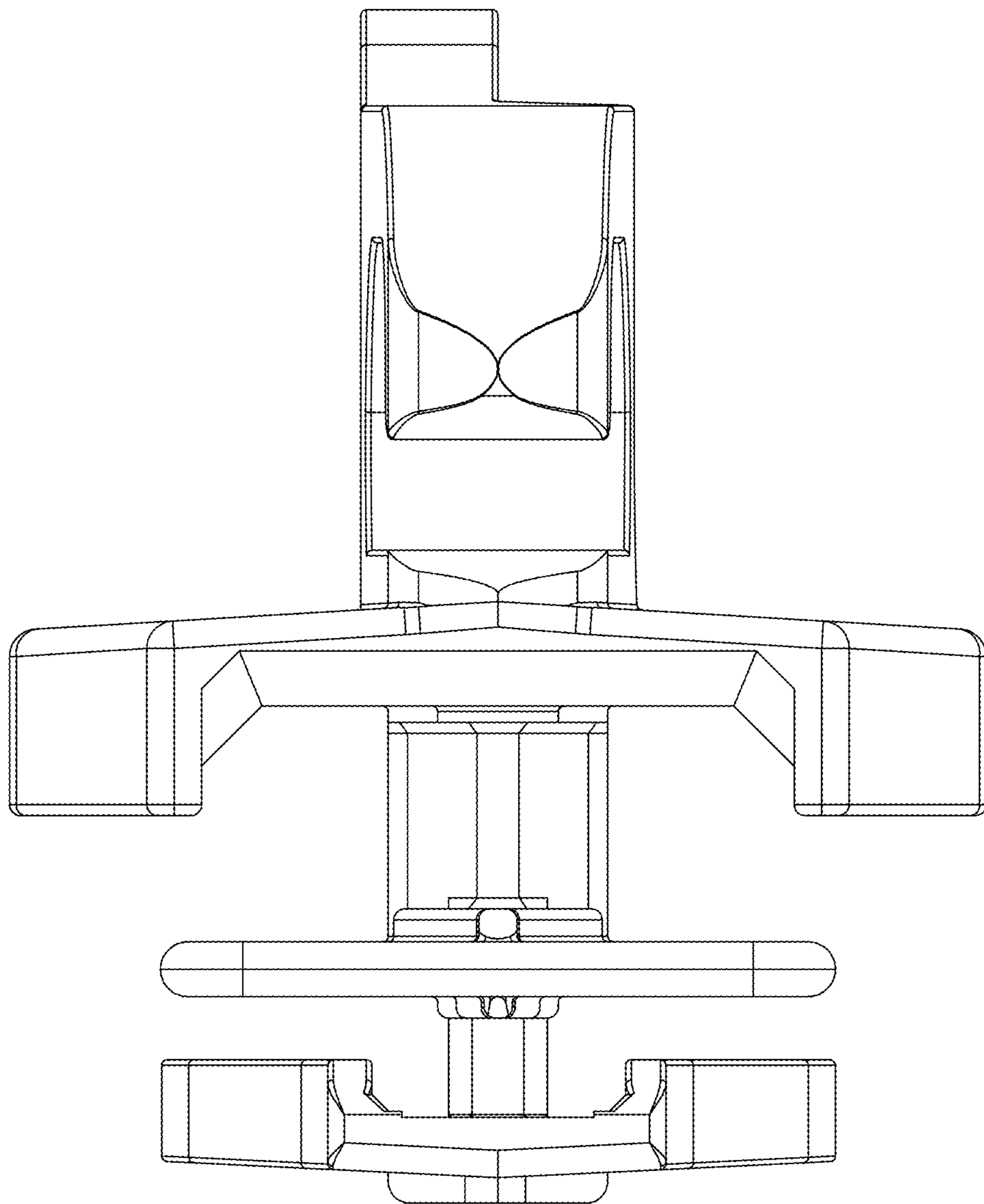


Fig. 5

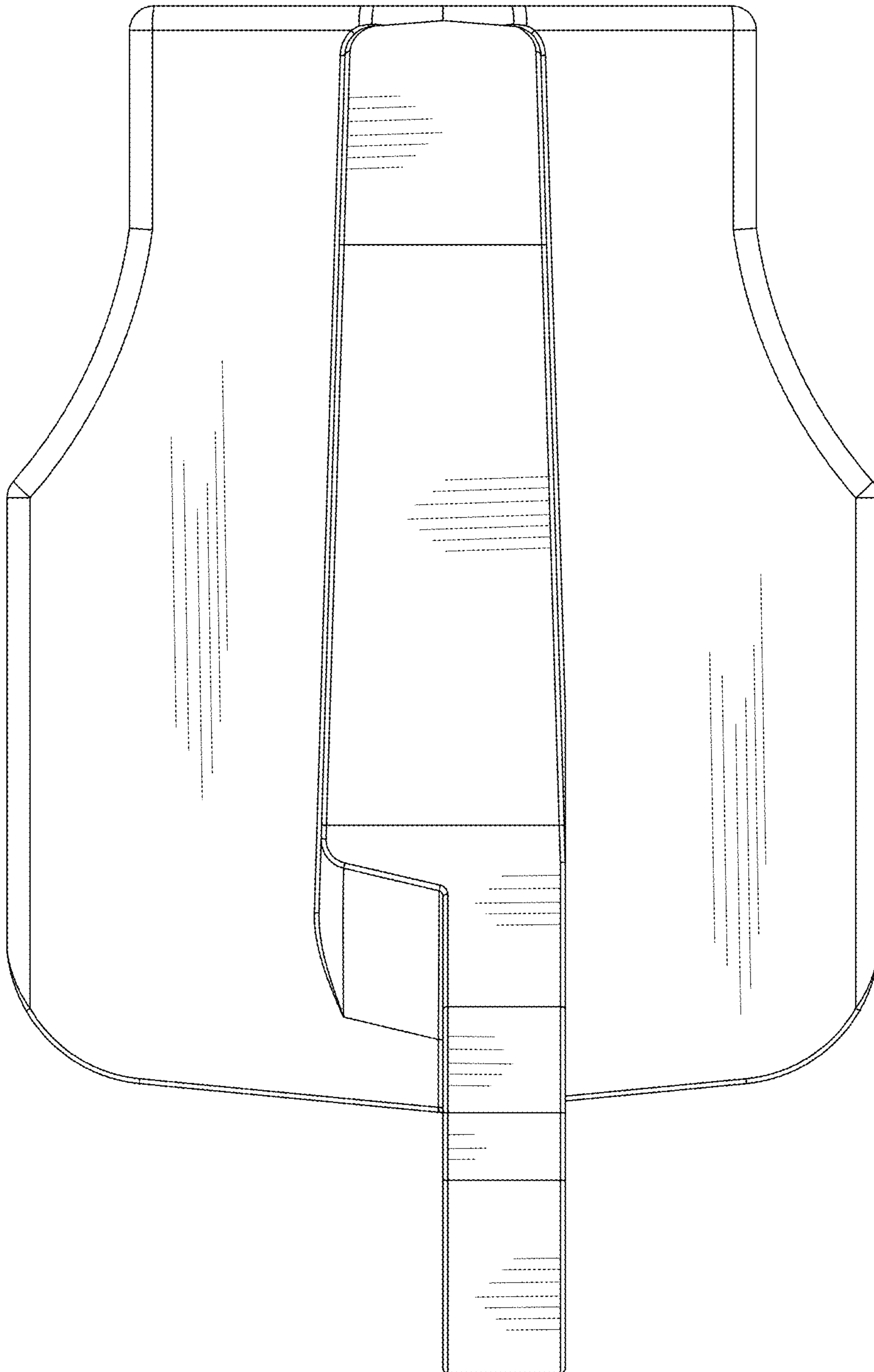


Fig. 6

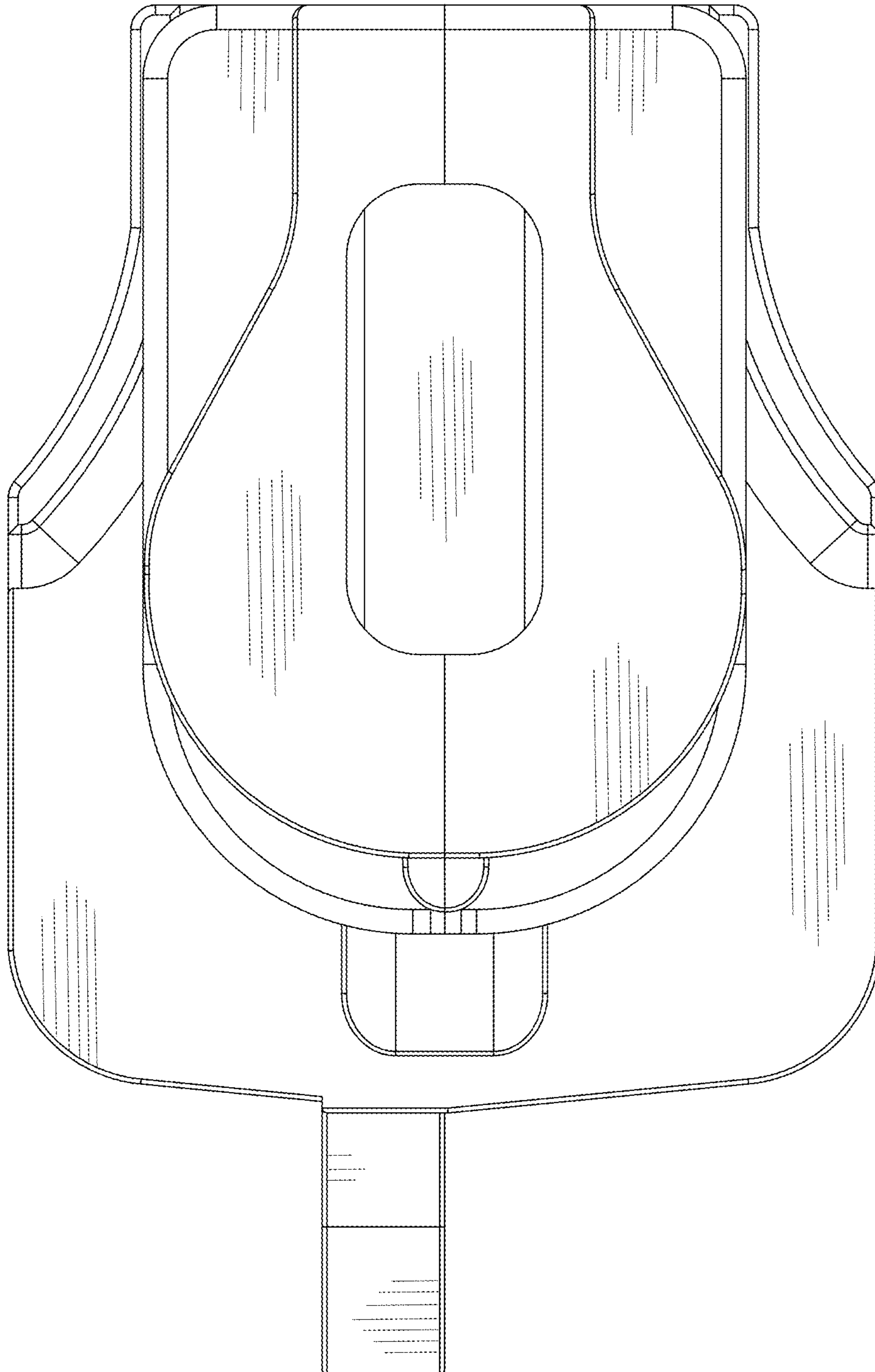


Fig. 7

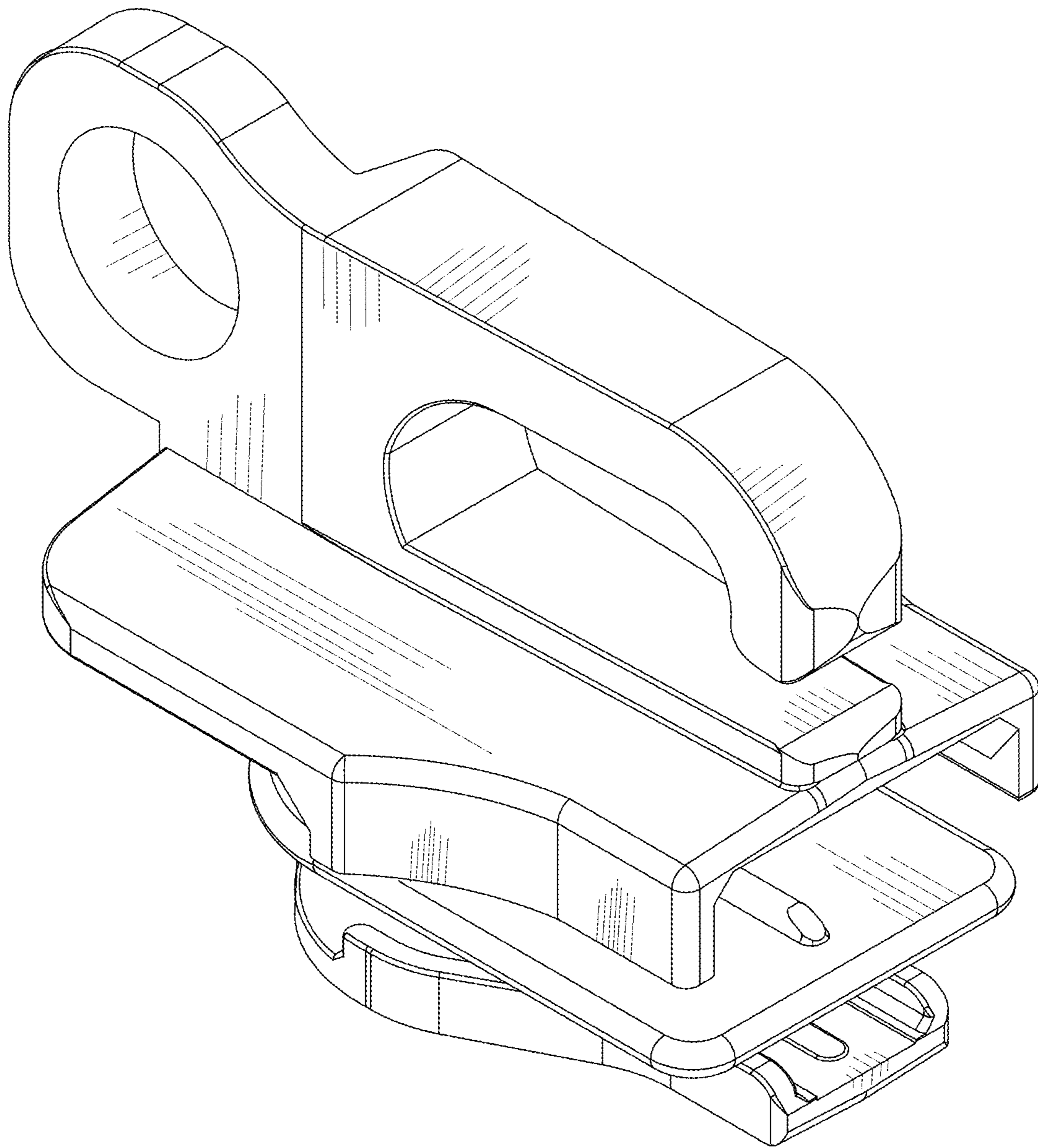


Fig. 8

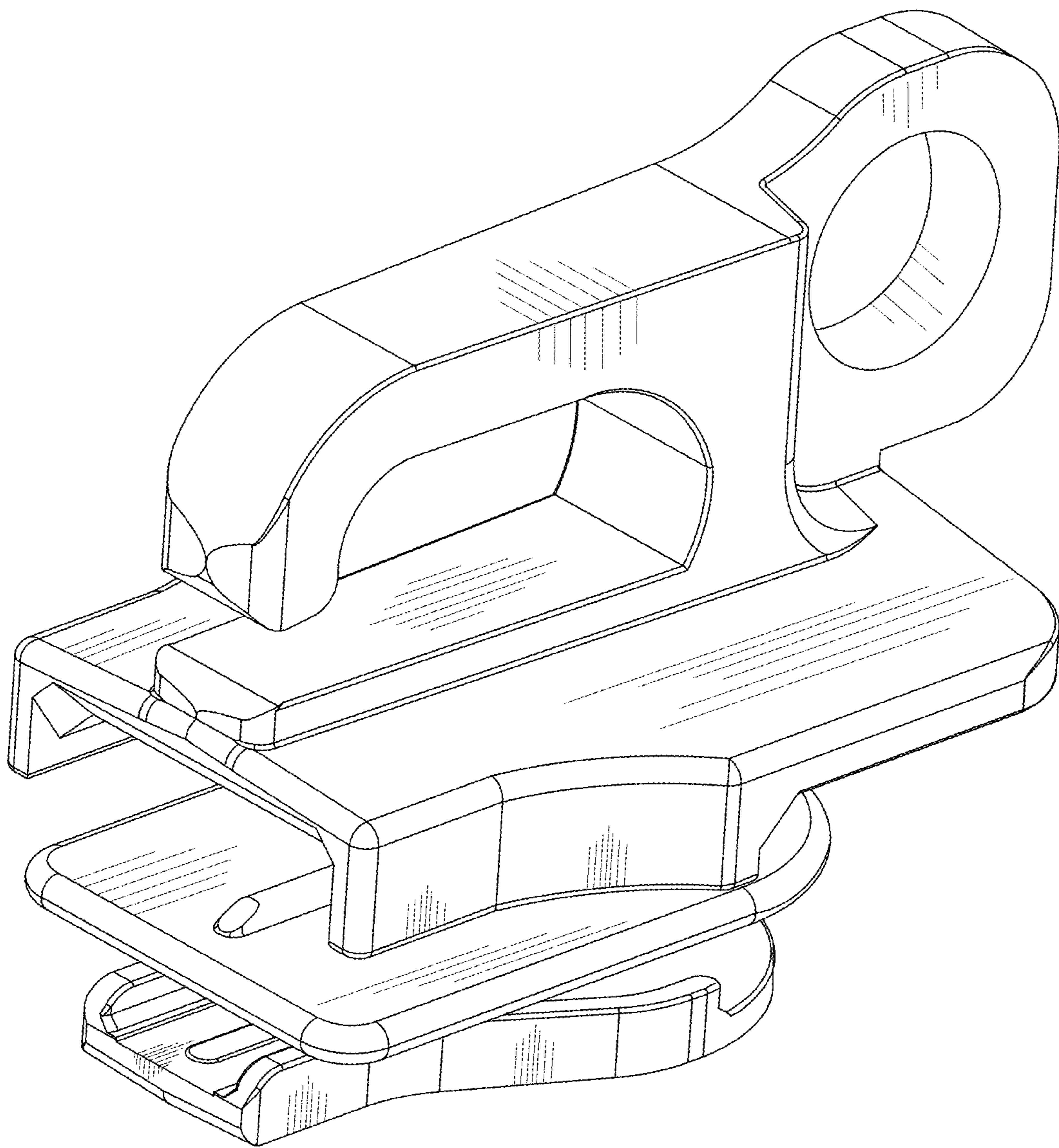


Fig. 9