



US00D887304S

(12) **United States Design Patent** (10) **Patent No.:** **US D887,304 S**
Kedia (45) **Date of Patent:** **** Jun. 16, 2020**

(54) **JEWELRY MOUNTING PLATE**
(71) Applicant: **Sakait Kedia**, Houston, TX (US)
(72) Inventor: **Sakait Kedia**, Houston, TX (US)
(**) Term: **15 Years**
(21) Appl. No.: **29/626,850**
(22) Filed: **Nov. 21, 2017**
(51) **LOC (12) Cl.** **11-01**
(52) **U.S. Cl.**
USPC **D11/86; D11/91**
(58) **Field of Classification Search**
USPC D11/1-3, 26, 34, 86, 89-92
CPC A44C 1/00; A44C 17/00; A44C 17/001;
A44C 17/002; A44C 17/005; A44C
17/006; A44C 17/007; A44C 17/008;
A44C 17/02; A44C 17/0208; A44C
17/0241; A44C 17/04; A44C 25/00; A44C
25/001; A44C 25/007; A44C 9/00; A44C
9/0084
See application file for complete search history.

D337,069 S * 7/1993 Chia D11/6
D337,070 S * 7/1993 Chia D11/6
D704,590 S * 5/2014 Liao D11/86
D728,412 S * 5/2015 Dobashi D11/91
D732,419 S * 6/2015 Wong D11/86
D748,523 S * 2/2016 Vartanian D11/26
D751,939 S * 3/2016 Vartanian D11/1
D791,012 S * 7/2017 Krainz D11/34
D798,188 S * 9/2017 Wong D11/92
D829,125 S * 9/2018 Bhansali D11/91
D834,440 S * 11/2018 Hawkins D11/4
D840,866 S * 2/2019 Parikh D11/91
D851,534 S * 6/2019 Bhosale D11/91
D851,536 S * 6/2019 Bhosale D11/91
D867,920 S * 11/2019 O'Connell D11/86
2019/0021459 A1* 1/2019 Lin A44C 17/04
2019/0298012 A1* 10/2019 Das A44C 17/02

* cited by examiner

Primary Examiner — Llorellys Martinez
(74) *Attorney, Agent, or Firm* — D'Ambrosio & Menon,
PLLC; Usha Menon

(57) **CLAIM**

The ornamental design for a jewelry mounting plate, as shown and described.

DESCRIPTION

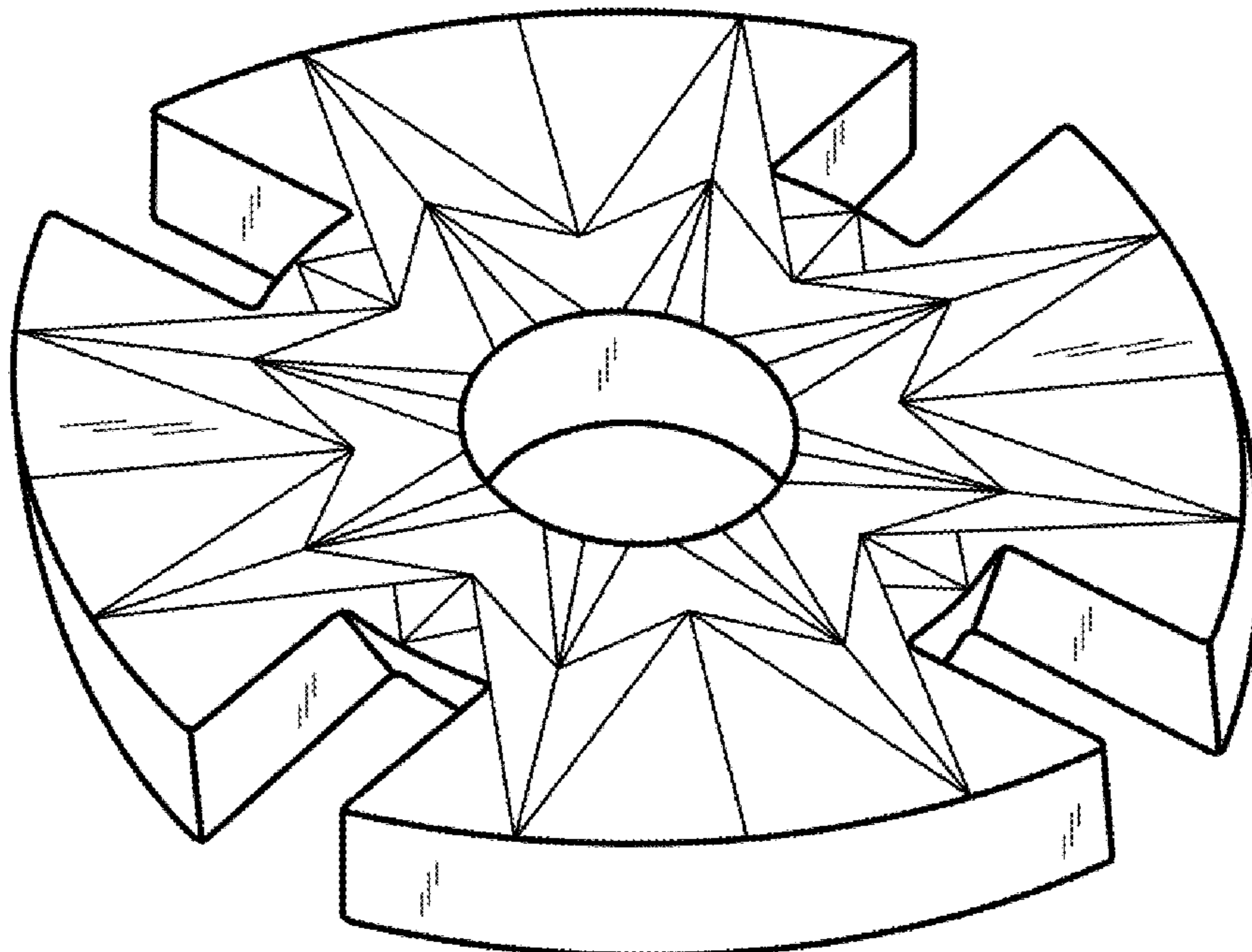
FIG. 1 is a top perspective view of a jewelry mounting plate, showing my new design;
FIG. 2 is a top plan view thereof;
FIG. 3 is a bottom plan view thereof;
FIG. 4 is a bottom perspective view thereof; and,
FIG. 5 is another top perspective view thereof, showing the jewelry mounting plate in an alternate configuration of use. The broken lines in the drawings illustrate environmental subject matter only and form no part of the claimed design.

1 Claim, 5 Drawing Sheets

(56) **References Cited**

U.S. PATENT DOCUMENTS

D54,976 S * 4/1920 Wittstein D11/91
D57,217 S * 3/1921 Eliasoff D11/92
D58,307 S * 7/1921 Davidson D11/90
D62,268 S * 4/1923 Stern D11/90
D246,636 S * 12/1977 Cone D11/86
D266,233 S * 9/1982 Governali D11/1
D329,026 S * 9/1992 Chia D11/12
D335,639 S * 5/1993 Chia D11/6
D336,057 S * 6/1993 Chia D11/6
D336,060 S * 6/1993 Chia D11/6



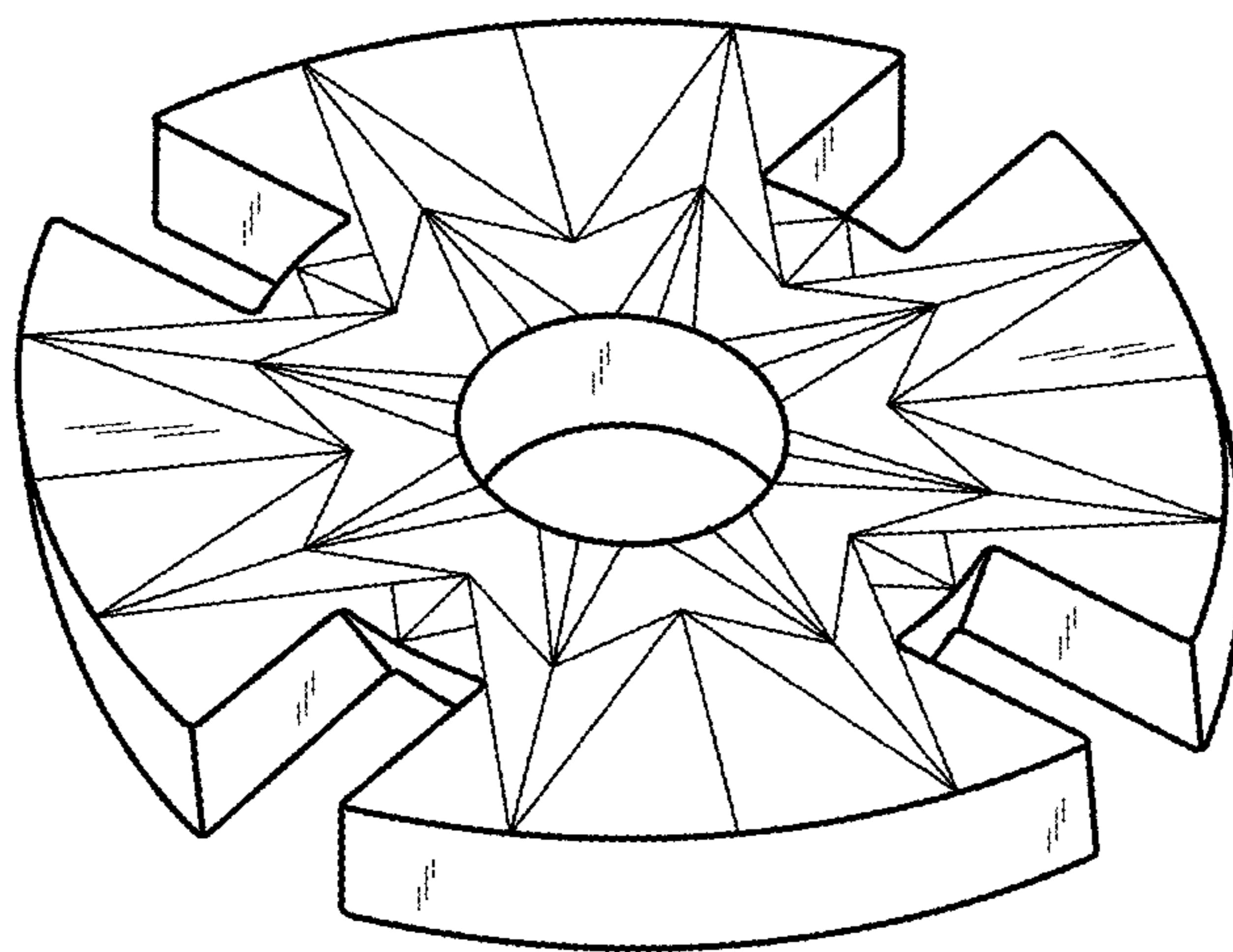


FIG. 1

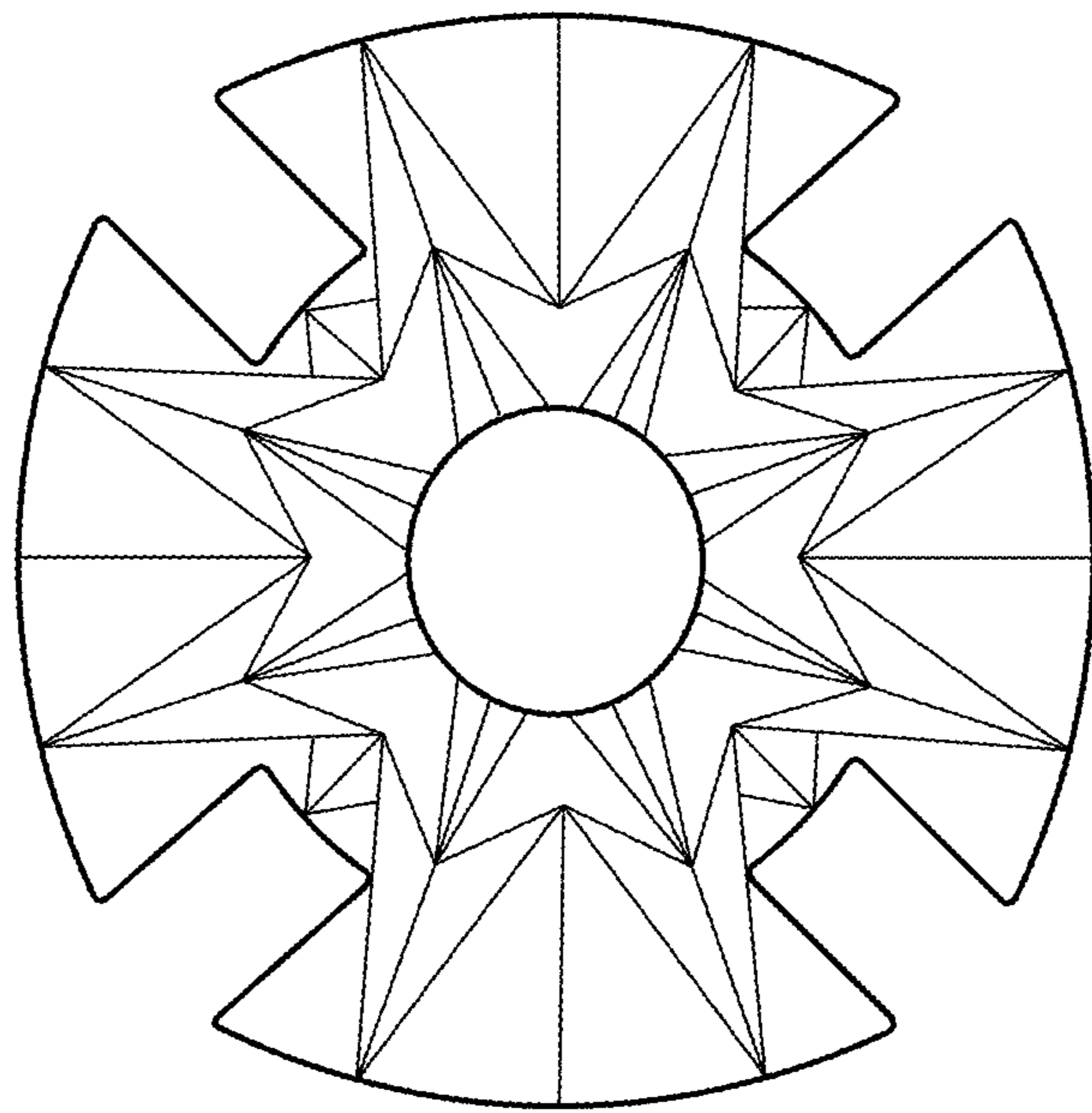


FIG. 2

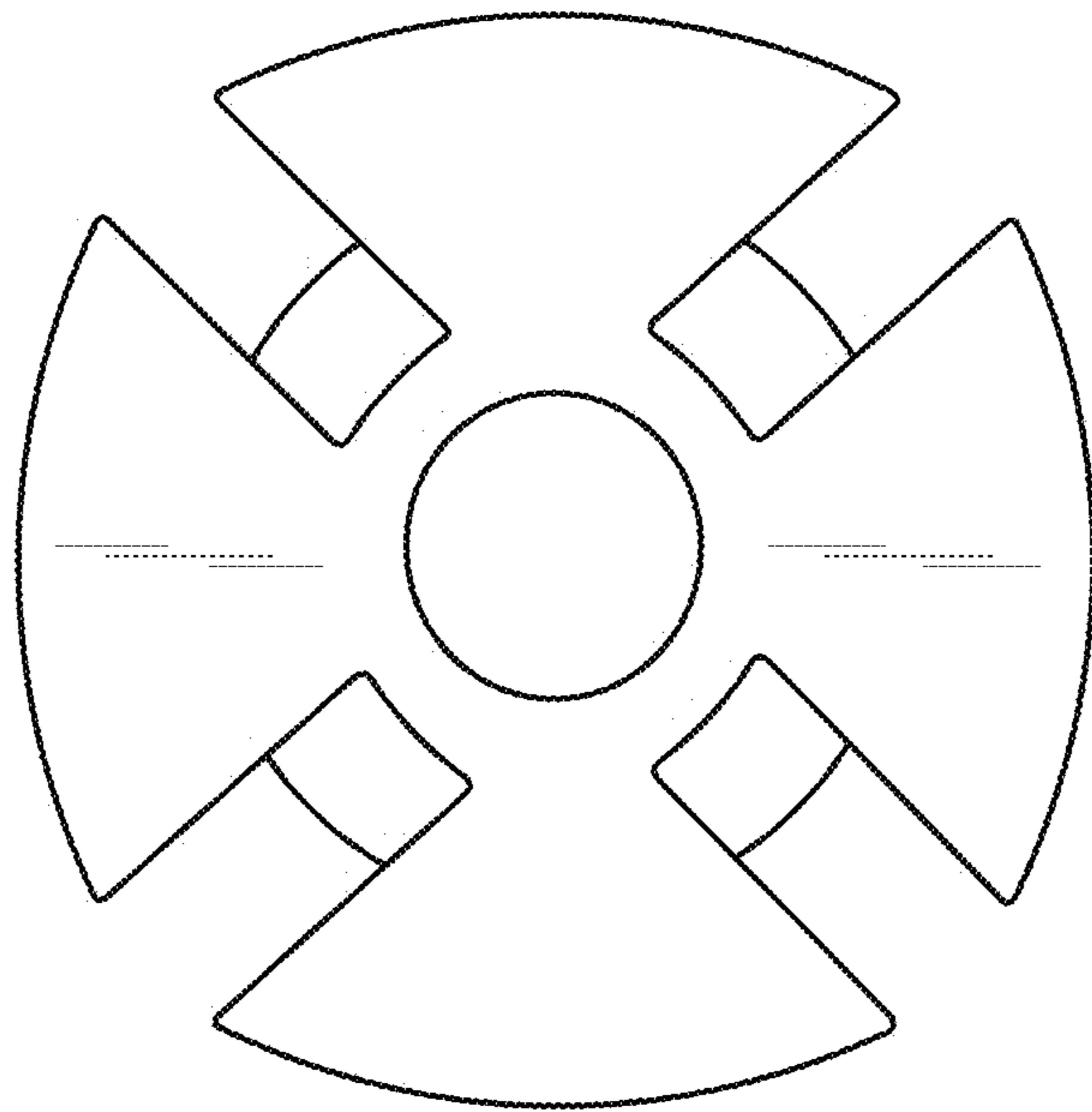


FIG. 3

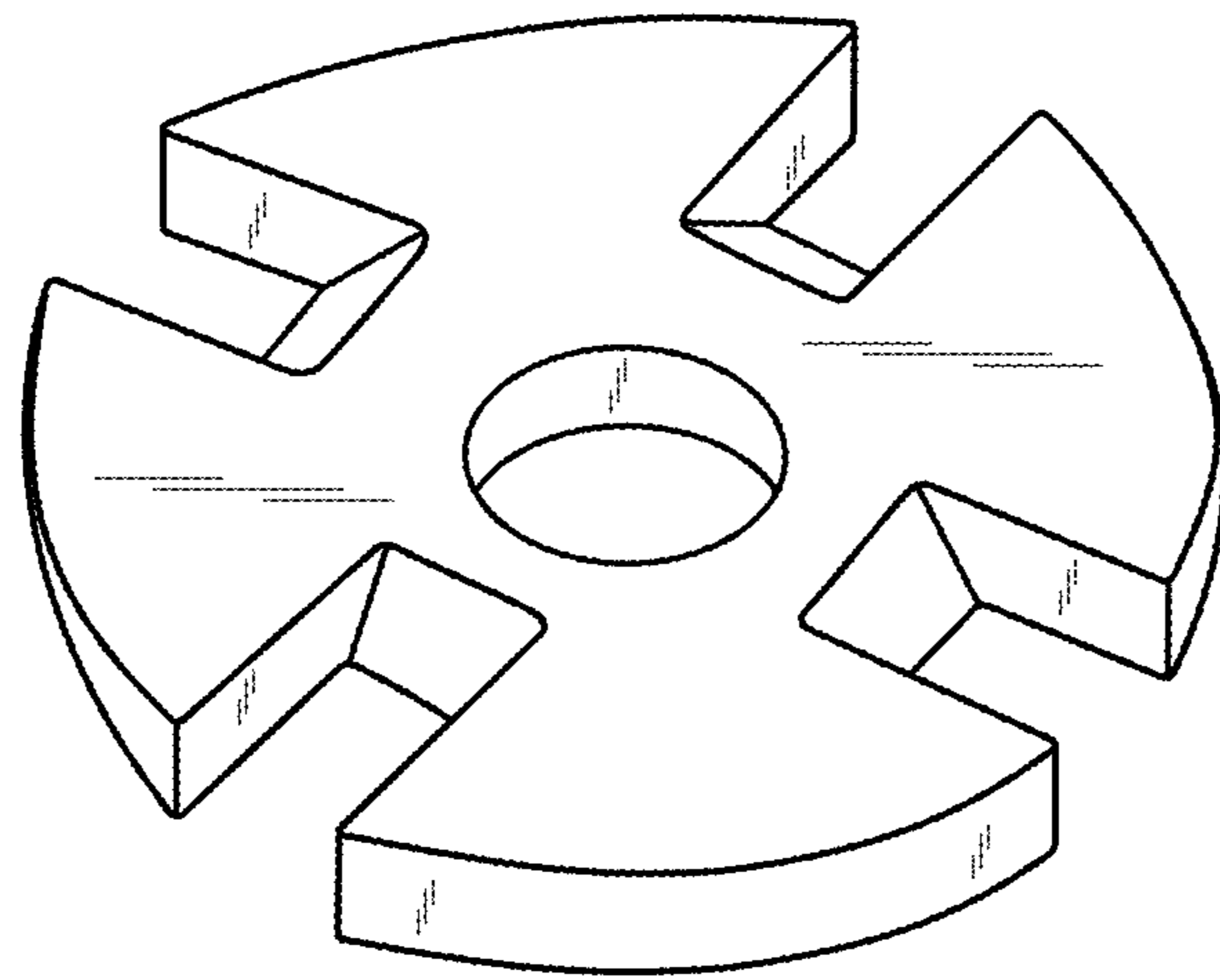


FIG. 4

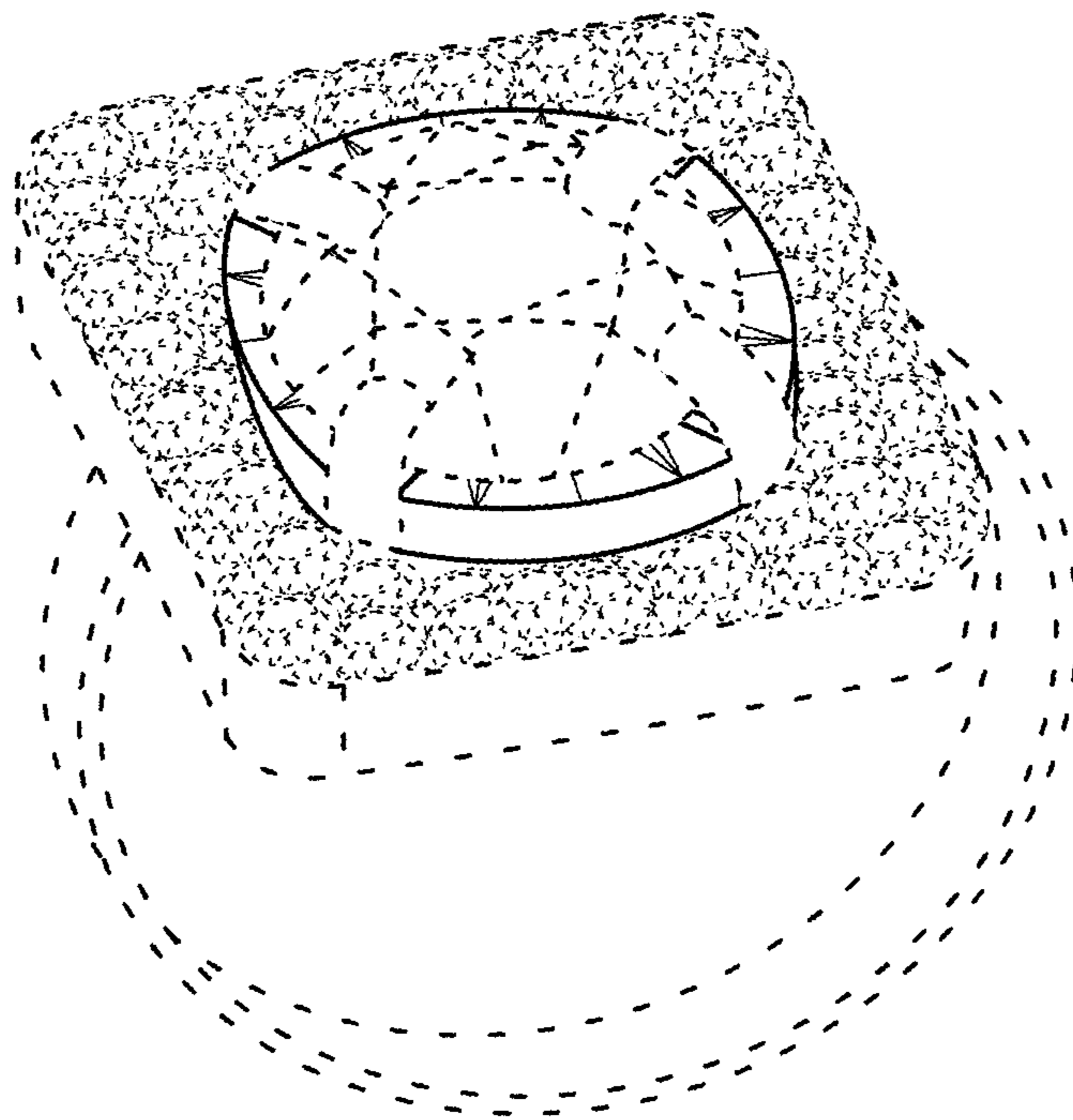


FIG. 5