



US00D887302S

(12) **United States Design Patent**
Bennett

(10) **Patent No.:** **US D887,302 S**
(45) **Date of Patent:** **** Jun. 16, 2020**

- (54) **WRISTBAND WHISTLE**
- (71) Applicant: **That's Bennett Business, LLC**,
Deland, FL (US)
- (72) Inventor: **Alfred Bennett**, Deland, FL (US)
- (**) Term: **15 Years**
- (21) Appl. No.: **29/669,180**
- (22) Filed: **Nov. 6, 2018**
- (51) **LOC (12) Cl.** **10-05**
- (52) **U.S. Cl.**
USPC **D10/119.3**
- (58) **Field of Classification Search**
USPC D10/119.3
CPC G10K 5/00
See application file for complete search history.

D621,290 S *	8/2010	Foxcroft	G10K 5/00
				D10/119.3
8,028,642 B2 *	10/2011	Foxcroft	G10K 5/00
				116/137 R
9,514,731 B2 *	12/2016	Miller	G10K 5/00
9,721,554 B2 *	8/2017	Coutlee	G10K 5/00
D800,596 S	10/2017	Ling et al.		
9,901,148 B2	2/2018	Steve		
9,986,789 B2	6/2018	Blackman et al.		
2018/0071466 A1	3/2018	White		

* cited by examiner

Primary Examiner — George D. Kirschbaum
(74) *Attorney, Agent, or Firm* — Lori Sandman, Esq.

(57) **CLAIM**

The ornamental design for a wristband whistle, as shown and described.

DESCRIPTION

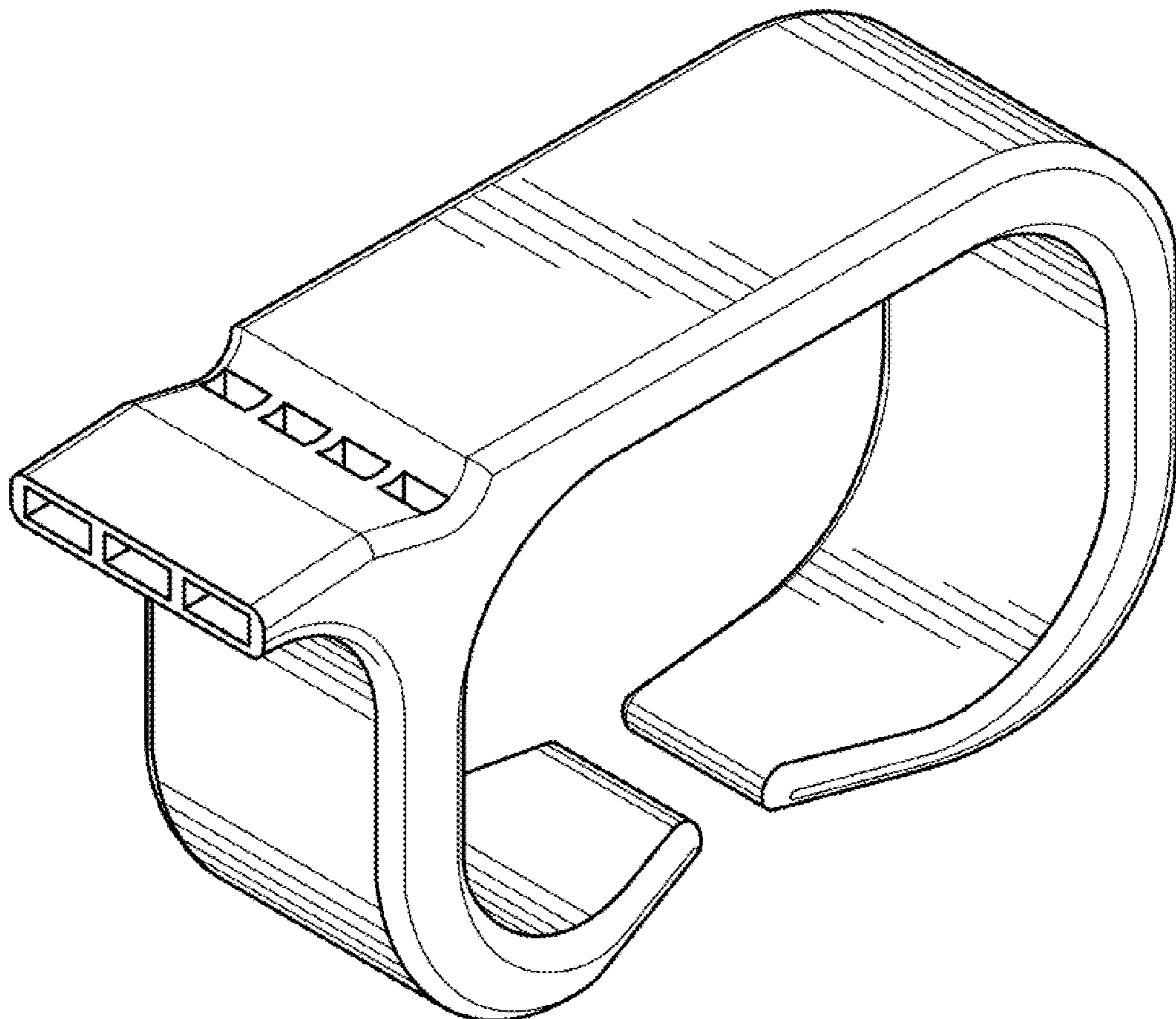
FIG. 1 is a perspective drawing of the claimed wristband whistle, showing the new design.
 FIG. 2 is a top view of the claimed wristband whistle.
 FIG. 3 is a left side view of the claimed wristband whistle.
 FIG. 4 is a right side view of the claimed wristband whistle; the right side view is a mirror image of the left side.
 FIG. 5 is a bottom view of the claimed wristband whistle.
 FIG. 6 is a front view of the claimed wristband whistle; and,
 FIG. 7 is a back view of the claimed wristband whistle.

(56) **References Cited**

U.S. PATENT DOCUMENTS

D199,878 S *	12/1964	Mulligan	D10/119.3
4,392,325 A *	7/1983	Woronets	G10K 5/00
				446/204
D420,616 S	2/2000	Saloom		
6,416,379 B1 *	7/2002	Topman	G10K 5/00
				24/302

1 Claim, 1 Drawing Sheet



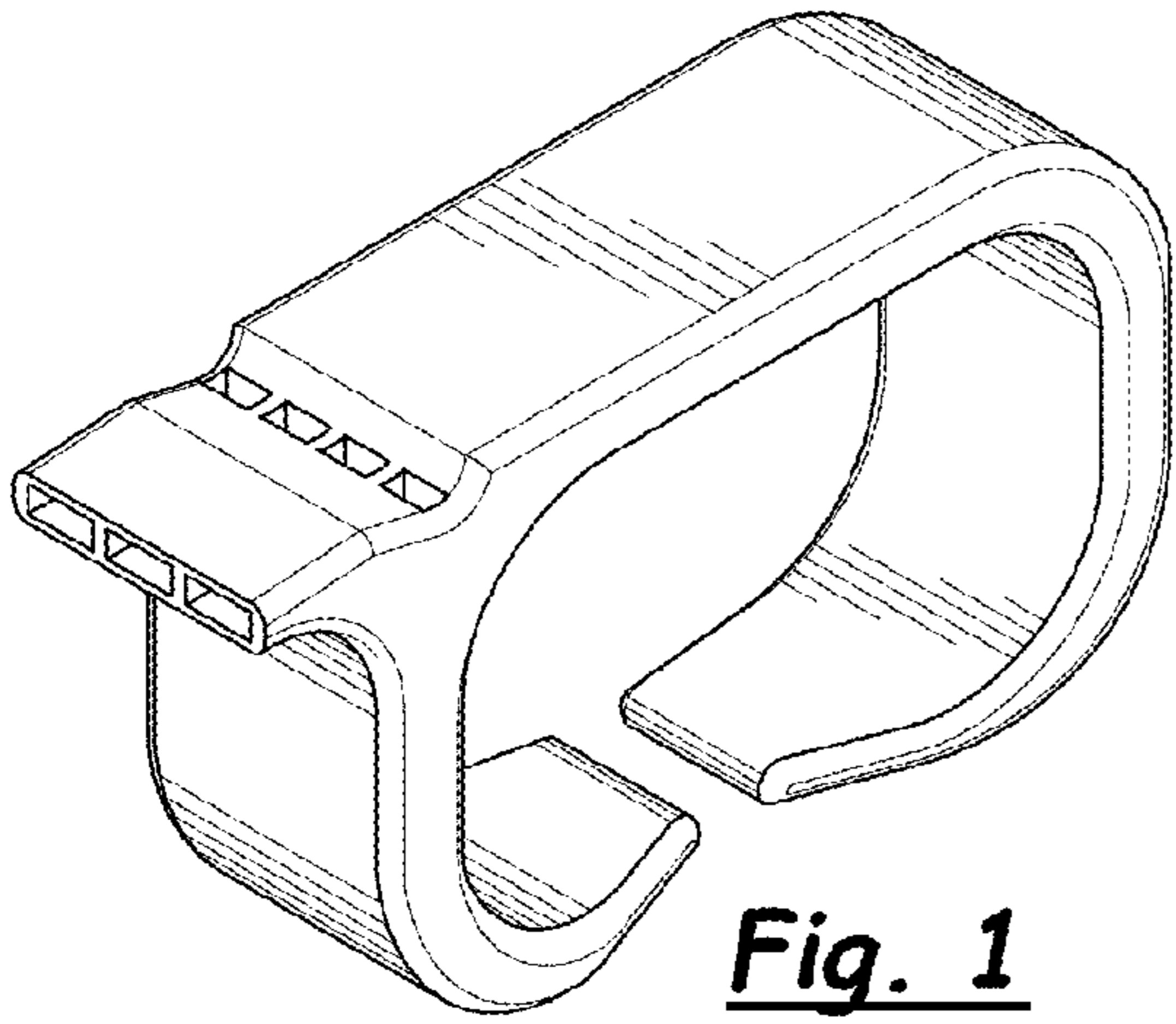


Fig. 1

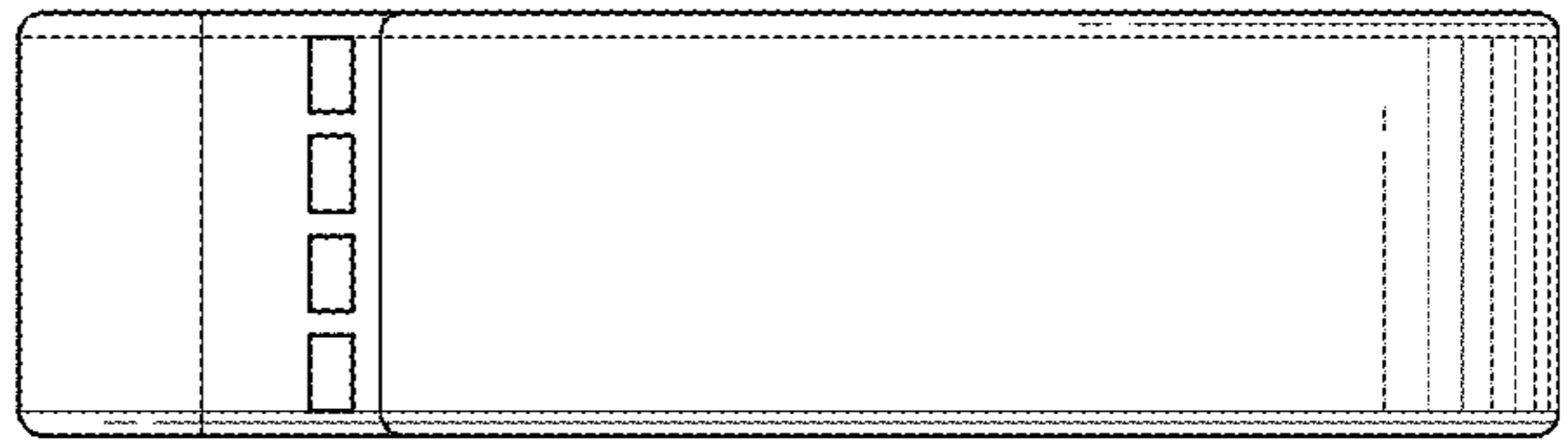


Fig. 2

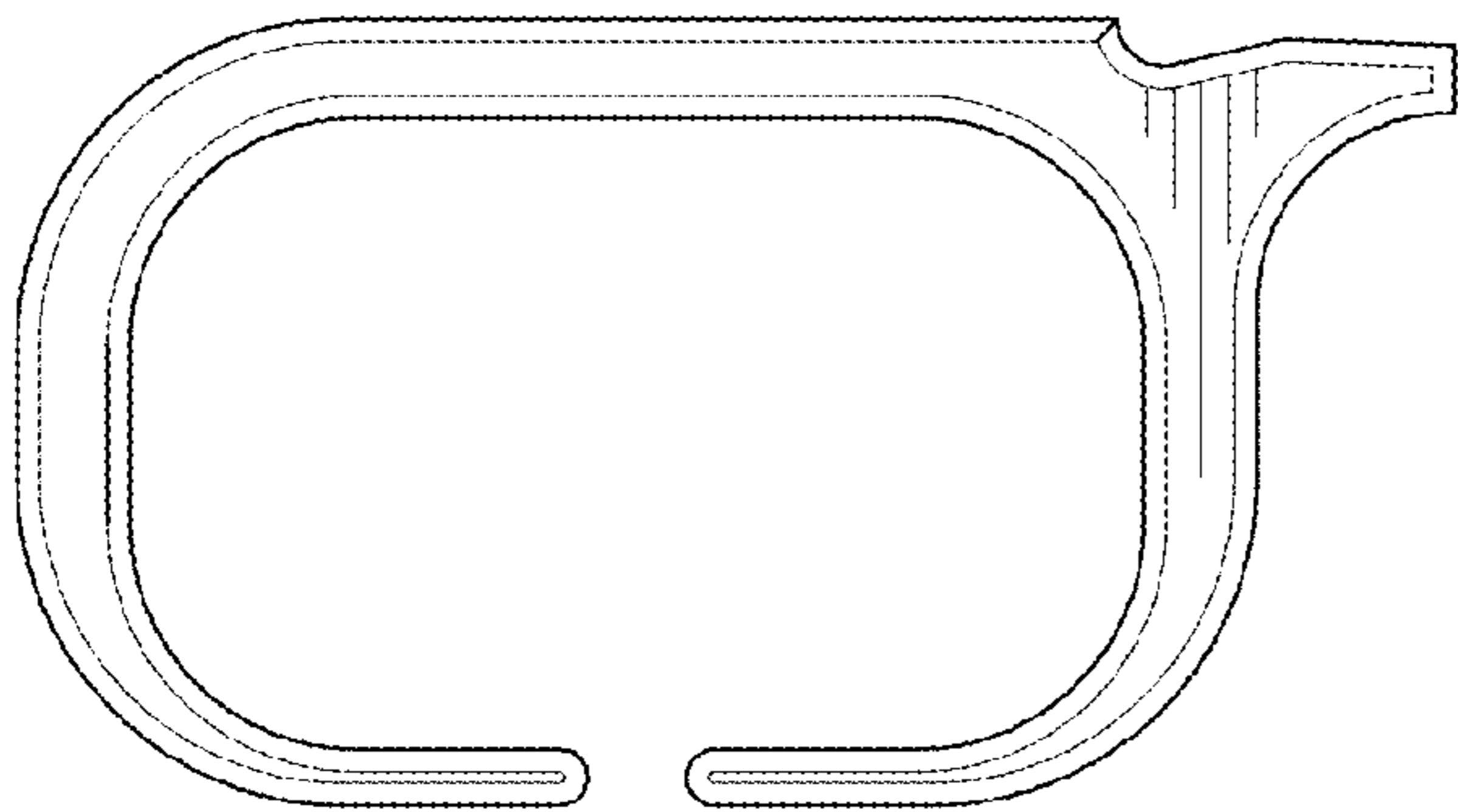


Fig. 4

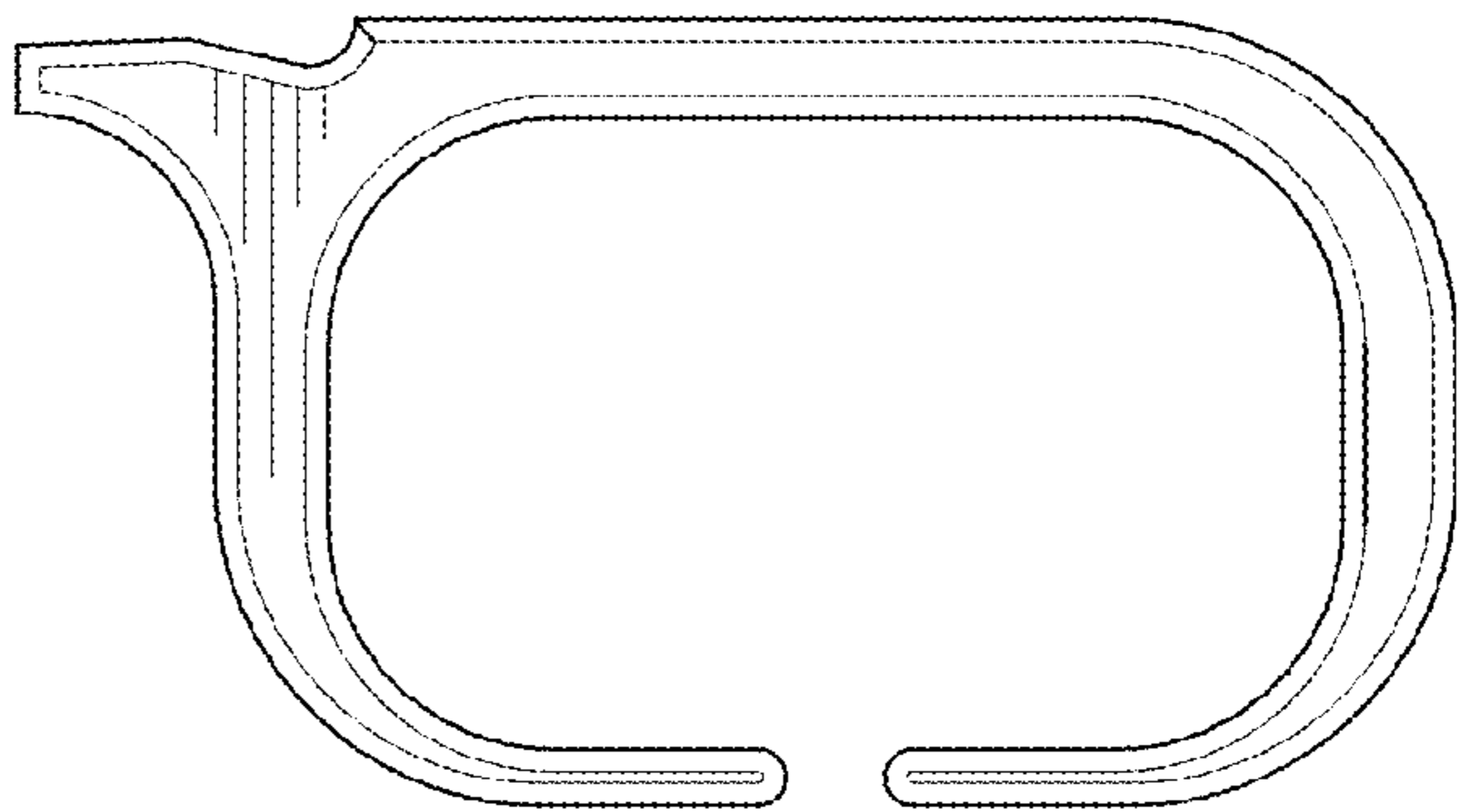


Fig. 3

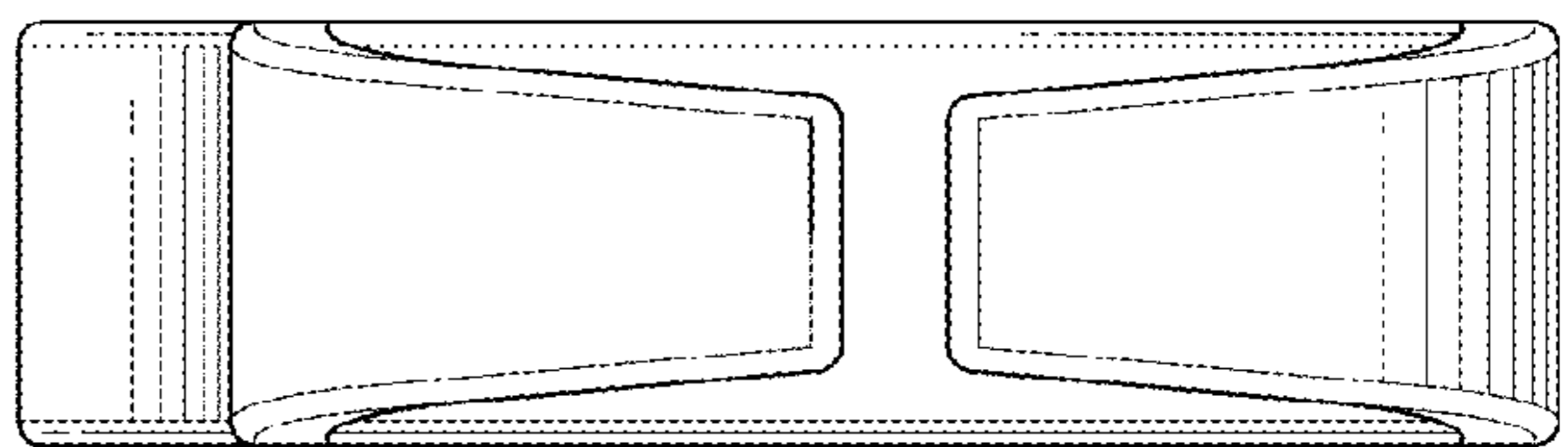


Fig. 5

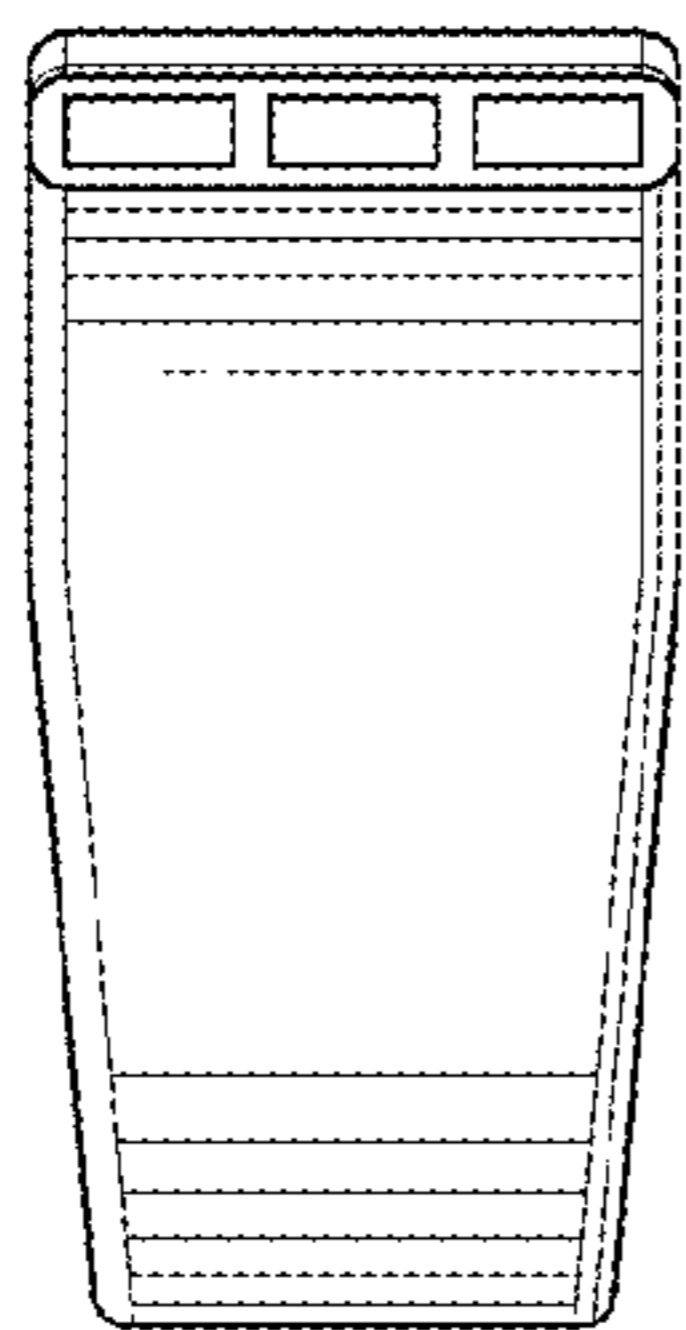


Fig. 6

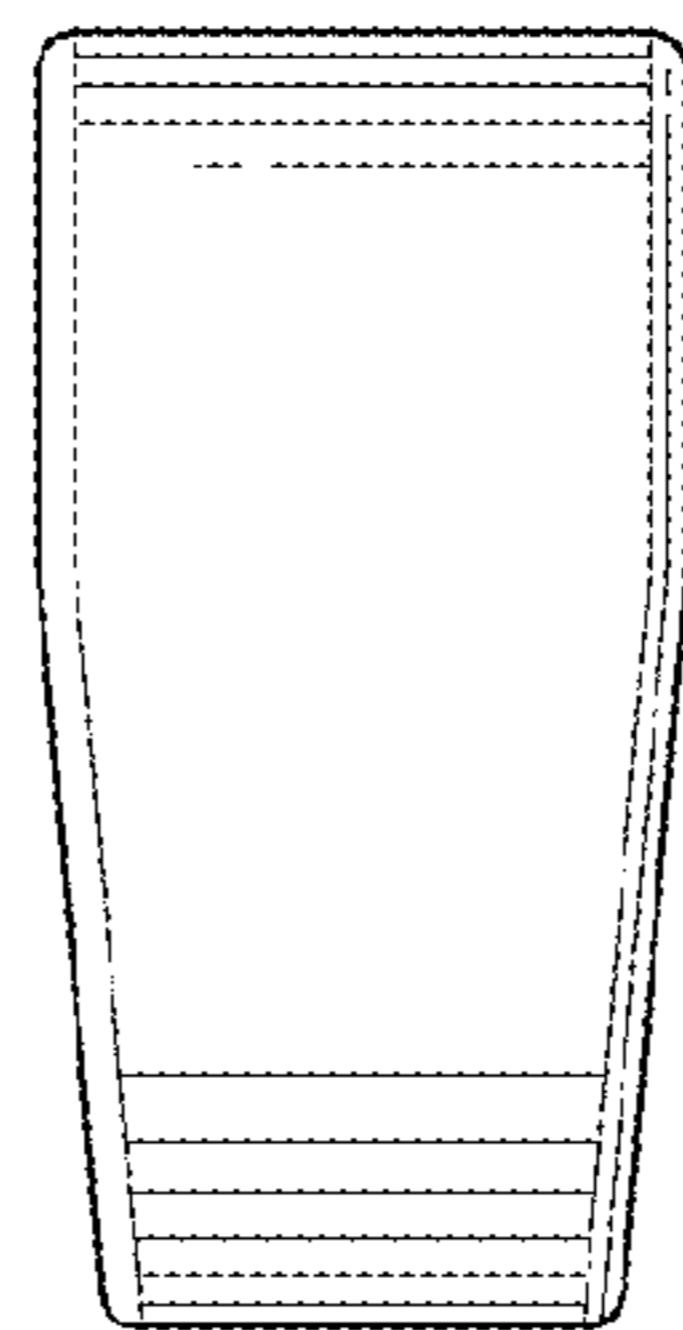


Fig. 7