



US00D887301S

(12) **United States Design Patent**
Zaidi

(10) **Patent No.:** **US D887,301 S**
(45) **Date of Patent:** **** Jun. 16, 2020**

(54) **CONTROL PANEL FOR A SECURITY SYSTEM**

(71) Applicant: **Frontpoint Security Solutions, LLC**,
Vienna, VA (US)

(72) Inventor: **Syed Zaidi**, Mclean, VA (US)

(73) Assignee: **Frontpoint Security Solutions, LLC**,
Vienna, VA (US)

(**) Term: **15 Years**

(21) Appl. No.: **29/669,201**

(22) Filed: **Nov. 6, 2018**

(51) **LOC (12) Cl.** **10-05**

(52) **U.S. Cl.**
USPC **D10/106.95**

(58) **Field of Classification Search**
USPC D13/162, 164, 168; D10/104.1, 106.1,
D10/106.6, 106.9, 106.95; D14/383, 385,
D14/399

CPC G05B 15/02; G08B 13/06; G08B 13/196;
G08B 13/19656; G08B 13/19658; G08B
13/1966; G08B 13/19678; G08B
13/19689; G08B 3/10

See application file for complete search history.

(56) **References Cited**

U.S. PATENT DOCUMENTS

D447,075 S * 8/2001 Roberts D10/106.95
D457,144 S * 5/2002 Suen D13/162

D577,623 S * 9/2008 Tal D10/106.95
D624,915 S * 10/2010 Ferreira Sanchez D14/385
D673,153 S * 12/2012 Bousfield D14/385
D699,614 S * 2/2014 Ke D10/106.95
D812,054 S * 3/2018 Bierach D14/383
D822,023 S * 7/2018 Huff D14/385
D834,437 S * 11/2018 Zhang D10/106.95
2014/0267112 A1* 9/2014 Dunn G06F 3/016
345/173
2017/0330433 A1* 11/2017 Zhu H04N 7/18
2019/0259260 A1* 8/2019 Amini G08B 13/193

* cited by examiner

Primary Examiner — Selina Sikder

(74) *Attorney, Agent, or Firm* — Hunton AK, LLP

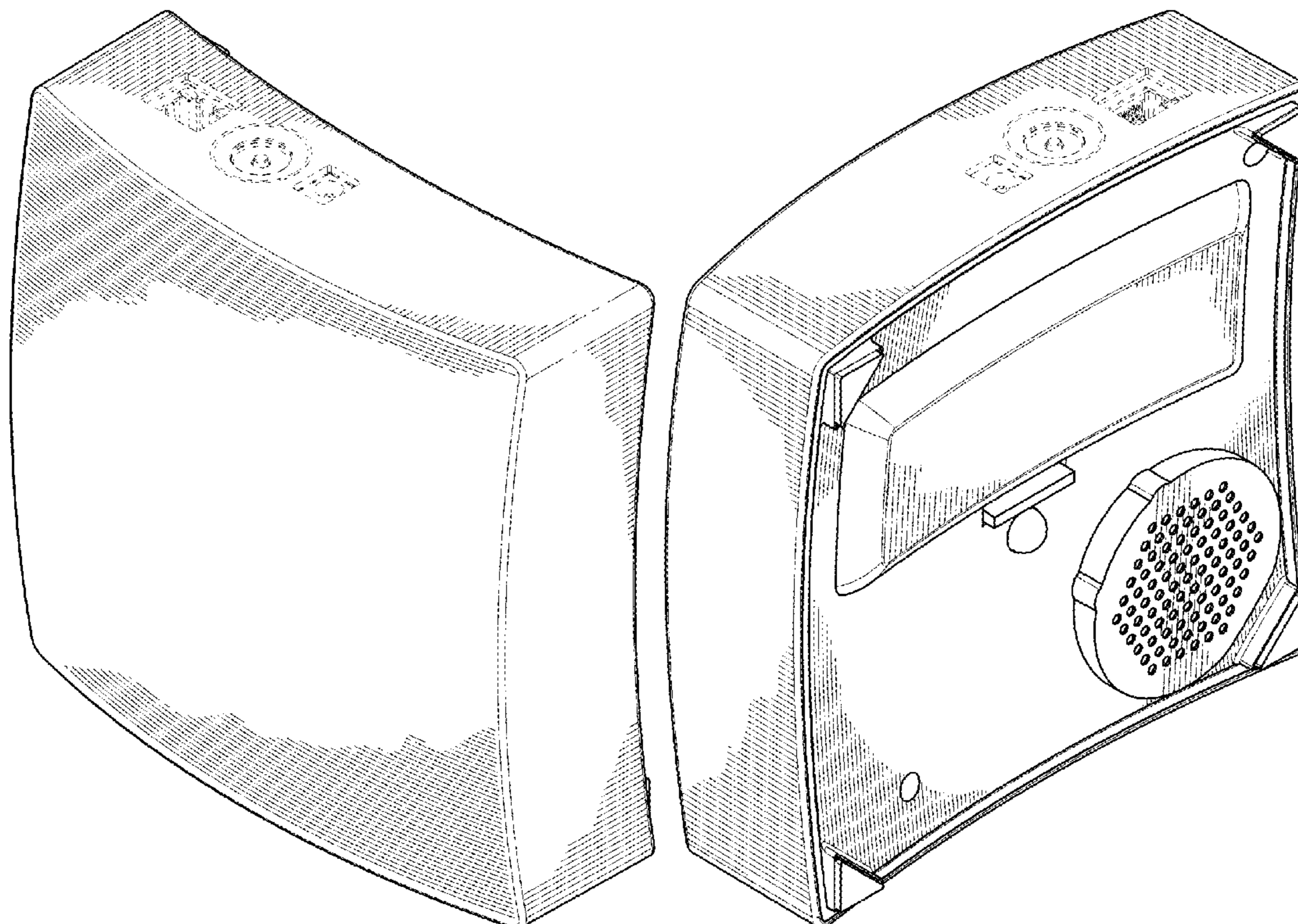
(57) **CLAIM**

The ornamental design for a control panel for a security system, as shown and described.

DESCRIPTION

FIG. 1 is a perspective view of a control panel for a security system;
FIG. 2 is a front elevation view thereof;
FIG. 3 is a back elevation view thereof;
FIG. 4 is a top elevation view thereof;
FIG. 5 is a bottom elevation view thereof;
FIGS. 6-7 are side elevation views thereof; and,
FIG. 8 is a back perspective view thereof.
The broken line showing of various elements in the drawings are included for the purpose of illustrating portions of the “article” and form no part of the claimed design.

1 Claim, 6 Drawing Sheets



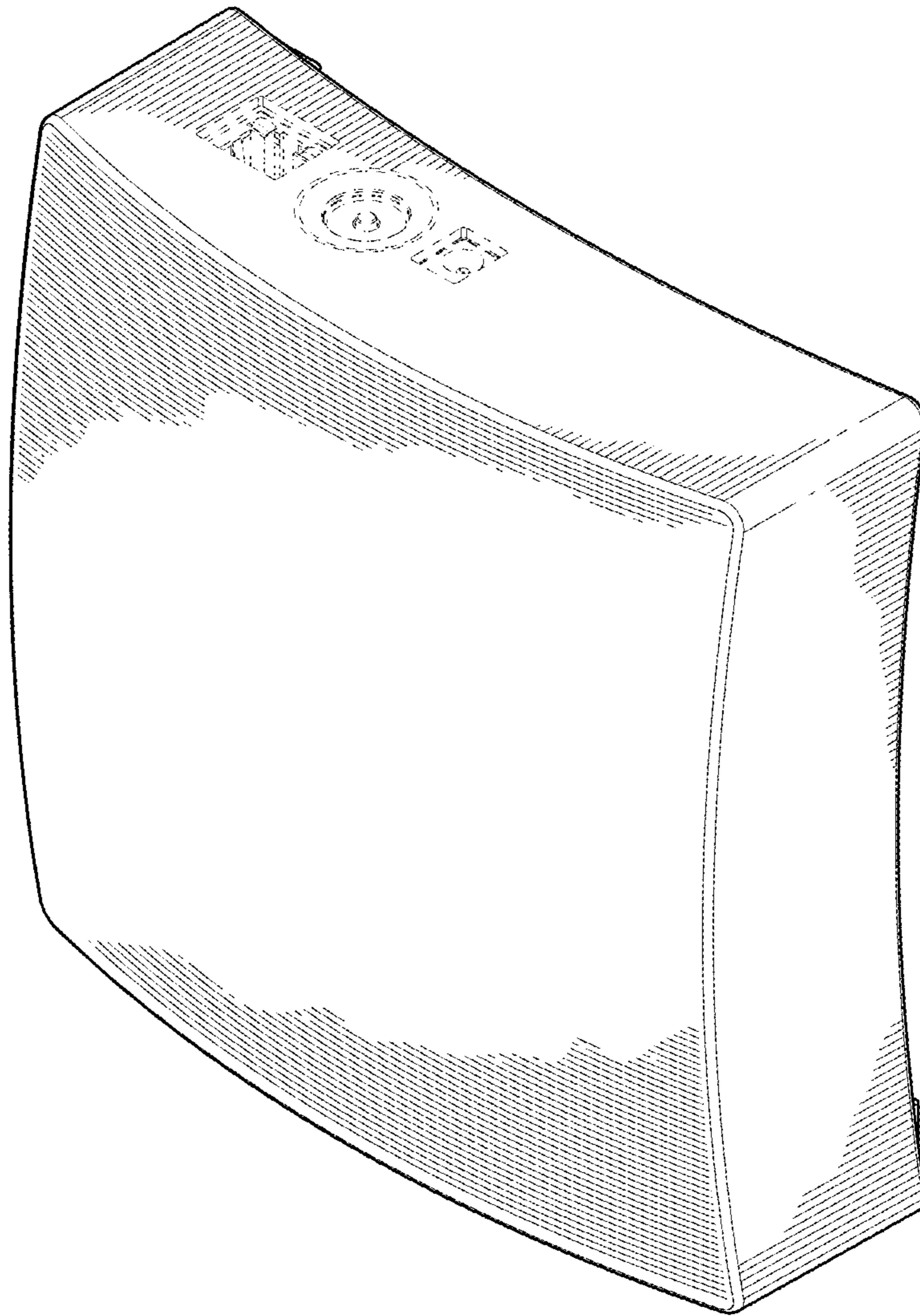


FIG. 1

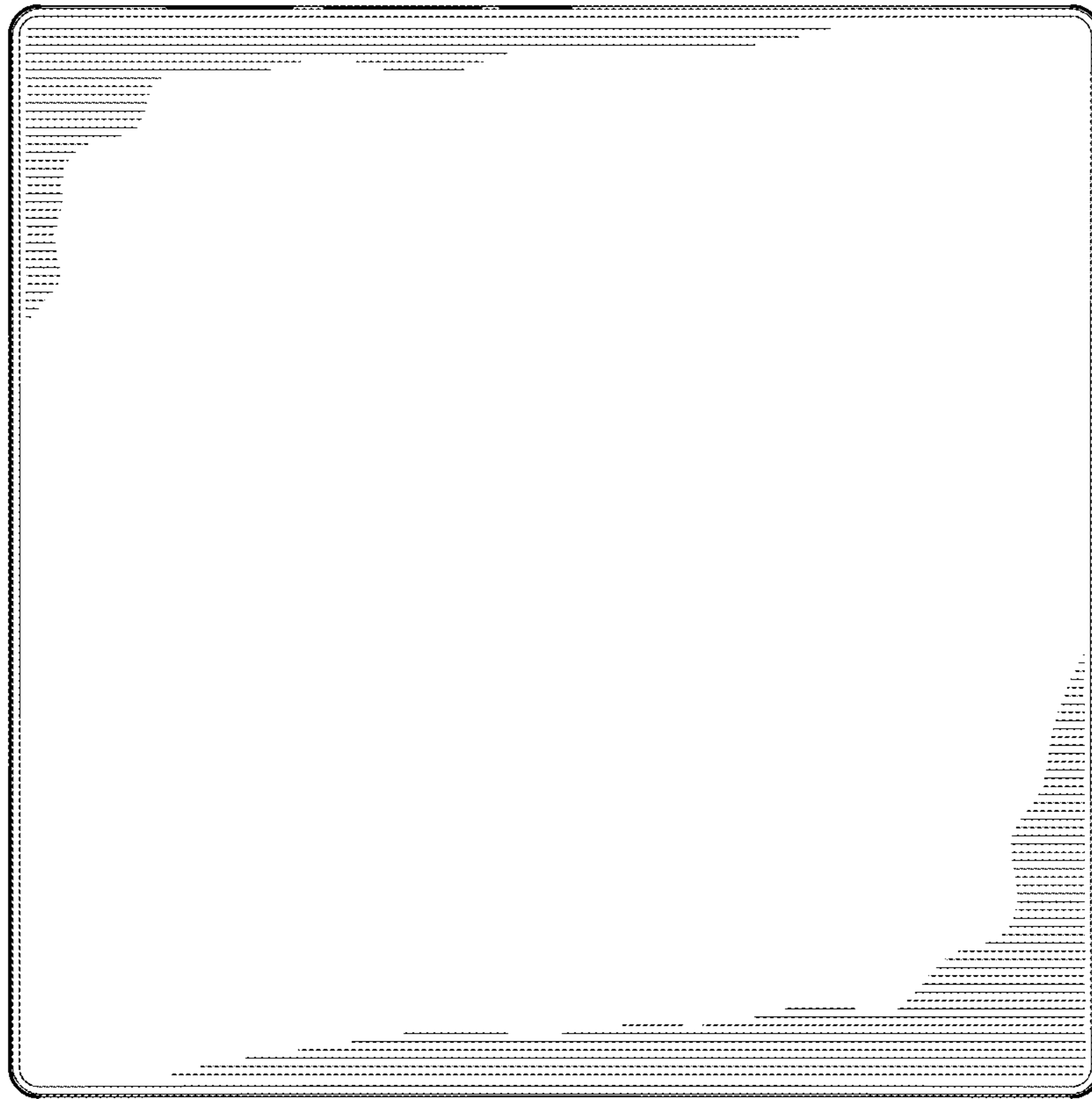


FIG. 2

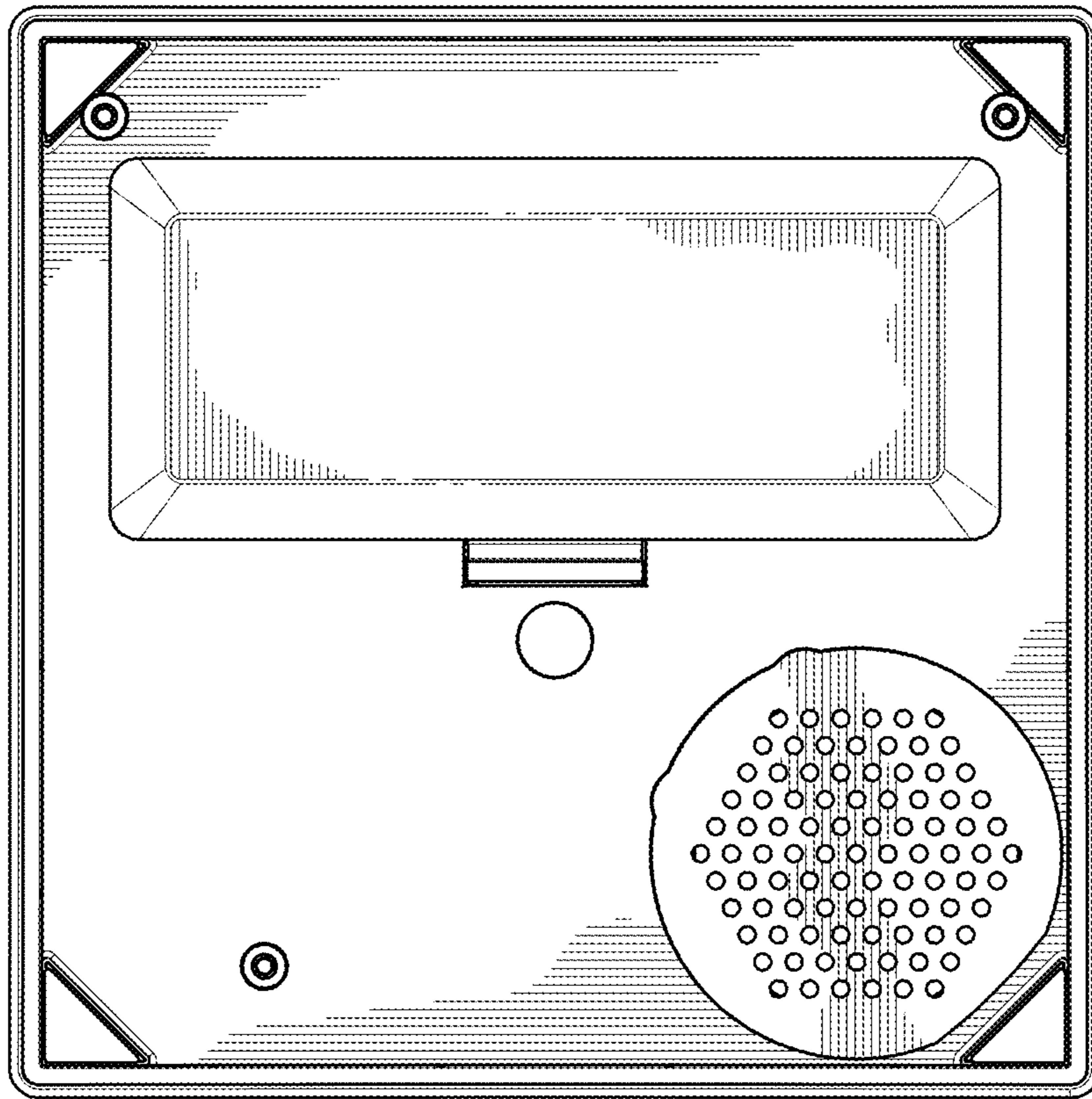


FIG. 3

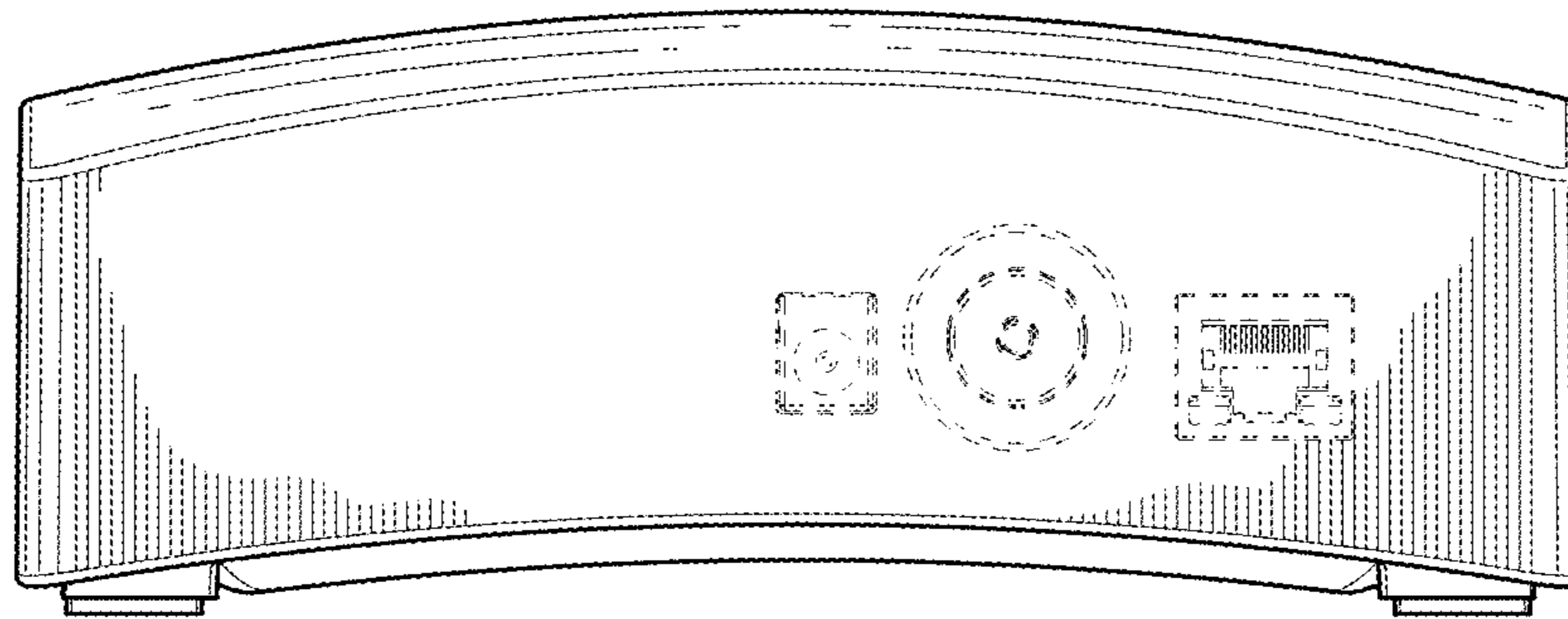


FIG. 4

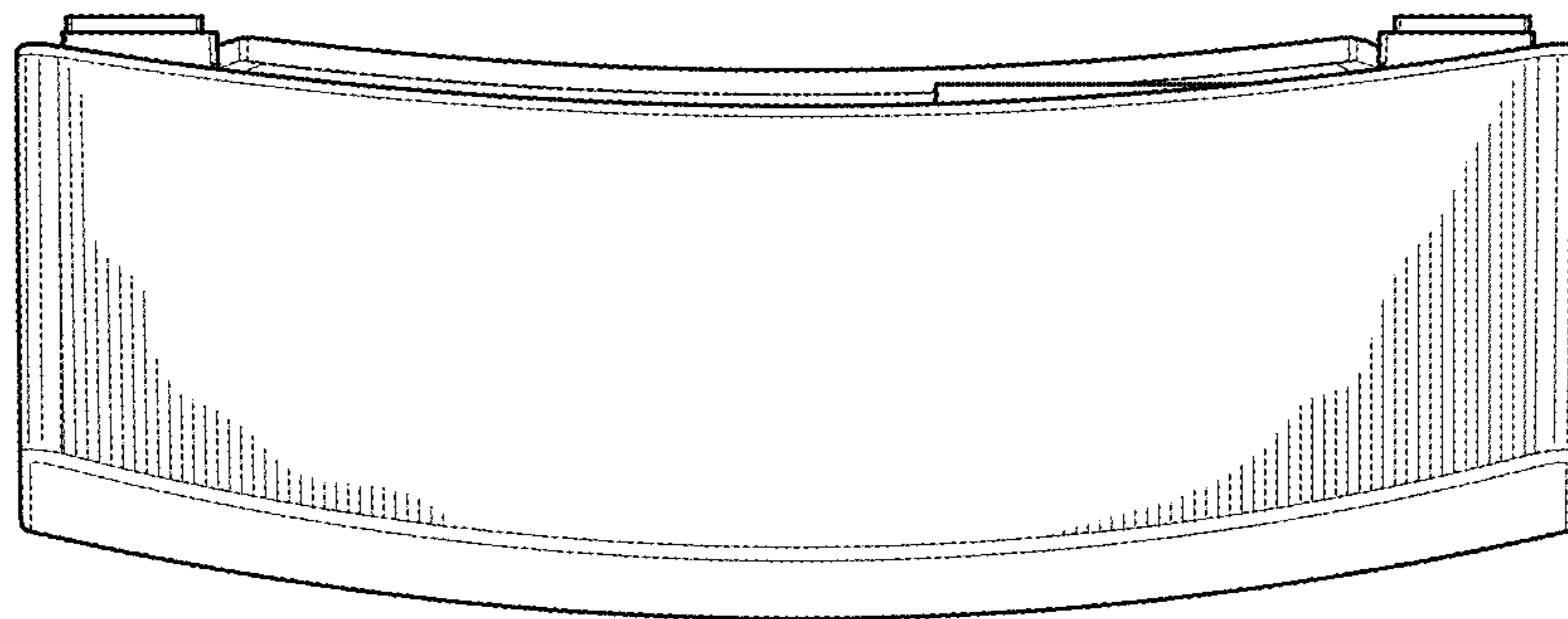


FIG. 5

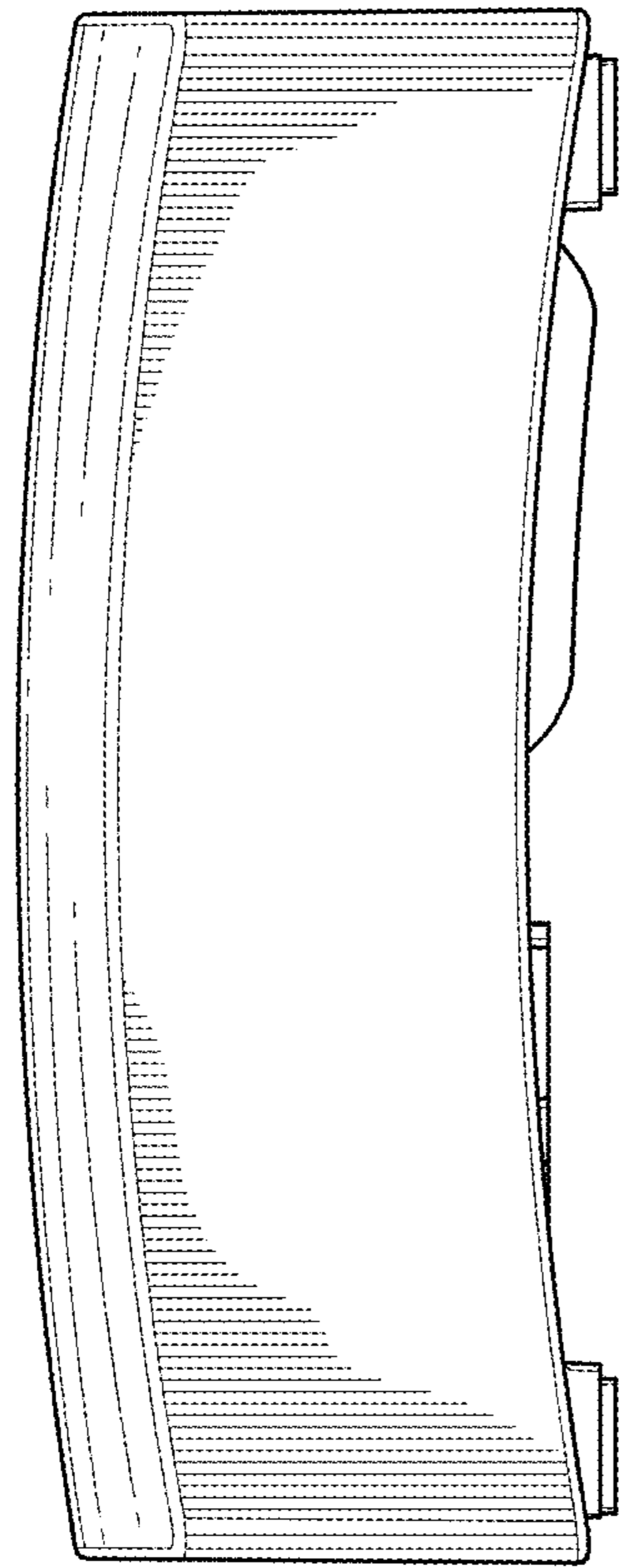


FIG. 6

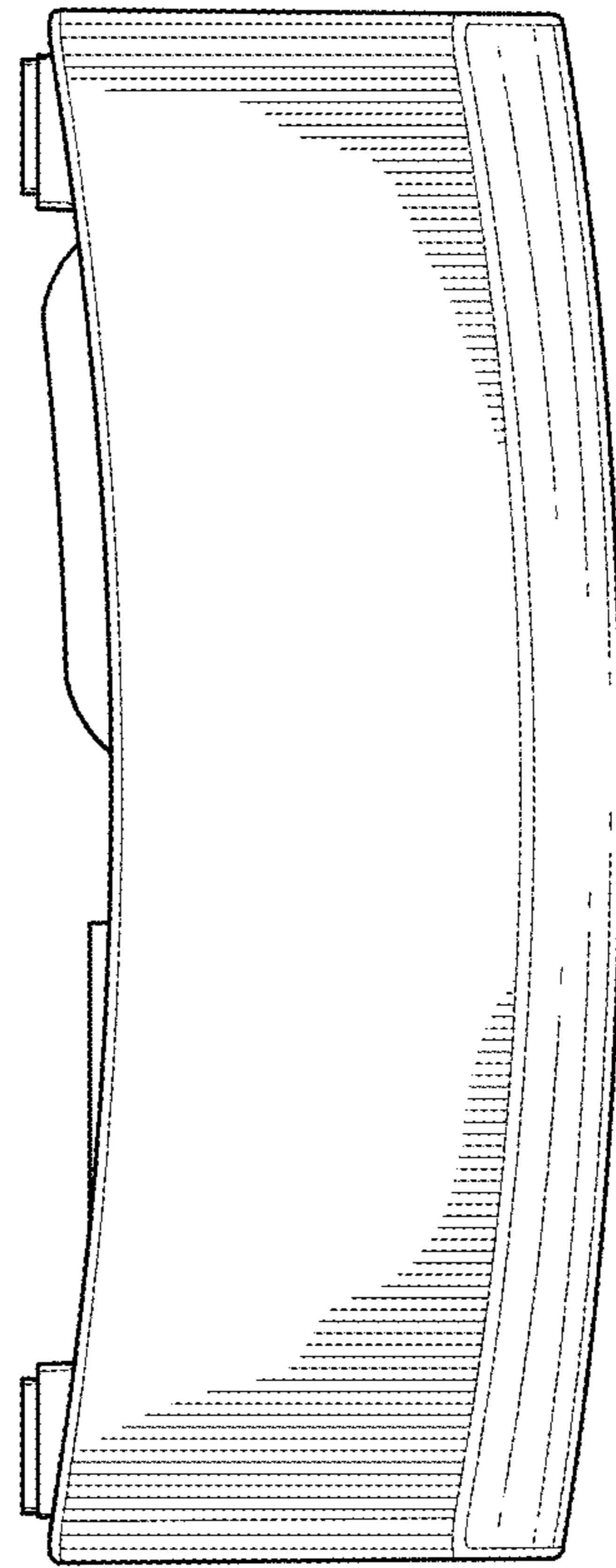


FIG. 7

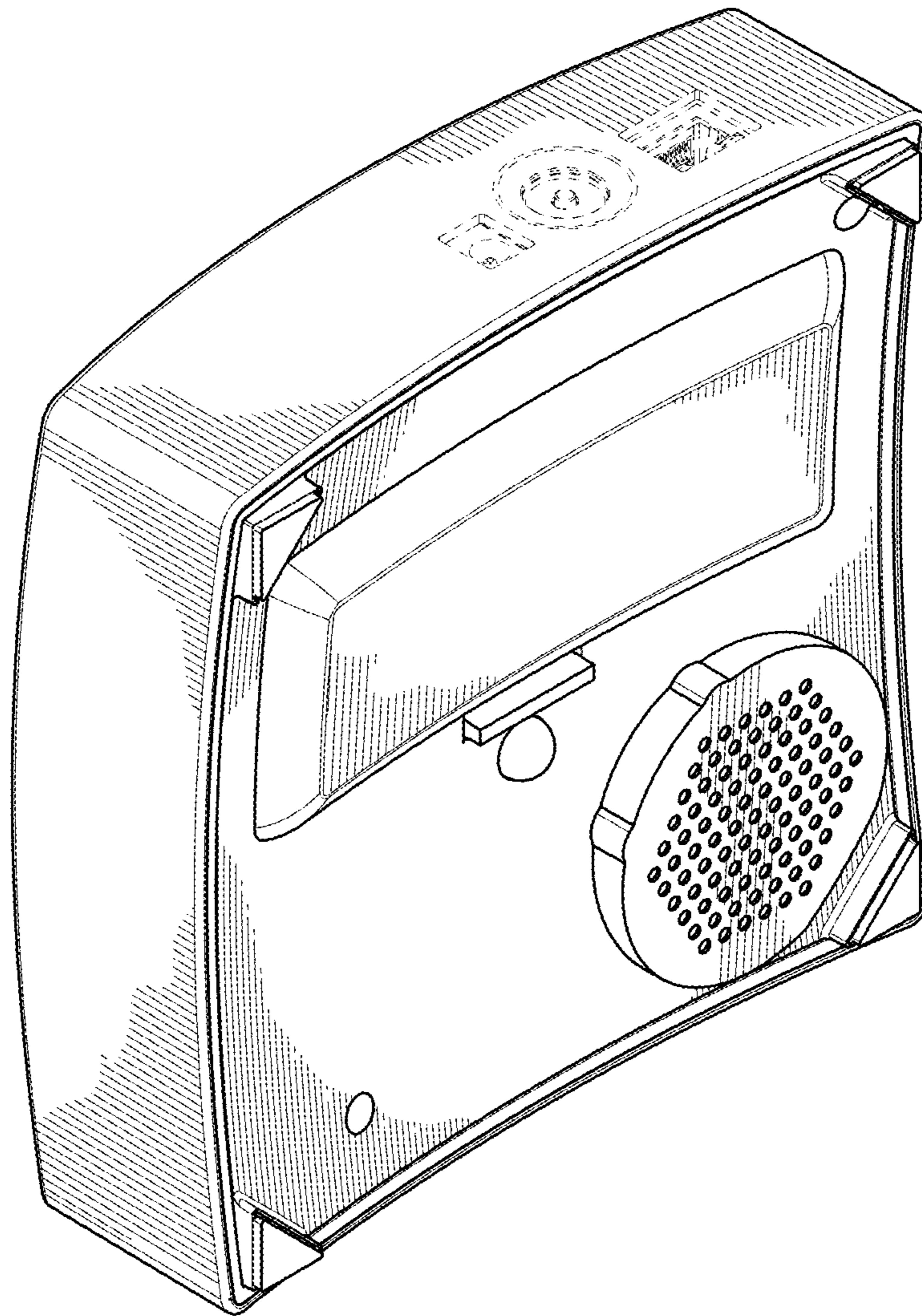


FIG. 8