



US00D887299S

(12) **United States Design Patent** (10) **Patent No.:** **US D887,299 S**
Wei (45) **Date of Patent:** **** Jun. 16, 2020**

(54) **COMBINED TRANSMITTER AND RECEIVER FOR LOCATING PET**

(71) Applicant: **Zhicong Chen**, Zhongshan (CN)

(72) Inventor: **Yi Wei**, Shenzhen (CN)

(73) Assignee: **Zhicong Chen**, Zhongshan (CN)

(**) Term: **15 Years**

(21) Appl. No.: **29/711,981**

(22) Filed: **Nov. 4, 2019**

(51) **LOC (12) Cl.** **10-05**

(52) **U.S. Cl.**
USPC **D10/104.2**

(58) **Field of Classification Search**
USPC D10/104.1, 104.2
CPC .. A01K 27/009; A01K 15/021; A01K 15/023;
G01S 5/02; G01S 3/54

See application file for complete search history.

(56) **References Cited**

U.S. PATENT DOCUMENTS

| | | | |
|-------------------|---------|-------------|------------------------|
| D346,339 S | 4/1994 | Lintick | |
| D347,397 S * | 5/1994 | Schmauch | D10/104.2 |
| D349,662 S | 8/1994 | Butcher | |
| D389,764 S | 1/1998 | Howard | |
| D427,098 S | 6/2000 | Biary | |
| D487,027 S * | 2/2004 | Spickelmier | D10/104.2 |
| D535,971 S * | 1/2007 | Andrade | D14/155 |
| D574,282 S * | 8/2008 | Hill | D10/104.1 |
| D655,215 S * | 3/2012 | Daniel | D10/104.2 |
| 9,467,968 B2 * | 10/2016 | Ickovic | A01K 15/021 |
| 10,154,651 B2 * | 12/2018 | Goetzl | A01K 15/023 |
| 2003/0034887 A1 * | 2/2003 | Crabtree | G01S 3/54 340/539.1 |

| | | | |
|-------------------|--------|----------|--------------------------|
| 2005/0035865 A1 * | 2/2005 | Brennan | A01K 15/021 340/573.3 |
| 2017/0265432 A1 * | 9/2017 | Anderton | G01S 5/02 |
| 2019/0133084 A1 * | 5/2019 | Landers | A01K 27/009 |

OTHER PUBLICATIONS

Amazon.com—Whistle Go Explore (Year: 2018).*
Amazon.com—Eureka Technology Marcopolo Advanced Pet Monitor, Tracking, and Locator (Year: 2016).*
Amazon.com—Garmin Astro 430 T Dog Tracking Bundle (Year: 2018).*

* cited by examiner

Primary Examiner — George D. Kirschbaum
(74) *Attorney, Agent, or Firm* — ScienBiziP, P.C.

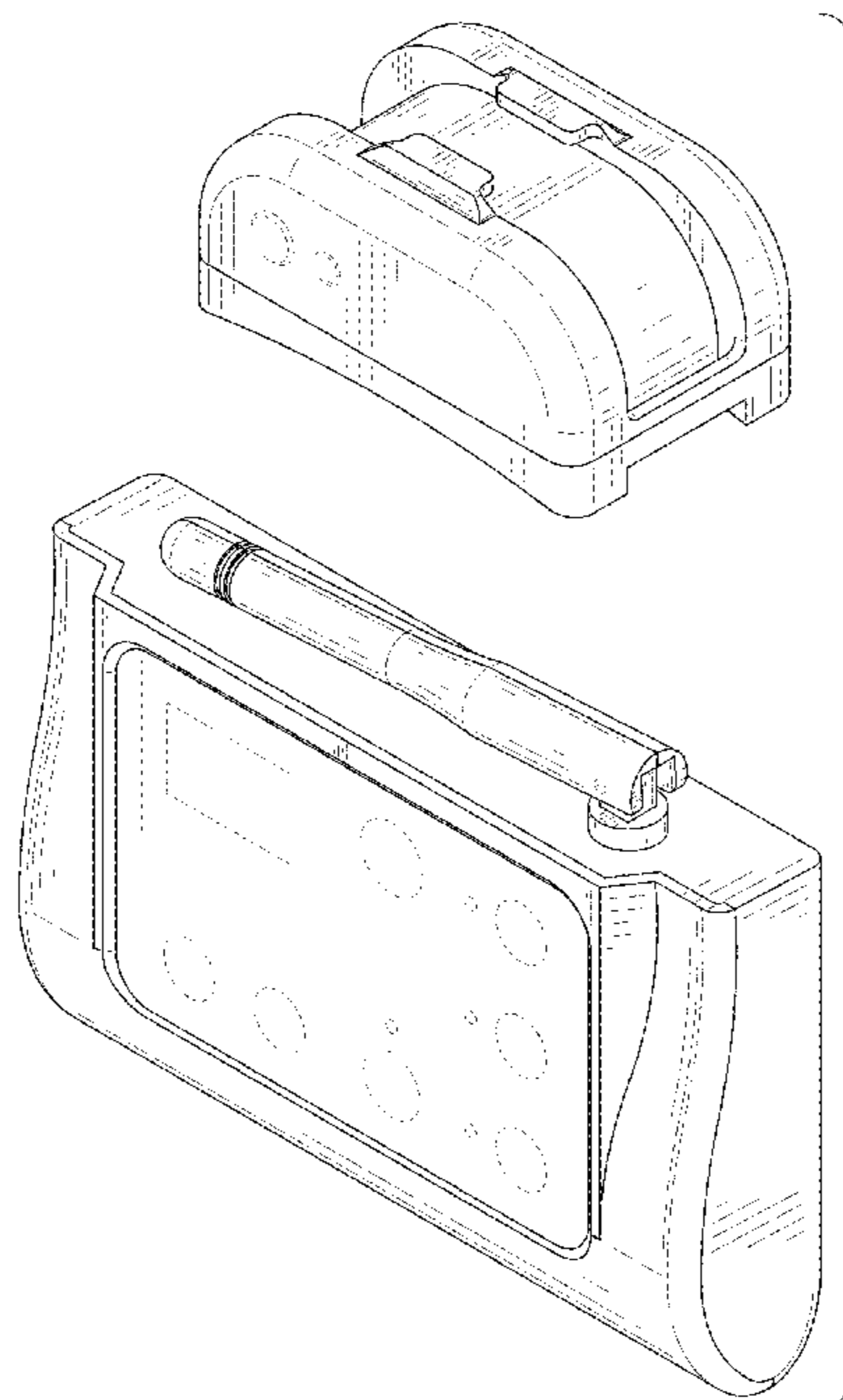
(57) **CLAIM**

The ornamental design for a combined transmitter and receiver for locating pet, as shown and described.

DESCRIPTION

FIG. 1 is a top, front, right perspective view of a combined transmitter and receiver for locating pet, showing my design. FIG. 2 is a bottom, rear, left perspective view thereof. FIG. 3 is a front elevation view thereof. FIG. 4 is a rear elevation view thereof. FIG. 5 is a left side elevation view thereof. FIG. 6 is a right side elevation view thereof. FIG. 7 is a top plan view thereof. FIG. 8 is a bottom plan view thereof; and, FIG. 9 is a perspective view thereof, shown in an unfolded state of the transmitter's antenna of the combined transmitter and receiver for locating pet. The details shown in broken lines form no part of the claimed design.

1 Claim, 9 Drawing Sheets



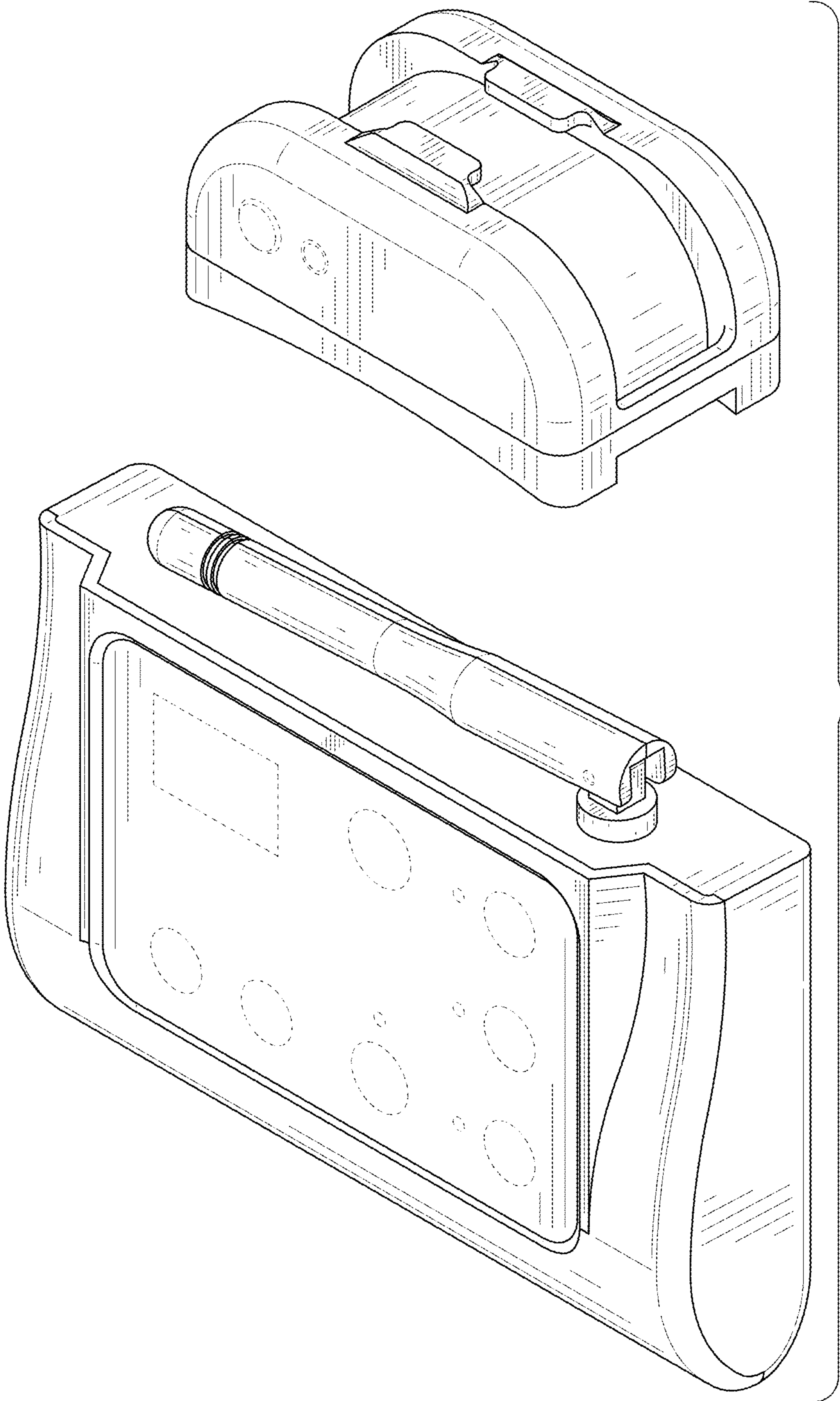


FIG. 1

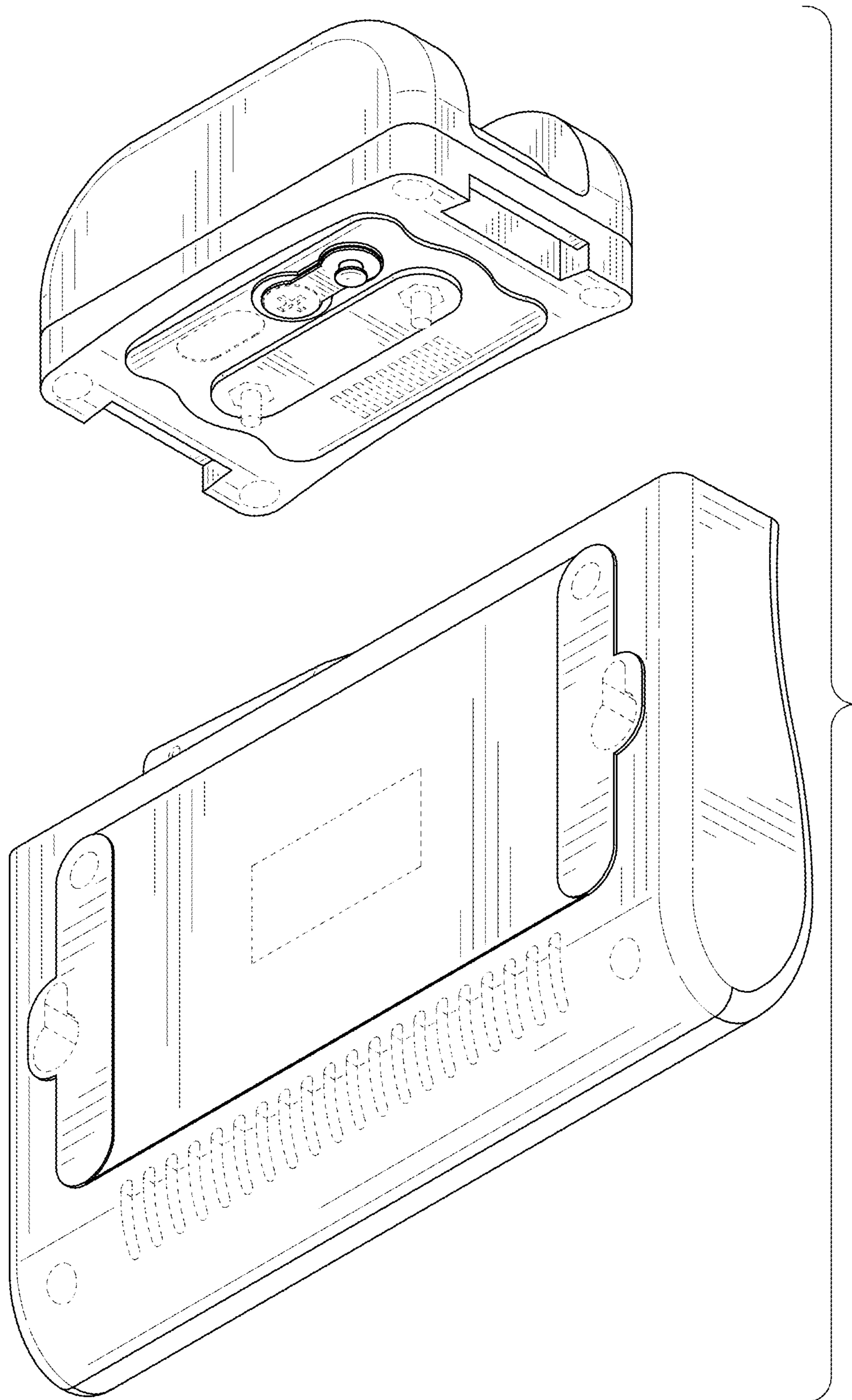


FIG. 2

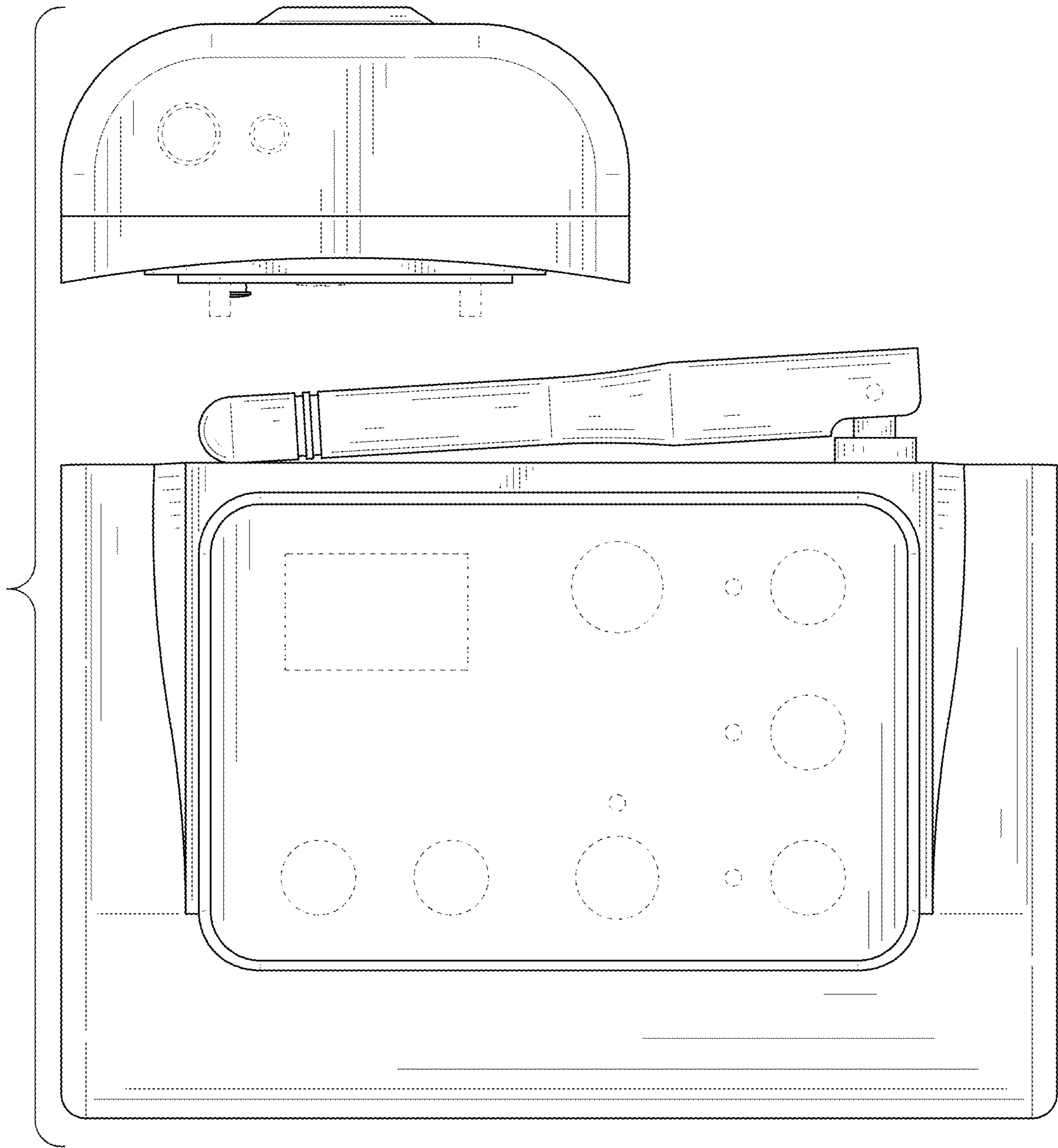


FIG. 3

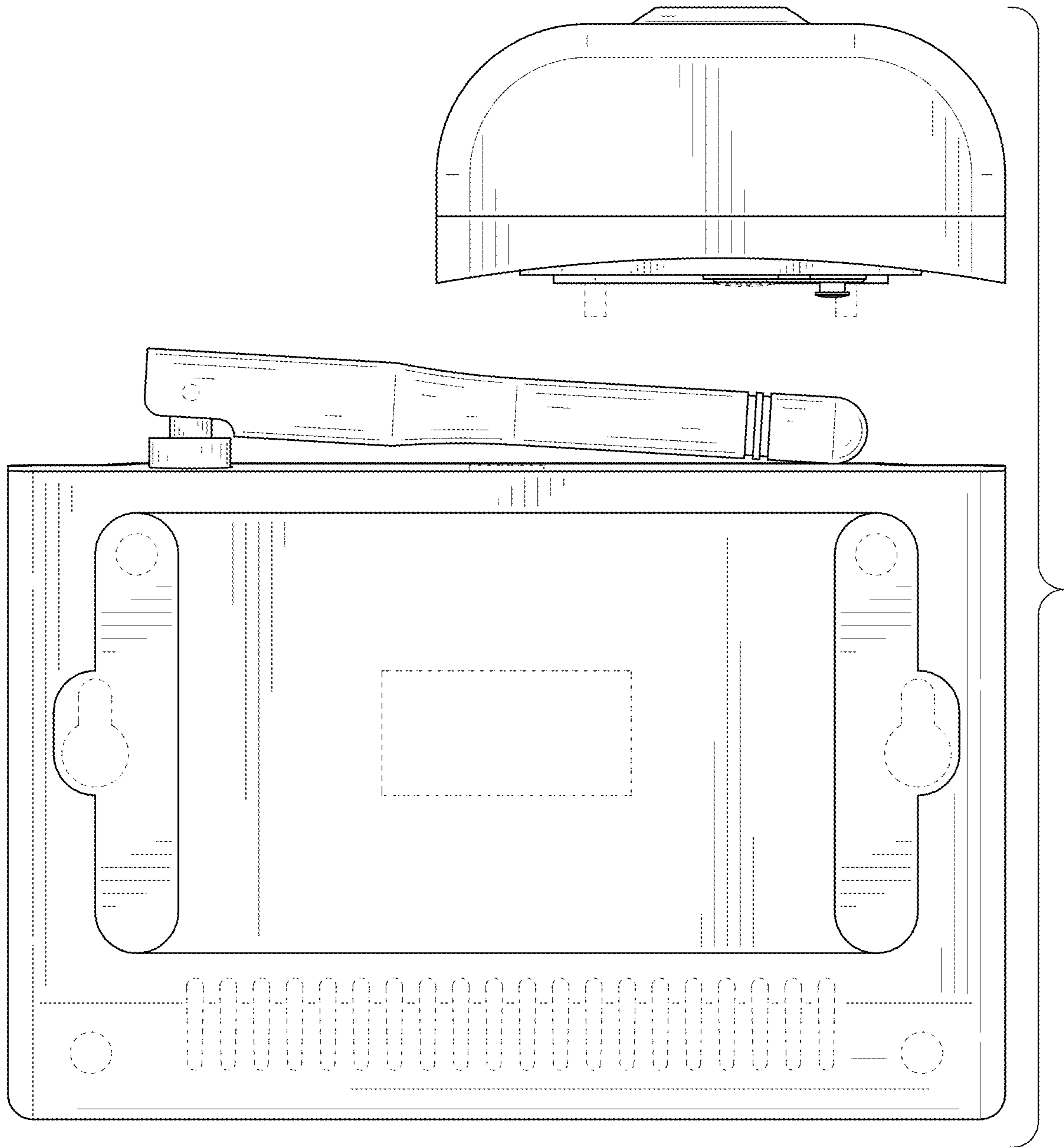


FIG. 4

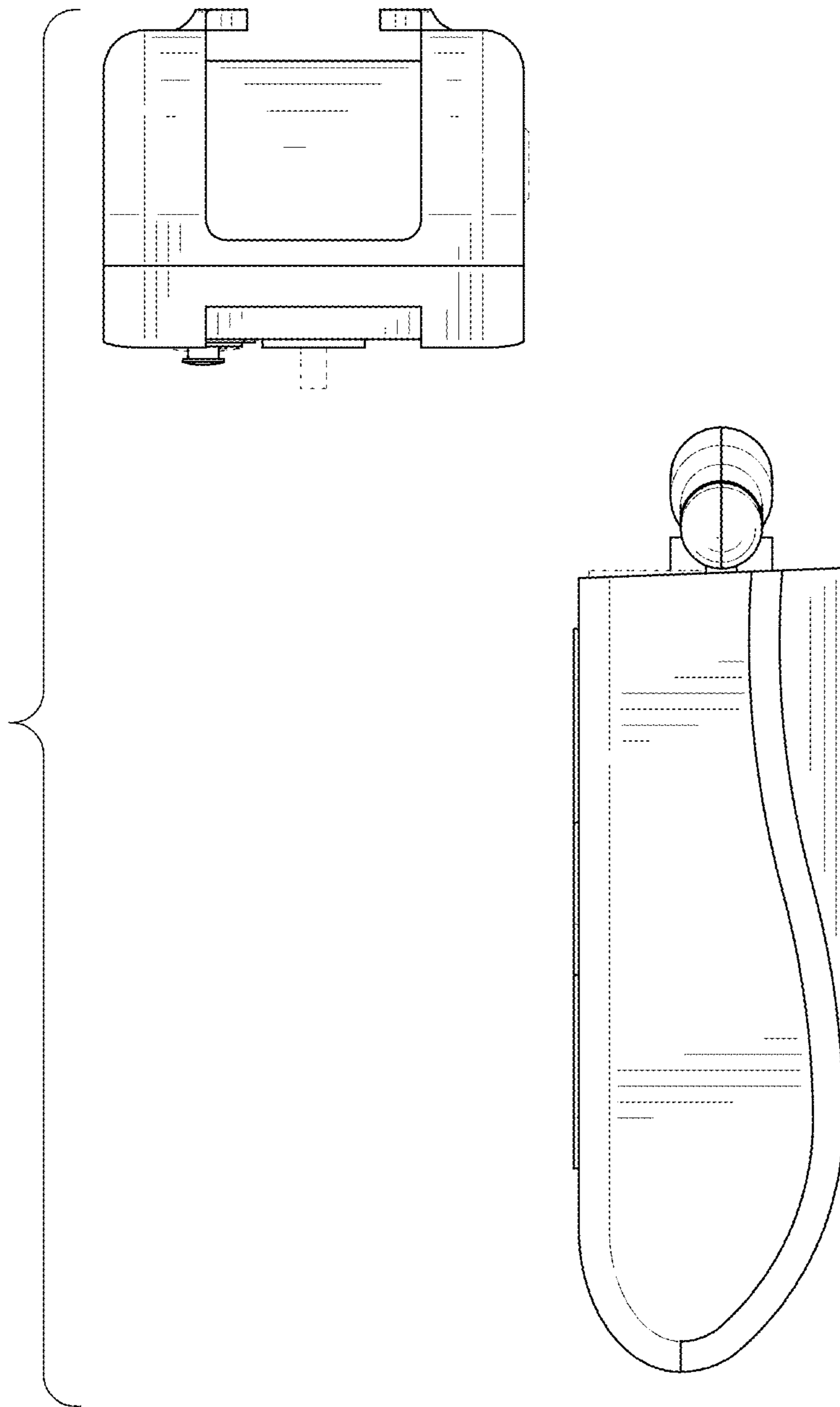


FIG. 5

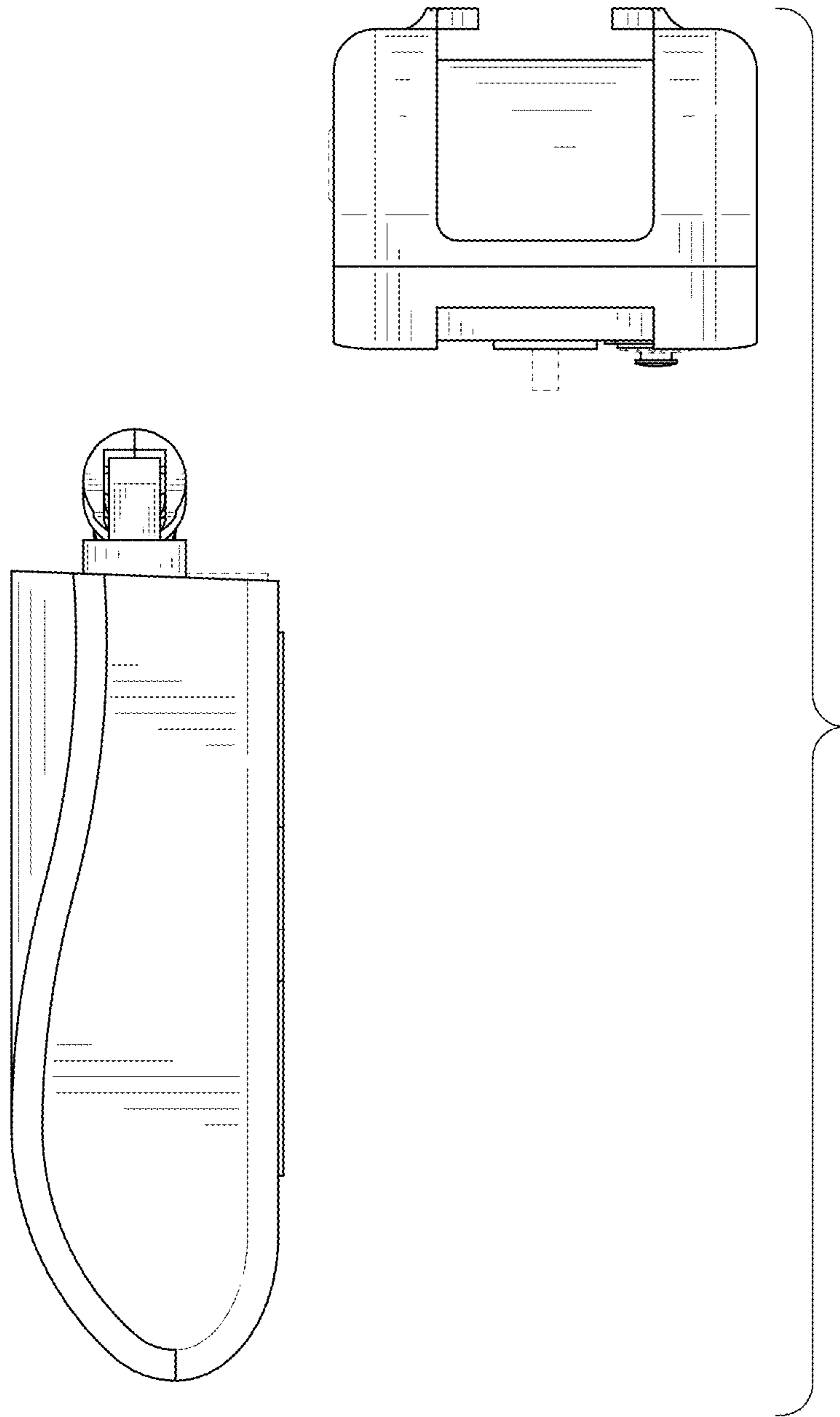


FIG. 6

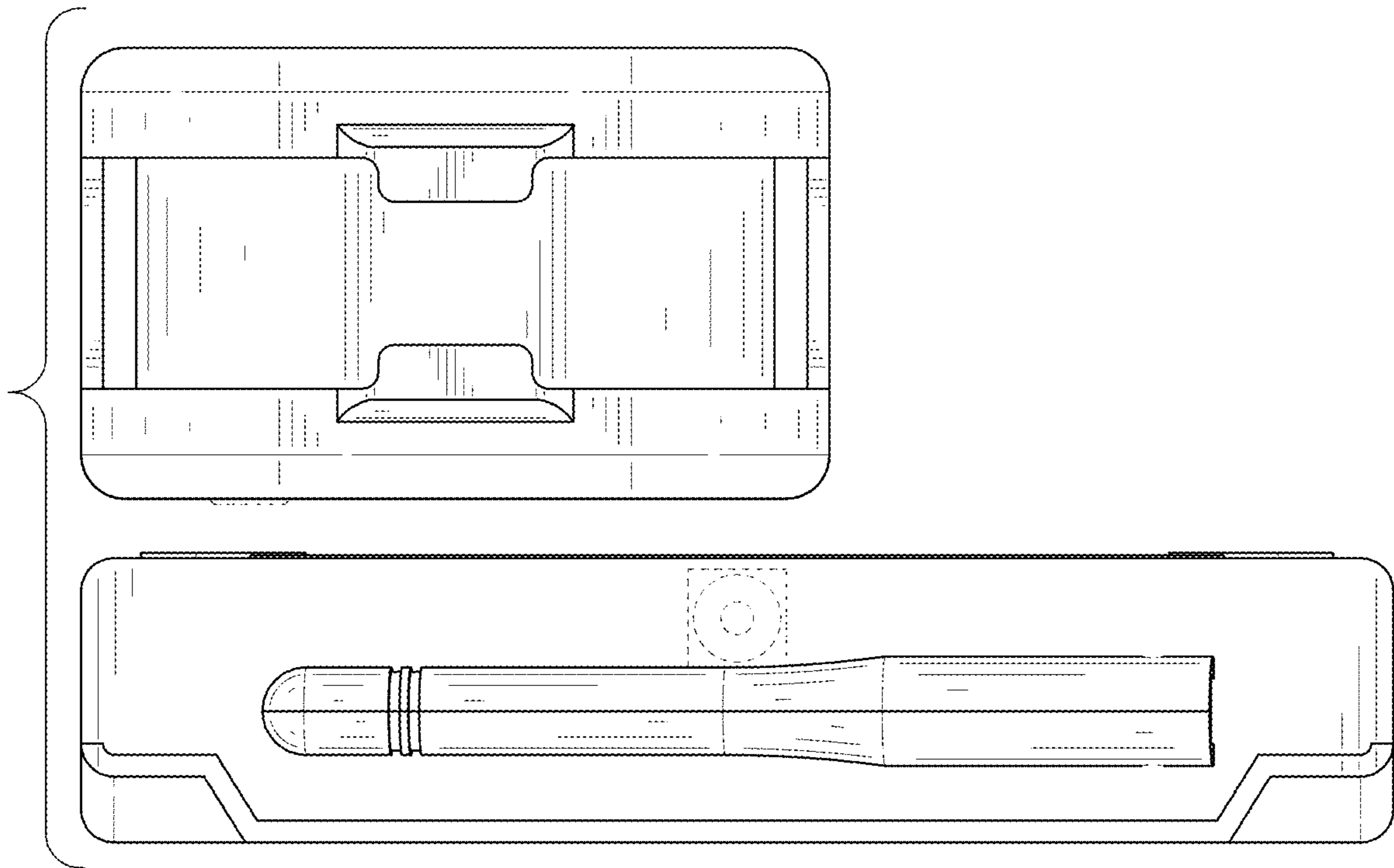


FIG. 7

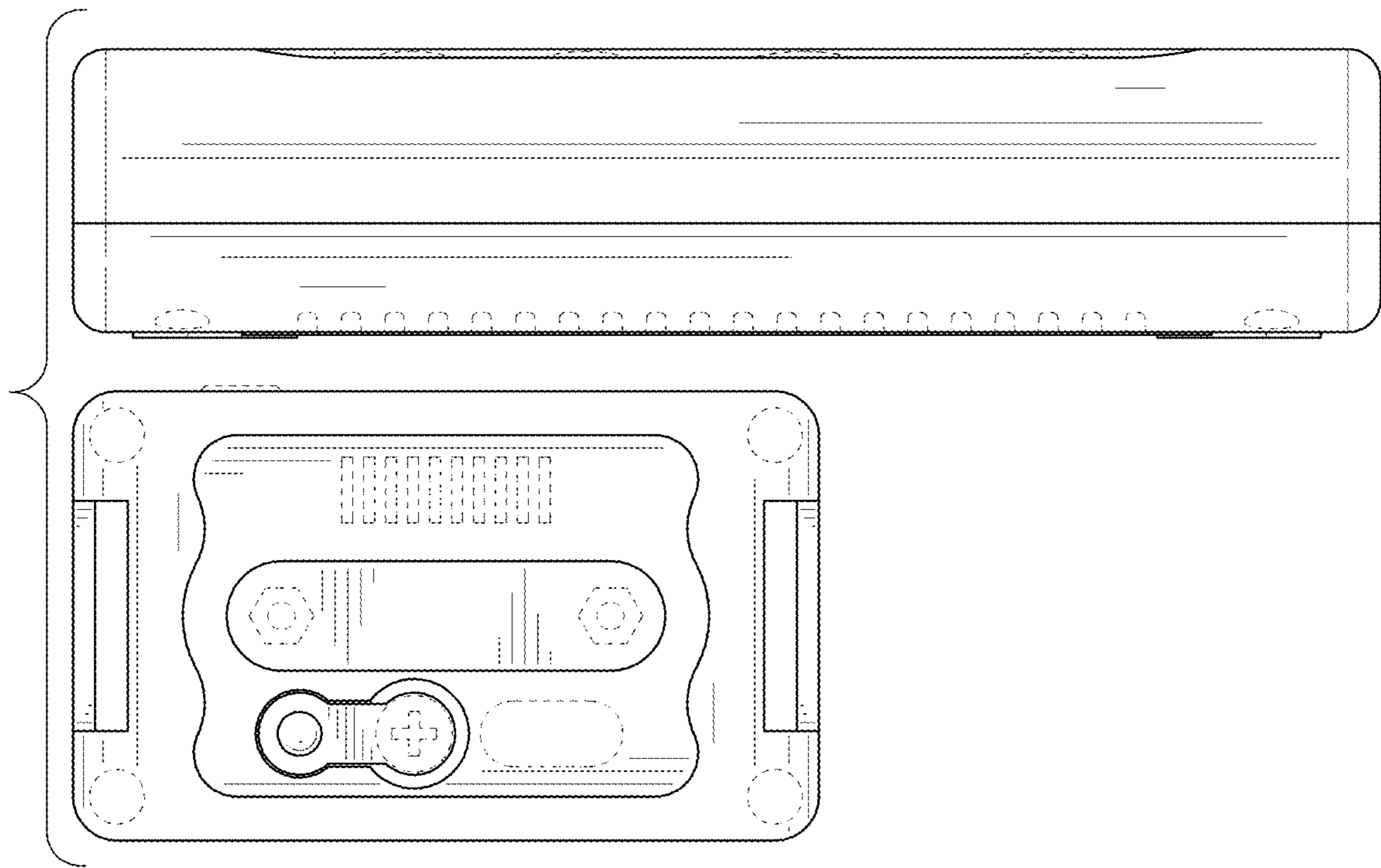


FIG. 8

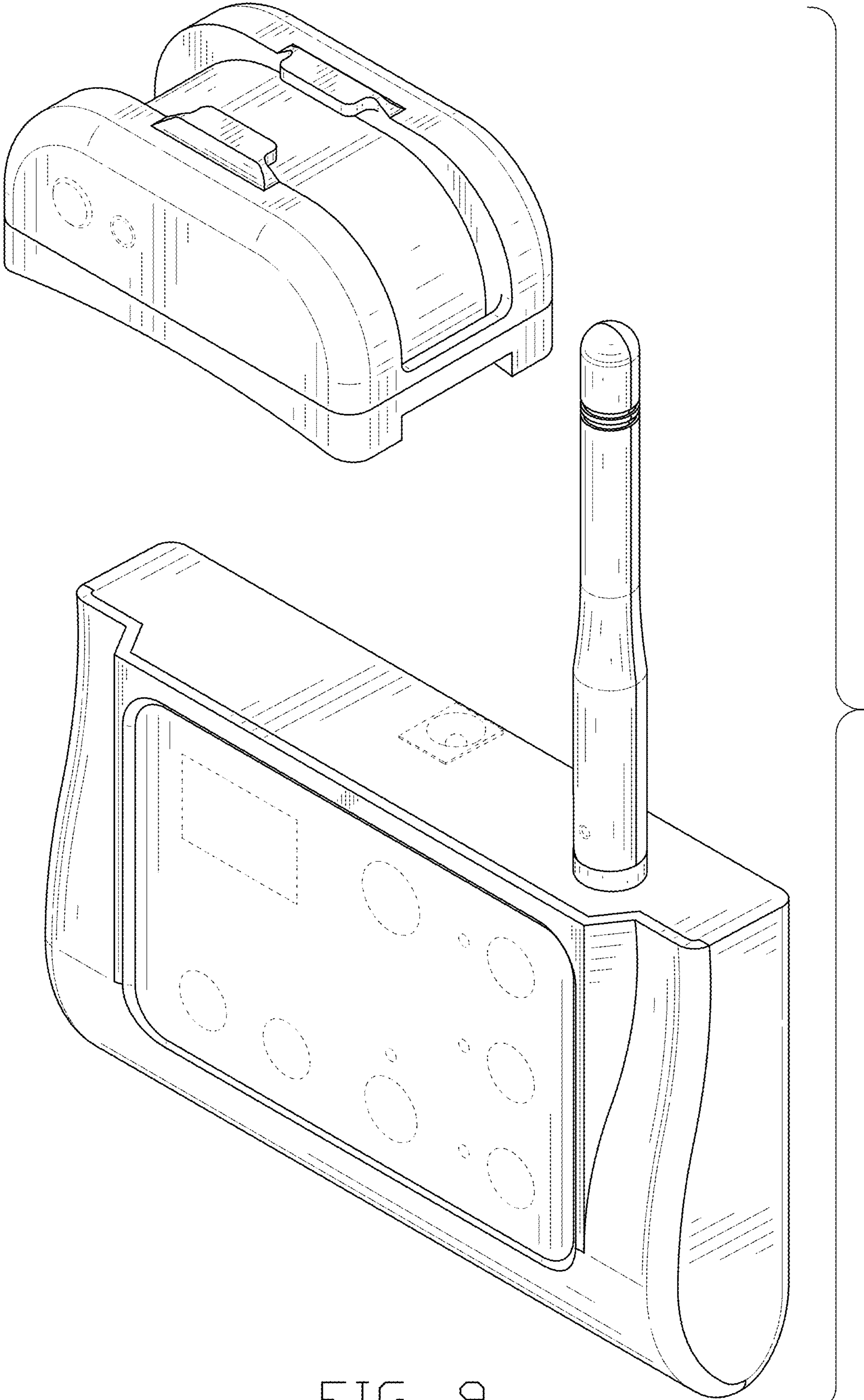


FIG. 9