



US00D887296S

(12) **United States Design Patent**
Stone et al.

(10) **Patent No.:** **US D887,296 S**
(45) **Date of Patent:** **** Jun. 16, 2020**

(54) **ANALYTICAL INSTRUMENT**

G01N 2021/0106–2021/9586; G01N
35/00–35/1097; G01N
2035/00019–2035/1093; G01N
2204/022–2204/0228

(71) Applicant: **BERKELEY LIGHTS, INC.**,
Emeryville, CA (US)

See application file for complete search history.

(72) Inventors: **Michael J. Stone**, Berkeley, CA (US);
Keith J. Breinlinger, San Rafael, CA
(US); **Edward J. Milovic**, Albany, CA
(US); **Christopher C. Shing**, Castro
Valley, CA (US); **James R. Varney**,
Bolton, MA (US); **James M. Ormond**,
Belmont, MA (US); **Matthew C.**
White, Brighton, MA (US); **Bryan R.**
Hotaling, Harvard, MA (US)

(56) **References Cited**

U.S. PATENT DOCUMENTS

D672,471 S * 12/2012 Franco D24/232
D777,049 S * 1/2017 Barton D10/81

* cited by examiner

Primary Examiner — Antoine Duval Davis

(73) Assignee: **BERKELEY LIGHTS, INC.**,
Emeryville, CA (US)

(74) *Attorney, Agent, or Firm* — McDermott Will &
Emery LLP

(**) Term: **15 Years**

(57) **CLAIM**

(21) Appl. No.: **29/681,398**

The ornamental design for an analytical instrument, as
shown and described.

(22) Filed: **Feb. 25, 2019**

DESCRIPTION

Related U.S. Application Data

(63) Continuation of application No. 29/609,549, filed on
Jun. 30, 2017, now Pat. No. Des. 844,471.

(51) **LOC (12) Cl.** **10-04**

(52) **U.S. Cl.**
USPC **D10/81**; D24/216

(58) **Field of Classification Search**
USPC D10/81; D24/216, 219, 220, 232, 233,
D24/234

CPC A01N 27/3278; G01N 33/48721; G01N
27/745; G01N 27/4146; G01N 33/54346;
G01N 33/587; G01N 2035/00306; G01N
2201/022; G01N 21/00; G01N 21/01;
G01N 2020/0106; G01N 2201/0221;
G01N 2201/0222; G01N 2201/0224;
G01N 2201/0225; G01N 2201/0227;
G01N 2201/0228; G01N 2201/024; G01N
2201/0245; G01N 2021/0112–21/958;

FIG. 1 is a perspective view of an embodiment of an
analytical instrument of our new design.

FIG. 2 is a front view of the embodiment of an analytical
instrument of our new design.

FIG. 3 is a back view of the embodiment of an analytical
instrument of our new design.

FIG. 4 is a side view of the embodiment of an analytical
instrument of our new design.

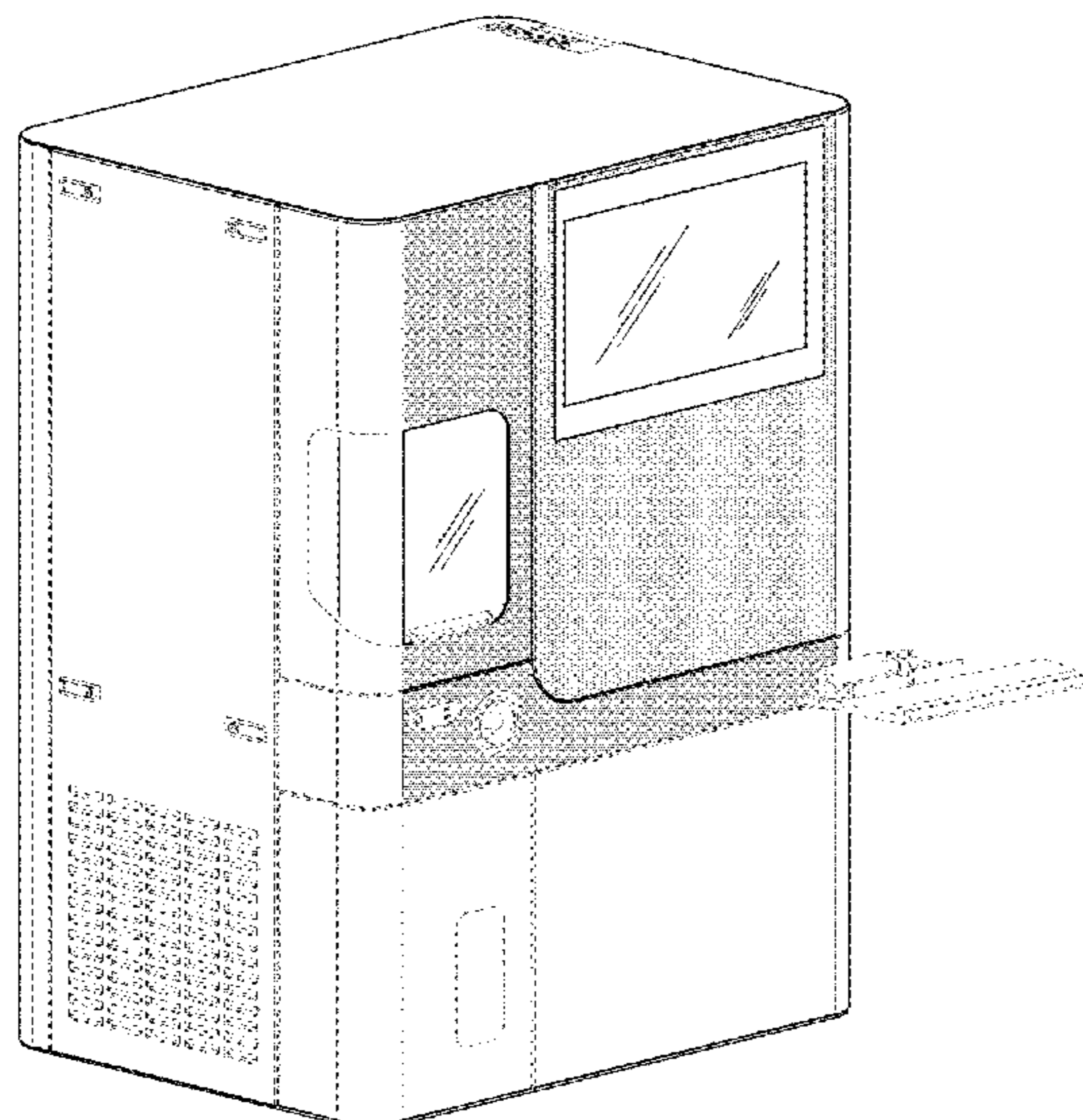
FIG. 5 is a side view of the embodiment of an analytical
instrument of our new design.

FIG. 6 is a top view of the embodiment of an analytical
instrument of our new design; and,

FIG. 7 is a bottom view of the embodiment of an analytical
instrument of our new design.

The portions of the features depicted in broken lines are not
part of the claimed design.

1 Claim, 7 Drawing Sheets



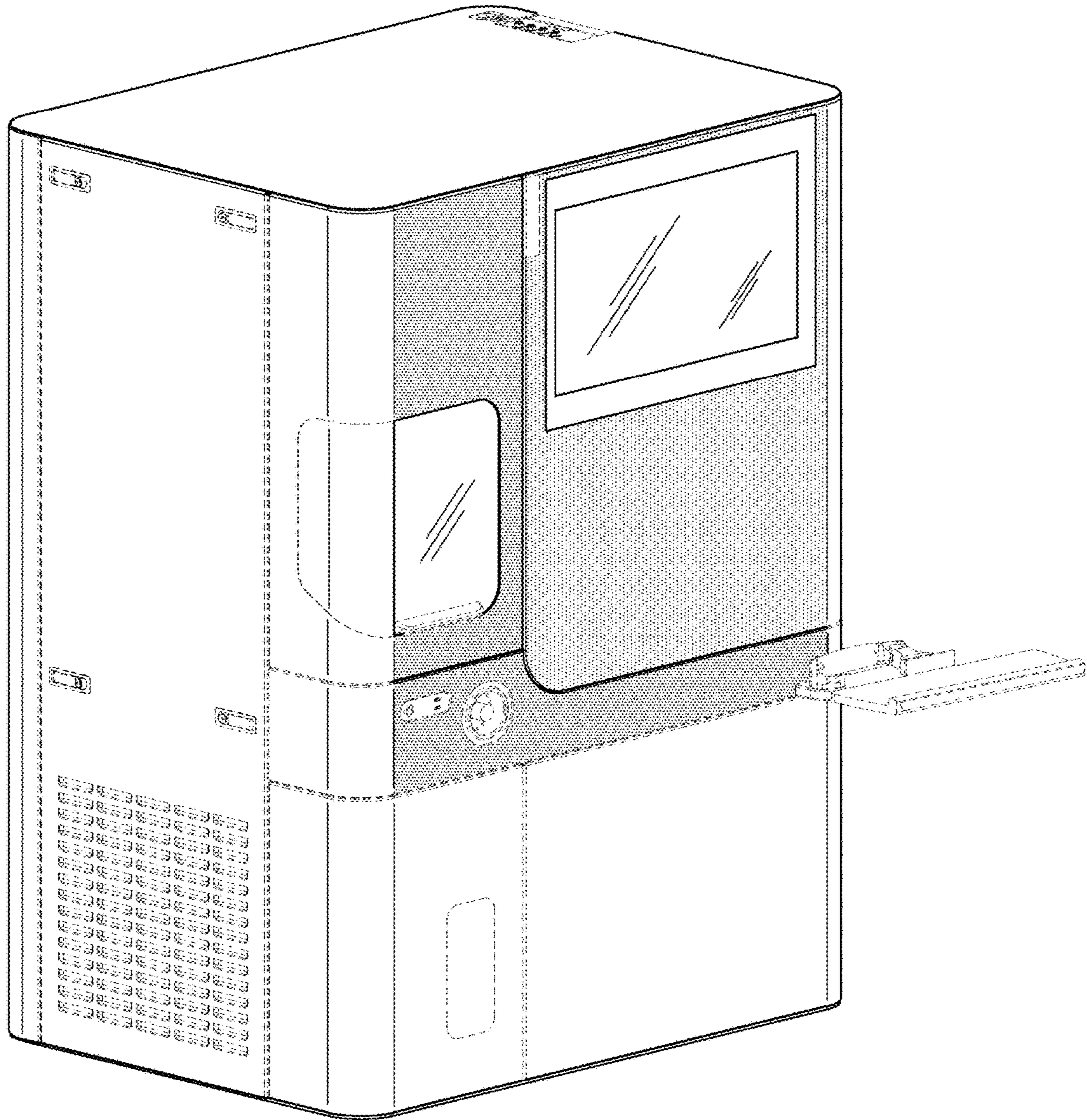


FIG. 1

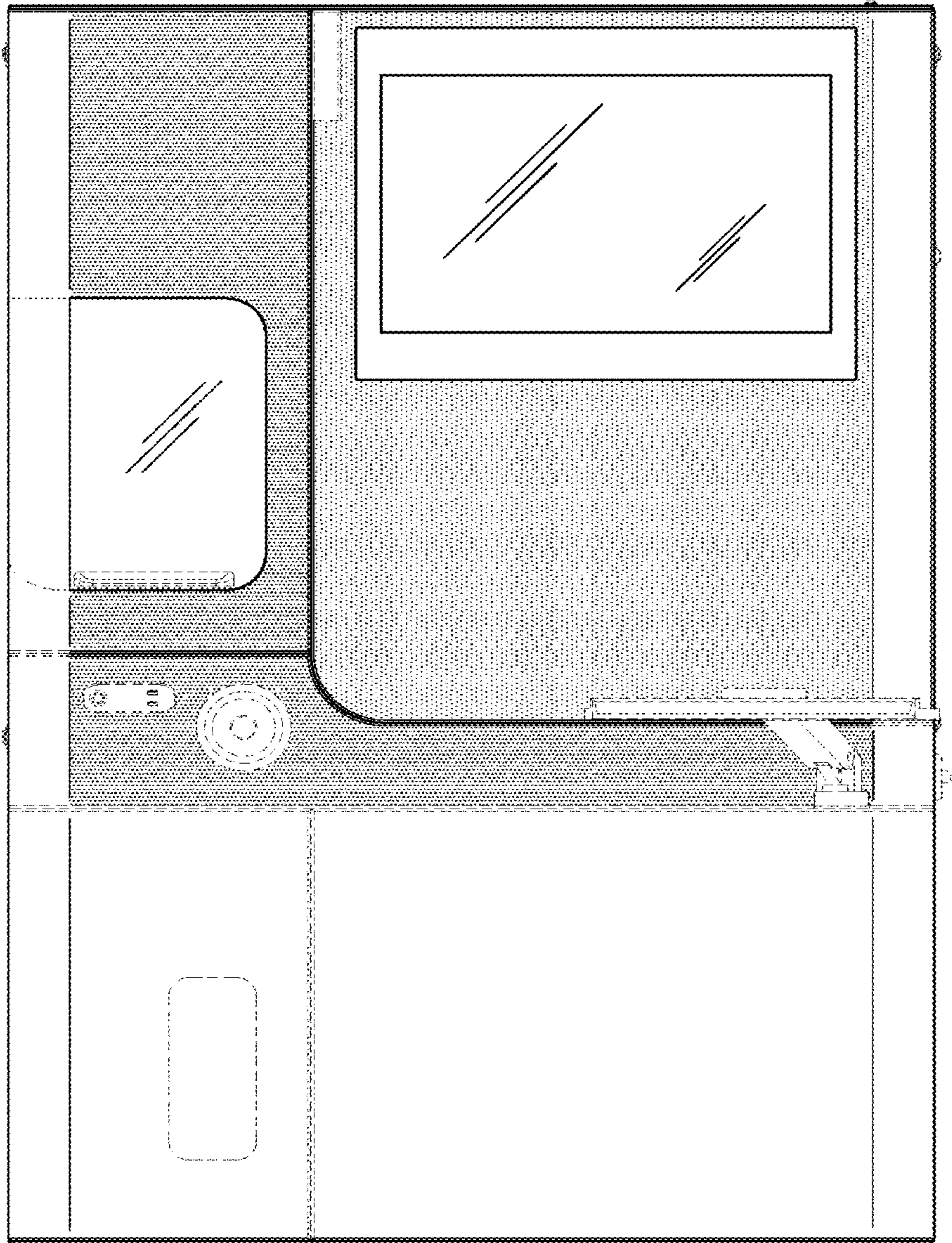


FIG. 2

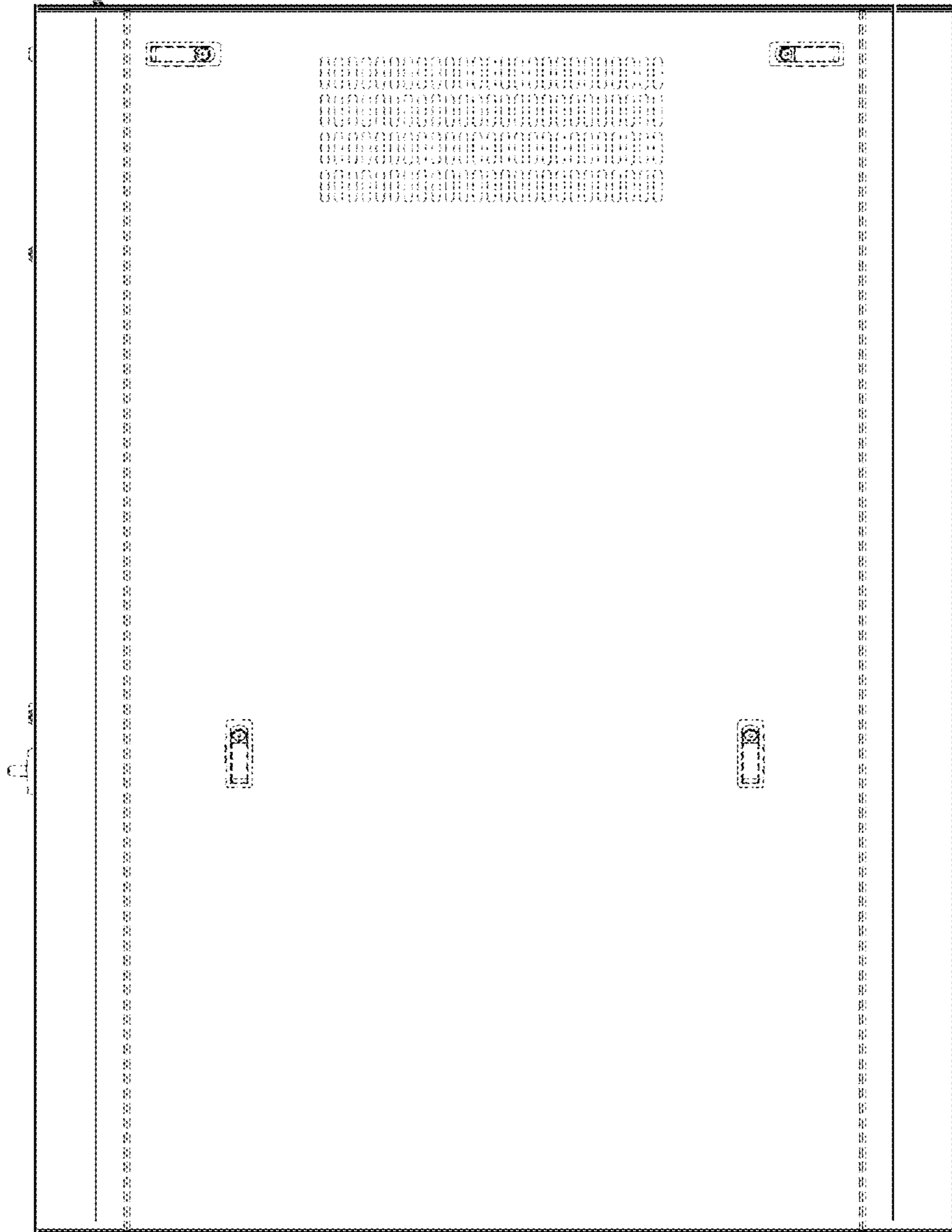


FIG. 3

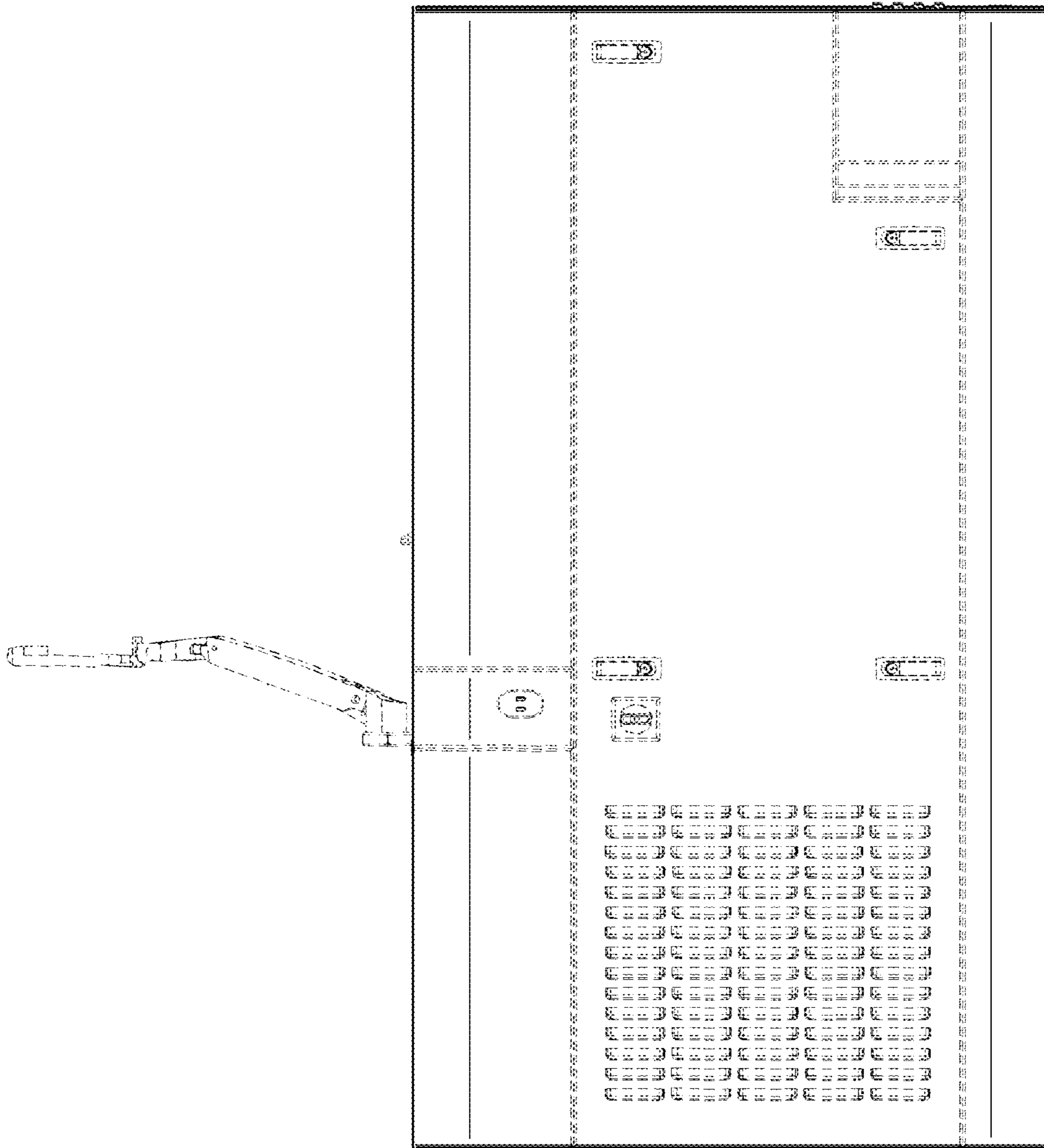


FIG. 4

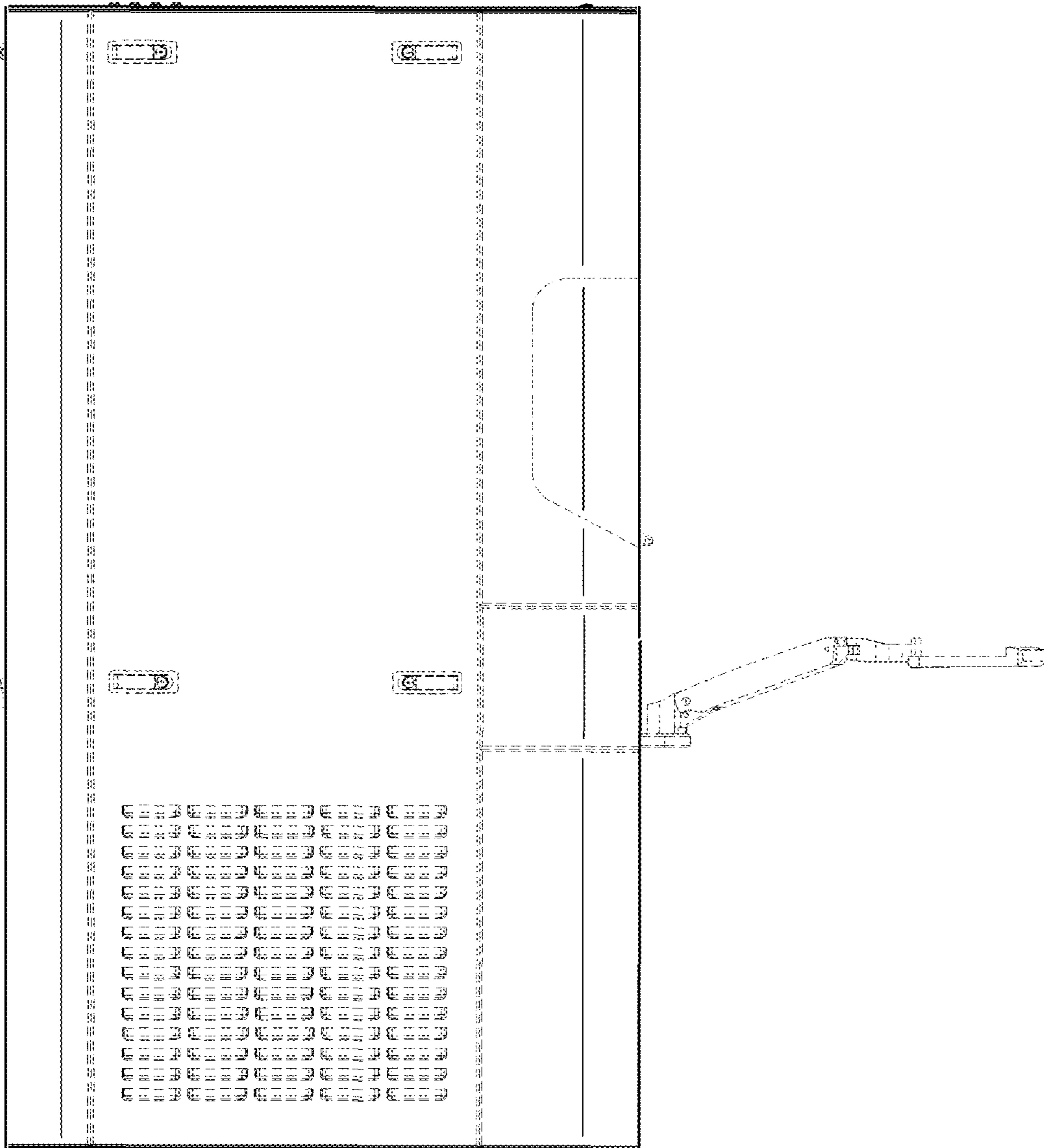


FIG. 5

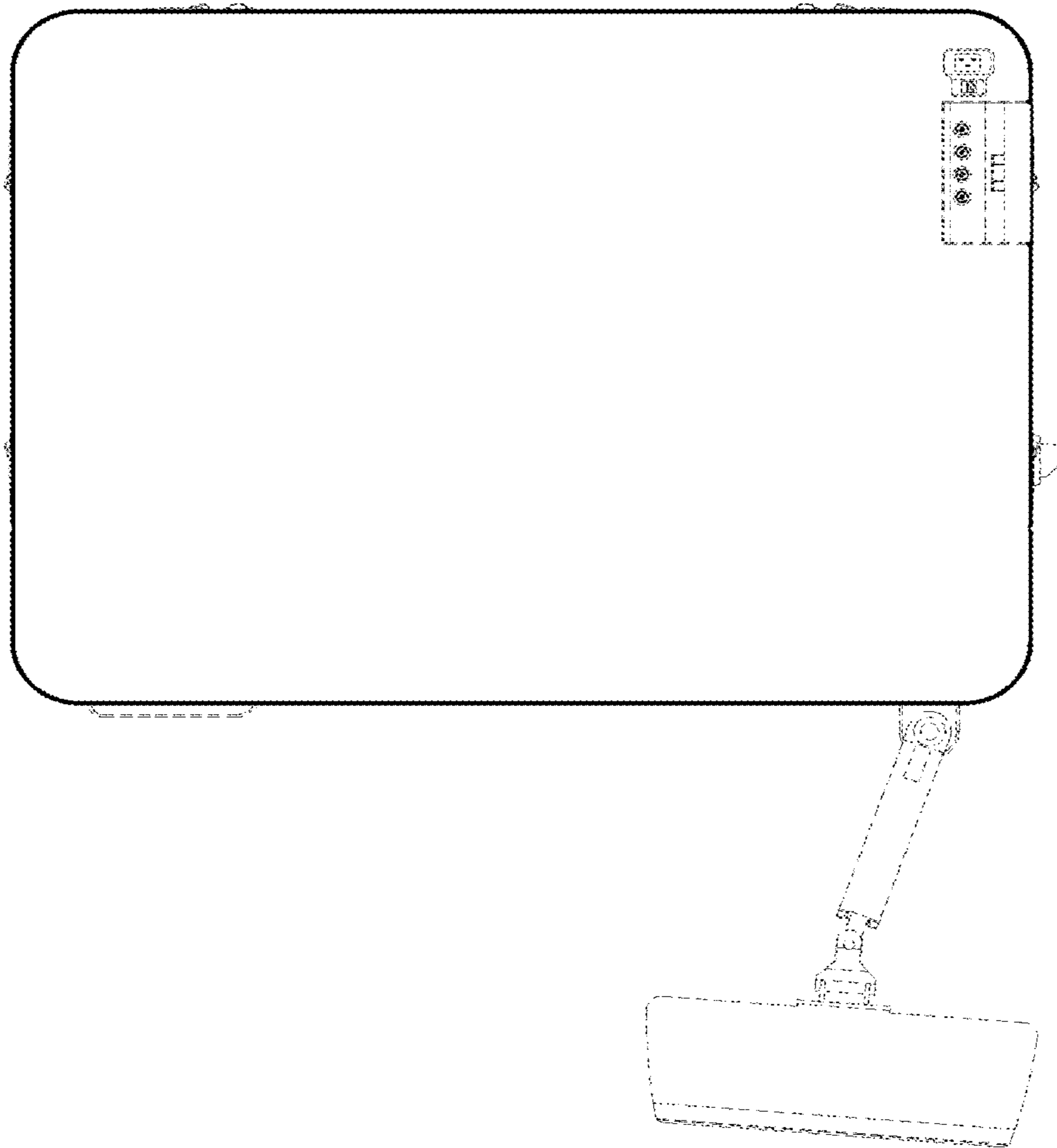


FIG. 6

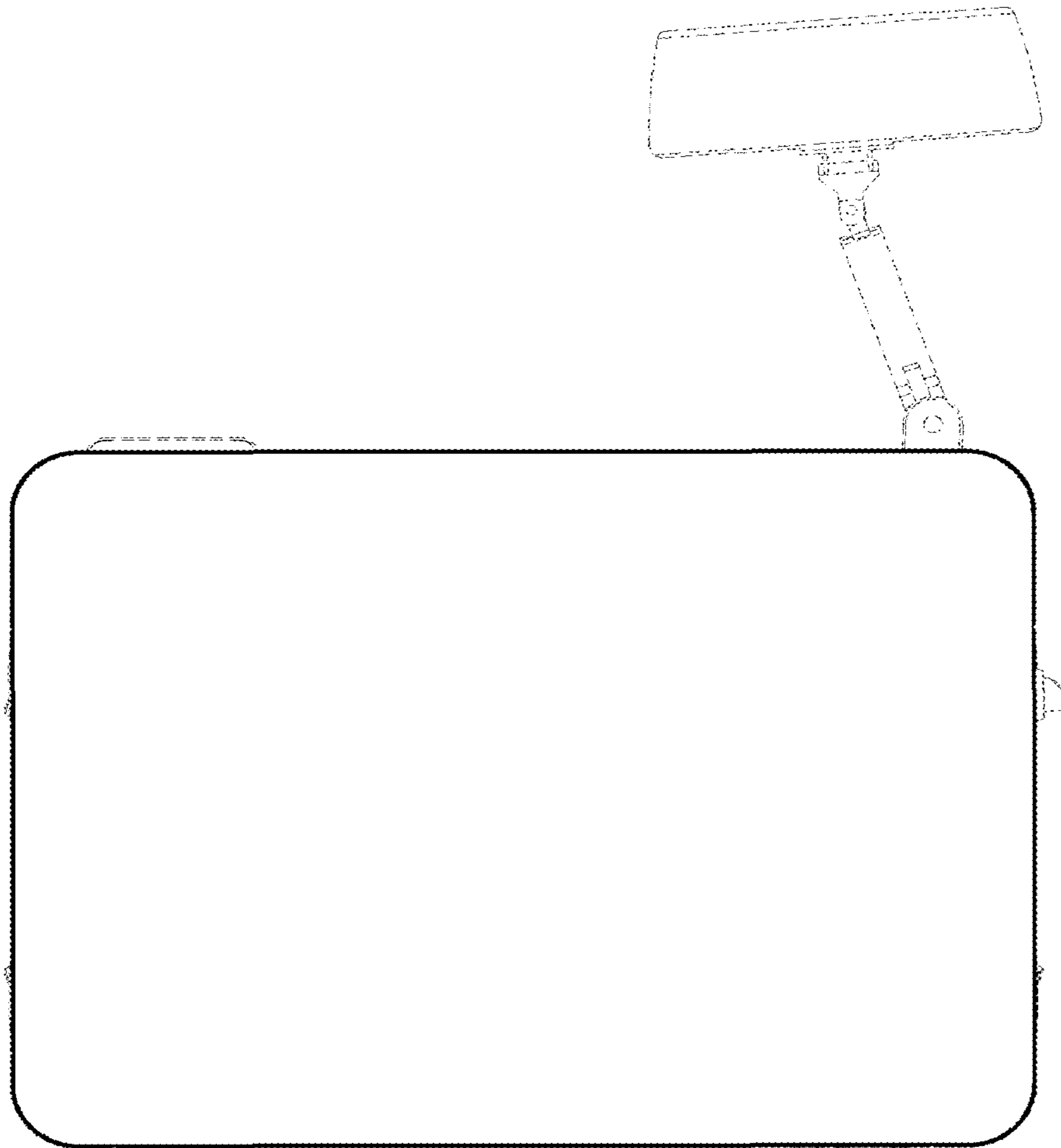


FIG. 7