



US00D887293S

(12) **United States Design Patent** (10) **Patent No.:** **US D887,293 S**  
**Waldron** (45) **Date of Patent:** **\*\* Jun. 16, 2020**

(54) **TILING LASER GENERATING TOOL**

2099/004; B62J 2099/0013; B62J 2099/0033; B62J 3/00

(71) Applicant: **7RDD Limited**, York (GB)

See application file for complete search history.

(72) Inventor: **Michael Waldron**, York (GB)

(56) **References Cited**

(73) Assignee: **7RDD LIMITED**, Dunnington York North Yorkshire (GB)

U.S. PATENT DOCUMENTS

(\*\*) Term: **15 Years**

D349,462 S *	8/1994	Douglas	.....	D10/62
D428,348 S *	7/2000	Hatfield	.....	D10/62
8,966,776 B2 *	3/2015	Kelly	.....	G01C 15/12
				33/286
D754,552 S *	4/2016	Chi	.....	D10/69

(21) Appl. No.: **29/675,375**

\* cited by examiner

(22) Filed: **Dec. 31, 2018**

*Primary Examiner* — Antoine Duval Davis  
(74) *Attorney, Agent, or Firm* — Woodard, Emhardt, Henry, Reeves & Wagner, LLP

**Related U.S. Application Data**

(63) Continuation of application No. 29/606,845, filed on Jun. 8, 2017, now abandoned.

(57) **CLAIM**

The ornamental design for a tiling laser generating tool, as shown and described.

(51) **LOC (12) Cl.** ..... **10-04**

(52) **U.S. Cl.**  
USPC ..... **D10/69; D10/65**

**DESCRIPTION**

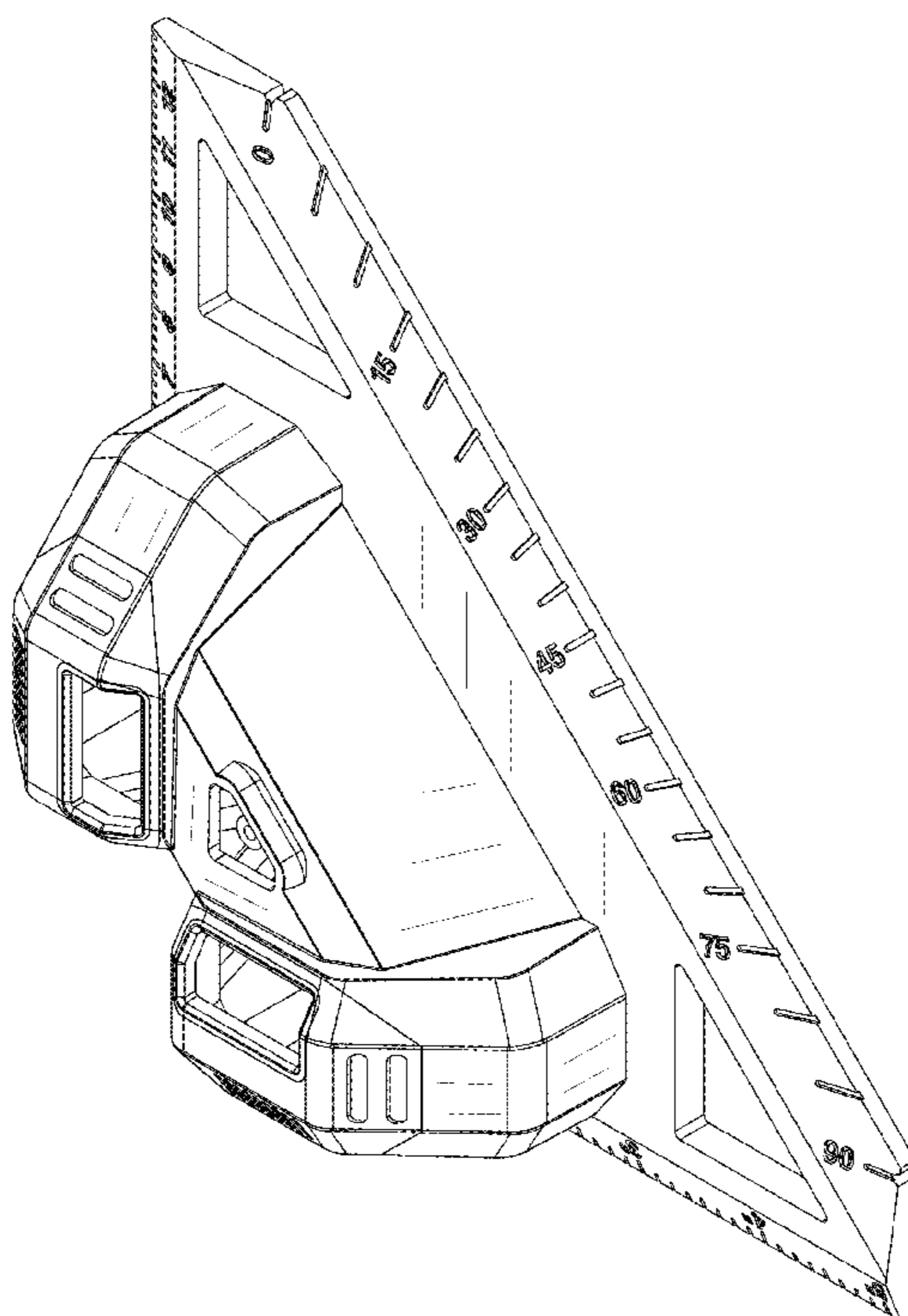
(58) **Field of Classification Search**

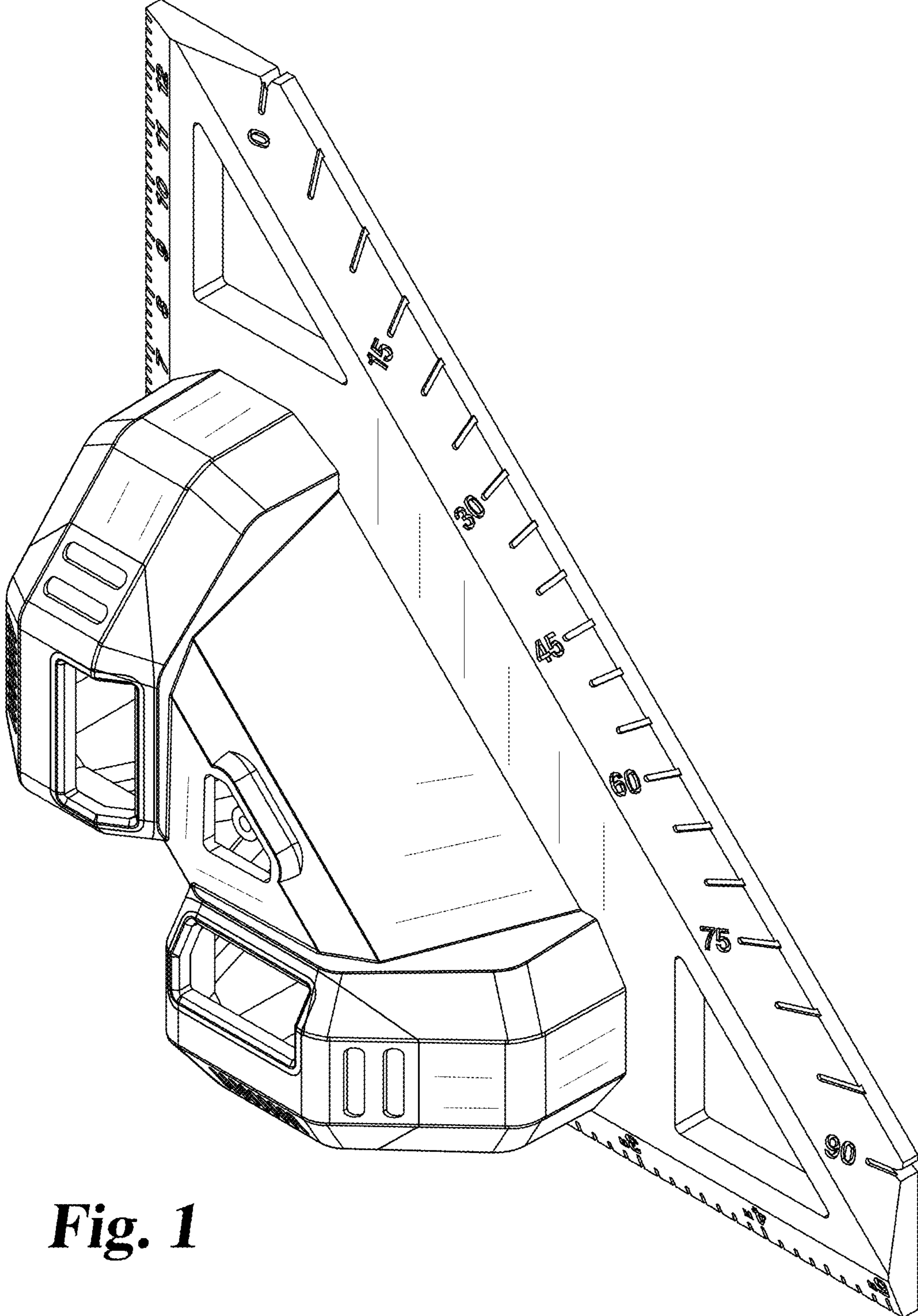
USPC ..... D10/62, 65, 66, 69  
 CPC .... G01C 15/00; G01C 15/002; G01C 15/004; G01C 15/006; G01C 15/008; G01C 15/02; G01C 15/04; G01C 15/06; G01C 15/08; G01C 15/10; G01C 15/105; G01C 15/12; G01C 15/14; G01C 23/00; G01C 22/002; B25H 7/00; B25H 7/02; B43L 7/027; E04D 15/025; G01B 11/26; G01B 3/566; G01B 3/30; G01V 3/02; G01V 3/10; G01V 3/15; G01V 3/104; G01V 3/107; G01P 3/489; G01P 1/04; G01P 1/06; B62J 99/00; B62J 2099/0026; B62J

FIG. 1 is a perspective view of the tiling laser generating tool incorporating my new design;  
 FIG. 2 is a front view thereof;  
 FIG. 3 is a top view thereof;  
 FIG. 4 is a bottom view thereof;  
 FIG. 5 is a left view thereof;  
 FIG. 6 is a right view thereof; and,  
 FIG. 7 is a rear view thereof.

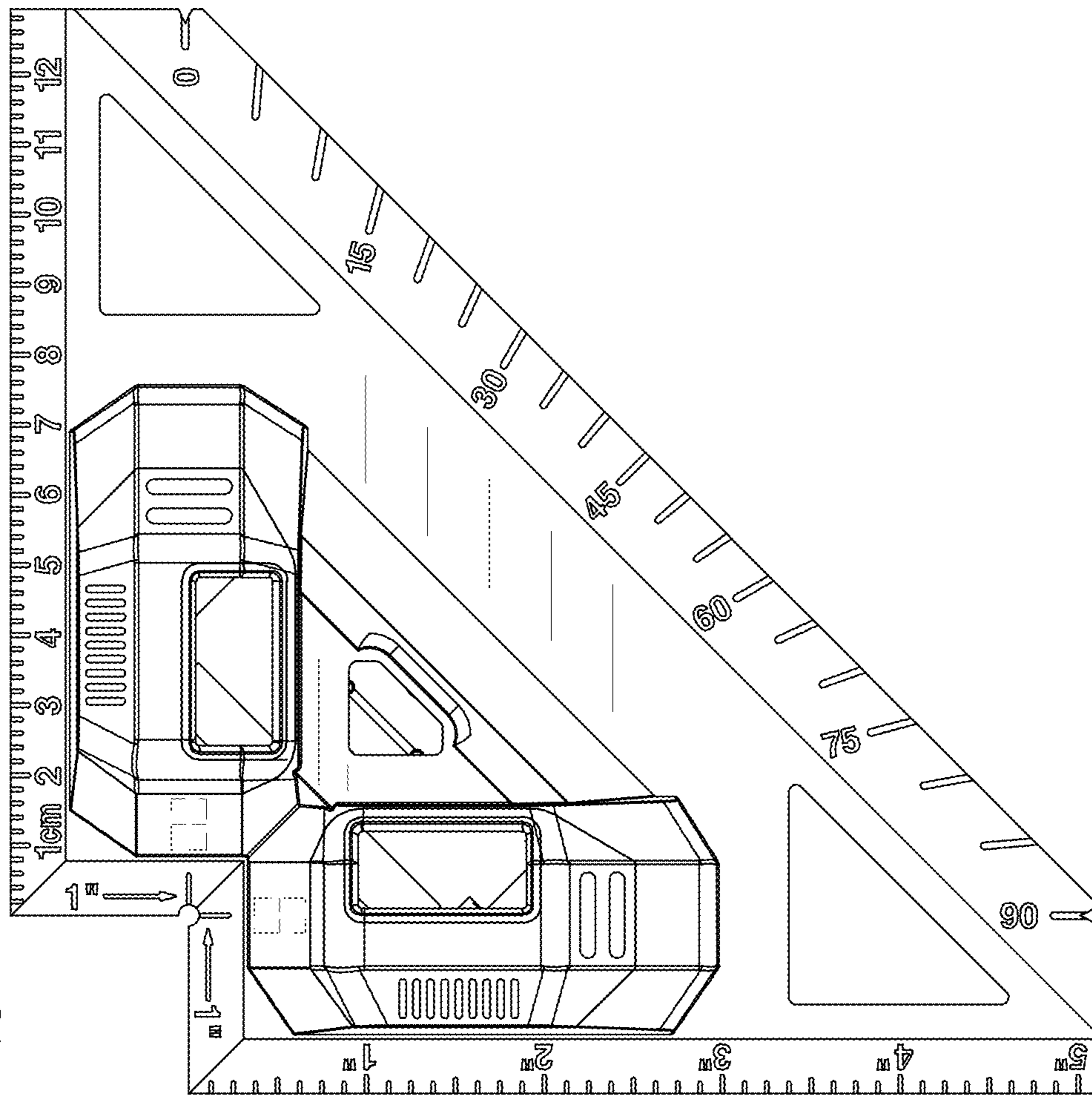
The portions of the tiling laser generating tool shown in FIGS. 2, 4, 5 and 7 in broken lines form no part of the claimed design.

**1 Claim, 4 Drawing Sheets**

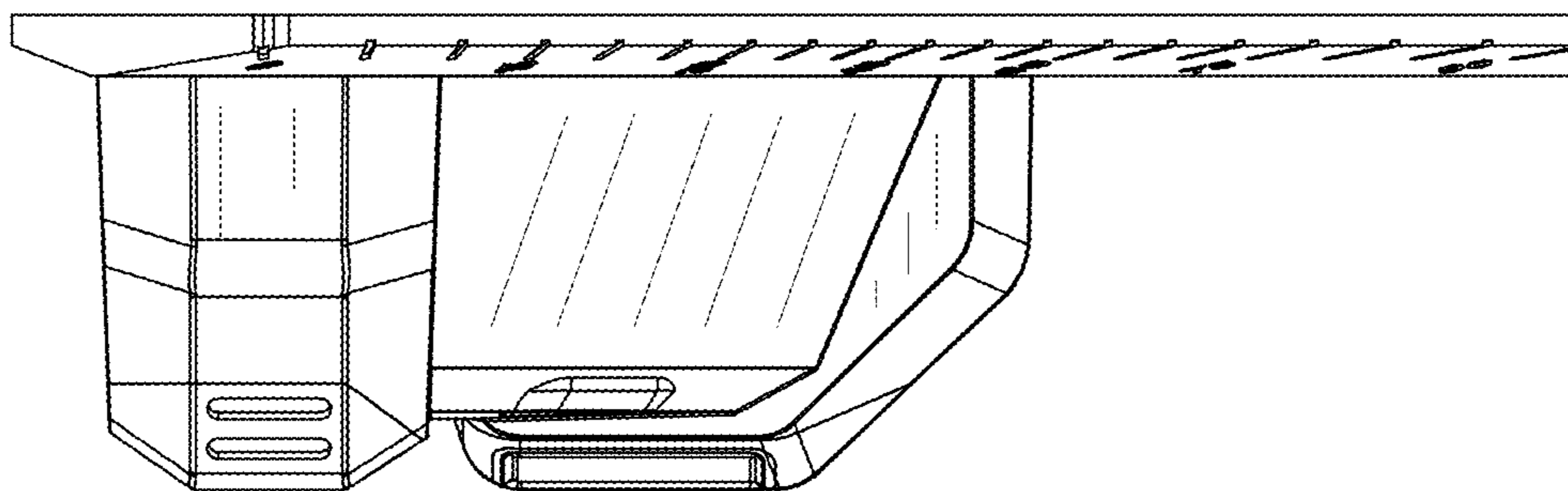




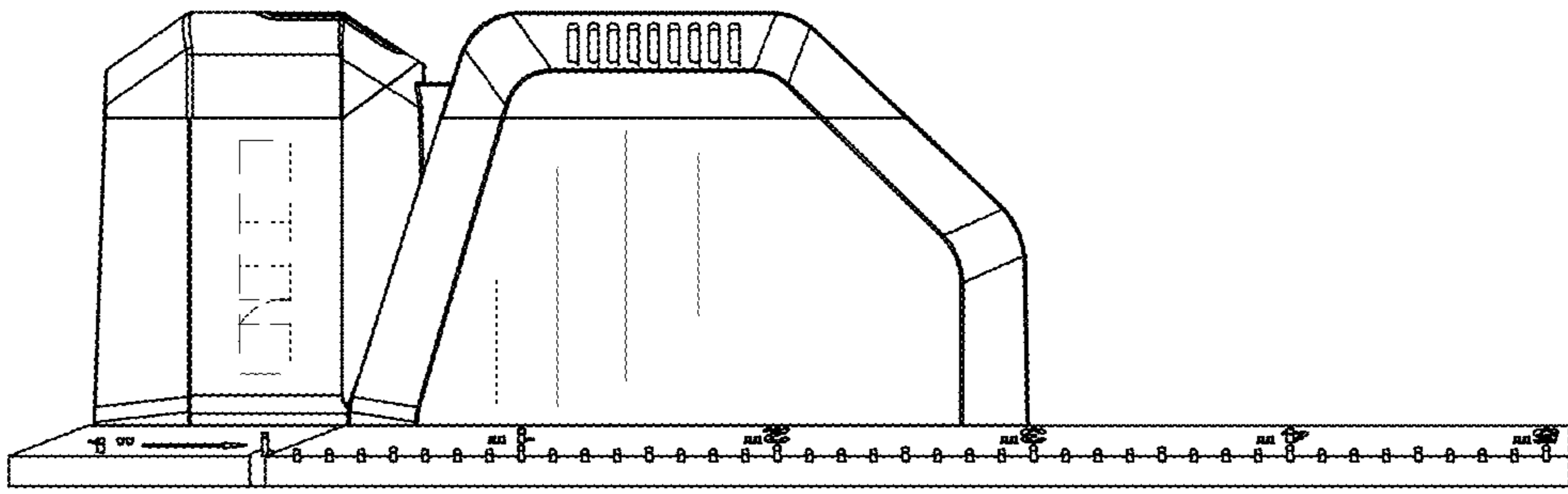
**Fig. 1**



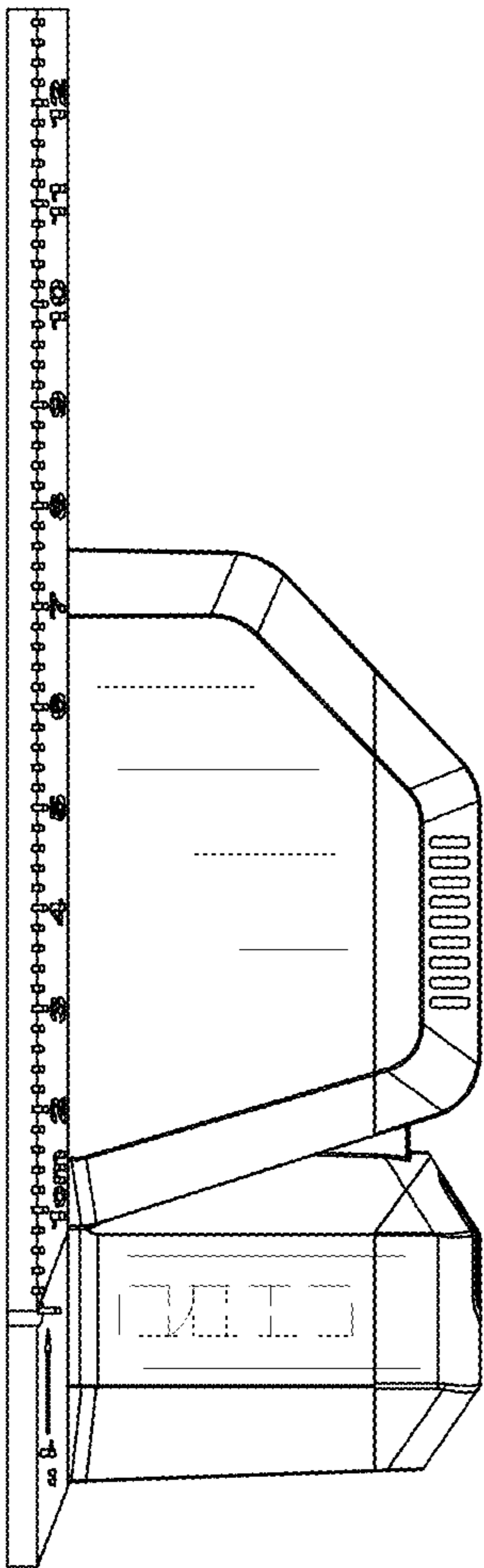
**Fig. 2**



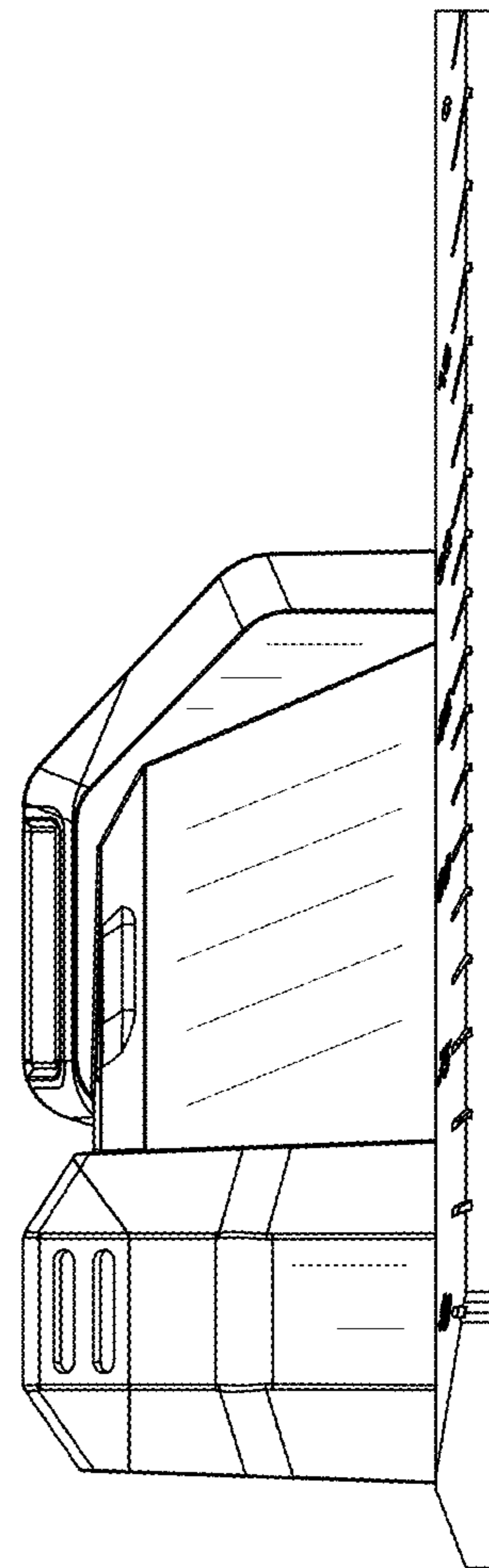
**Fig. 3**



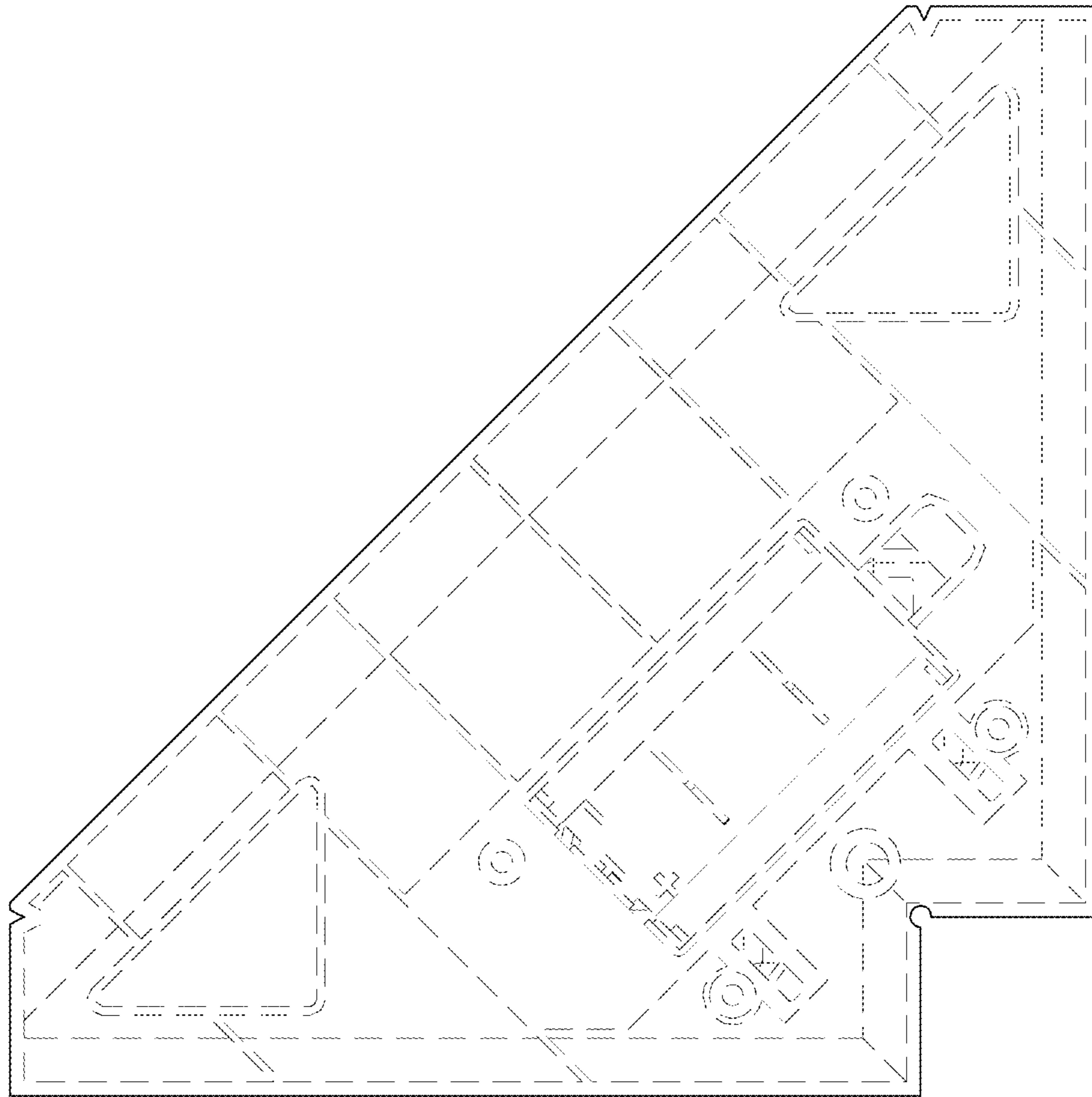
**Fig. 4**



**Fig. 5**



**Fig. 6**



**Fig. 7**