



US00D887292S

(12) **United States Design Patent** (10) **Patent No.:** **US D887,292 S**  
**Rustill** (45) **Date of Patent:** **\*\* Jun. 16, 2020**

(54) **CROSS LINE LASER GENERATING TOOL**

(56) **References Cited**

(71) Applicant: **7RDD Limited**, York (GB)

U.S. PATENT DOCUMENTS

(72) Inventor: **Neil Aaron Rustill**, York (GB)

7,181,853 B2 \* 2/2007 Heger ..... G01C 15/00  
33/281

(73) Assignee: **7RDD LIMITED**, Dunnington York  
North Yorkshire (GB)

D573,489 S \* 7/2008 Sauvage ..... D10/69  
7,392,592 B2 \* 7/2008 Bublitz ..... G01C 15/004  
33/290

(\*\*) Term: **15 Years**

\* cited by examiner

(21) Appl. No.: **29/675,373**

*Primary Examiner* — Antoine Duval Davis  
(74) *Attorney, Agent, or Firm* — Woodard, Emhardt,  
Henry, Reeves & Wagner, LLP

(22) Filed: **Dec. 31, 2018**

(57) **CLAIM**

The ornamental design for a cross line laser generating tool,  
as shown and described.

**Related U.S. Application Data**

**DESCRIPTION**

(63) Continuation of application No. 29/606,849, filed on  
Jun. 8, 2017, now abandoned.

(51) **LOC (12) Cl.** ..... **10-04**

(52) **U.S. Cl.**  
USPC ..... **D10/69**

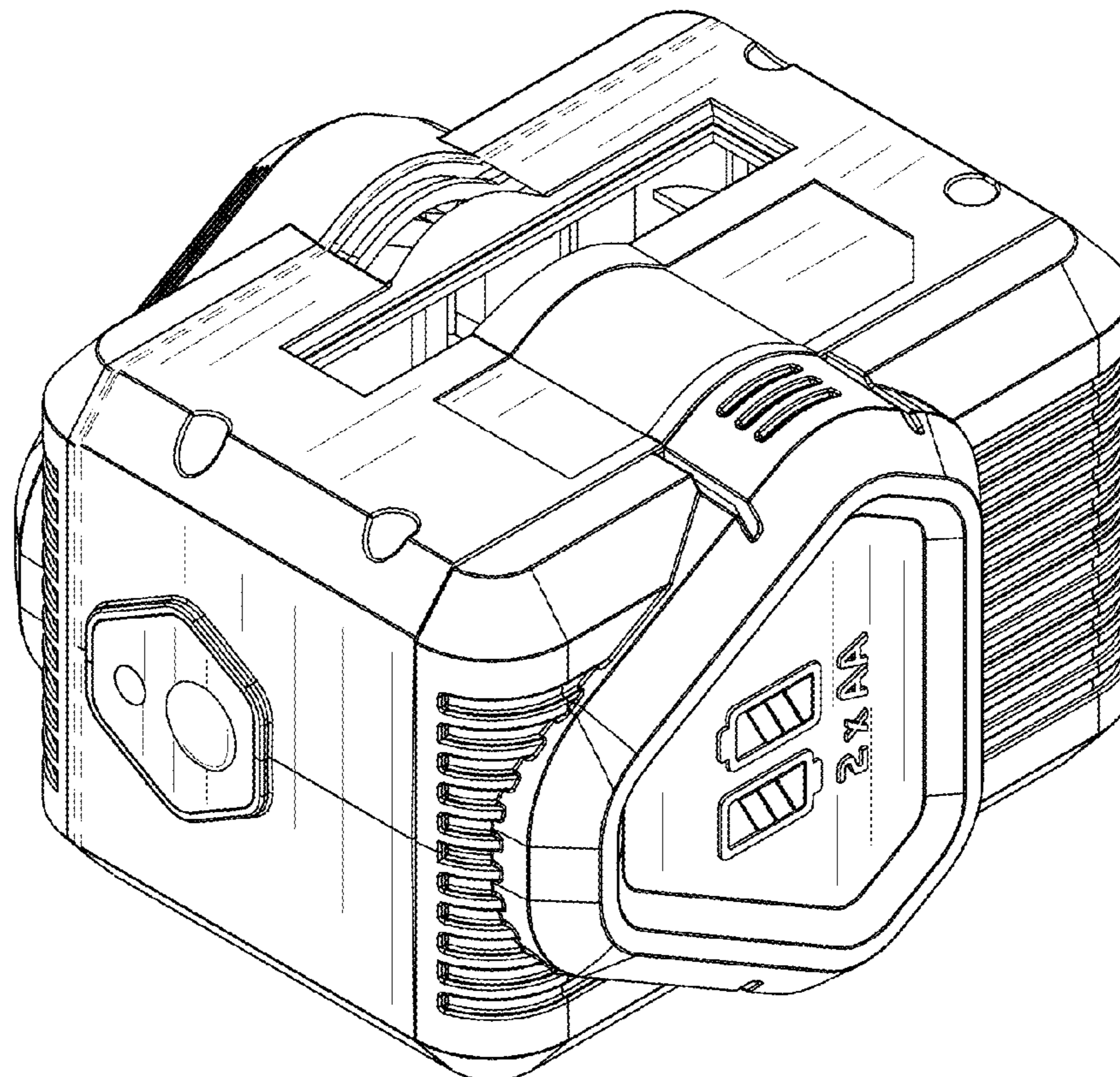
(58) **Field of Classification Search**  
USPC ..... D10/66, 69  
CPC .... G01C 15/00; G01C 15/002; G01C 15/004;  
G01C 15/006; G01C 15/008; G01C  
15/02; G01C 15/04; G01C 15/06; G01C  
15/08; G01C 15/10; G01C 15/105; G01C  
15/12; G01C 15/14; G01C 23/00

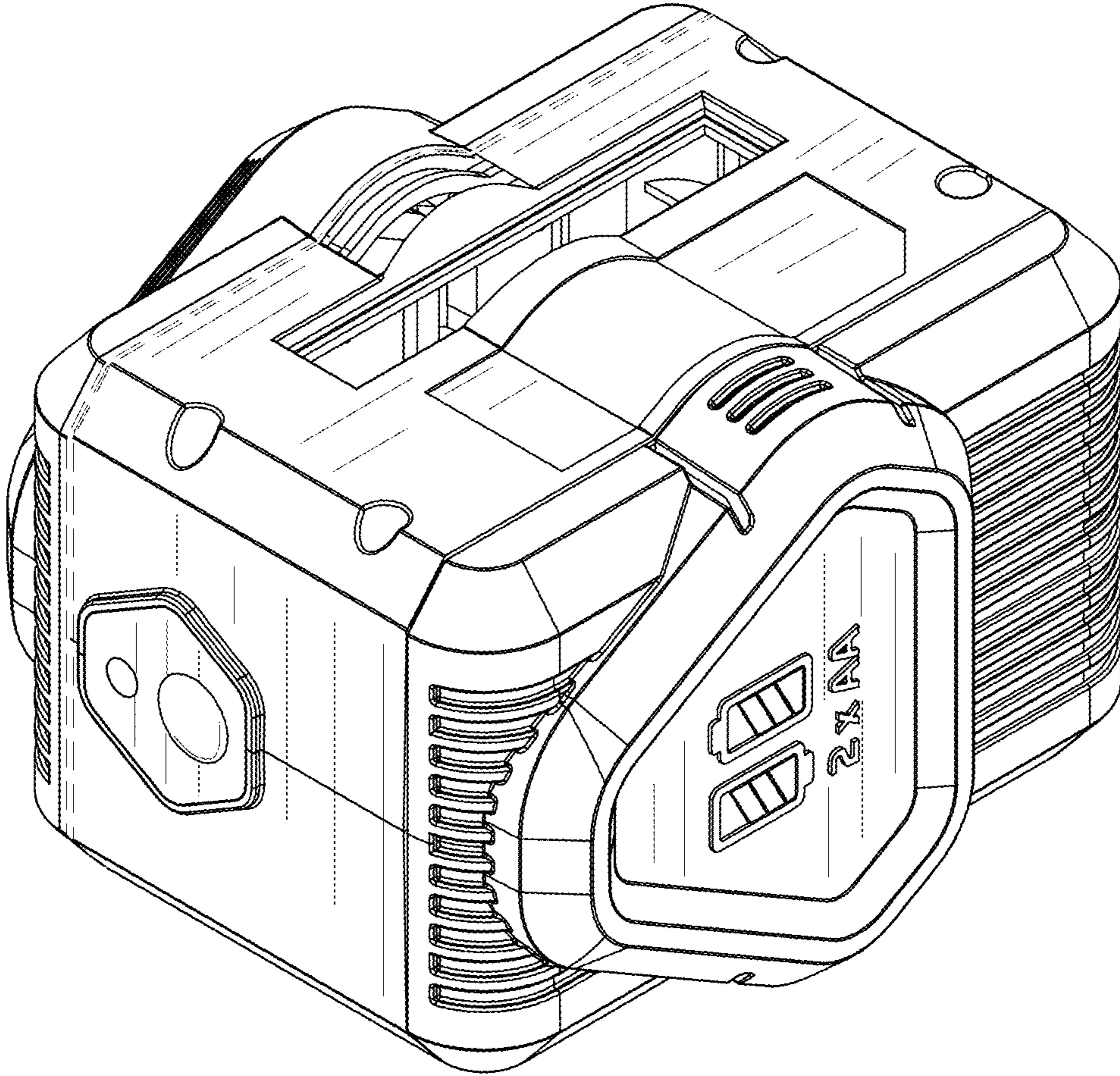
FIG. 1 is a perspective view of the cross line laser generating  
tool incorporating my new design;  
FIG. 2 is a front view thereof;  
FIG. 3 is a top view thereof;  
FIG. 4 is a bottom view thereof;  
FIG. 5 is a left view thereof;  
FIG. 6 is a right view thereof; and,  
FIG. 7 is a rear view thereof.

The portions of the cross line laser generating tool shown in  
FIGS. 1-5 and 7 in broken lines form no part of the claimed  
design.

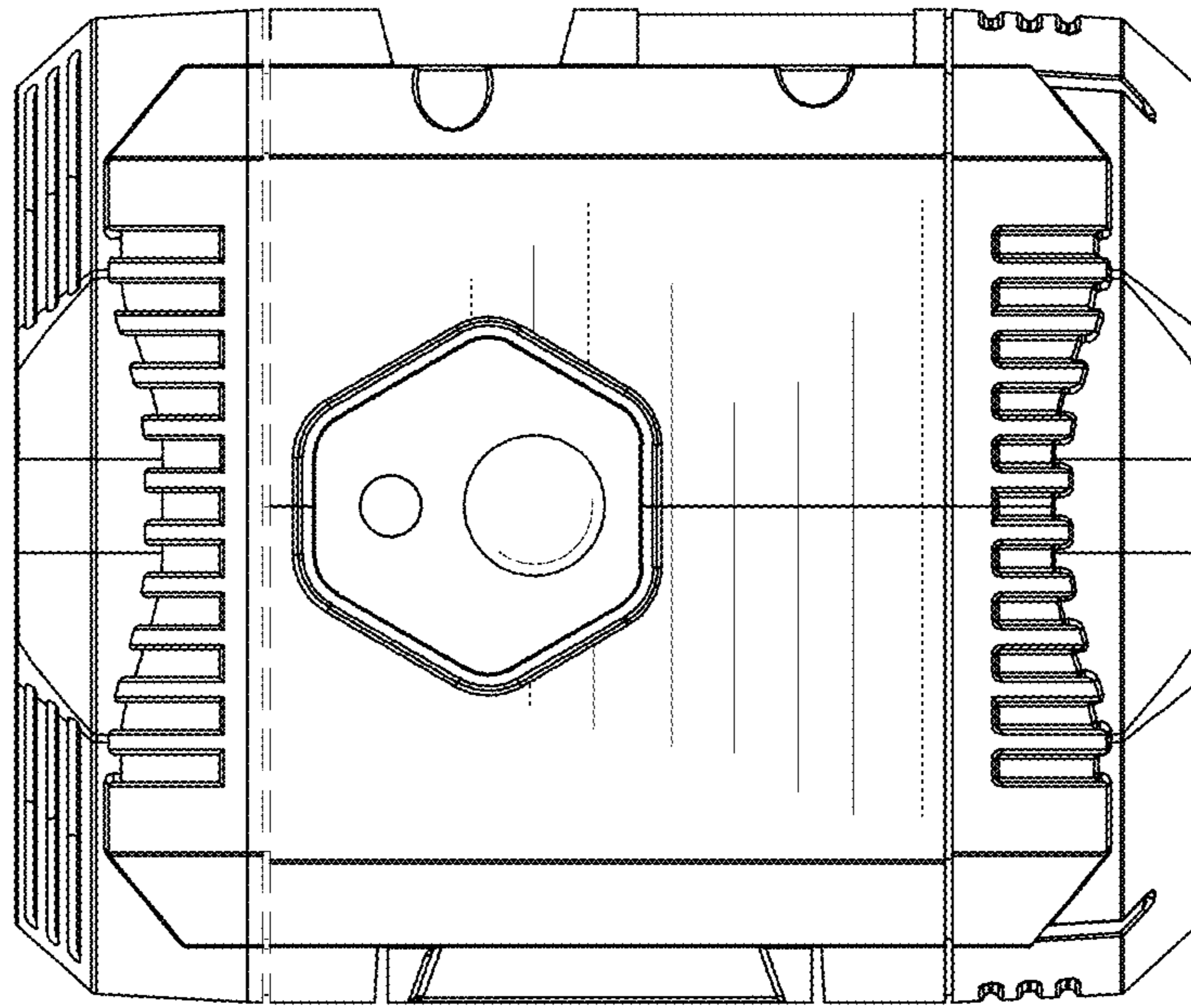
See application file for complete search history.

**1 Claim, 4 Drawing Sheets**

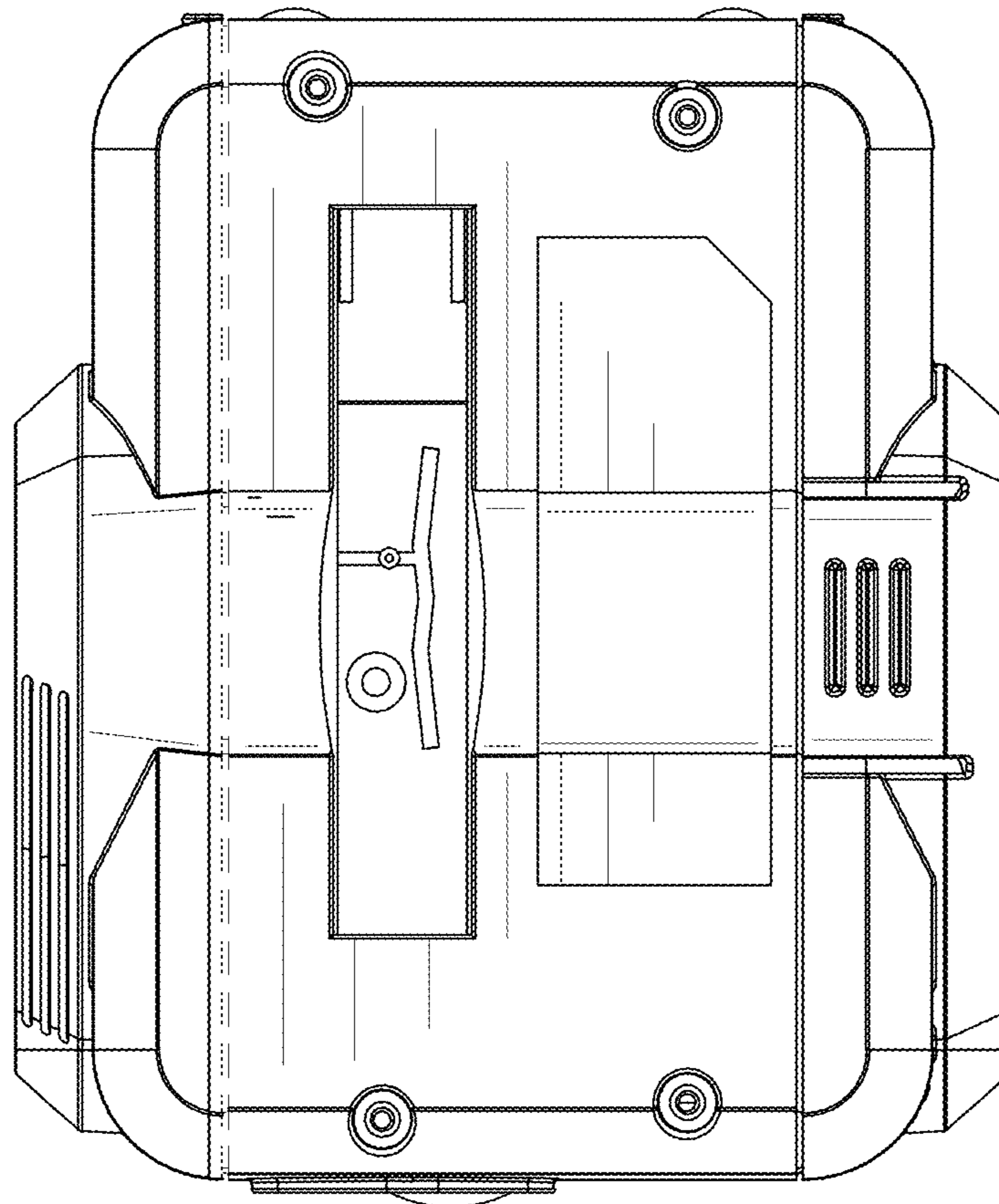




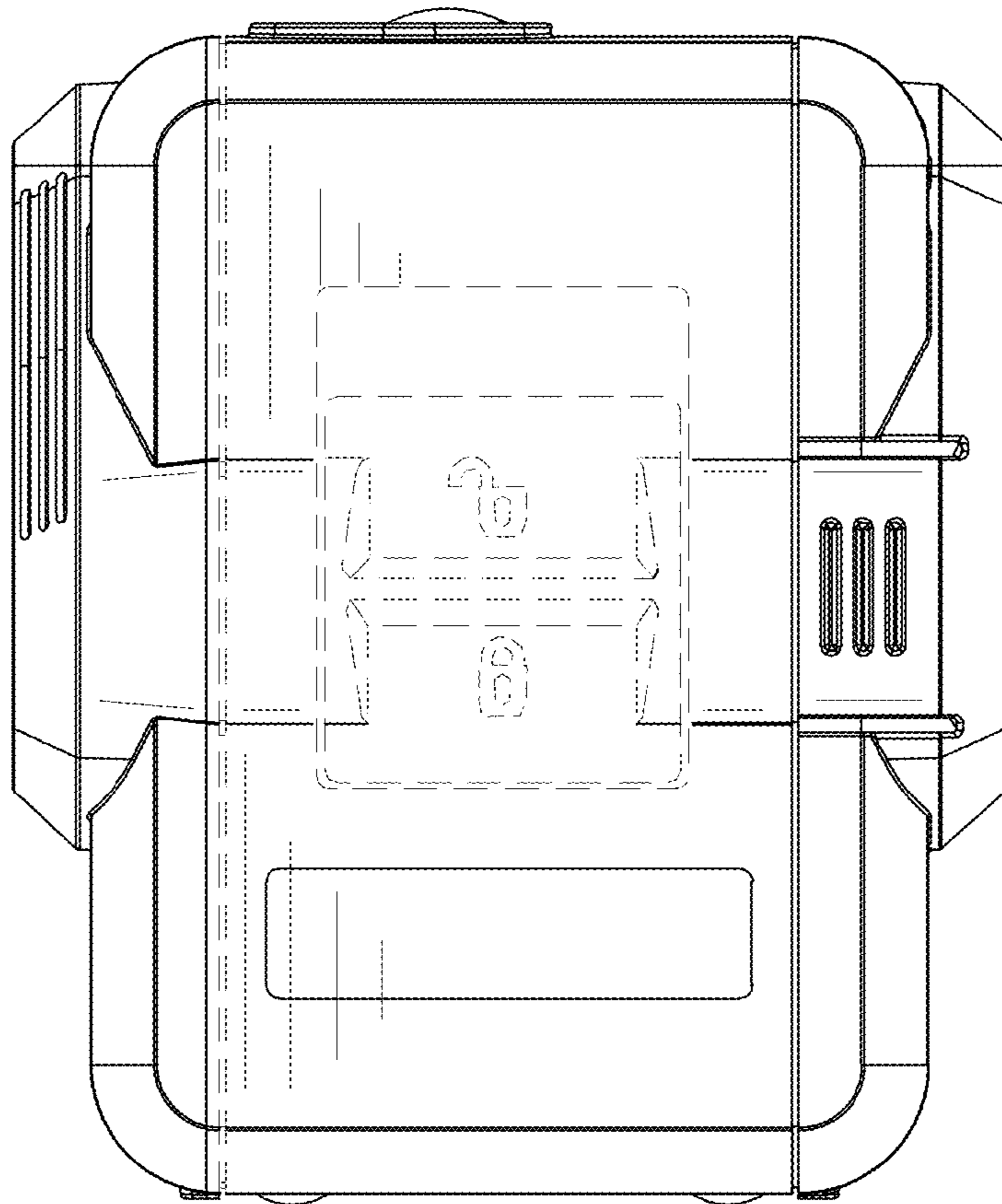
**Fig. 1**



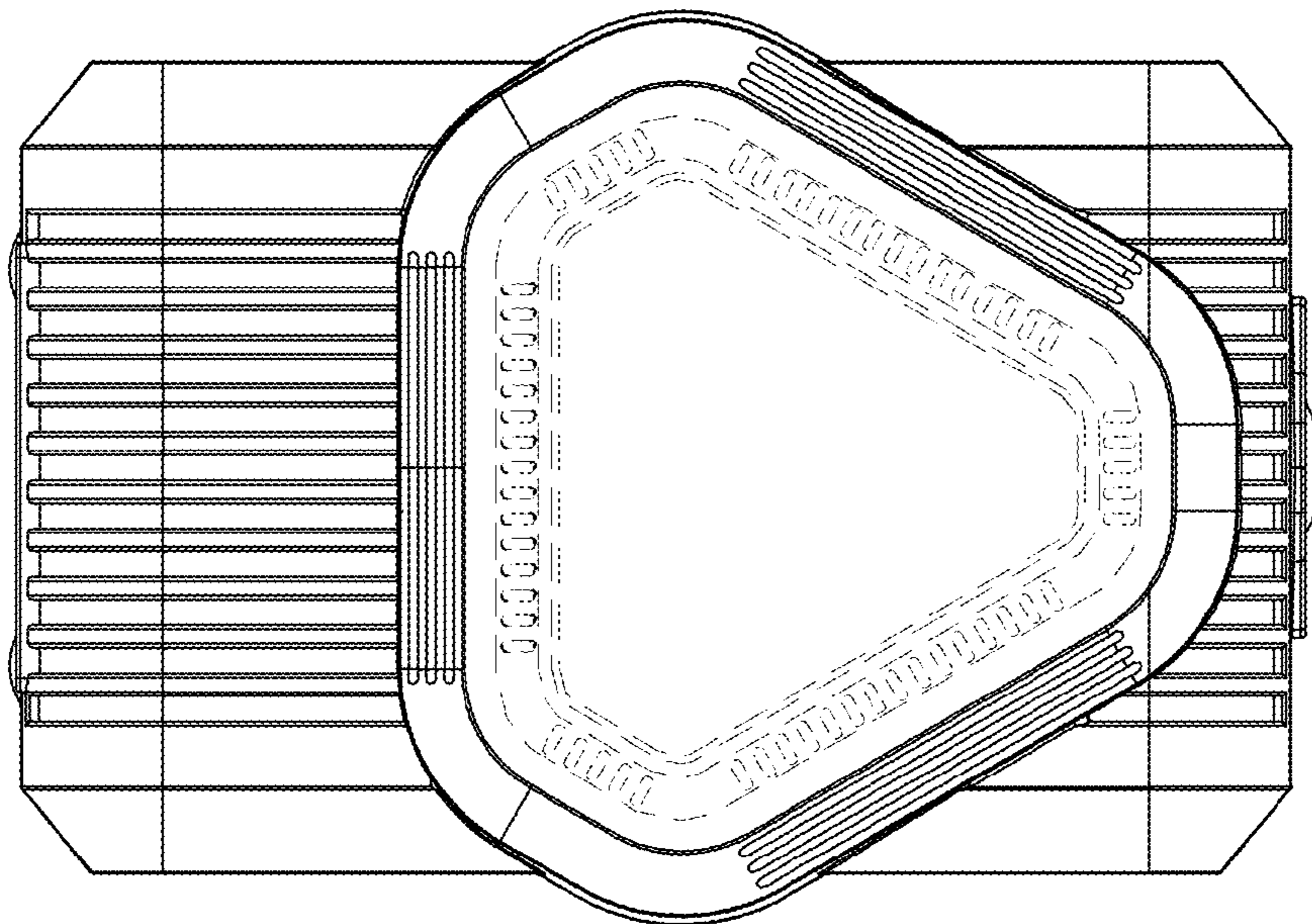
**Fig. 2**



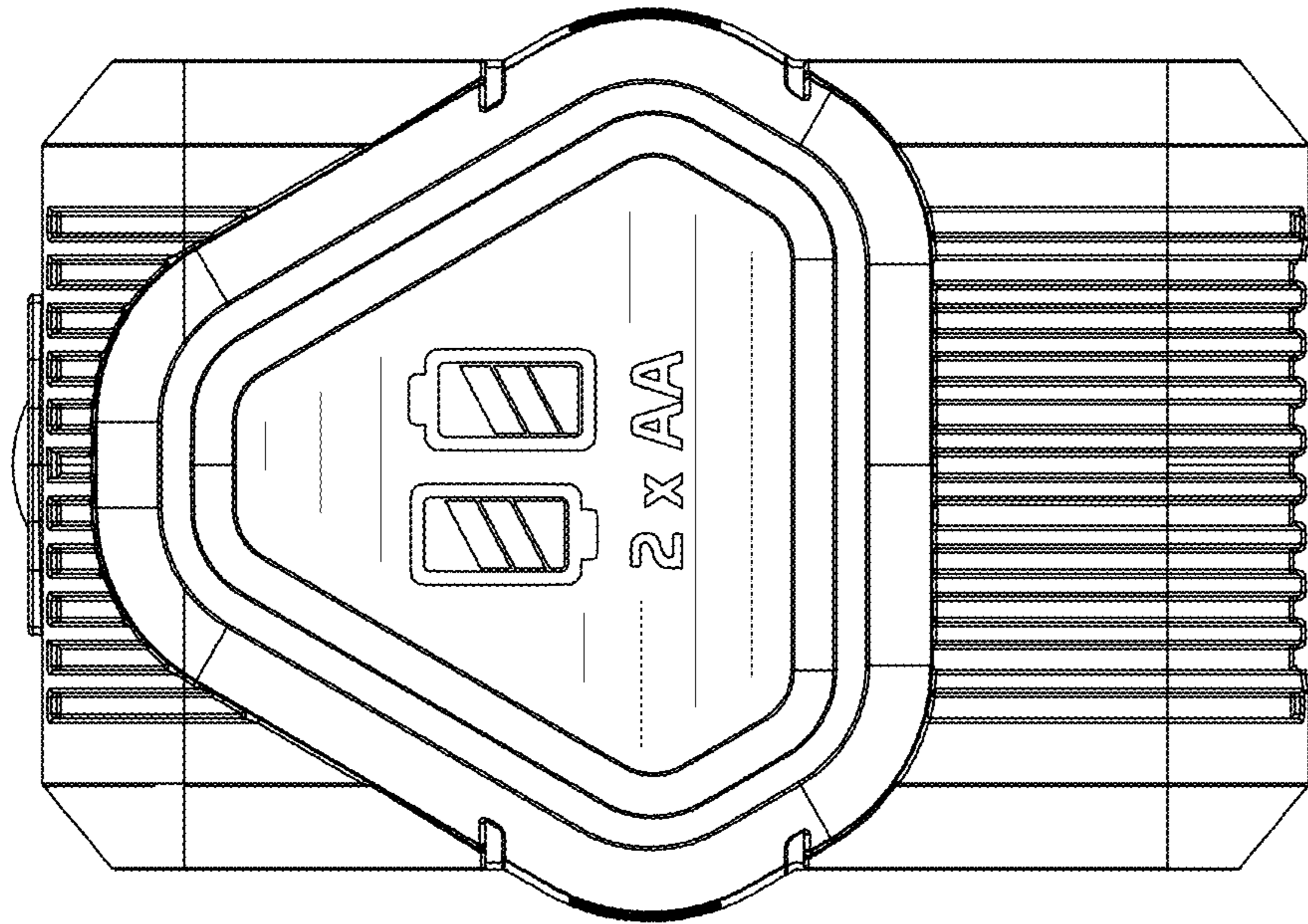
**Fig. 3**



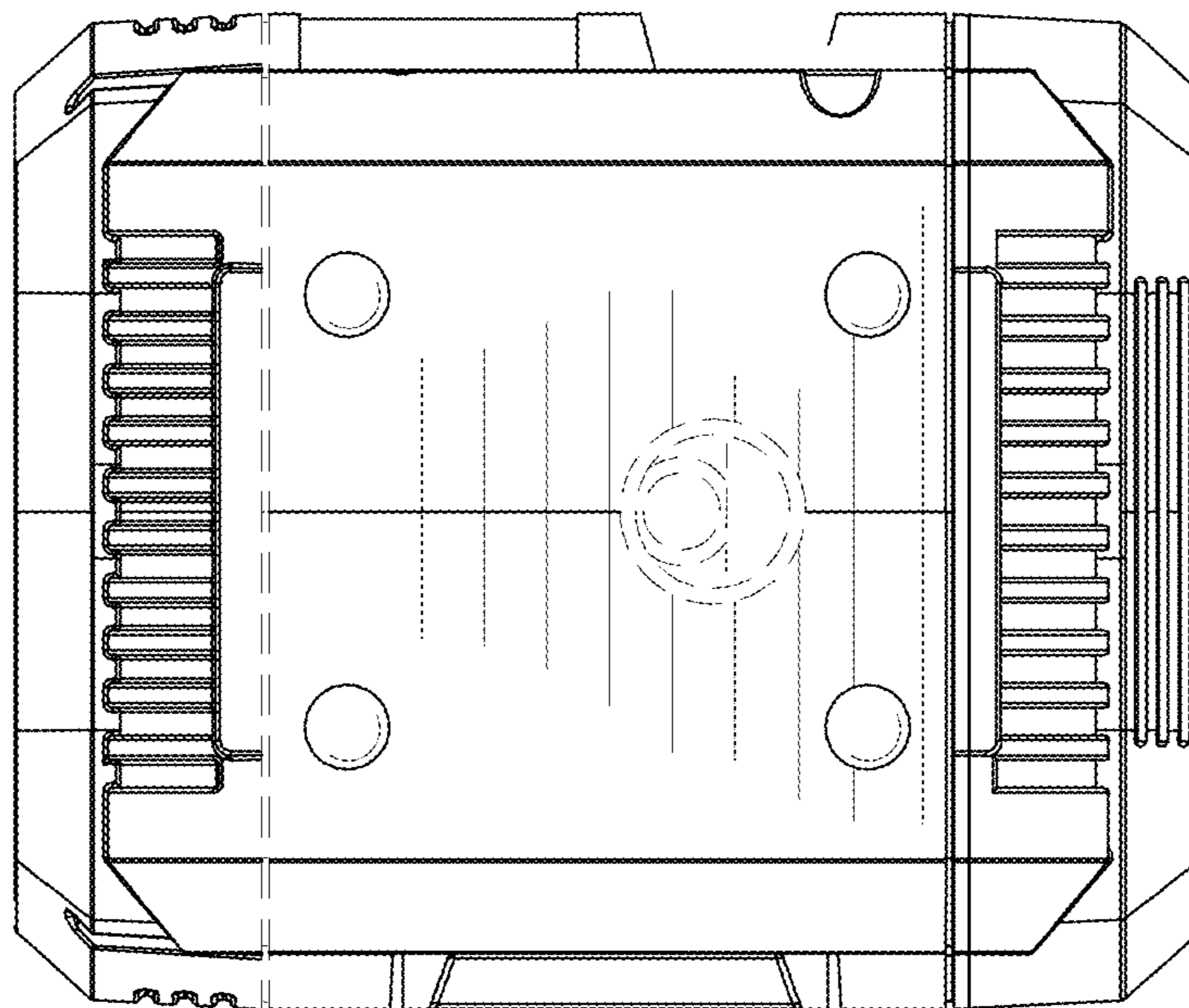
**Fig. 4**



**Fig. 5**



**Fig. 6**



**Fig. 7**