



US00D887291S

(12) **United States Design Patent**  
**Waldron**

(10) **Patent No.:** **US D887,291 S**  
(45) **Date of Patent:** **\*\* Jun. 16, 2020**

(54) **360 DEGREE LASER GENERATING TOOL**

(71) Applicant: **7RDD Limited**, York (GB)

(72) Inventor: **Michael Waldron**, York (GB)

(73) Assignee: **7RDD LIMITED**, Dunnington York  
North Yorkshire (GB)

(\*\*) Term: **15 Years**

(21) Appl. No.: **29/675,369**

(22) Filed: **Dec. 31, 2018**

**Related U.S. Application Data**

(63) Continuation of application No. 29/606,841, filed on  
Jun. 8, 2017, now abandoned.

(51) **LOC (12) Cl.** ..... **10-04**

(52) **U.S. Cl.**  
USPC ..... **D10/69**

(58) **Field of Classification Search**  
USPC ..... D10/66, 69  
CPC .... G01C 15/00; G01C 15/002; G01C 15/004;  
G01C 15/006; G01C 15/008; G01C  
15/02; G01C 15/04; G01C 15/06; G01C  
15/08; G01C 15/10; G01C 15/105; G01C  
15/12; G01C 15/14; G01C 23/00  
See application file for complete search history.

(56) **References Cited**

**U.S. PATENT DOCUMENTS**

7,685,723 B2 \* 3/2010 Kallabis ..... G01C 15/004  
33/286  
8,360,240 B2 \* 1/2013 Kallabis ..... G01C 15/004  
206/305

D738,235 S \* 9/2015 Riegl ..... D10/66  
9,239,227 B1 \* 1/2016 Lin ..... G01B 11/002  
9,497,443 B1 \* 11/2016 Sundheimer ..... G06T 7/73  
9,652,852 B2 \* 5/2017 Becker ..... G06T 7/48  
9,846,033 B2 \* 12/2017 Palatshe ..... G01C 9/02  
9,927,290 B2 \* 3/2018 Busam ..... G01J 1/42

\* cited by examiner

*Primary Examiner* — Antoine Duval Davis

(74) *Attorney, Agent, or Firm* — Woodard, Emhardt,  
Henry, Reeves & Wagner, LLP

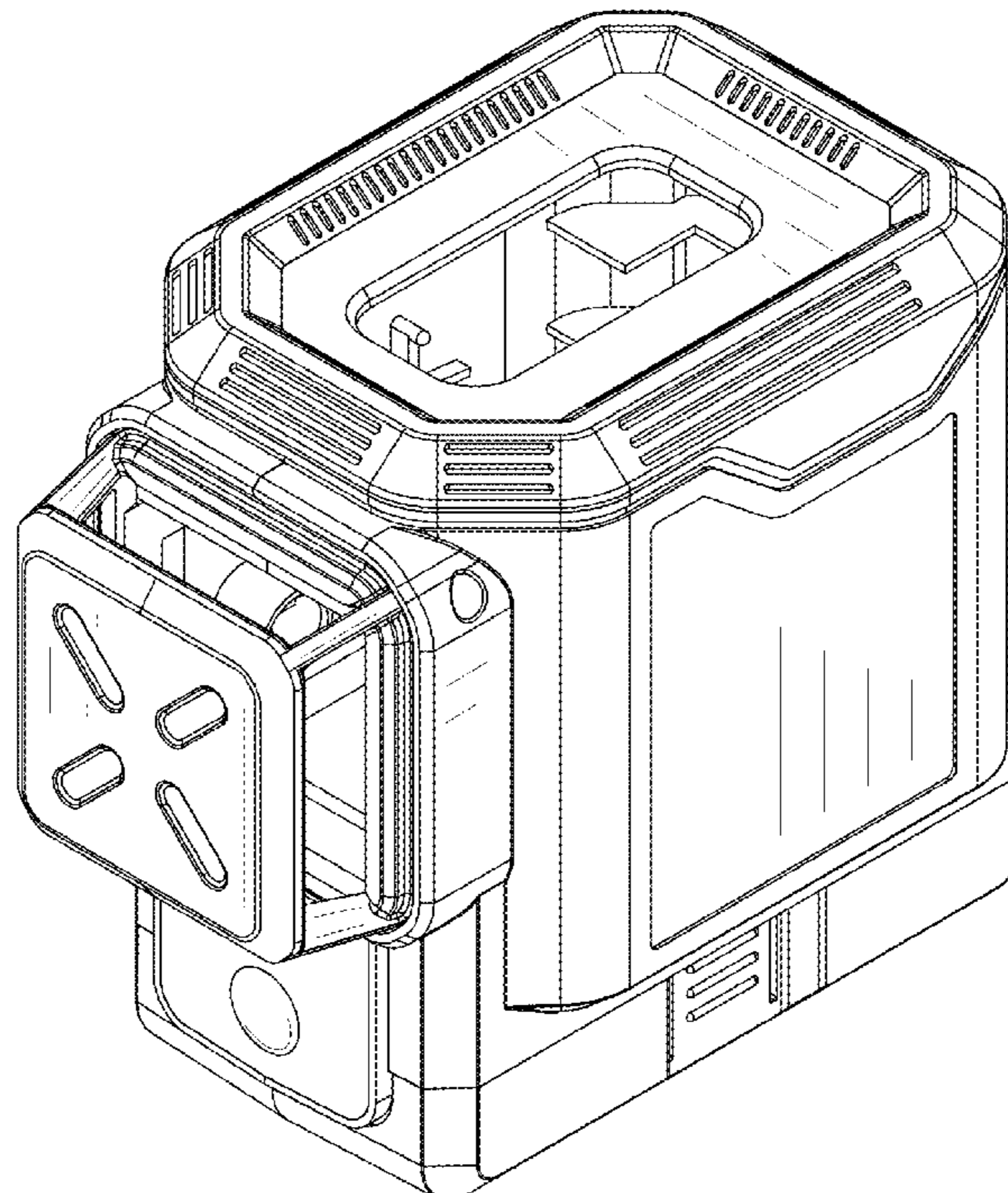
(57) **CLAIM**

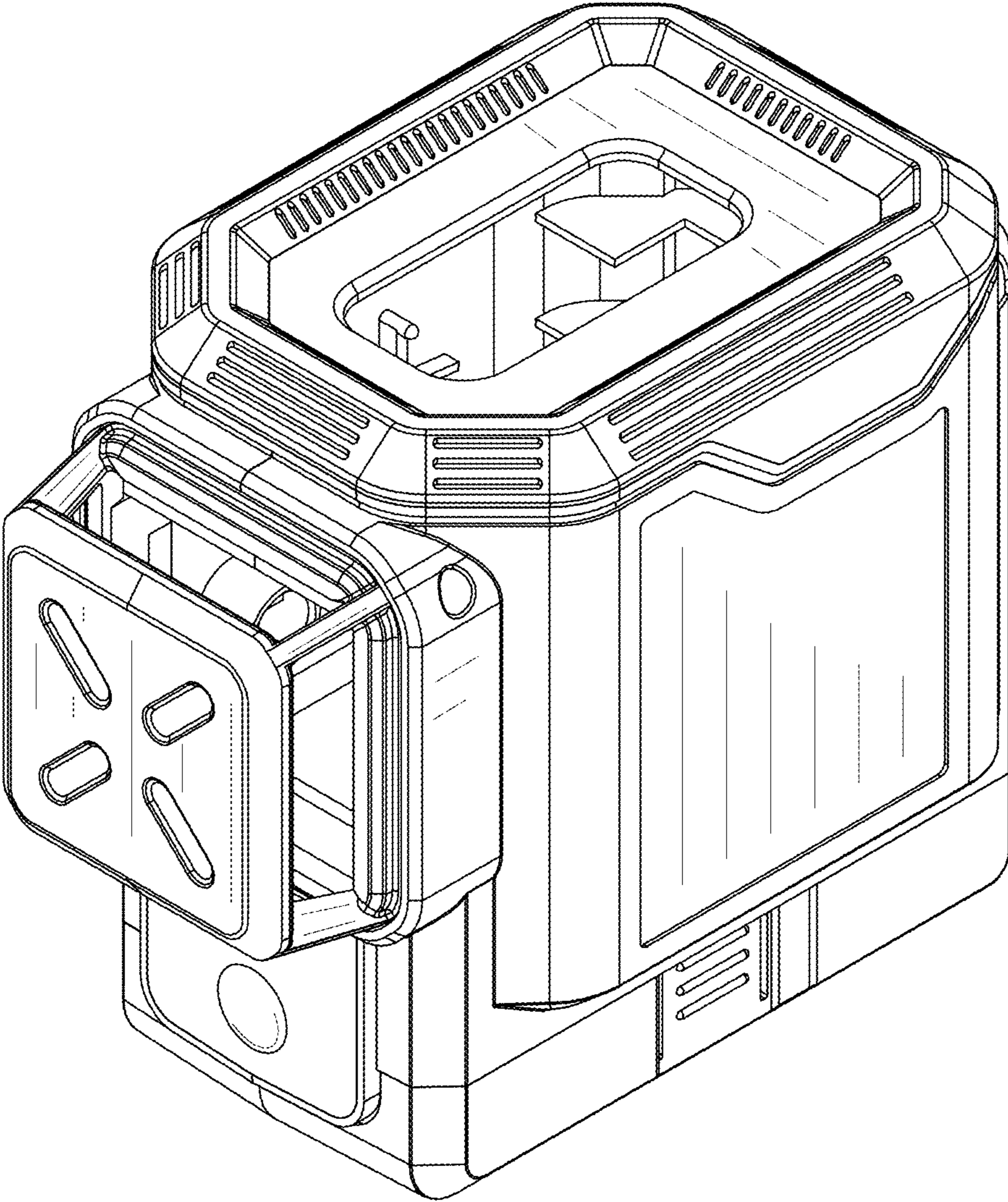
The ornamental design for a 360 degree laser generating  
tool, as shown and described.

**DESCRIPTION**

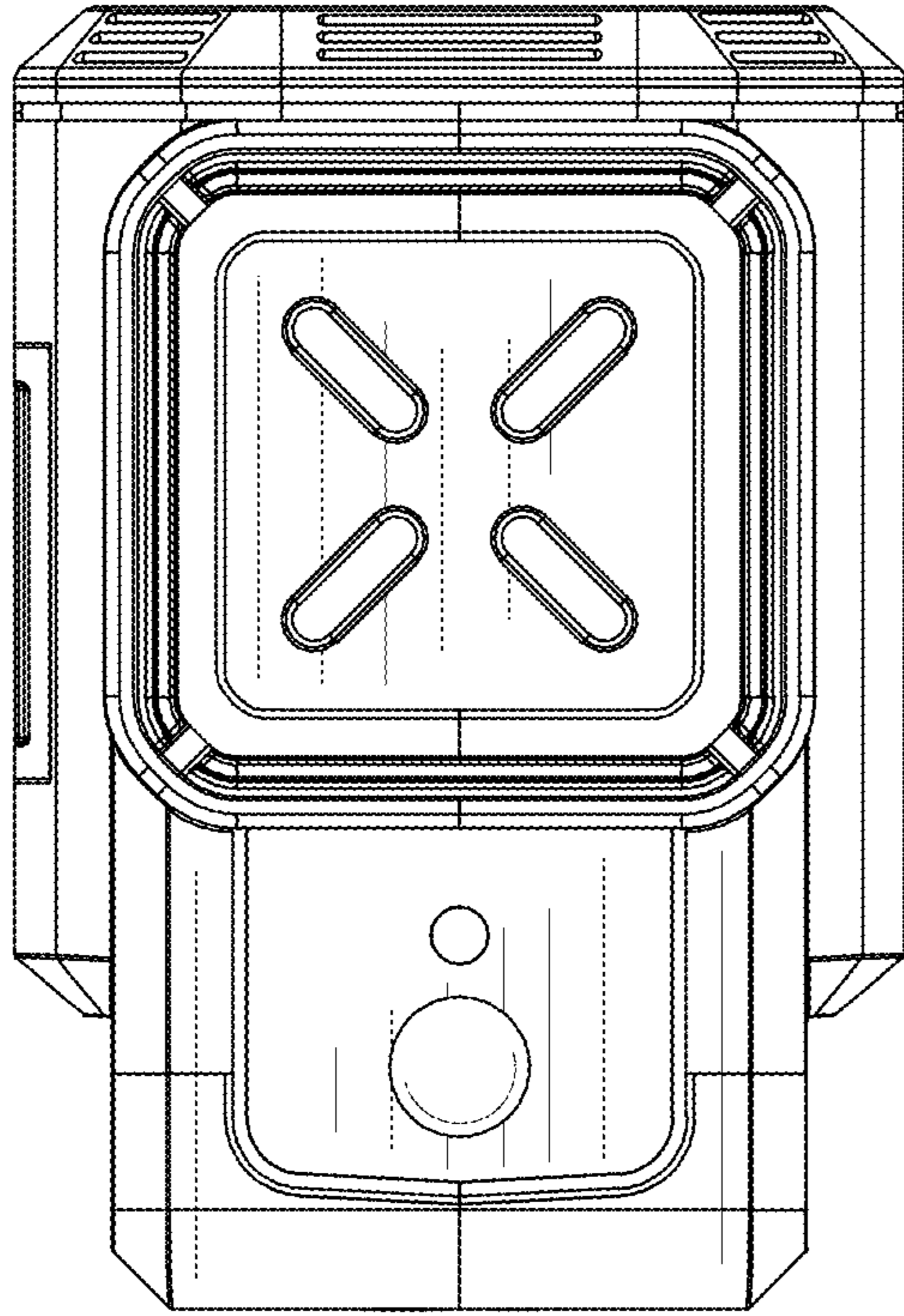
FIG. 1 is a perspective view of the 360 degree laser  
generating tool incorporating my new design;  
FIG. 2 is a front view thereof;  
FIG. 3 is a top view thereof;  
FIG. 4 is a bottom view thereof;  
FIG. 5 is a left view thereof;  
FIG. 6 is a right view thereof; and,  
FIG. 7 is a rear view thereof.  
The portions of the 360 degree laser generating tool shown  
in FIGS. 4, 5 and 7 in broken lines form no part of the  
claimed design.

**1 Claim, 4 Drawing Sheets**

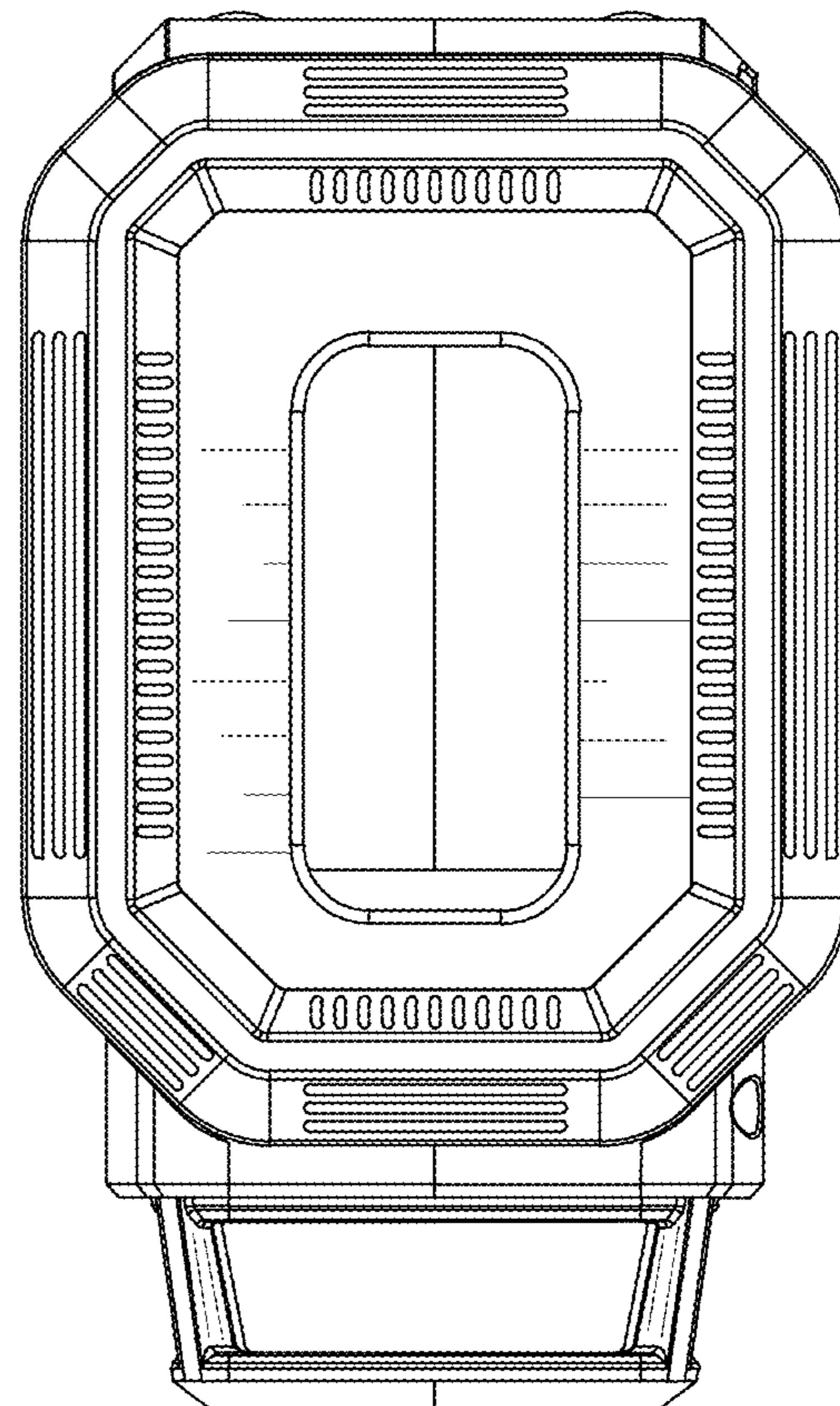




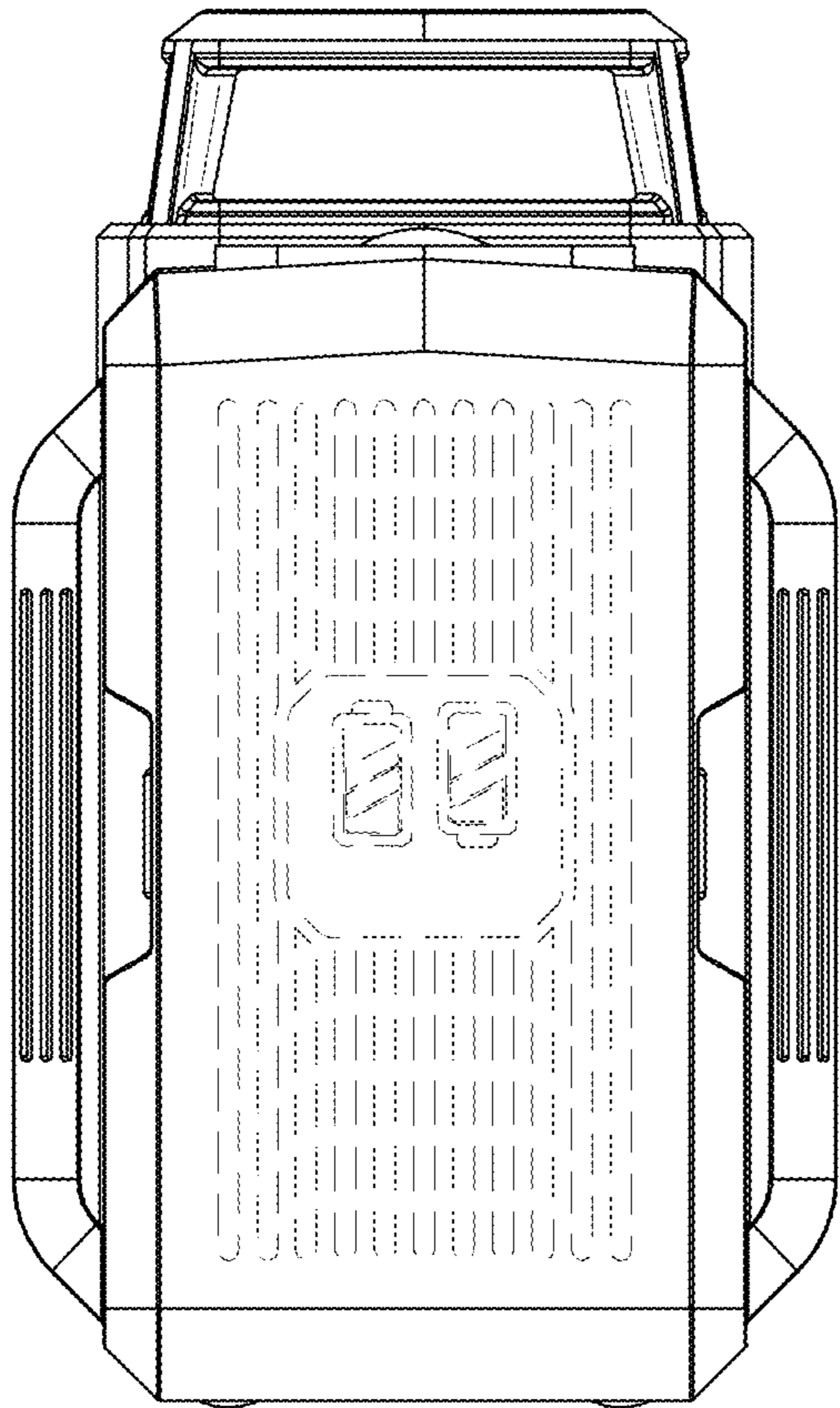
**Fig. 1**



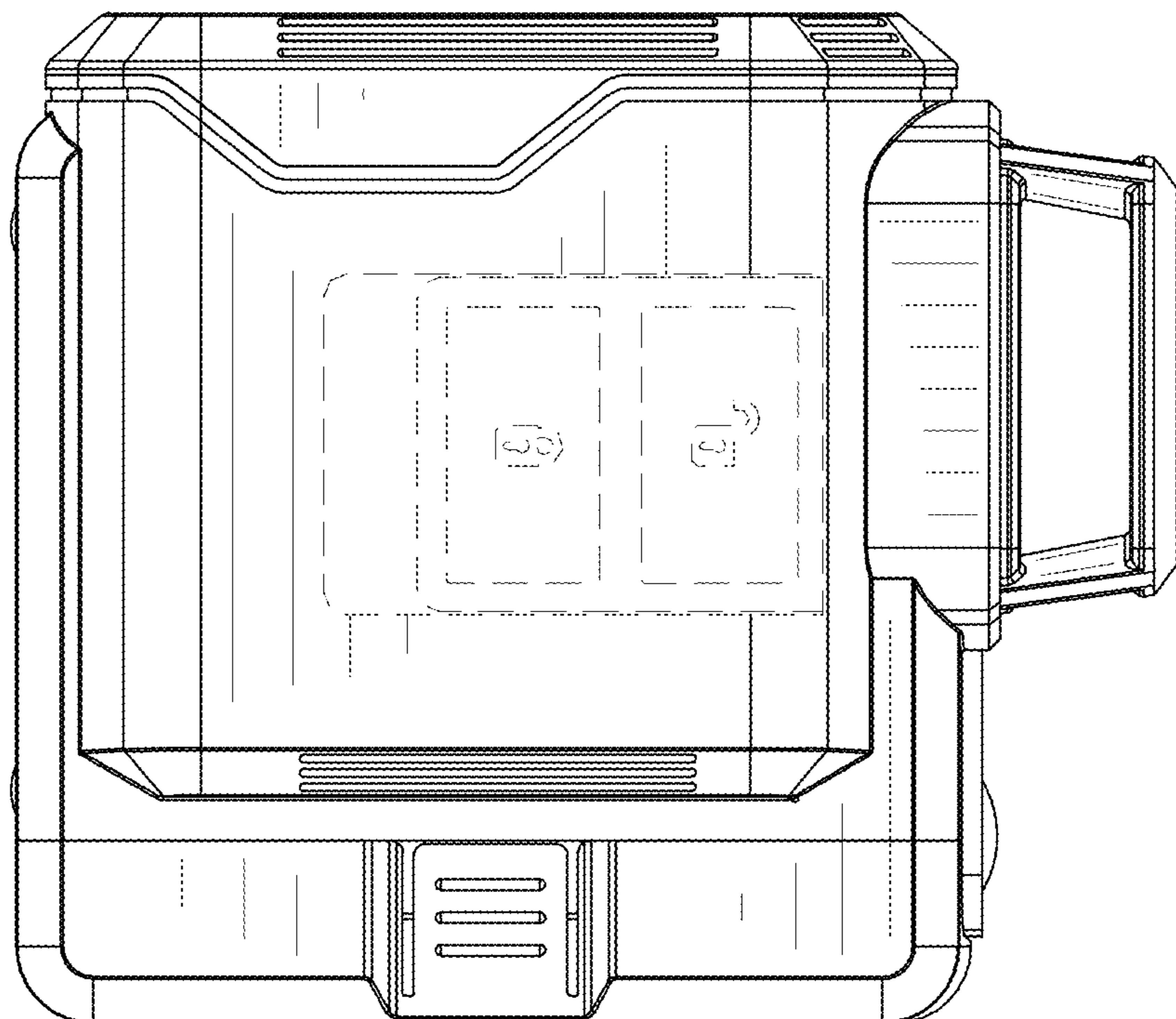
**Fig. 2**



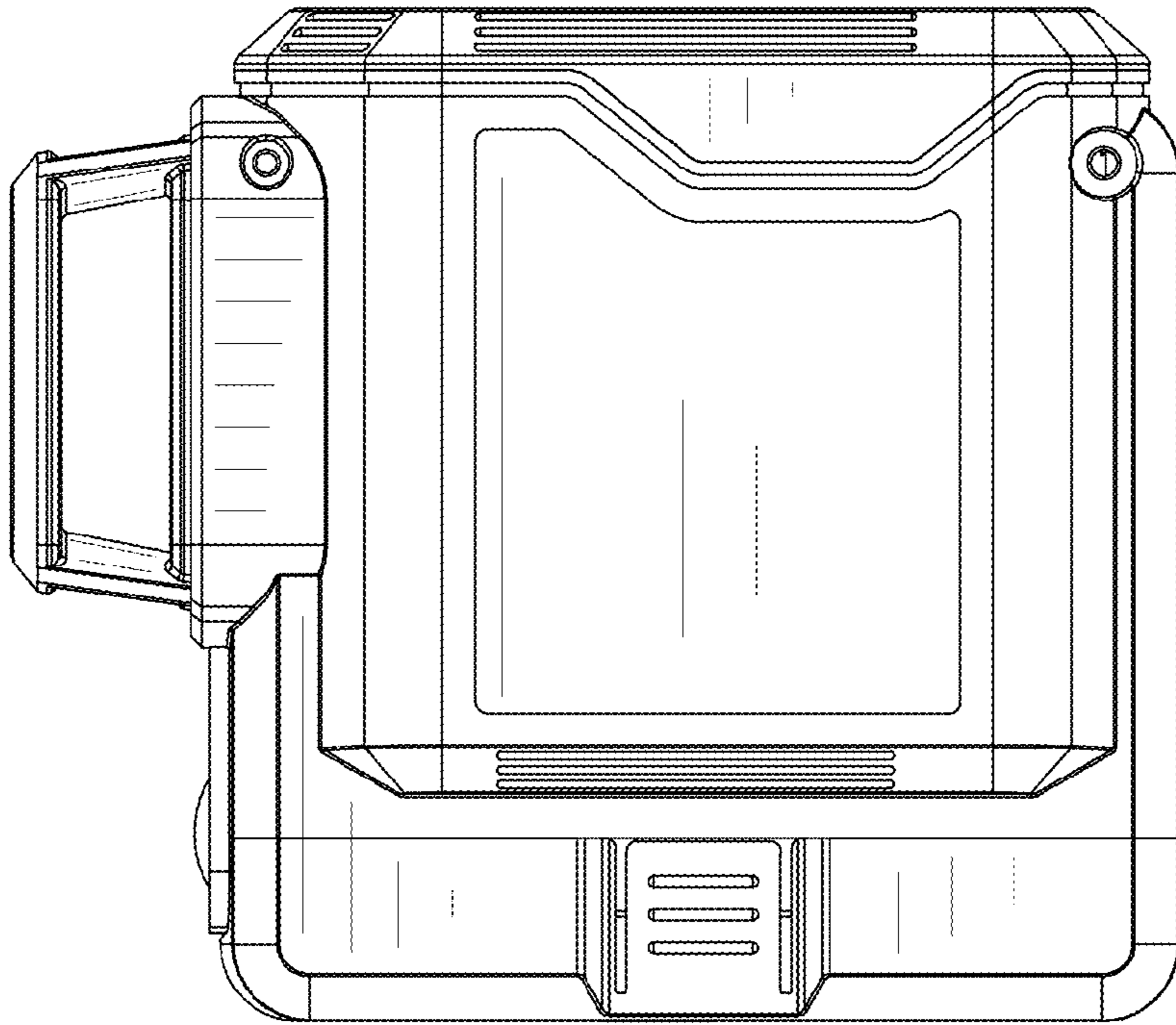
**Fig. 3**



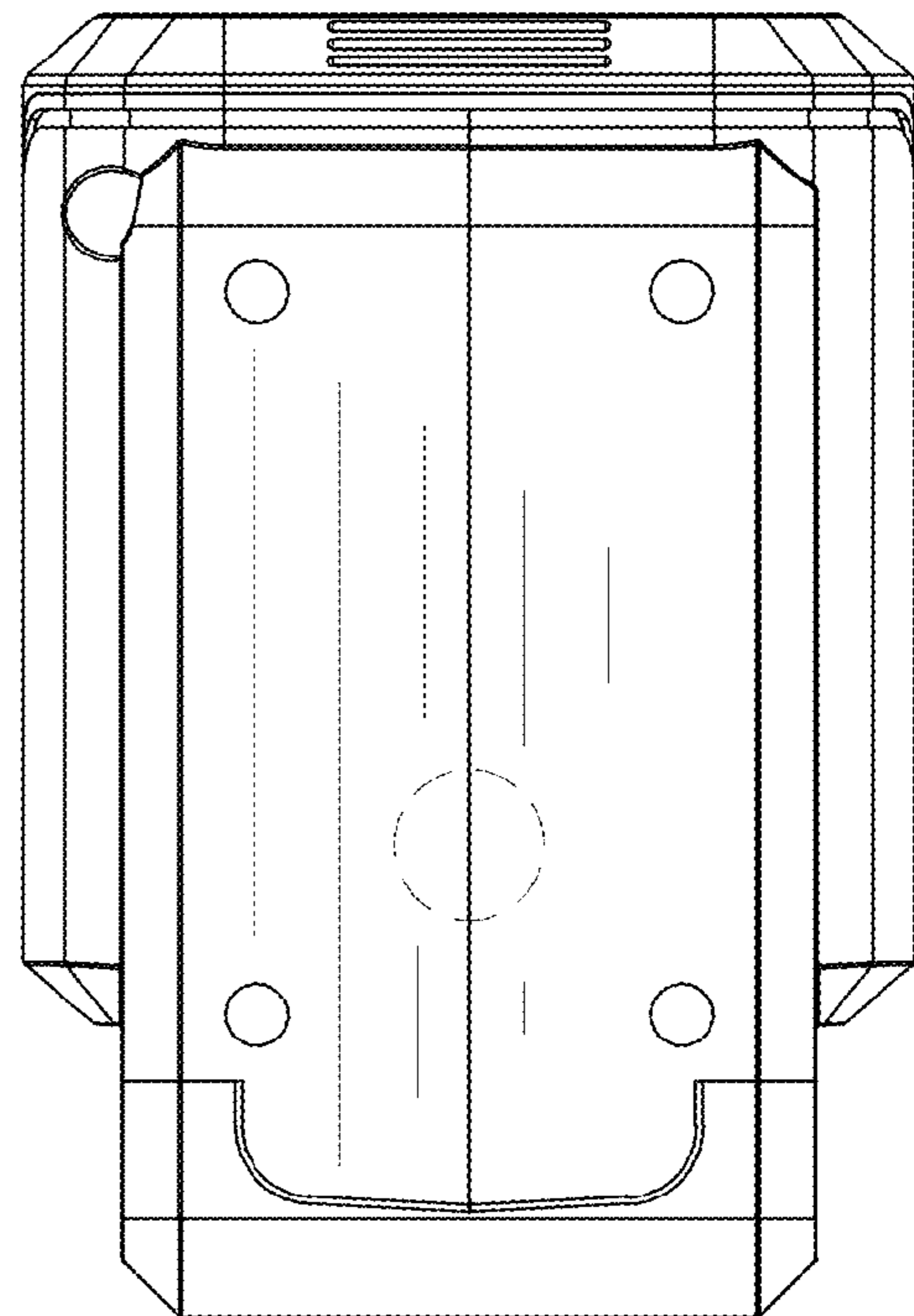
**Fig. 4**



**Fig. 5**



**Fig. 6**



**Fig. 7**