



US00D887289S

(12) **United States Design Patent**
White et al.

(10) **Patent No.:** **US D887,289 S**
(45) **Date of Patent:** **** Jun. 16, 2020**

(54) **ANIMAL DESIGN FOR CHILDREN'S
DESK/OFFICE ACCESSORY OR
TOOL/CONSTRUCTION ACCESSORY**

D442,098 S * 5/2001 Yang D10/72
D638,727 S * 5/2011 Hagstrom D10/72
D725,513 S * 3/2015 Horovitz D10/72

(71) Applicant: **OffWhite Productions LLC**, New York, NY (US)

* cited by examiner

(72) Inventors: **Joshua White**, Passaic, NJ (US); **Ari Horowitz**, New York, NY (US)

Primary Examiner — Antoine Duval Davis

(73) Assignee: **Joshua White**, Passaic, NJ (US)

(74) *Attorney, Agent, or Firm* — Lawrence B. Goodwin; Mandelbaum Salsburg P.C.

(**) Term: **15 Years**

(57) **CLAIM**

(21) Appl. No.: **29/677,973**

The animal design for the children's desk/office accessory or tool/construction accessory, as shown and described.

(22) Filed: **Jan. 24, 2019**

(51) **LOC (12) Cl.** **10-04**

(52) **U.S. Cl.**

USPC **D10/62**

(58) **Field of Classification Search**

USPC D10/74, 62, 69, 72; D8/105
CPC .. G01B 3/1041; G01B 3/1046; G01B 3/1064;
G01B 3/1089; G01B 3/1092; G01B
3/1094; G01B 2003/1087; G01C 9/00;
G01C 9/02; G01C 9/19; G01C 23/00

See application file for complete search history.

DESCRIPTION

FIG. 1 is a top, right, front perspective view showing the animal design;

FIG. 2 is a front view showing the animal design;

FIG. 3 is a rear view showing the animal design;

FIG. 4 is a left side view showing the animal design;

FIG. 5 is a right side view showing the animal design;

FIG. 6 is a top view showing the animal design; and,

FIG. 7 is a bottom view showing the animal design.

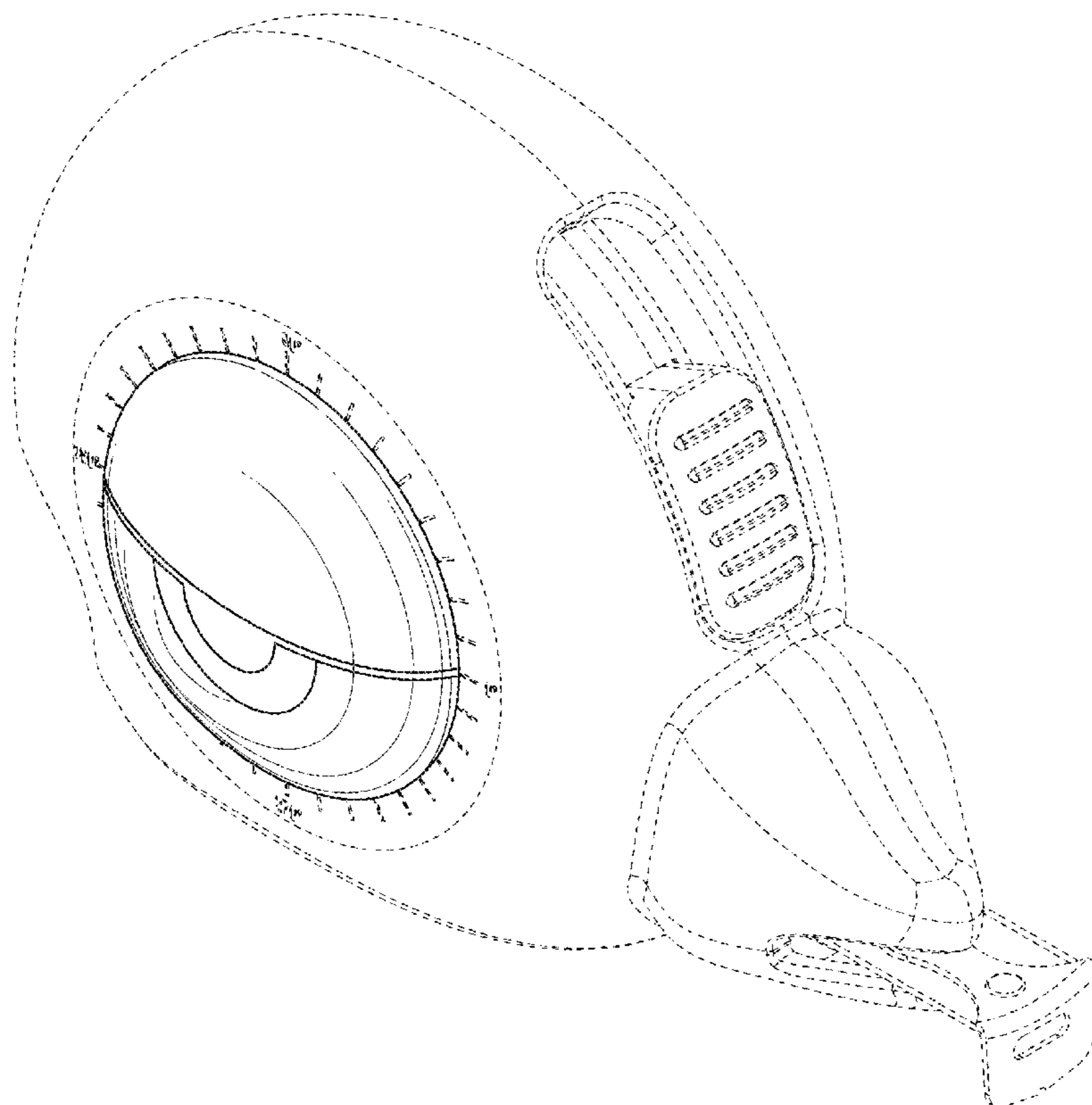
Where utilized, the broken lines show portions of the children's desk/office accessory or tool/construction accessory that form no part of the claimed design.

(56) **References Cited**

U.S. PATENT DOCUMENTS

D392,197 S * 3/1998 Reynolds D10/65

1 Claim, 7 Drawing Sheets



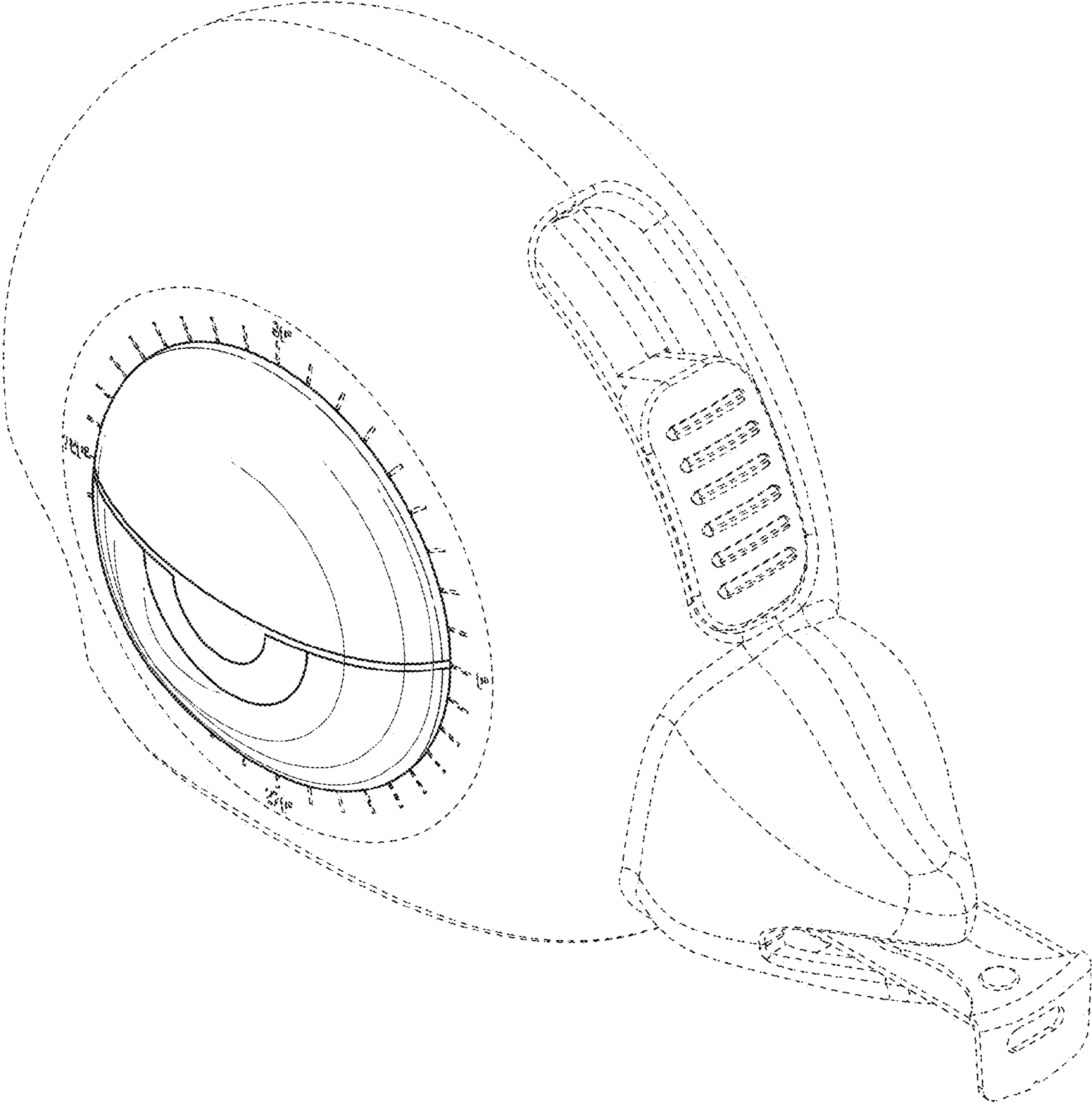


FIG. 1

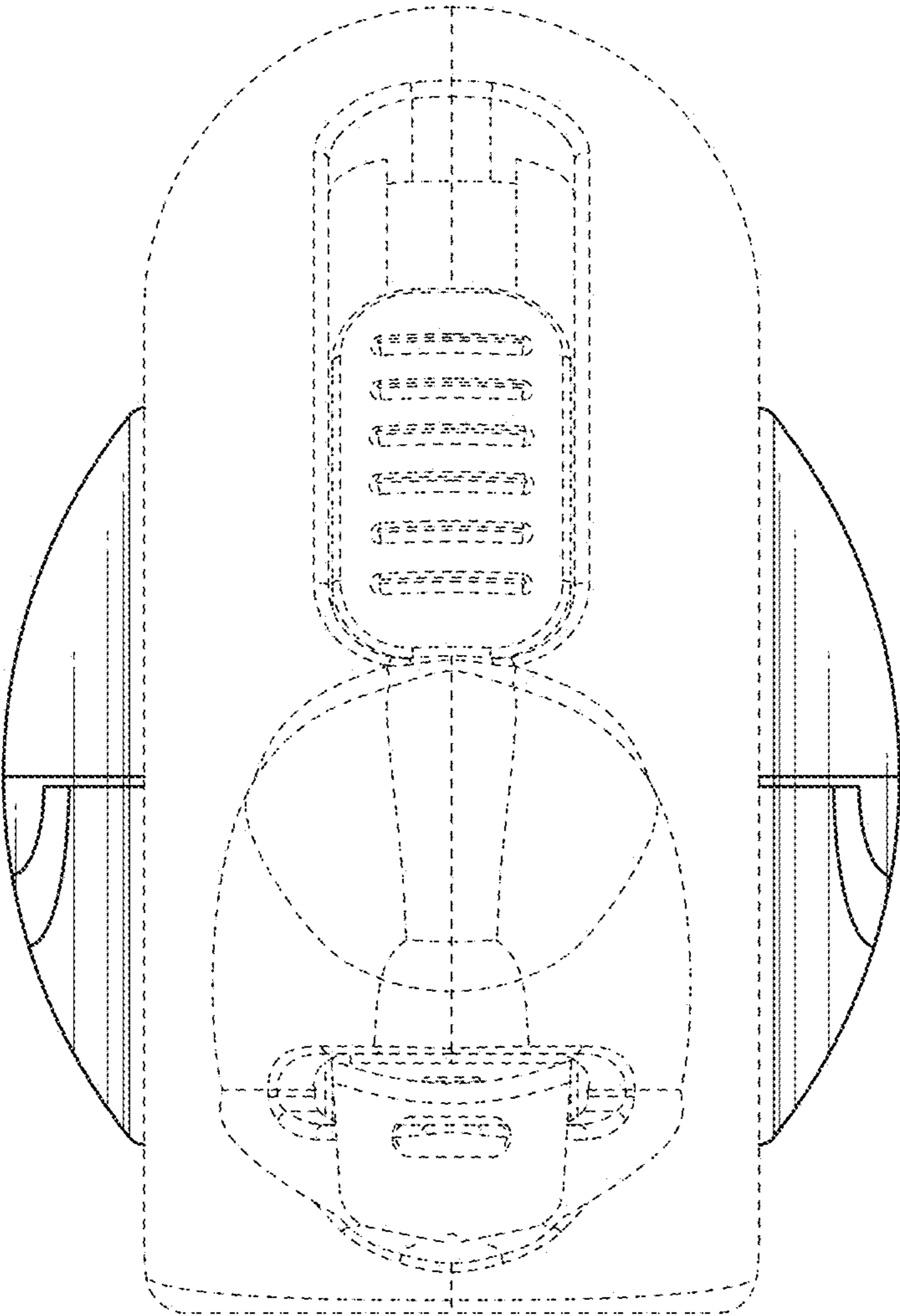


FIG. 2

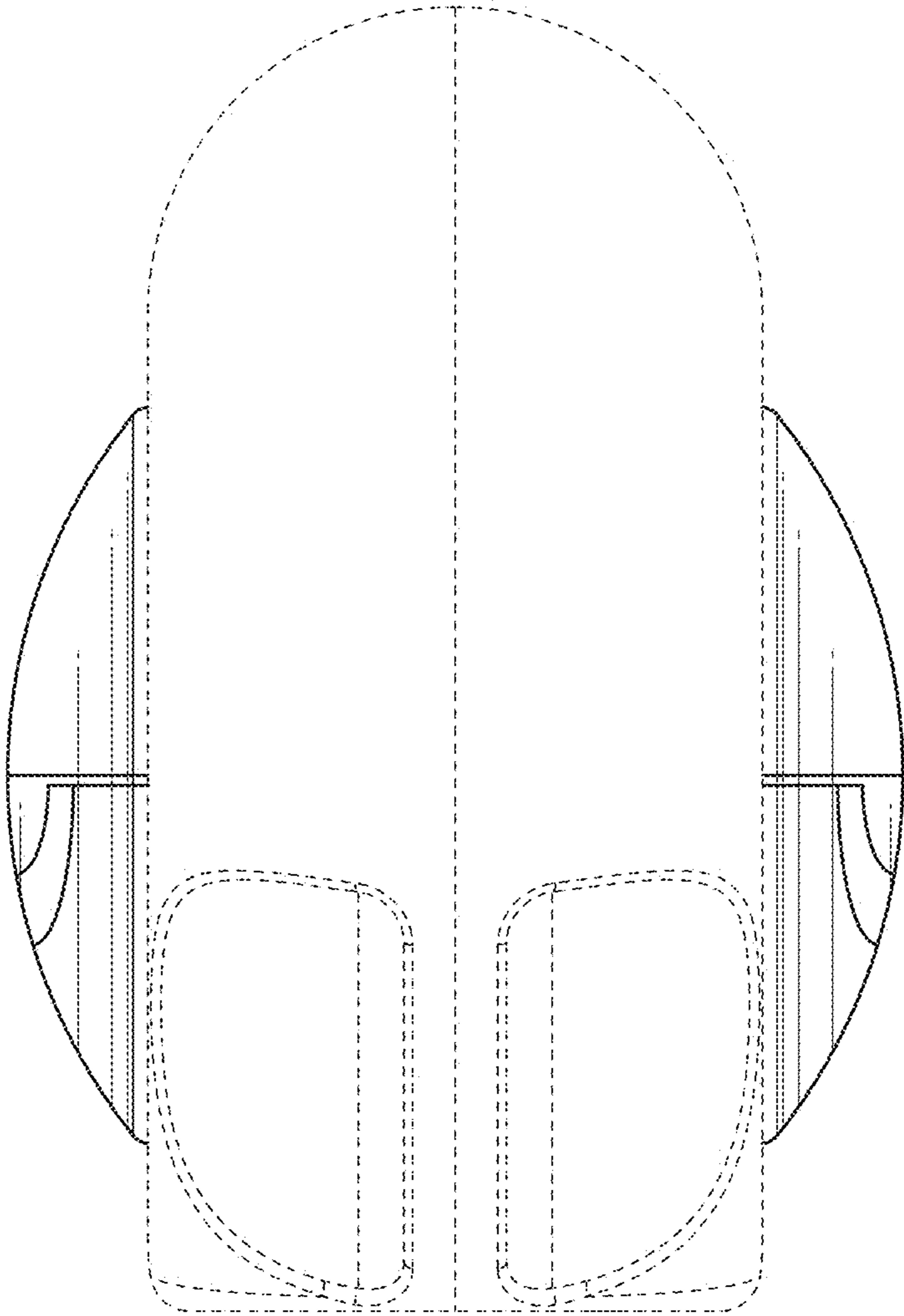


FIG. 3

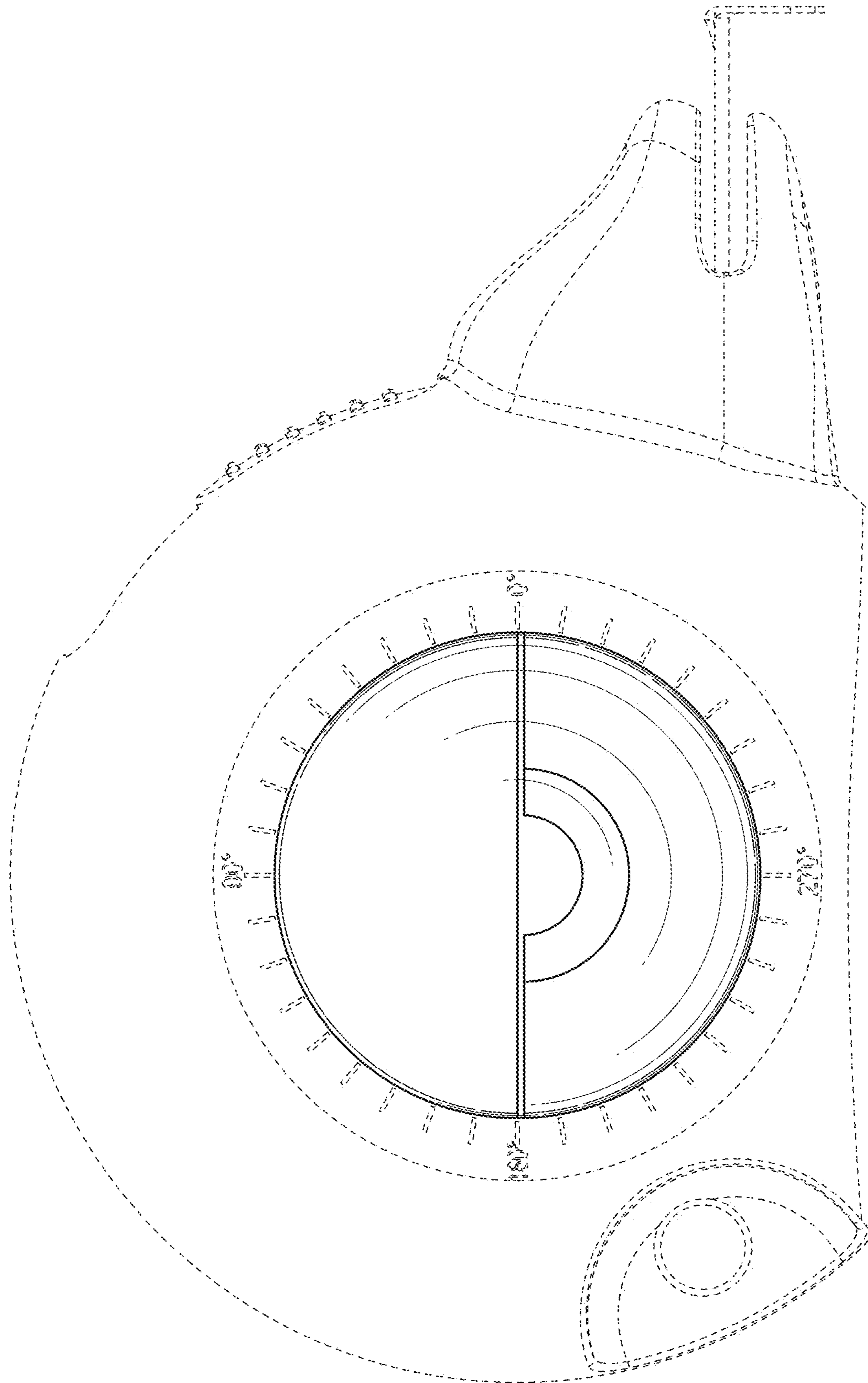


FIG. 4

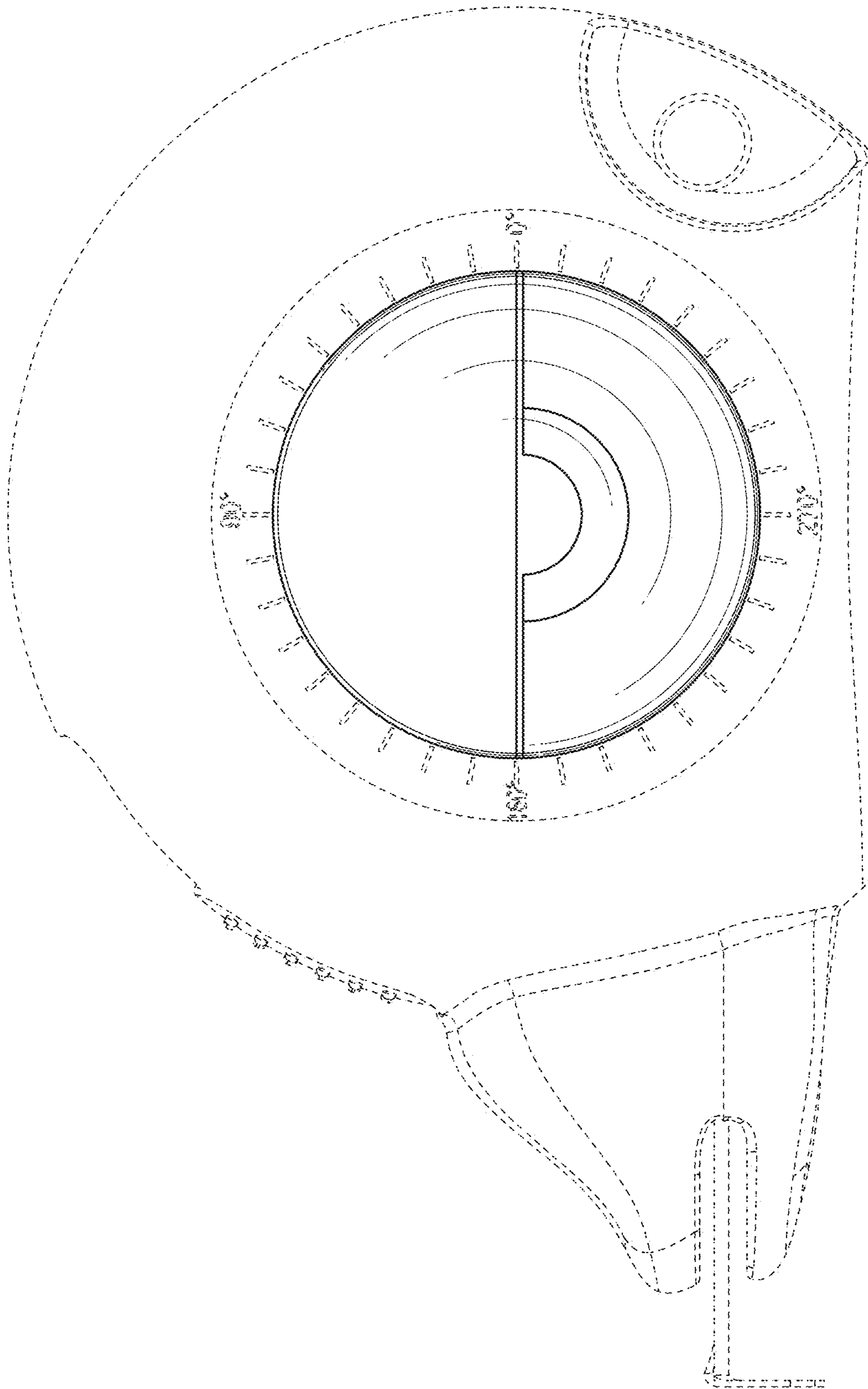


FIG. 5

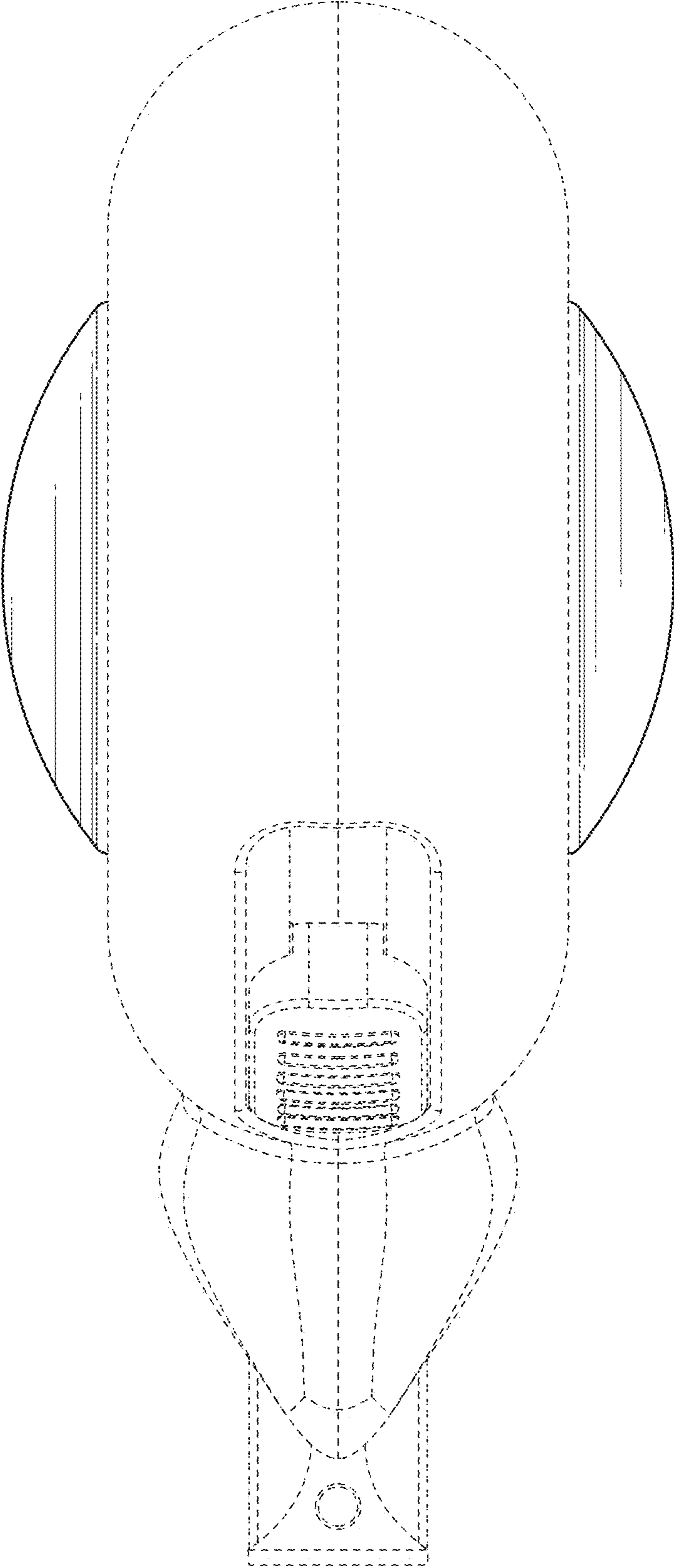


FIG. 6

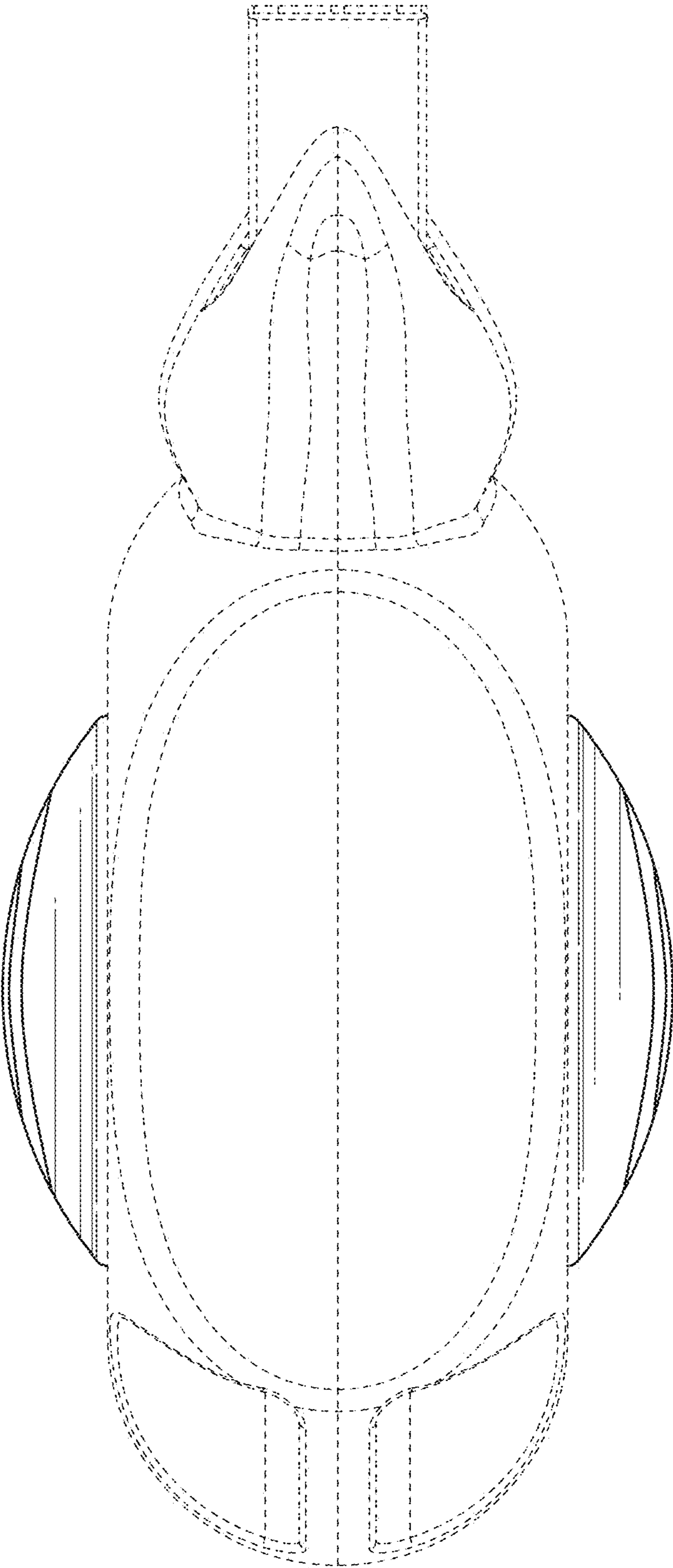


FIG. 7