



US00D887287S

(12) **United States Design Patent**  
**Kong**

(10) **Patent No.:** **US D887,287 S**

(45) **Date of Patent:** **\*\* Jun. 16, 2020**

(54) **WATCH WITH EARPHONES**

(71) Applicant: **SHENZHEN WANSHIDA COMMUNICATION EQUIPMENT CO., LTD**, Shenzhen (CN)

(72) Inventor: **Decheng Kong**, Shenzhen (CN)

(73) Assignee: **SHENZHEN WANSHIDA COMMUNICATION EQUIPMENT CO., LTD**, Shenzhen (CN)

(\*\*) Term: **15 Years**

(21) Appl. No.: **29/718,540**

(22) Filed: **Dec. 26, 2019**

(51) **LOC (12) Cl.** ..... **10-02**

(52) **U.S. Cl.**  
USPC ..... **D10/31; D14/344; D14/205**

(58) **Field of Classification Search**  
USPC ..... D10/30-39; D14/344, 205-206, 223, D14/224.1; D24/167, 186; D3/201, 294  
(Continued)

(56) **References Cited**

**U.S. PATENT DOCUMENTS**

D507,550 S \* 7/2005 Kim ..... D10/31  
D572,151 S \* 7/2008 Fasciano ..... D10/31  
(Continued)

**FOREIGN PATENT DOCUMENTS**

EM 007024351-001 \* 11/2019

**OTHER PUBLICATIONS**

LEMFO M1 AI Smart Watch with Bluetooth Earphone | posted by Goods from Aliexpress at youtube.com Jun. 2019 [online]. [retrieved Mar. 9, 2020] from Internet: <<https://www.youtube.com/watch?v=hfxHDydCTfE>> (Year: 2019).\*

(Continued)

*Primary Examiner* — Sandra S Snapp  
*Assistant Examiner* — Katherine Glennon

(57) **CLAIM**

The ornamental design for a watch with earphones, as shown and described.

**DESCRIPTION**

FIG. 1 is a perspective view of a watch with earphones showing my new design, where the watch component is shown in a closed position;

FIG. 2 is another perspective view thereof;

FIG. 3 is a front elevational view thereof;

FIG. 4 is a rear elevational view thereof;

FIG. 5 is a left side elevational view thereof;

FIG. 6 is a right side elevational view thereof;

FIG. 7 is a top plan view thereof;

FIG. 8 is a bottom plan view thereof;

FIG. 9 is a perspective view of the watch with earphones showing my new design, where the earphones component is shown removed from the watch component for ease of illustration;

FIG. 10 is another perspective view thereof;

FIG. 11 is a front elevational view thereof;

FIG. 12 is a rear elevational view thereof;

FIG. 13 is a left side elevational view thereof;

FIG. 14 is a right side elevational view thereof;

FIG. 15 is a top plan view thereof;

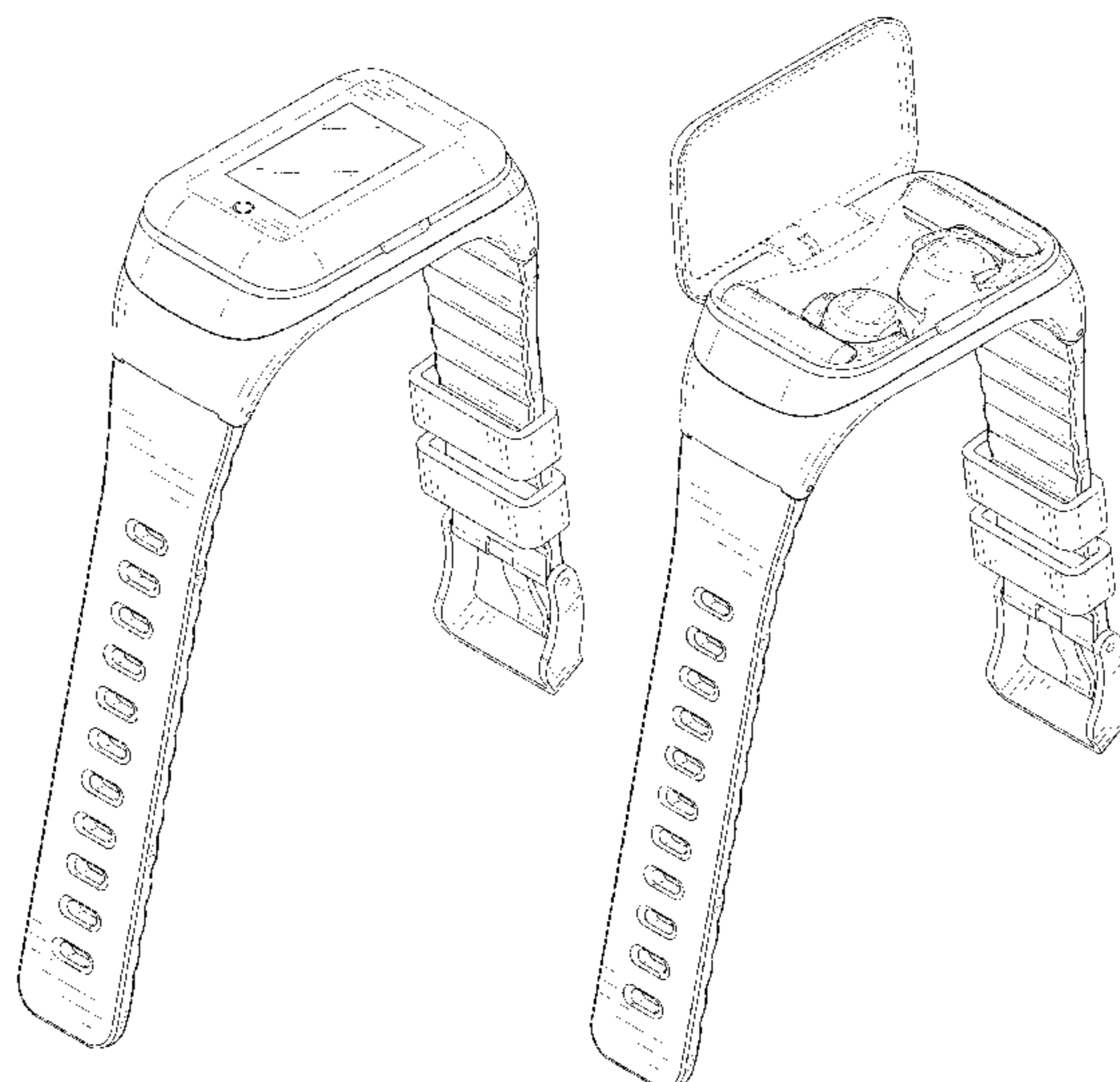
FIG. 16 is a bottom plan view thereof;

FIG. 17 is a perspective view of the watch with earphones where the earphones component is shown removed from the watch component for ease of illustration and in a configuration of use; and,

FIG. 18 is a perspective view of the watch with earphones where the earphones component is received in the watch component.

The broken lines in the drawings depict portions of the watch with earphones that form no part of the claimed design.

**1 Claim, 18 Drawing Sheets**



(58) **Field of Classification Search**  
 CPC ..... A44C 5/003; H04B 1/385  
 See application file for complete search history.

(56) **References Cited**

U.S. PATENT DOCUMENTS

D648,227 S \* 11/2011 Grotell ..... D10/31  
 D667,301 S \* 9/2012 Jones ..... D9/456  
 D735,587 S \* 8/2015 Squires ..... D10/32  
 D738,878 S \* 9/2015 Lee ..... D10/104.2  
 D755,759 S \* 5/2016 Cai ..... D14/223  
 9,332,338 B2 \* 5/2016 Hsieh ..... H04R 1/105  
 9,467,763 B2 \* 10/2016 Beal ..... H04R 1/1025  
 D770,321 S \* 11/2016 Murphy ..... D11/3  
 D772,572 S \* 11/2016 Palmborg ..... D3/201  
 D775,818 S \* 1/2017 Ingraham ..... D3/218  
 D778,044 S \* 2/2017 Lee ..... D3/218  
 D779,989 S \* 2/2017 Lee ..... D10/70  
 D788,105 S \* 5/2017 Heck ..... D14/344  
 D808,962 S \* 1/2018 Wu ..... D14/344  
 D818,467 S \* 5/2018 Son ..... D14/344  
 D821,999 S \* 7/2018 Guo ..... D14/205  
 D822,836 S \* 7/2018 Wu ..... D24/186  
 D830,345 S \* 10/2018 Cai ..... D14/223  
 D831,643 S \* 10/2018 Son ..... D14/344  
 D838,480 S \* 1/2019 Son ..... D3/294  
 D839,583 S \* 2/2019 Cao ..... D3/201  
 D840,041 S \* 2/2019 Li ..... D24/186  
 D841,171 S \* 2/2019 Li ..... D24/186  
 D843,997 S \* 3/2019 Yu ..... D14/344  
 D853,116 S \* 7/2019 Bergman ..... D3/294  
 D860,810 S \* 9/2019 Akana ..... D9/721  
 D862,463 S \* 10/2019 Mao ..... D14/344

D869,445 S \* 12/2019 Hu ..... D14/223  
 D870,451 S \* 12/2019 Birger ..... D3/201  
 2007/0042821 A1 \* 2/2007 Lee ..... H04B 1/385  
 455/575.6  
 2008/0043575 A1 \* 2/2008 Fasciano ..... G04G 9/0076  
 368/13  
 2013/0148839 A1 \* 6/2013 Stevinson ..... H04R 1/1033  
 381/384  
 2017/0324437 A1 \* 11/2017 Ruttler ..... A61B 5/14552  
 2018/0077479 A1 \* 3/2018 Johanson ..... H04R 1/1066  
 2018/0124489 A1 \* 5/2018 Aljuwayed ..... H04R 1/1016  
 2018/0132026 A1 \* 5/2018 Liang ..... H04R 1/1025

OTHER PUBLICATIONS

Waterproof Smart Watch Xuxue M7 | amazon.co.uk Jan. 26, 2020  
 [online]. © 1996-2020, Amazon.com, Inc [retrieved Mar. 9, 2020]  
 from Internet: <[https://www.amazon.co.uk/Waterproof-Bracelet-Bluetooth-Earphones-Monitoring/dp/B08474CGJQ/ref=sr\\_1\\_10?keywords=SJKDHU&qid=1583785313&s=watch&sr=1-10&th=1](https://www.amazon.co.uk/Waterproof-Bracelet-Bluetooth-Earphones-Monitoring/dp/B08474CGJQ/ref=sr_1_10?keywords=SJKDHU&qid=1583785313&s=watch&sr=1-10&th=1)> (Year: 2020).\*

Wristbuds | posted at kickstarter.com; launch date Feb. 4, 2020  
 [online]. © 2020 Kickstarter, PBC [retrieved Mar. 9, 2020] from  
 Internet: <[https://www.kickstarter.com/projects/1440726354/wristbuds-world-first-smartwatch-with-built-in-tws-earbuds?ref=project\\_link](https://www.kickstarter.com/projects/1440726354/wristbuds-world-first-smartwatch-with-built-in-tws-earbuds?ref=project_link)> (Year: 2020).\*

Wristbuds combine a smartwatch and wireless earbuds in one  
 gadget | posted at newatlas.com Feb. 5, 2020 [online]. © 2020 New  
 Atlas [retrieved Mar. 9, 2020] from Internet: <<https://newatlas.com/wearables/wristbuds-smartwatch-and-wireless-earbuds/>> (Year: 2020).\*

\* cited by examiner

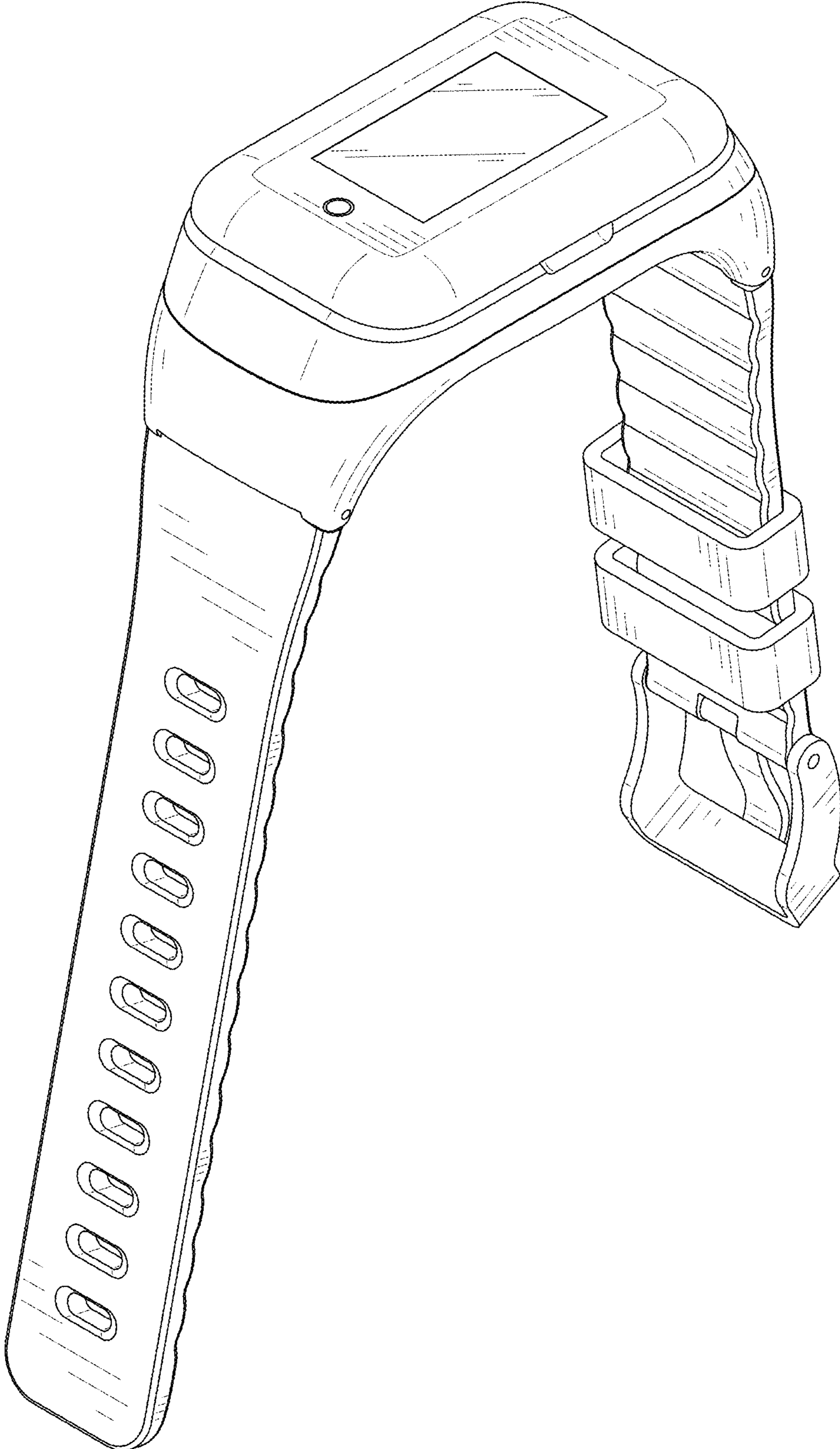


FIG. 1

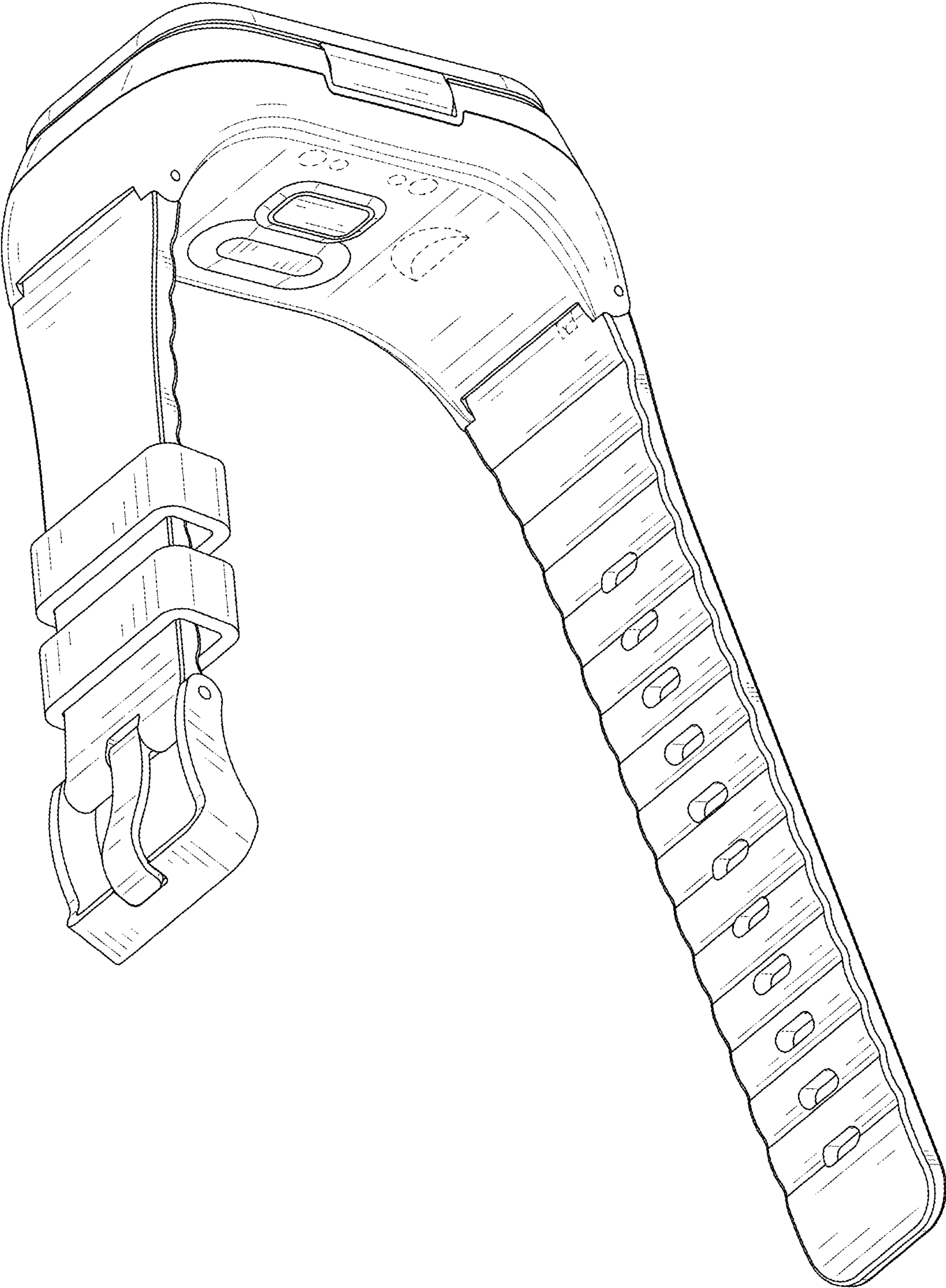


FIG. 2

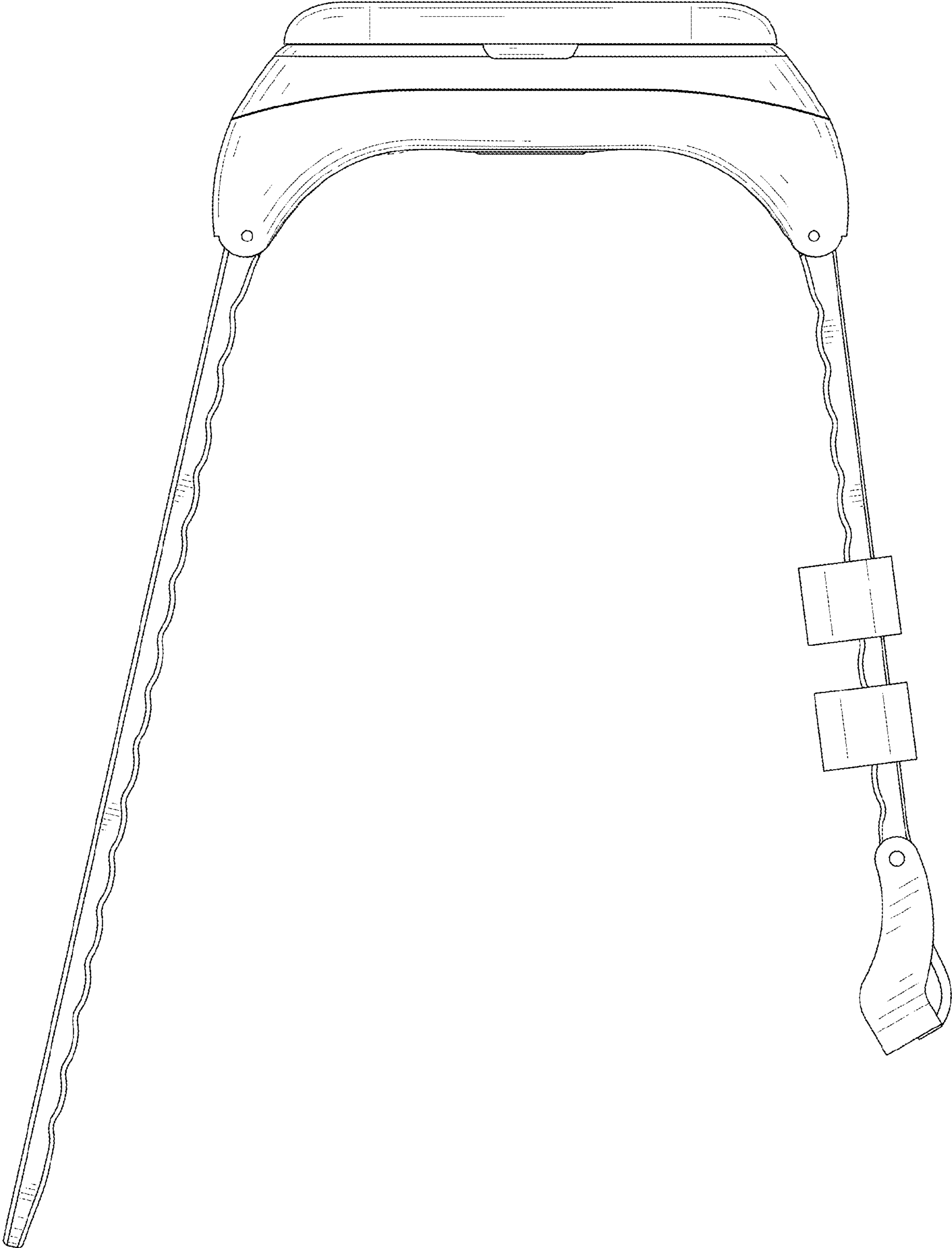


FIG. 3

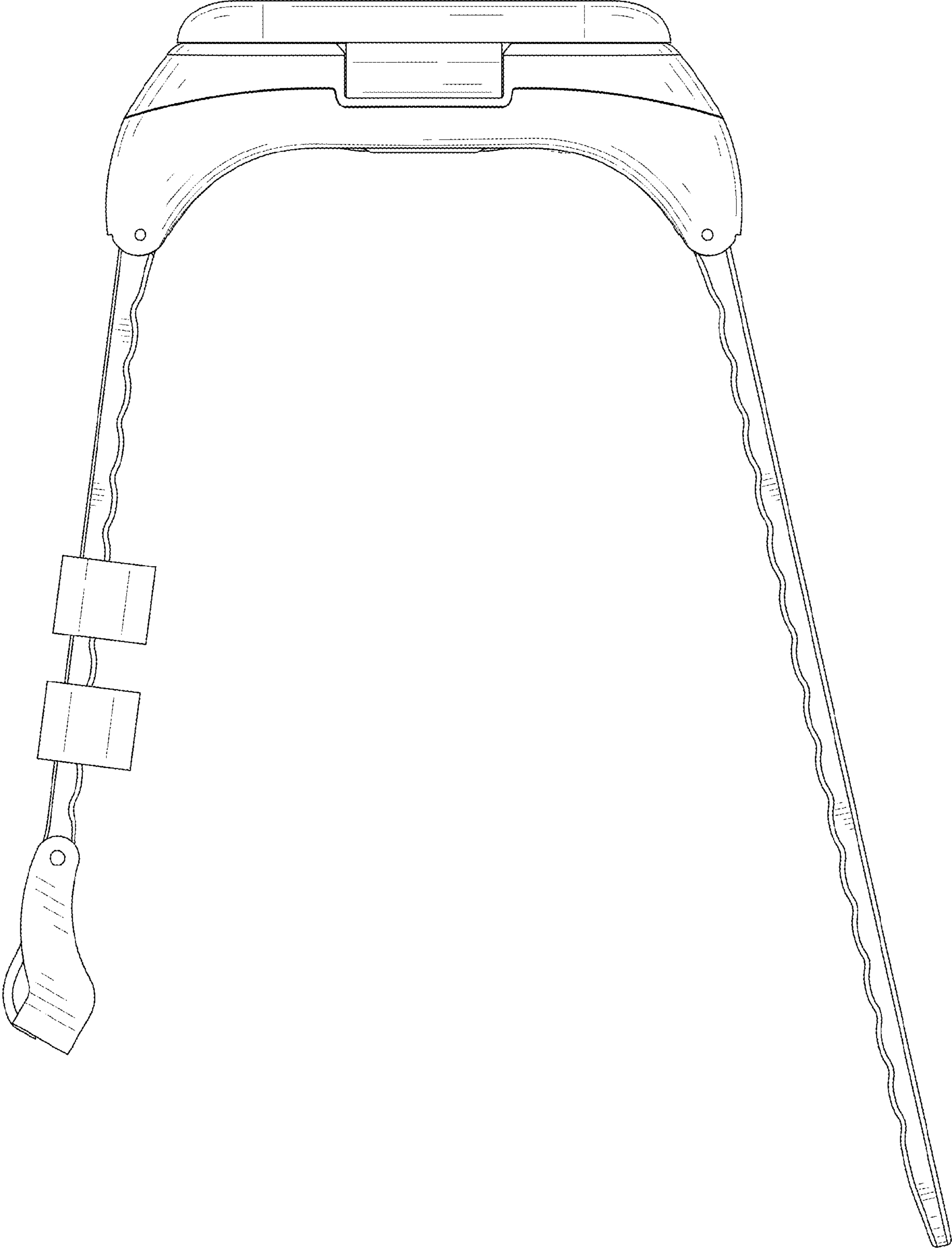


FIG. 4

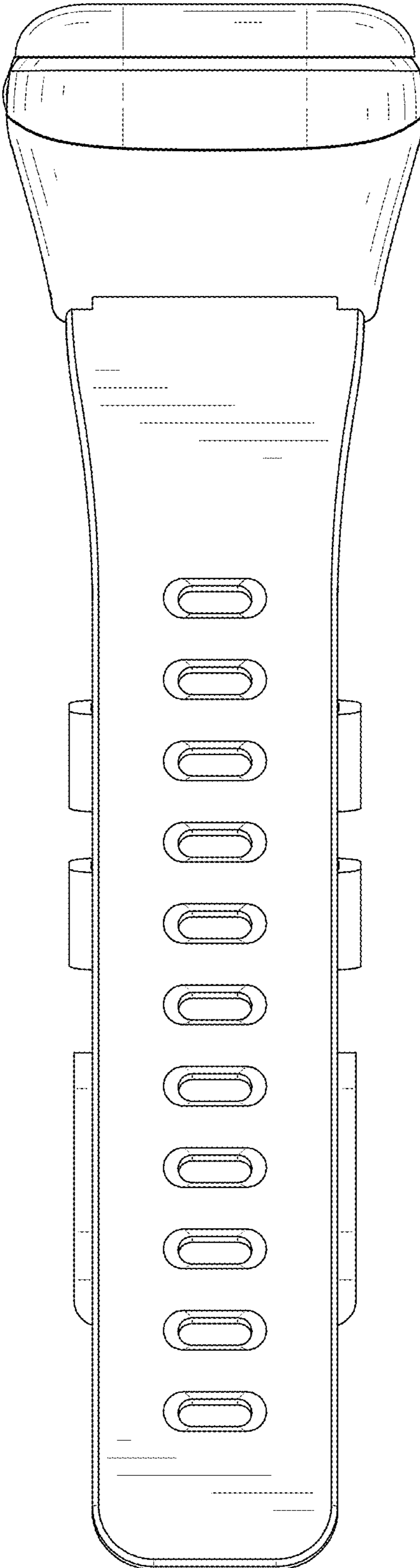


FIG. 5

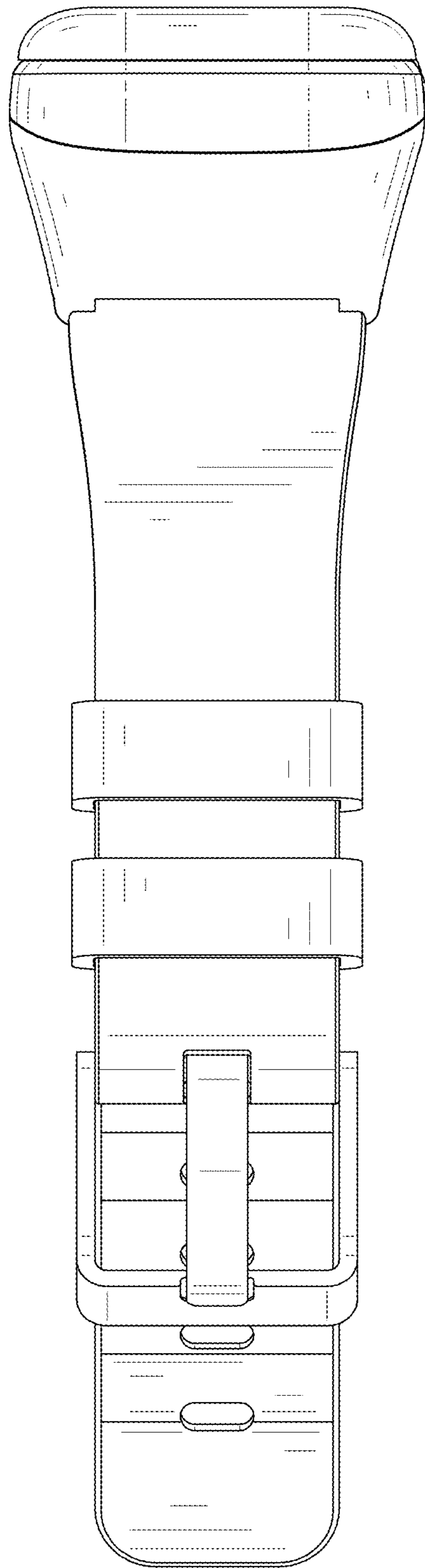


FIG. 6



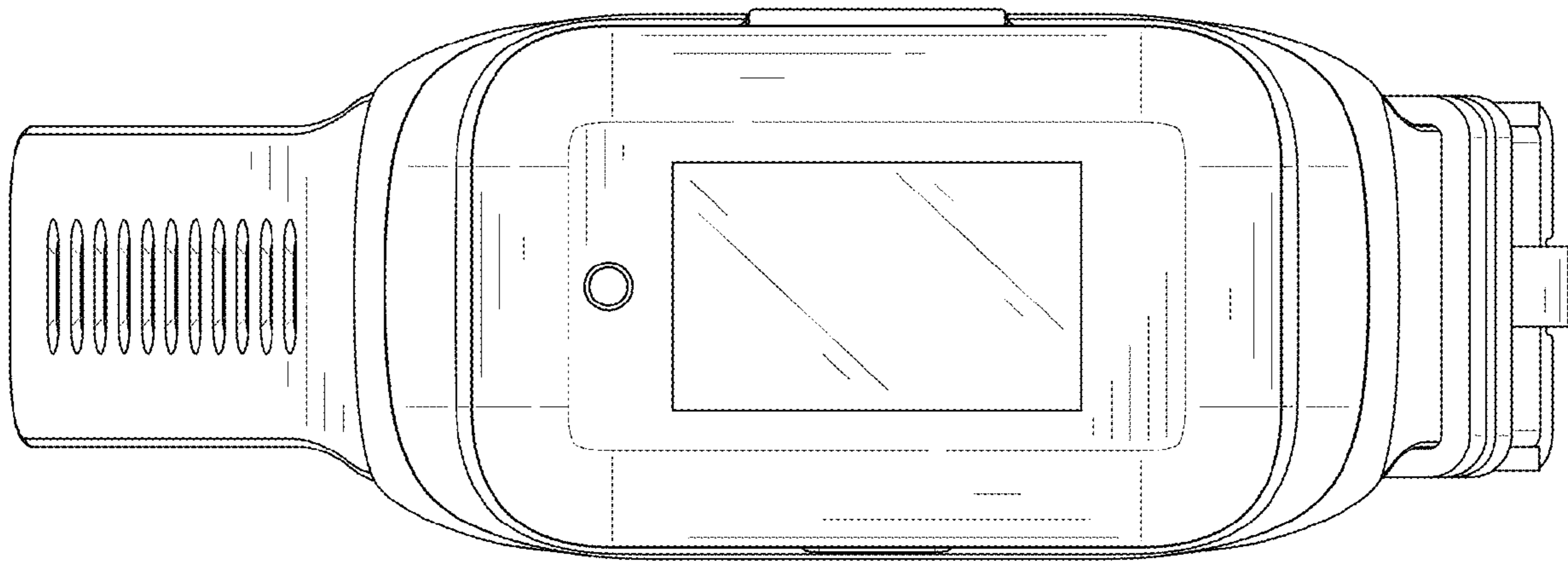


FIG. 7

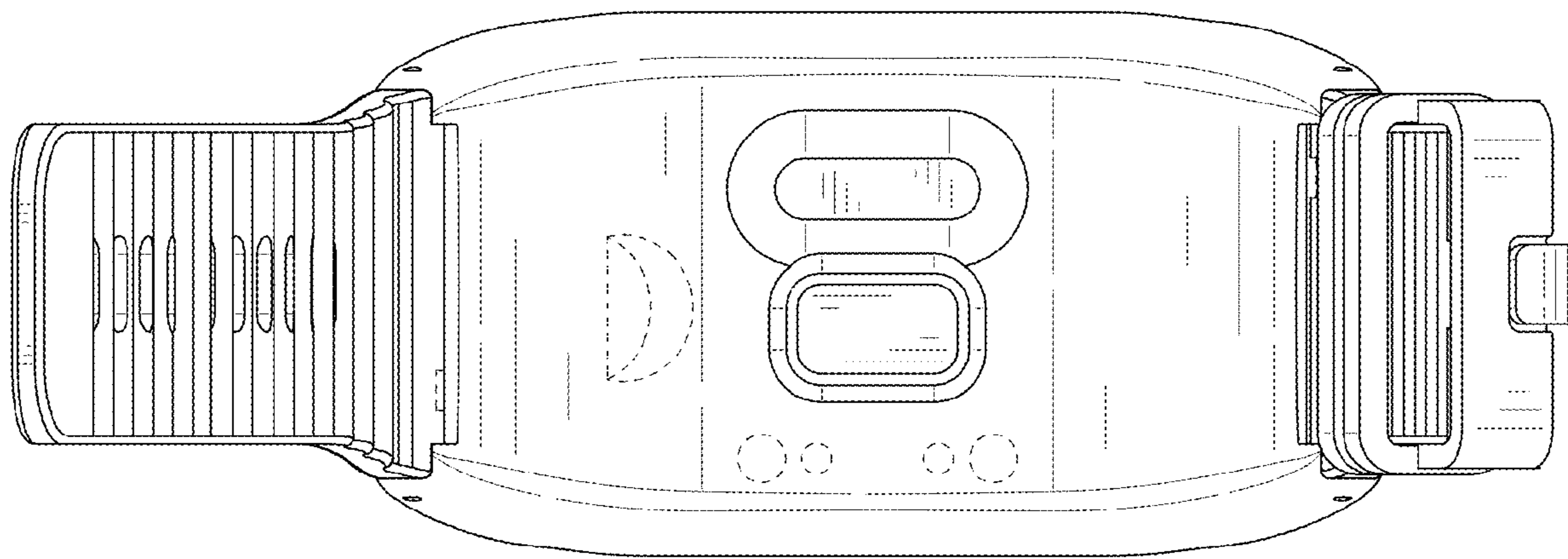


FIG. 8

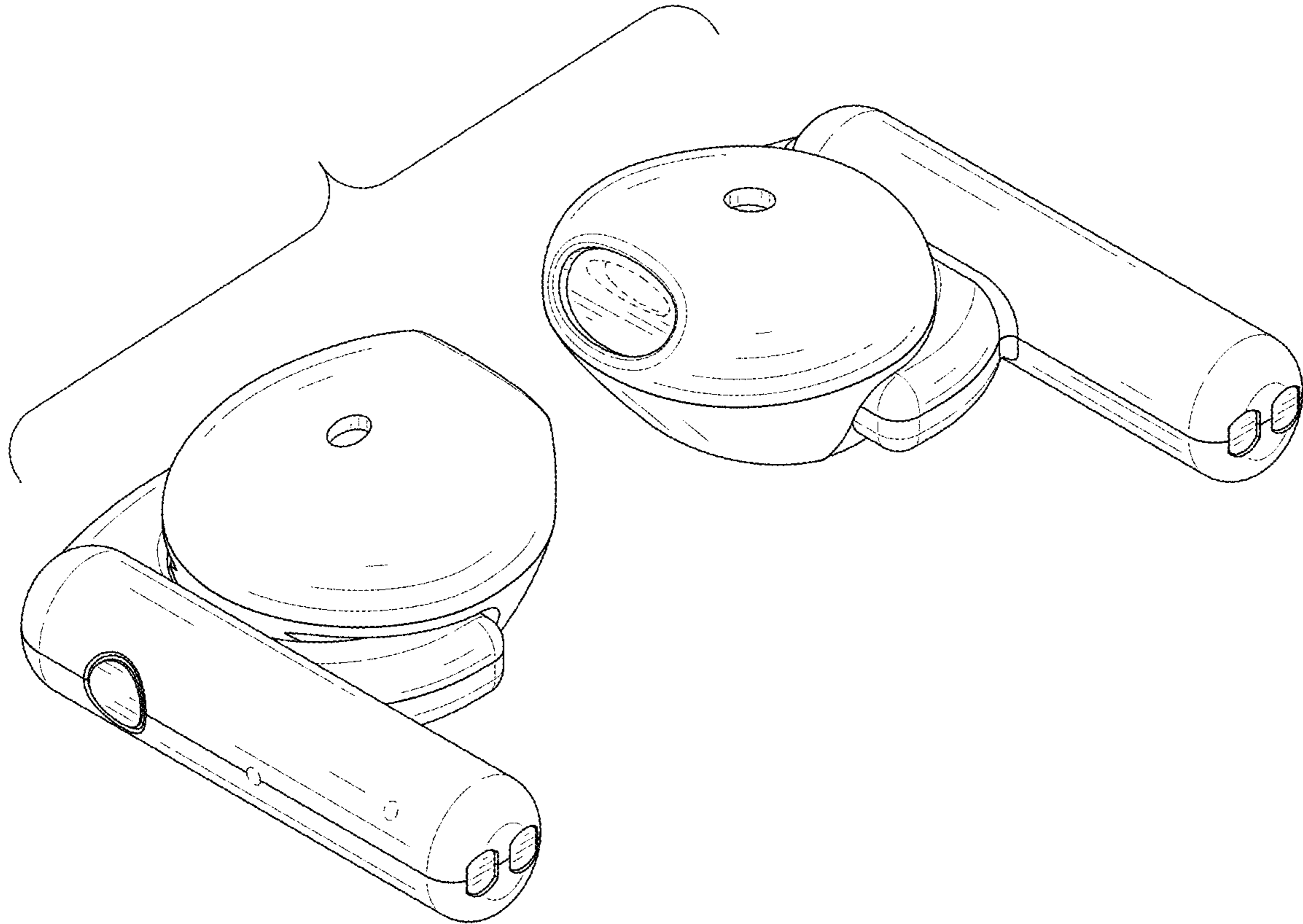


FIG. 9

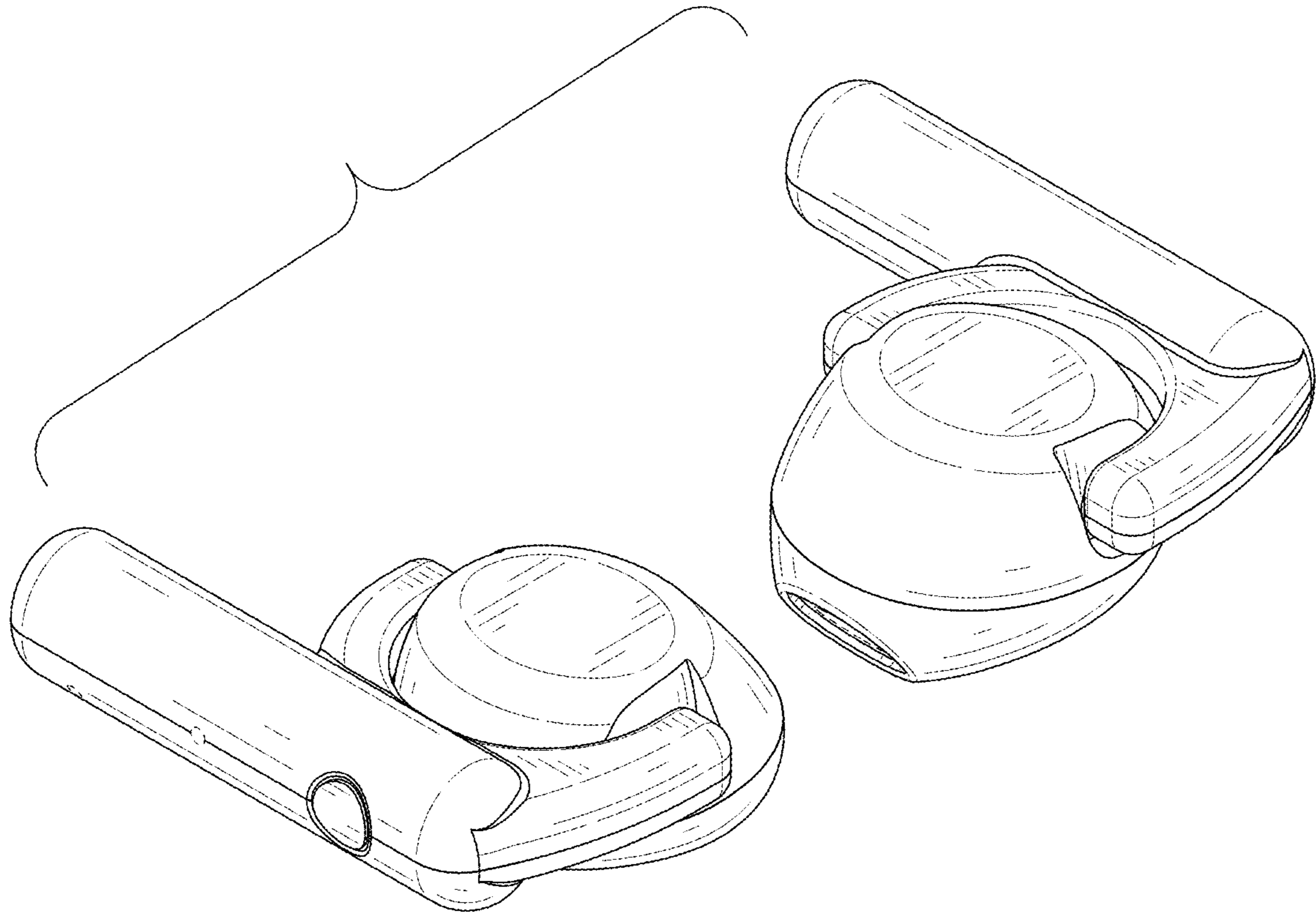


FIG. 10

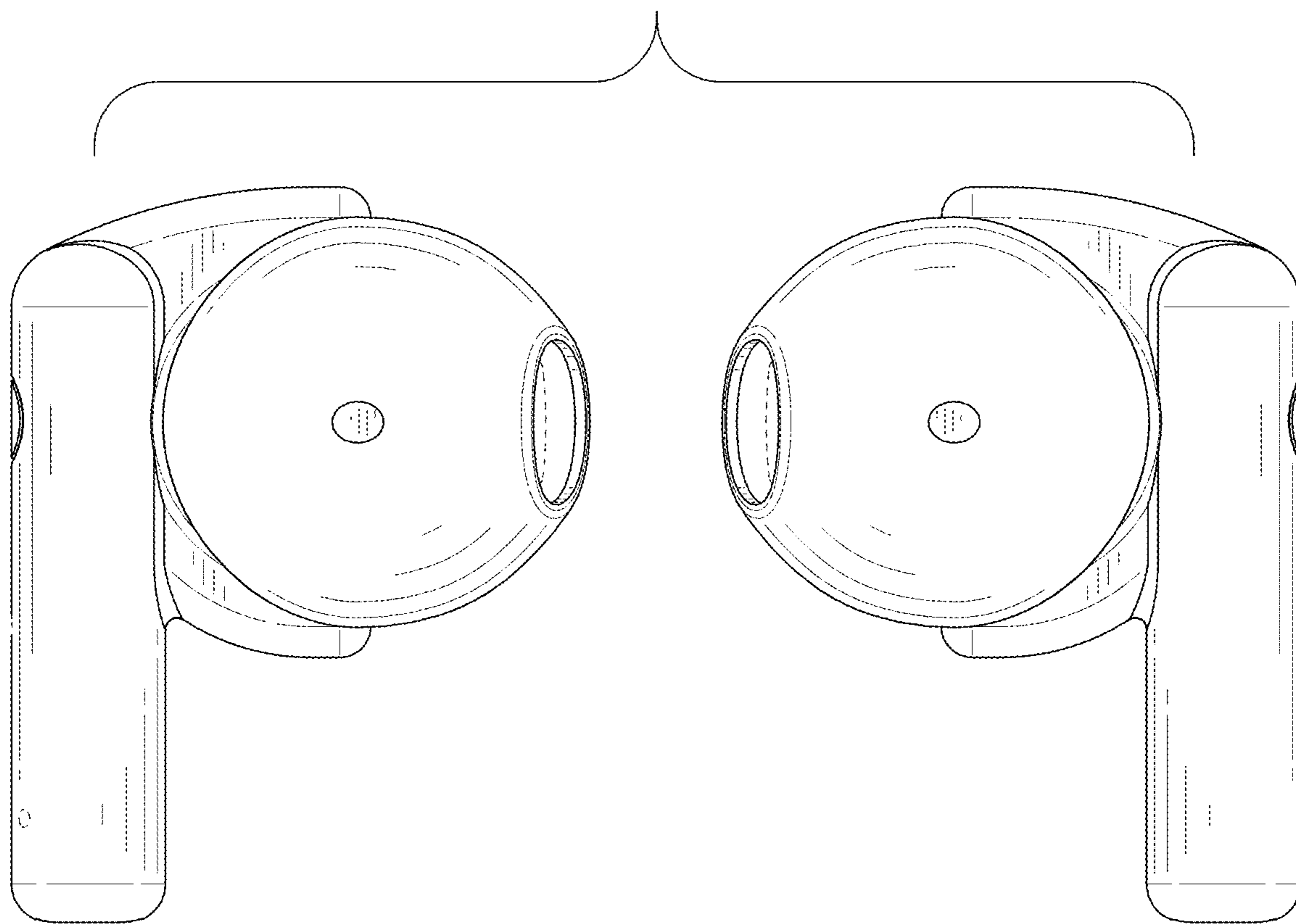


FIG. 11

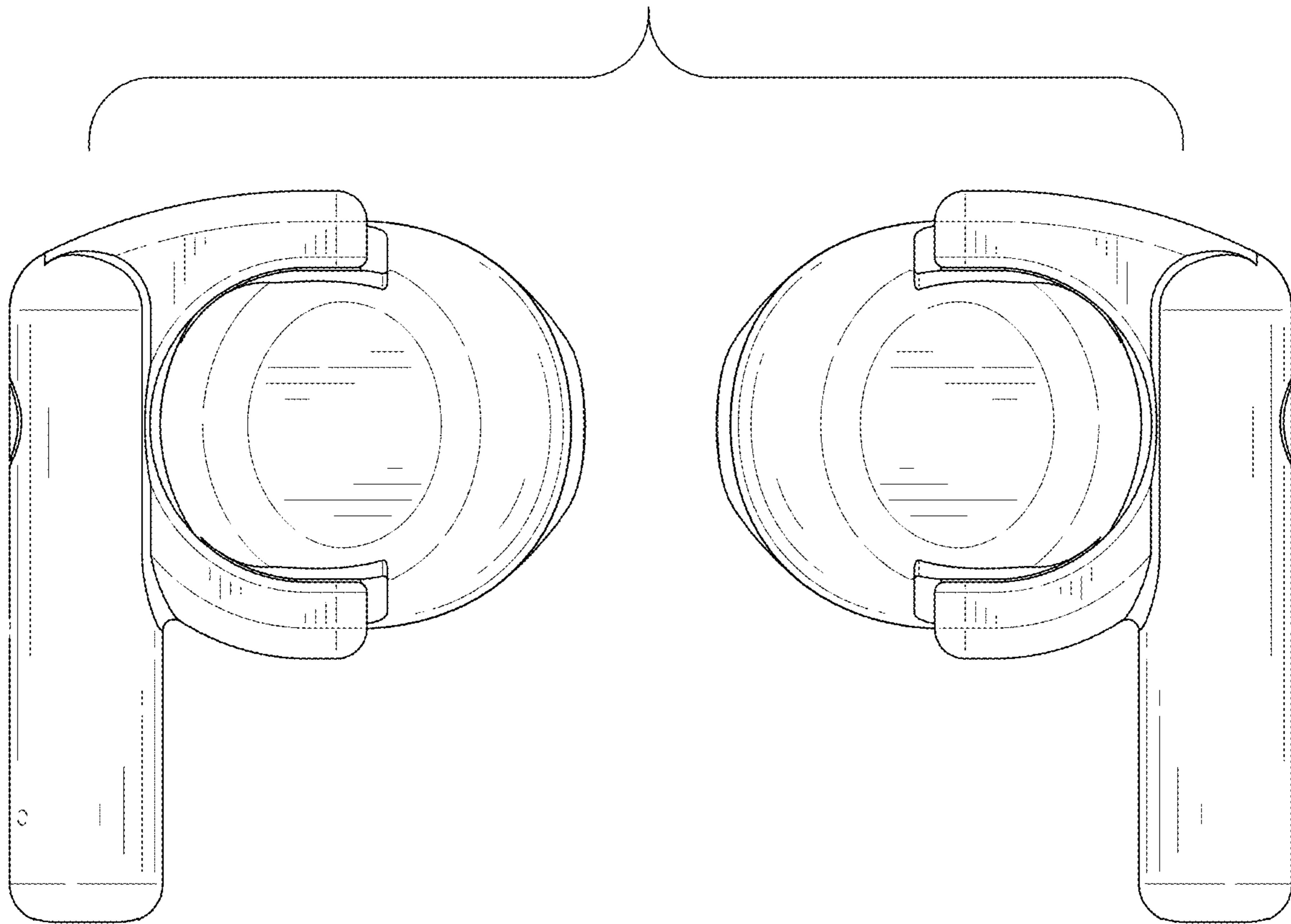


FIG. 12

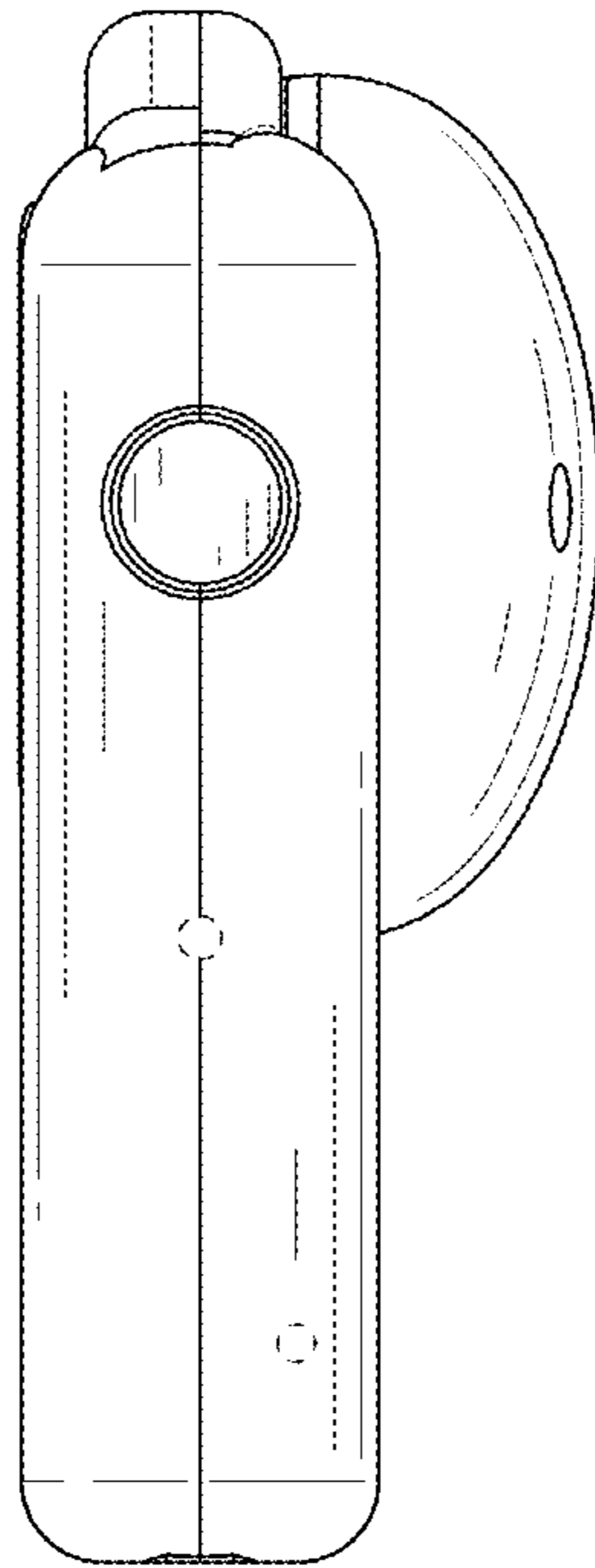


FIG. 13

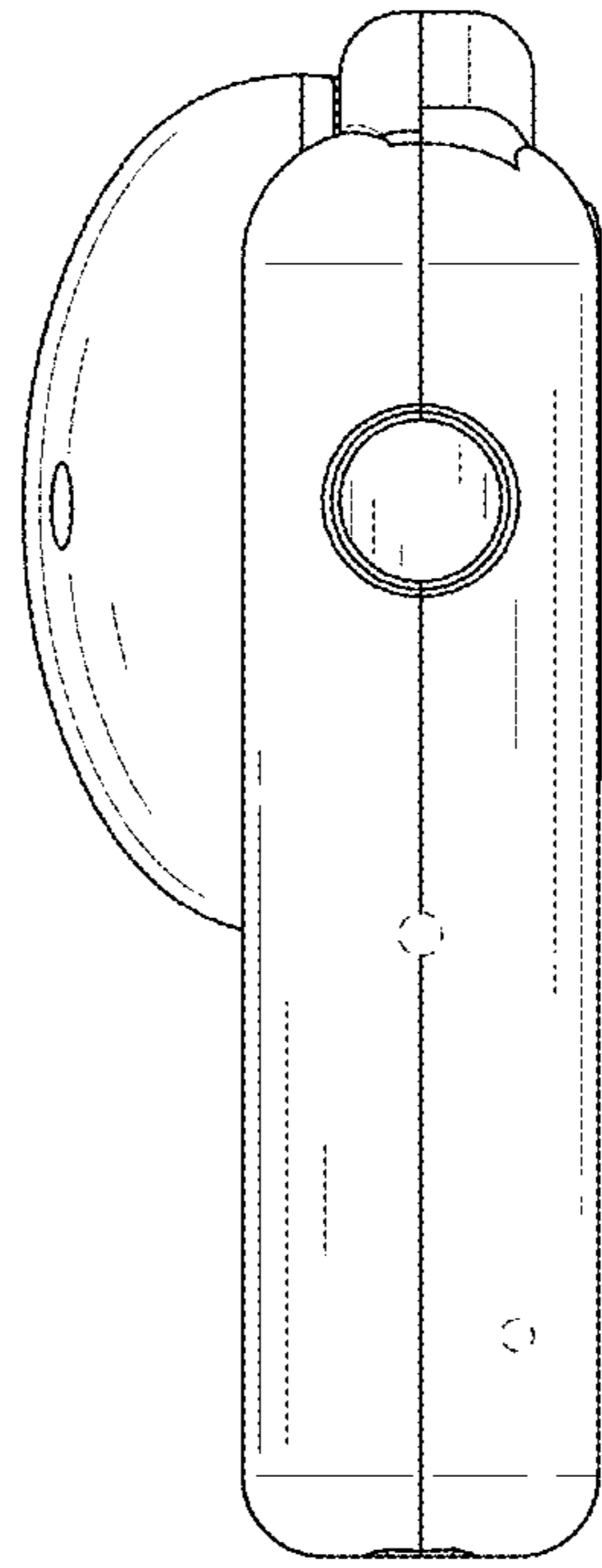


FIG. 14



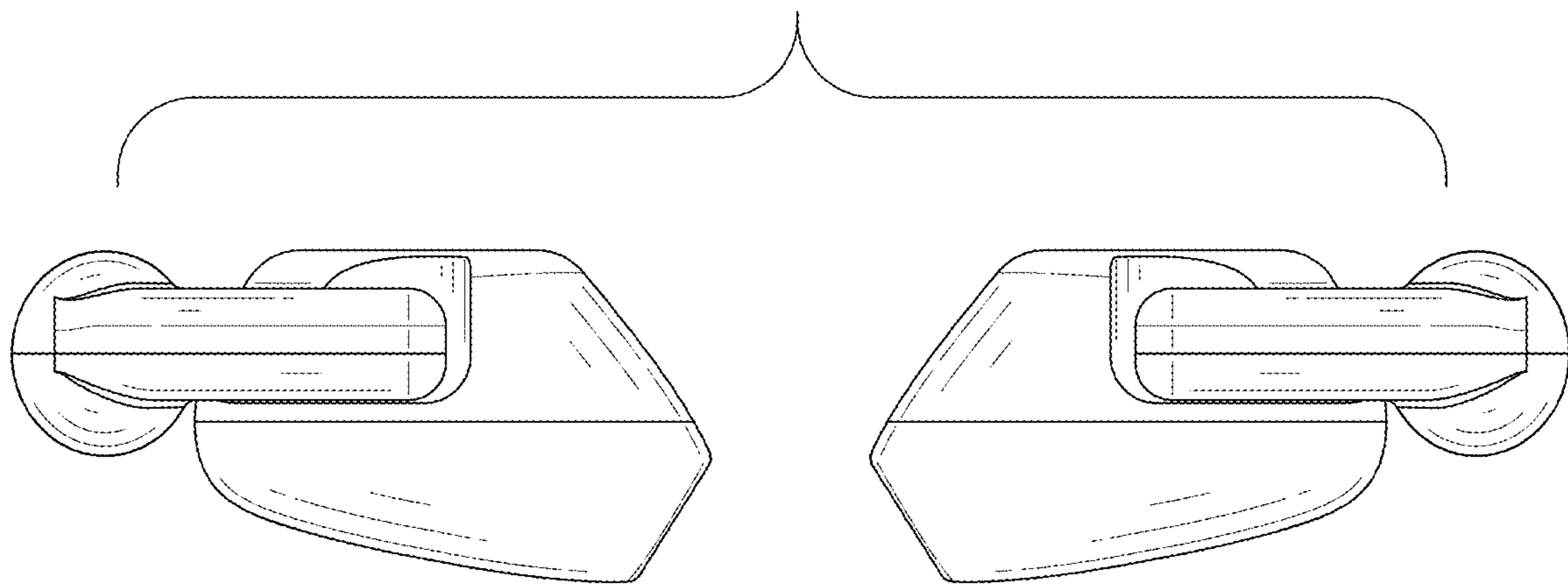


FIG. 15

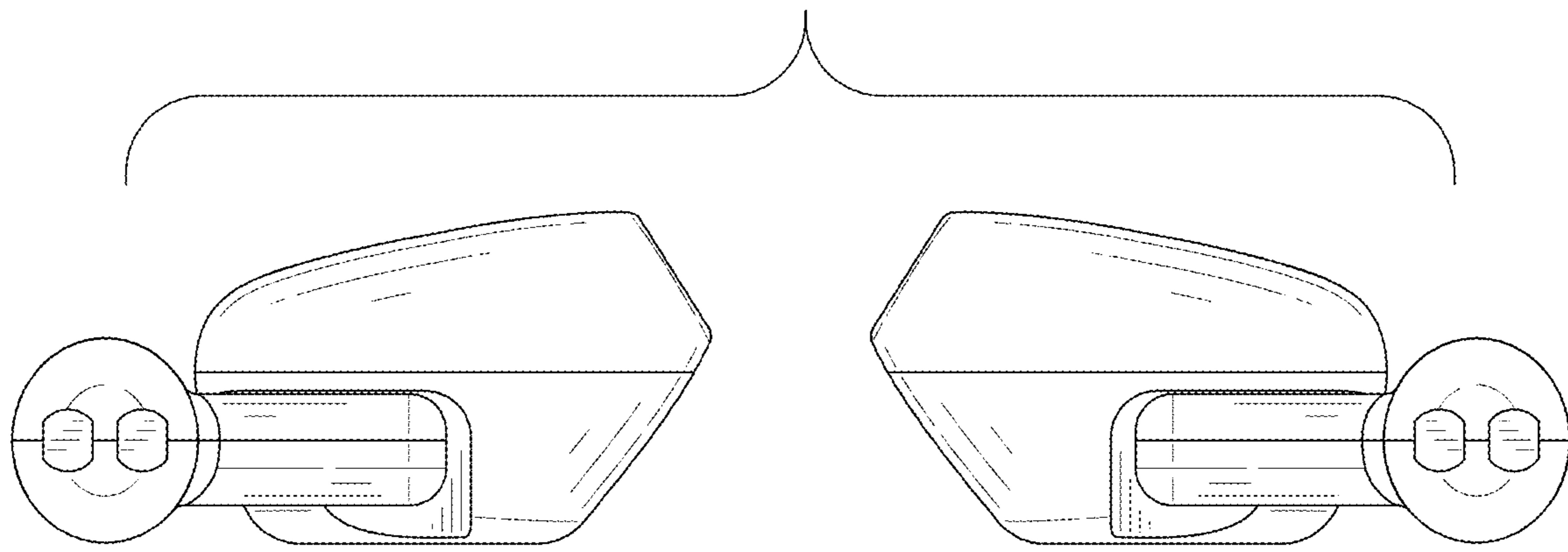


FIG. 16

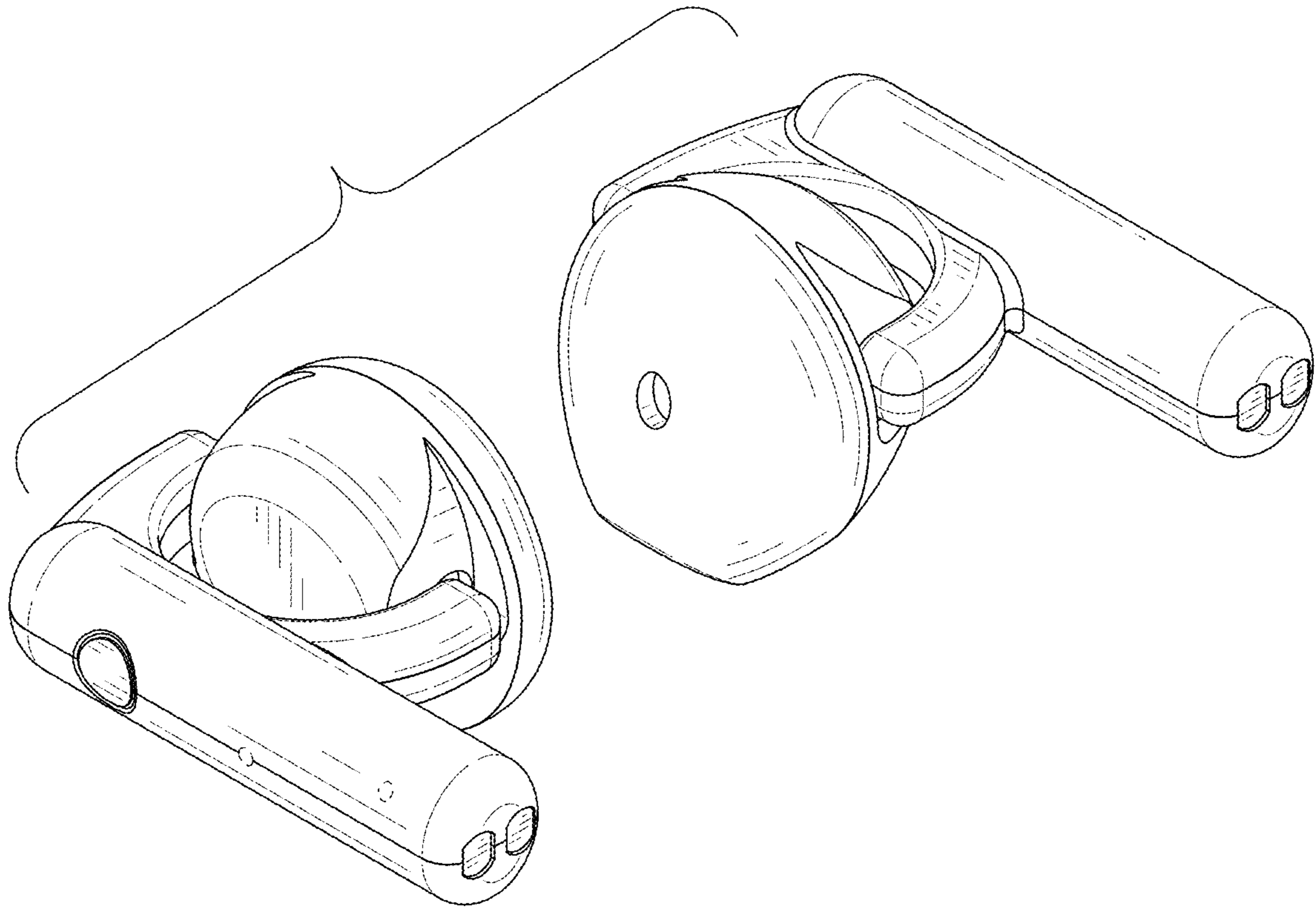


FIG. 17

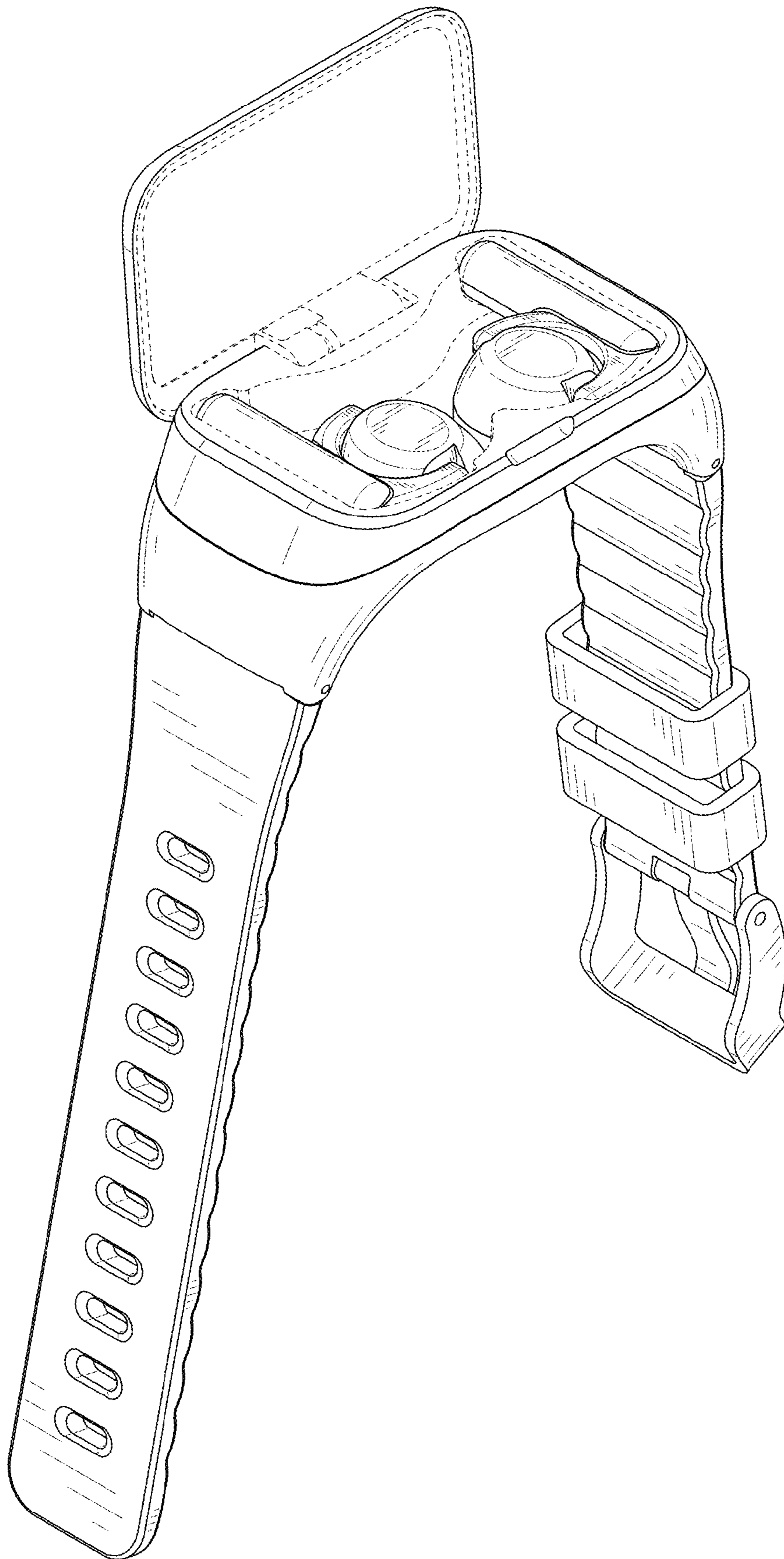


FIG. 18