



US00D887285S

(12) **United States Design Patent**
Straughan

(10) **Patent No.:** **US D887,285 S**

(45) **Date of Patent:** **** Jun. 16, 2020**

(54) **SNUFF BOX**

(71) Applicant: **Swedish Match North Europe AB**,
Stockholm (SE)

(72) Inventor: **Simon Straughan**, Newcastle (GB)

(73) Assignee: **Swedish Match North Europe AB**,
Stockholm (SE)

(**) Term: **15 Years**

(21) Appl. No.: **29/669,406**

(22) Filed: **Nov. 7, 2018**

Related U.S. Application Data

(62) Division of application No. 29/565,637, filed on May 23, 2016, now Pat. No. Des. 845,790.

(30) **Foreign Application Priority Data**

Jan. 18, 2016 (EM) 002949404-0001
Jan. 18, 2016 (EM) 002949404-0002
Jan. 18, 2016 (EM) 002949404-0003
Jan. 18, 2016 (EM) 002949404-0004

(51) **LOC (12) Cl.** **09-01**

(52) **U.S. Cl.**
USPC **D9/772**

(58) **Field of Classification Search**

USPC D9/414, 416, 424, 428, 449, 454, 772;
D1/105; D3/203.2, 203.3, 203.4;
D27/102, 127, 133, 172, 183, 186,
D27/189-190; D24/224; D28/82, 91
CPC ... B65D 1/00; B65D 1/10; B65D 1/12; B65D
1/14; B65D 1/16; B65D 1/165; B65D
23/00; B65D 25/00; B65D 39/00; B65D
39/0052; B65D 39/0076; B65D 39/02;
B65D 39/025; B65D 41/00; B65D 41/16;
B65D 41/18; B65D 41/28; B65D 43/00;
B65D 43/02; B65D 43/0202; B65D
43/0204

See application file for complete search history.

(56) **References Cited**

U.S. PATENT DOCUMENTS

D581,792 S * 12/2008 Krohn D9/504
D617,941 S * 6/2010 Bjorkholm D27/172
D650,269 S * 12/2011 Berggren D9/423

(Continued)

Primary Examiner — Michael A. Pratt

(74) *Attorney, Agent, or Firm* — Knobbe Martens Olson
& Bear LLP

(57) **CLAIM**

The ornamental design for the snuff box, as shown and described.

DESCRIPTION

FIG. 1 is a front exploded perspective view of the snuff box. The rear perspective view is the same as the front perspective view. The snuff box includes a lid placed over a container. Certain features on the interior of the container may form part of the claimed design.

FIG. 2 is a front exploded view of the snuff box of FIG. 1 rotated approximately 45° from left to right. The rear view is the same as the front view.

FIG. 3 is a right side exploded view of the snuff box of FIG. 1 rotated approximately 45° from left to right. The left side view is the same as the right side view.

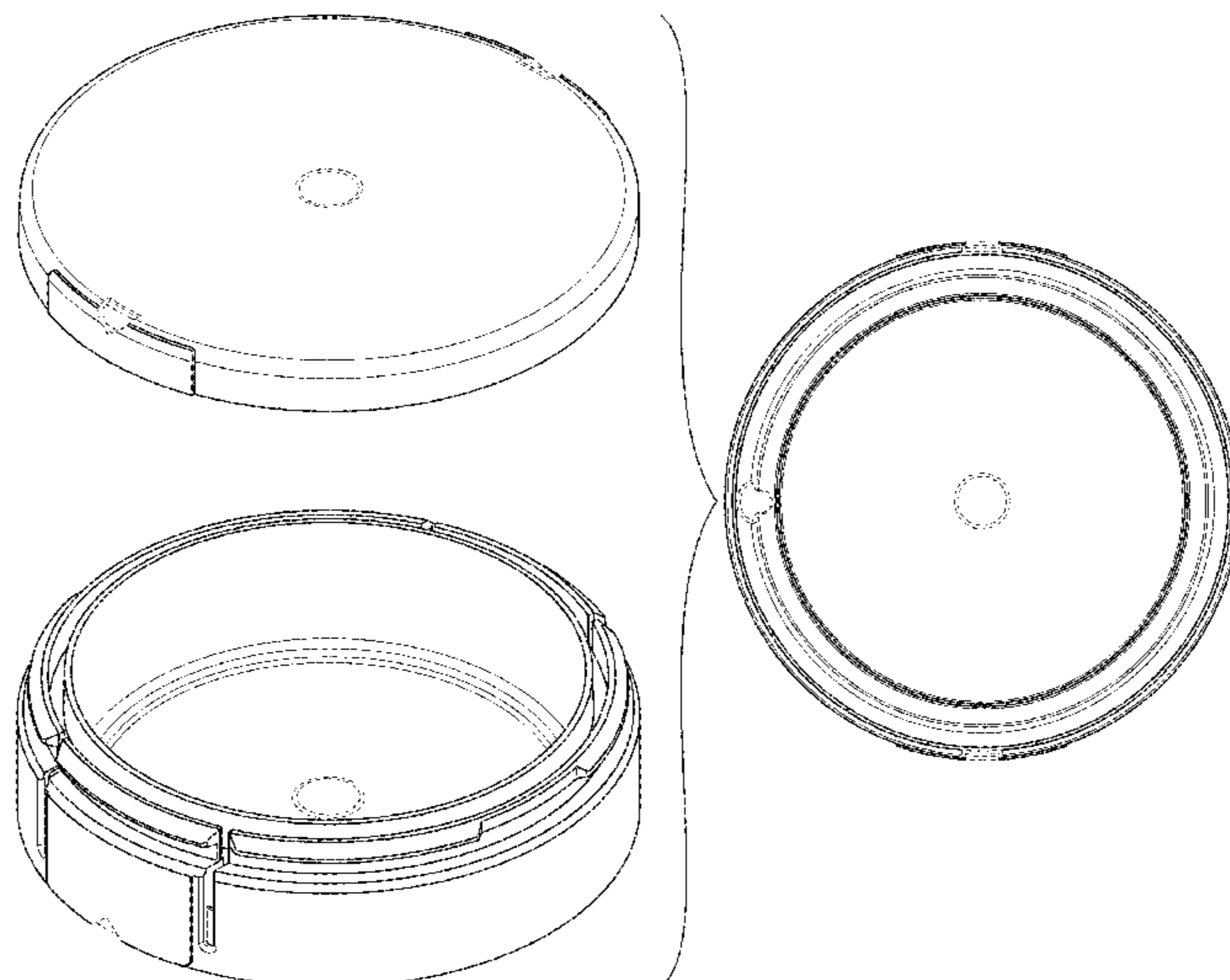
FIG. 4 is an overhead view of the snuff box of FIG. 1 rotated approximately 45° from left to right.

FIG. 5 is an underside view of a snuff box of FIG. 1 rotated approximately 45° from left to right; and,

FIG. 6 is perspective view of a snuff box of FIG. 1. The view in FIG. 6 results from the snuff box of FIG. 1 being flipped over and rotated about 90° from left to right.

In general, any broken line illustration of environmental structure in the drawing forms no part of the design sought to be patented.

1 Claim, 4 Drawing Sheets



(56)

References Cited

U.S. PATENT DOCUMENTS

D686,513 S *	7/2013	Henriksson	D9/428
D711,746 S *	8/2014	Humm	D9/449
D712,263 S *	9/2014	Humm	D9/449
D712,264 S *	9/2014	Humm	D9/449
D719,715 S *	12/2014	Kesselman	D99/37
D721,853 S *	1/2015	Koo	D28/82
D722,404 S *	2/2015	Son	D28/82
D726,377 S *	4/2015	Koo	D28/82
D756,790 S *	5/2016	Henriksson	D9/504
D773,302 S *	12/2016	Henriksson	D9/451

* cited by examiner

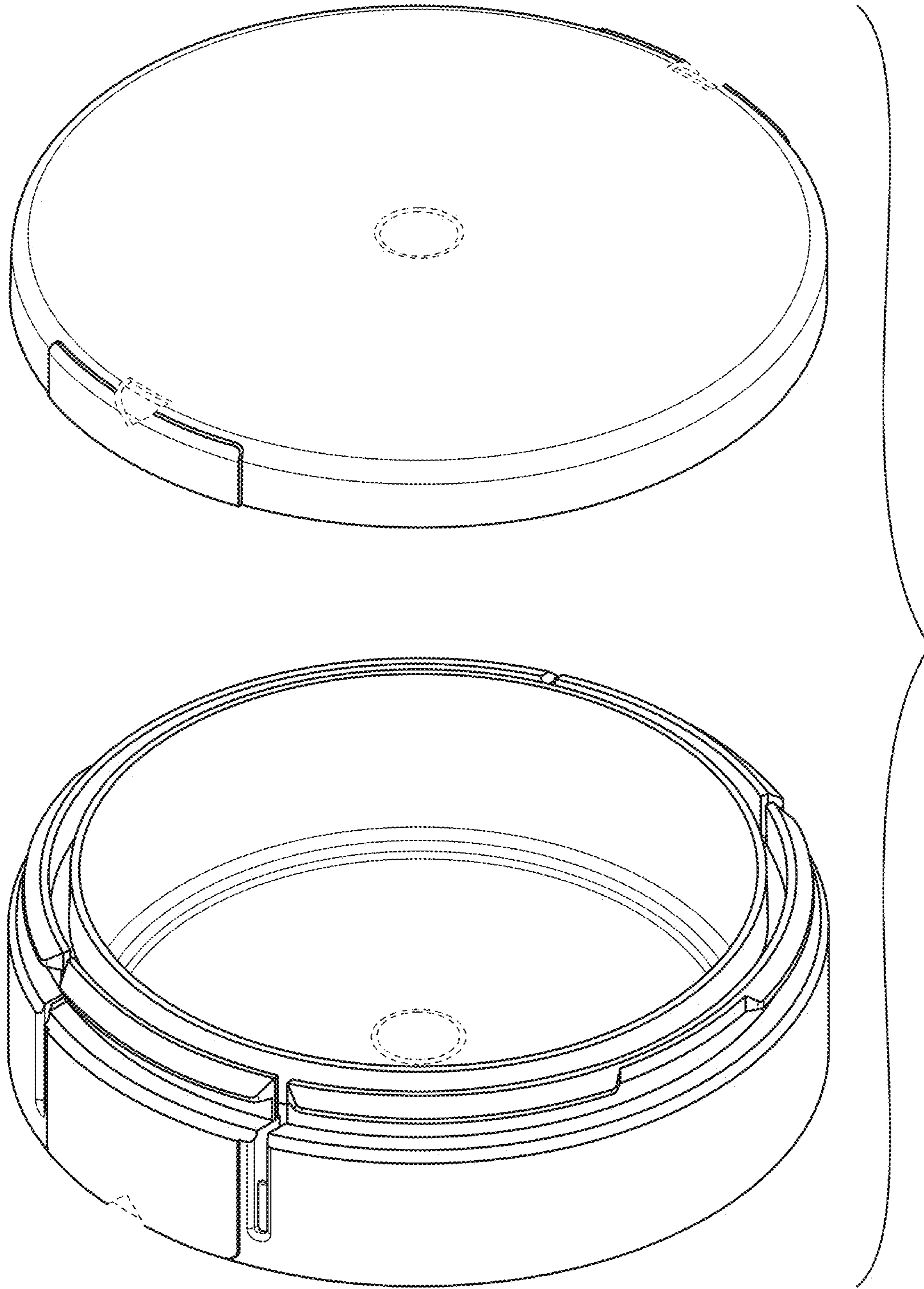


FIG. 1

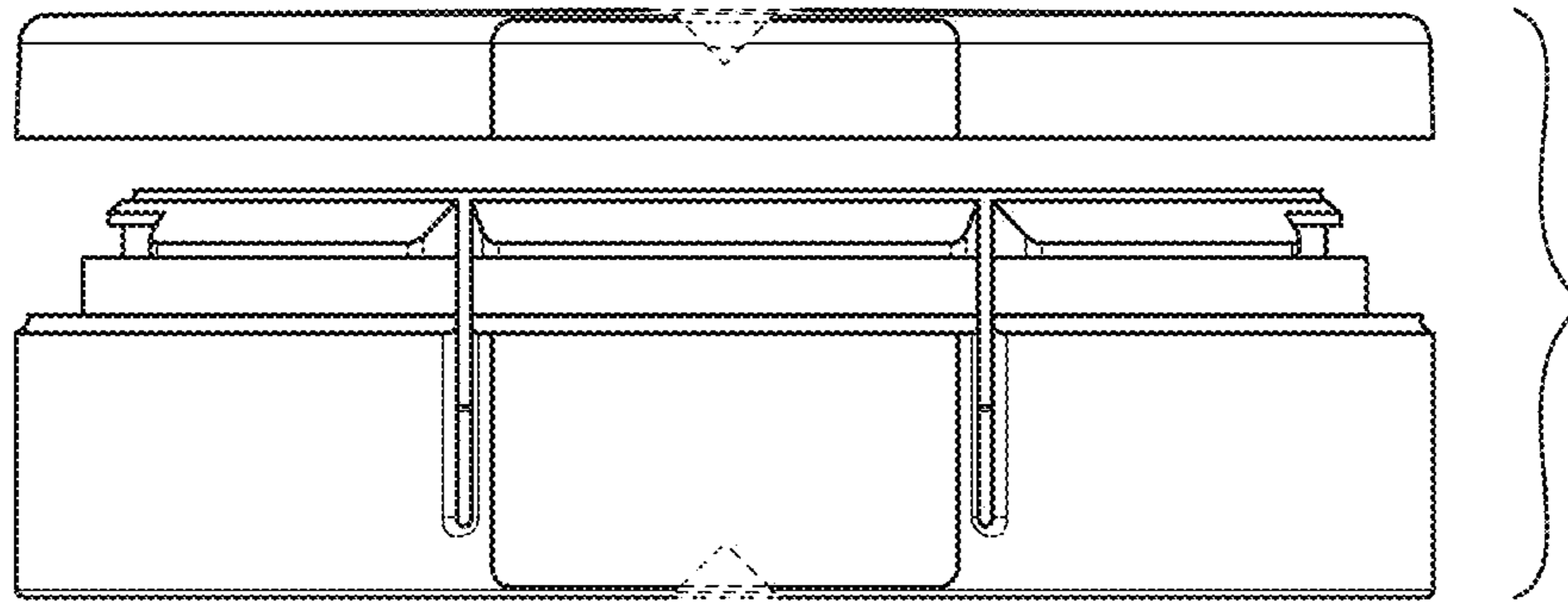


FIG. 2

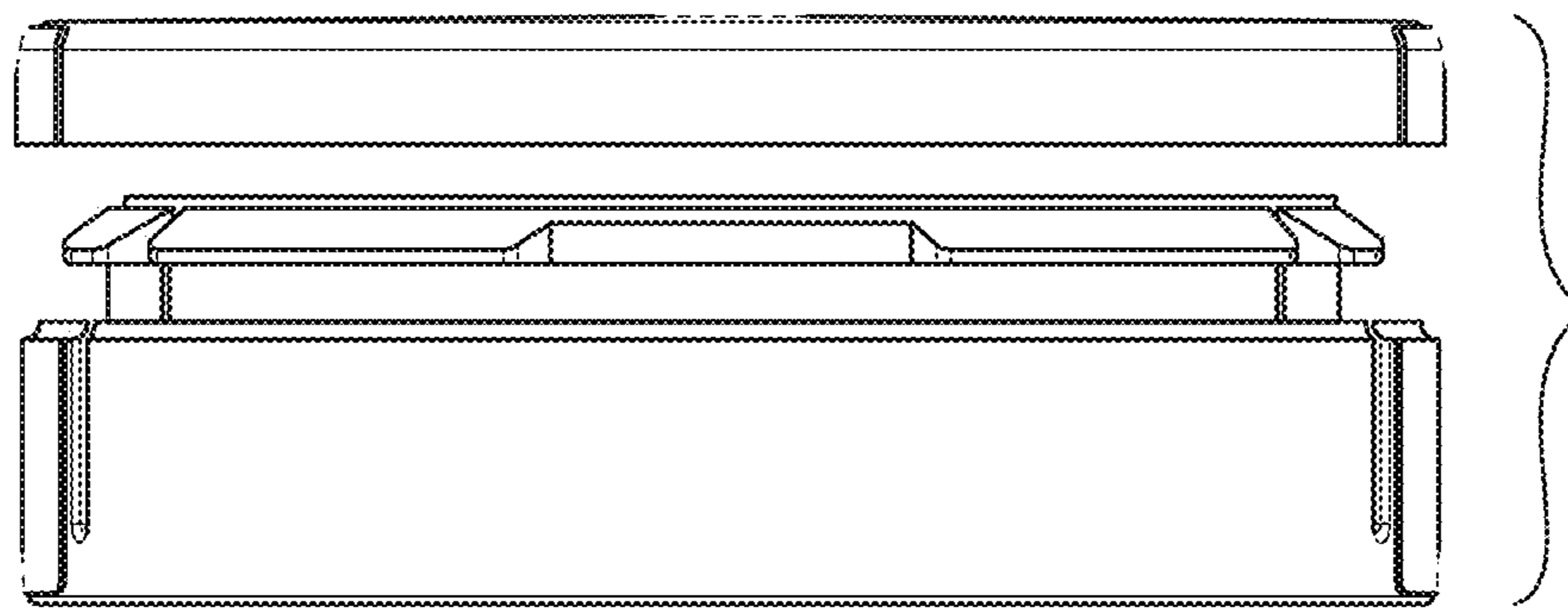


FIG. 3

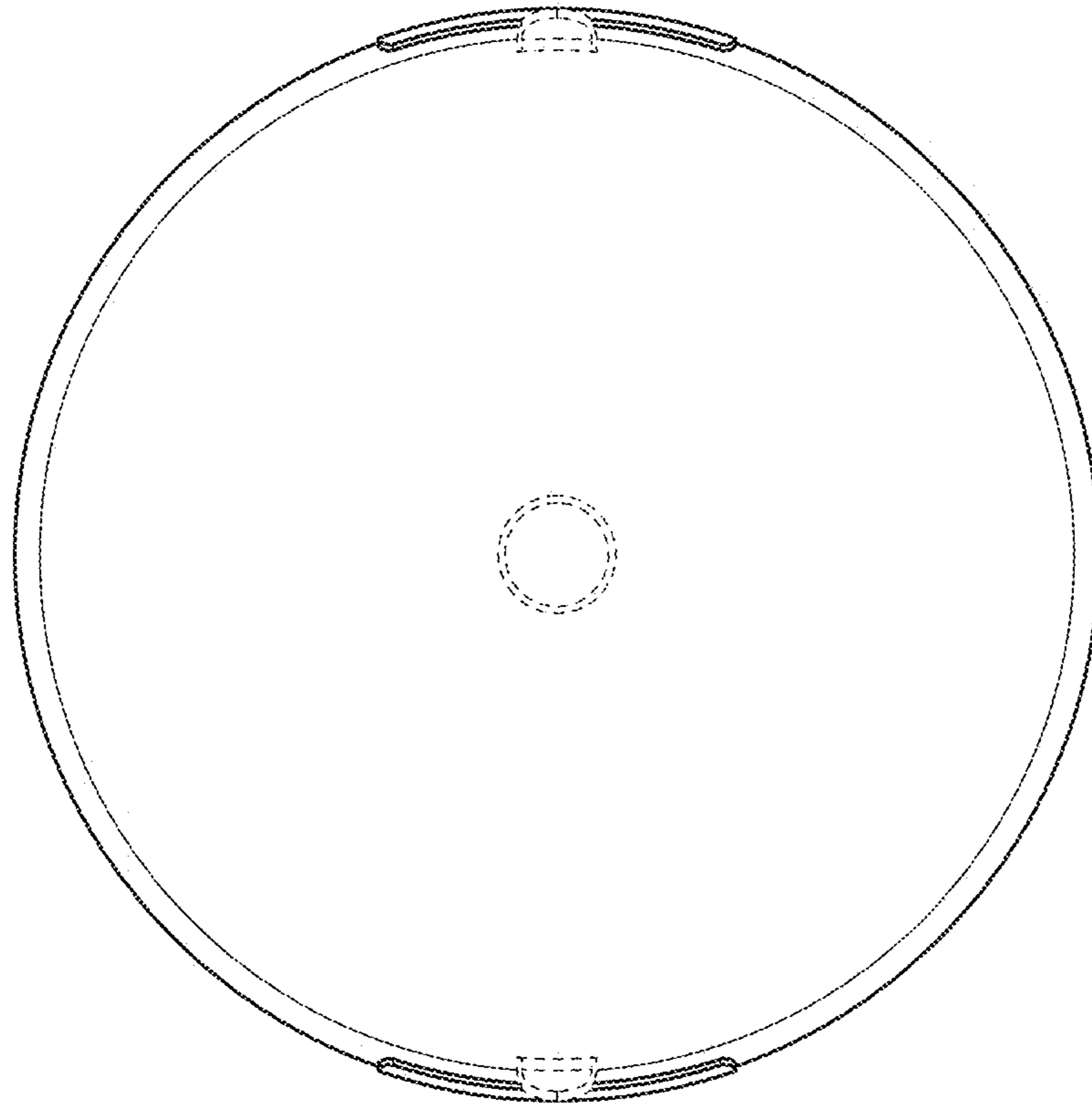


FIG. 4

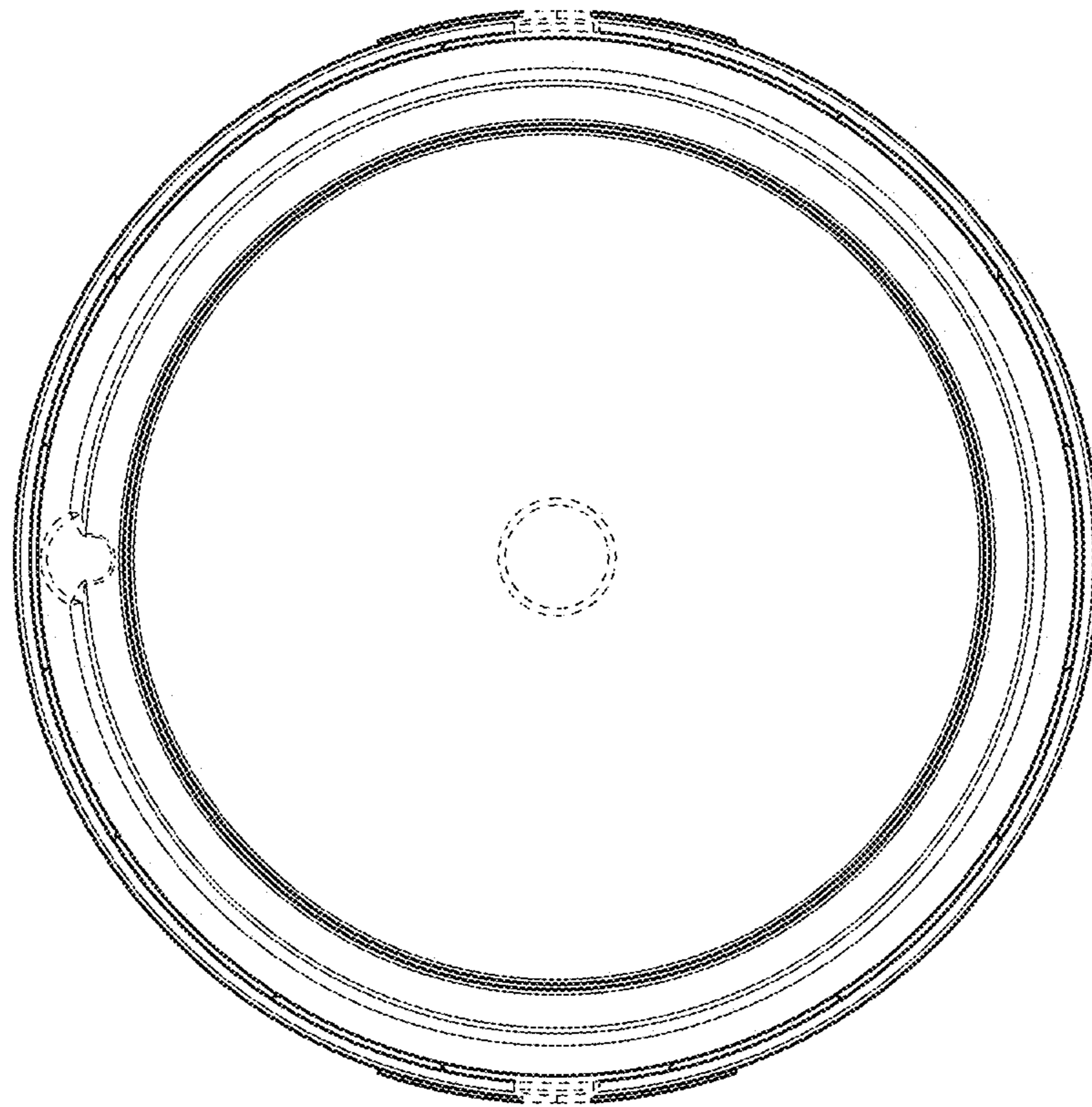


FIG. 5

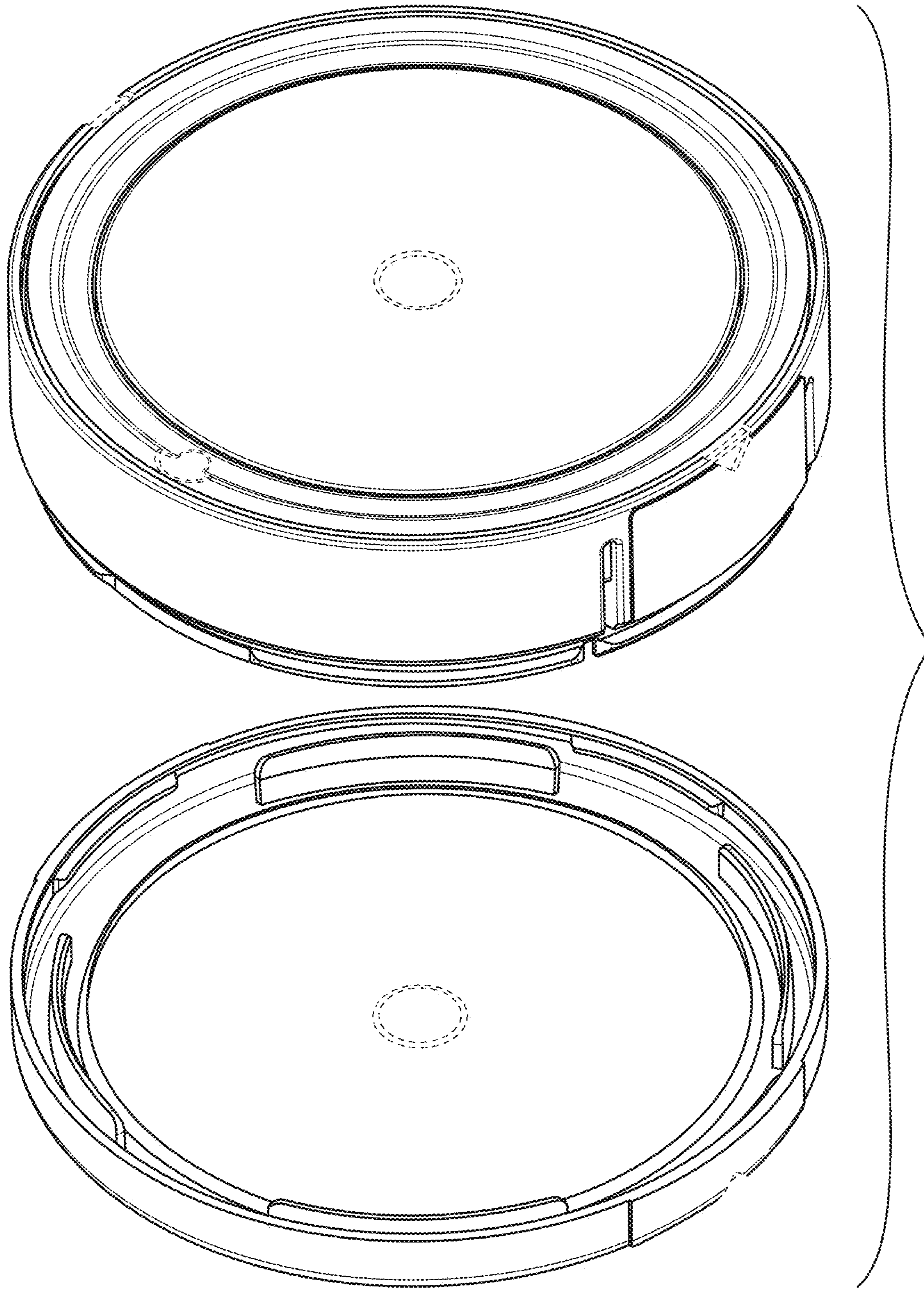


FIG. 6