



US00D887284S

(12) **United States Design Patent**
Goad et al.

(10) **Patent No.:** **US D887,284 S**
(45) **Date of Patent:** **** Jun. 16, 2020**

(54) **PACKAGE**

- (71) Applicant: **Display Pack, Inc.**, Cedar Springs, MI (US)
- (72) Inventors: **Joshua C. Goad**, Belmont, MI (US);
Scott A. Francis, Rockford, MI (US);
Marc R. Meyer, Grand Rapids, MI (US);
Jason M. Rose, Grand Rapids, MI (US)
- (73) Assignee: **Display Pack, Inc.**, Cedar Springs, MI (US)

(**) Term: **15 Years**

(21) Appl. No.: **29/646,520**

(22) Filed: **May 4, 2018**

(51) **LOC (12) Cl.** **09-03**

(52) **U.S. Cl.**

USPC **D9/756**

(58) **Field of Classification Search**

USPC D9/756, 737, 424, 425, 426, 428-432,
D9/748, 749, 759-761, 601, 586, 701,
D9/703, 708; D7/550.1, 554.3, 587,
D7/554.4, 602, 553.1-553.8, 555, 672,
D7/677; D3/20, 203.3, 294, 295,
D3/313-315, 901, 304; D24/105,
D24/176-180, 229, 230; 220/4.21-4.27,
220/500, 555, 556, 575, 507, 523, 524,
220/DIG. 10, DIG. 20; 229/406, 120.03,
229/407, 904, 908; 433/77; D30/130;

(Continued)

(56) **References Cited**

U.S. PATENT DOCUMENTS

- 1,350,651 A * 8/1920 Comp A47J 37/108
249/119
- D158,214 S * 4/1950 O'Callaghan D7/326

(Continued)

OTHER PUBLICATIONS

Fidget Spinner image downloaded from <http://www.as-seenontvandbeyond.com/assets/images/fidget-spinner-blue.jpg> on May 3, 2018.

Primary Examiner — W. A. Teddy Falloway

(74) *Attorney, Agent, or Firm* — Warner Norcross + Judd LLP

(57) **CLAIM**

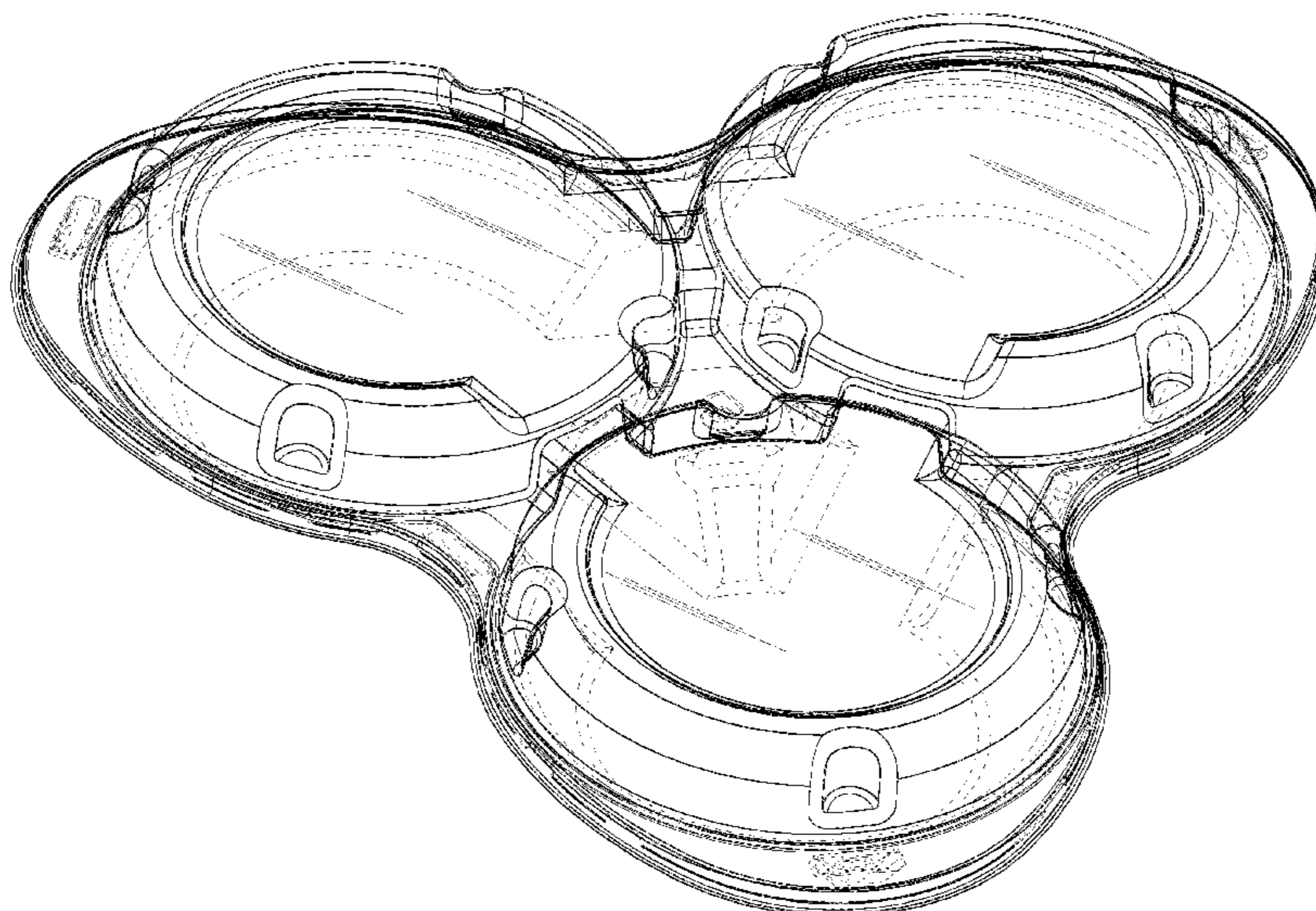
The ornamental design for a package, as shown and described.

DESCRIPTION

FIG. 1 is a top, front perspective view of a package;
 FIG. 2 is a bottom, rear perspective view thereof;
 FIG. 3 is a front view thereof;
 FIG. 4 is a rear view thereof;
 FIG. 5 is a right side view thereof;
 FIG. 6 is a left side view thereof;
 FIG. 7 is a top view thereof;
 FIG. 8 is a bottom view thereof;
 FIG. 9 is a front view of an interior of a base of the package with a lid removed therefrom, shown separately for clarity of illustration;
 FIG. 10 is a rear, bottom perspective view of the base of the package with the lid removed therefrom, shown separately for clarity of illustration;
 FIG. 11 is a rear view of an interior of the lid of the package with the base removed therefrom, shown separately for clarity of illustration; and,
 FIG. 12 is a front, top perspective view of the lid of the package with the base removed therefrom, shown separately for clarity of illustration.

The broken lines illustrate portions of the package. The broken lines shown immediately adjacent to solid line subject matter represent the bounds of the claim. The broken lines form no part of the claimed design.

1 Claim, 12 Drawing Sheets



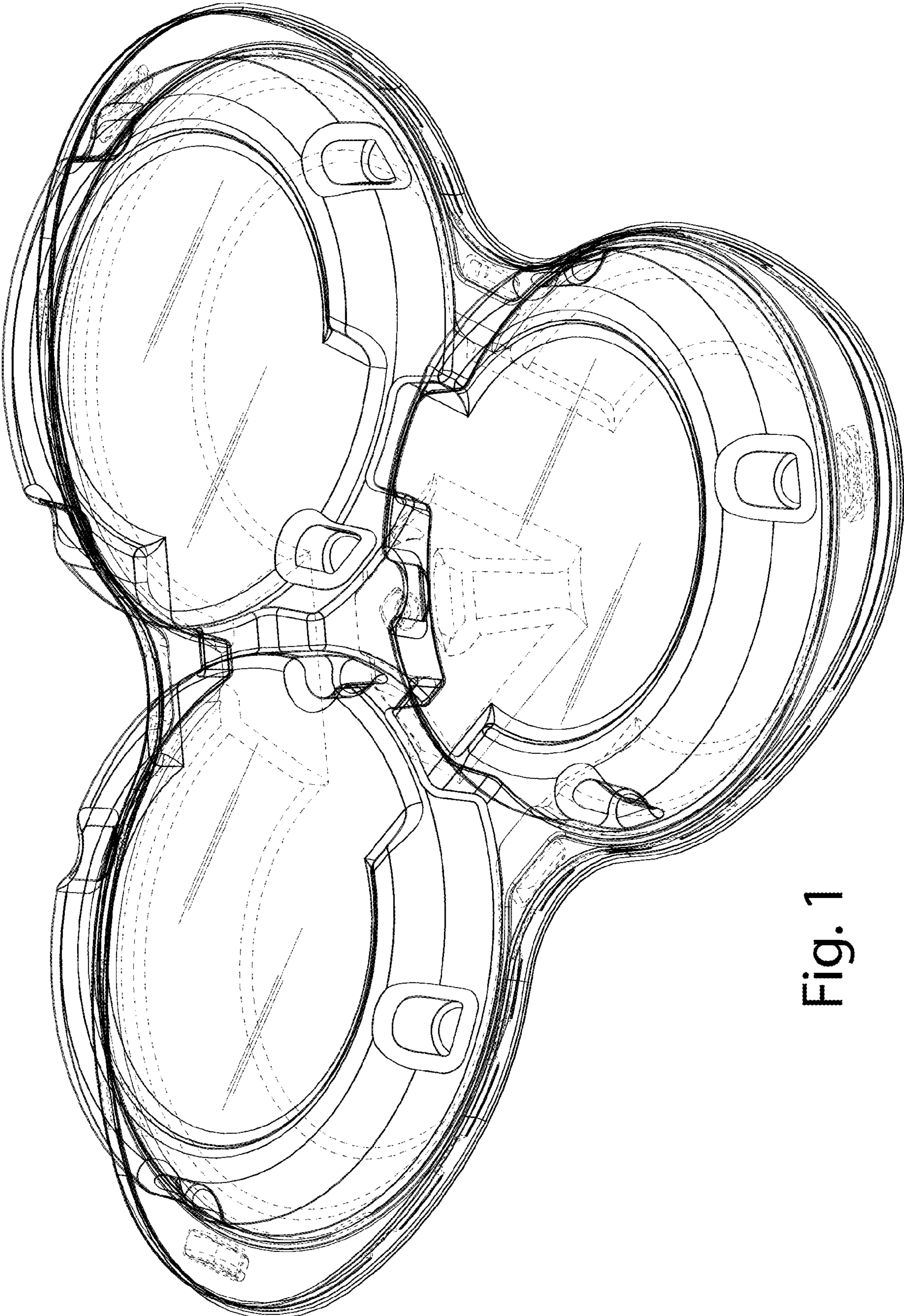


Fig. 1

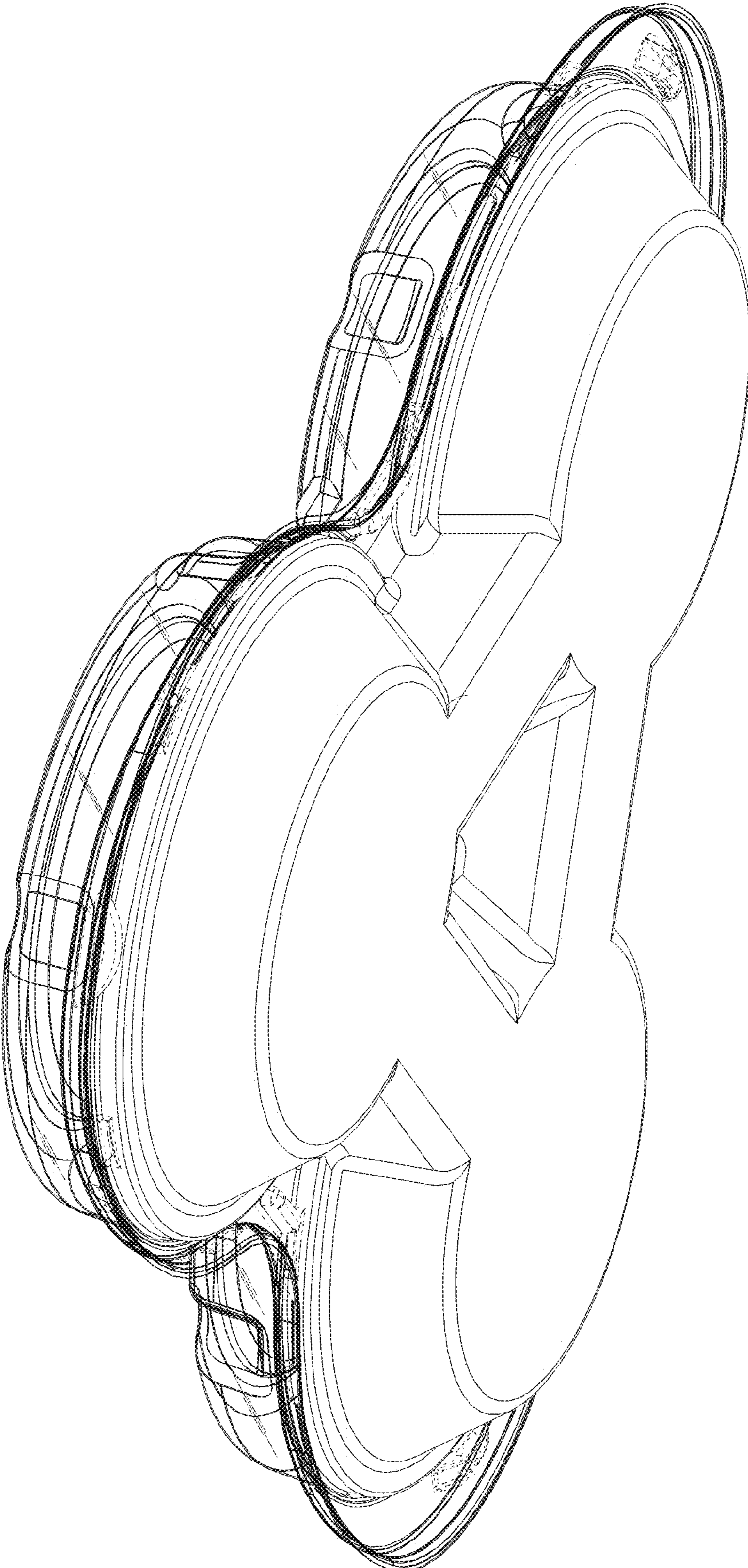


Fig. 2

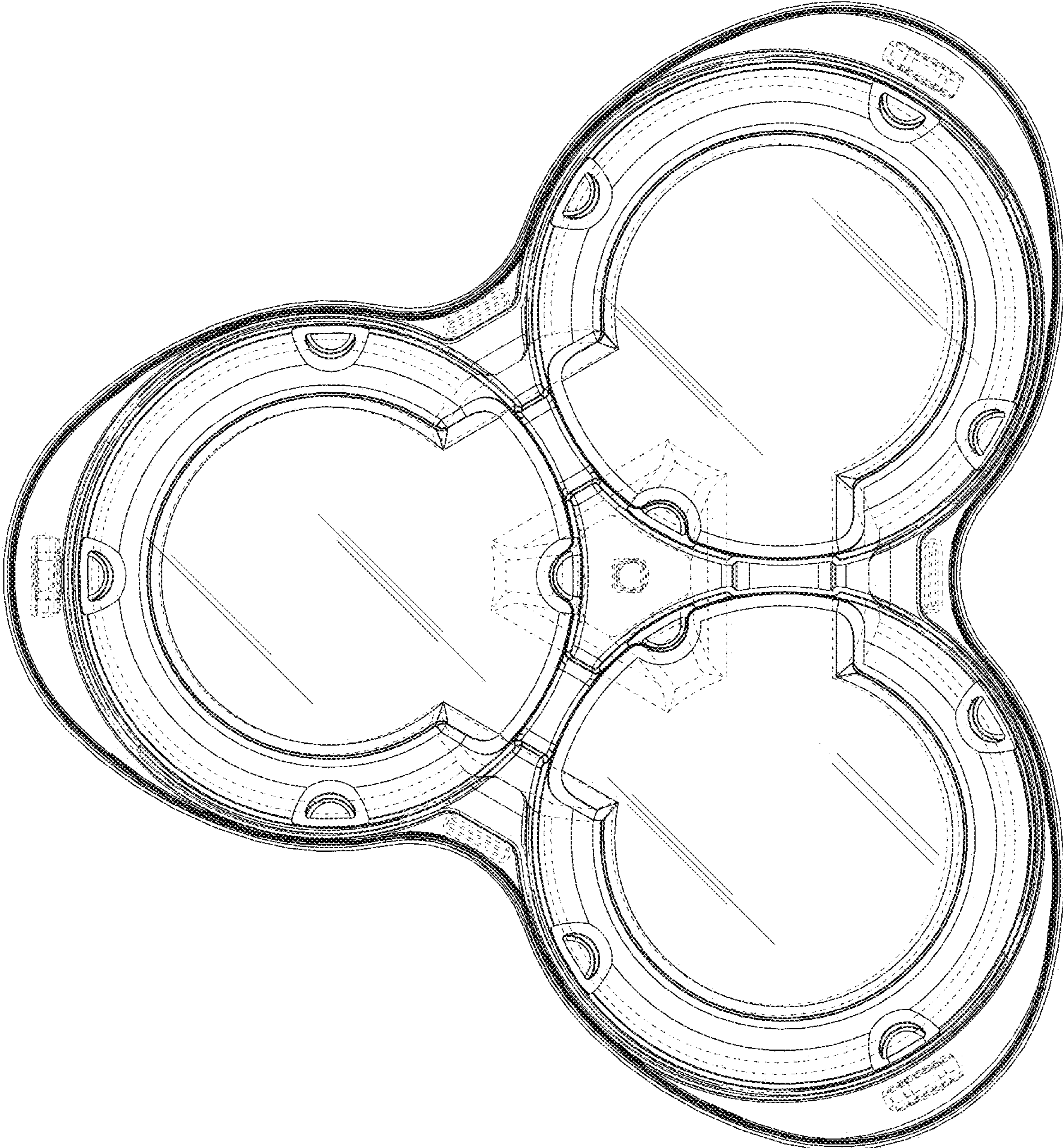


Fig. 3

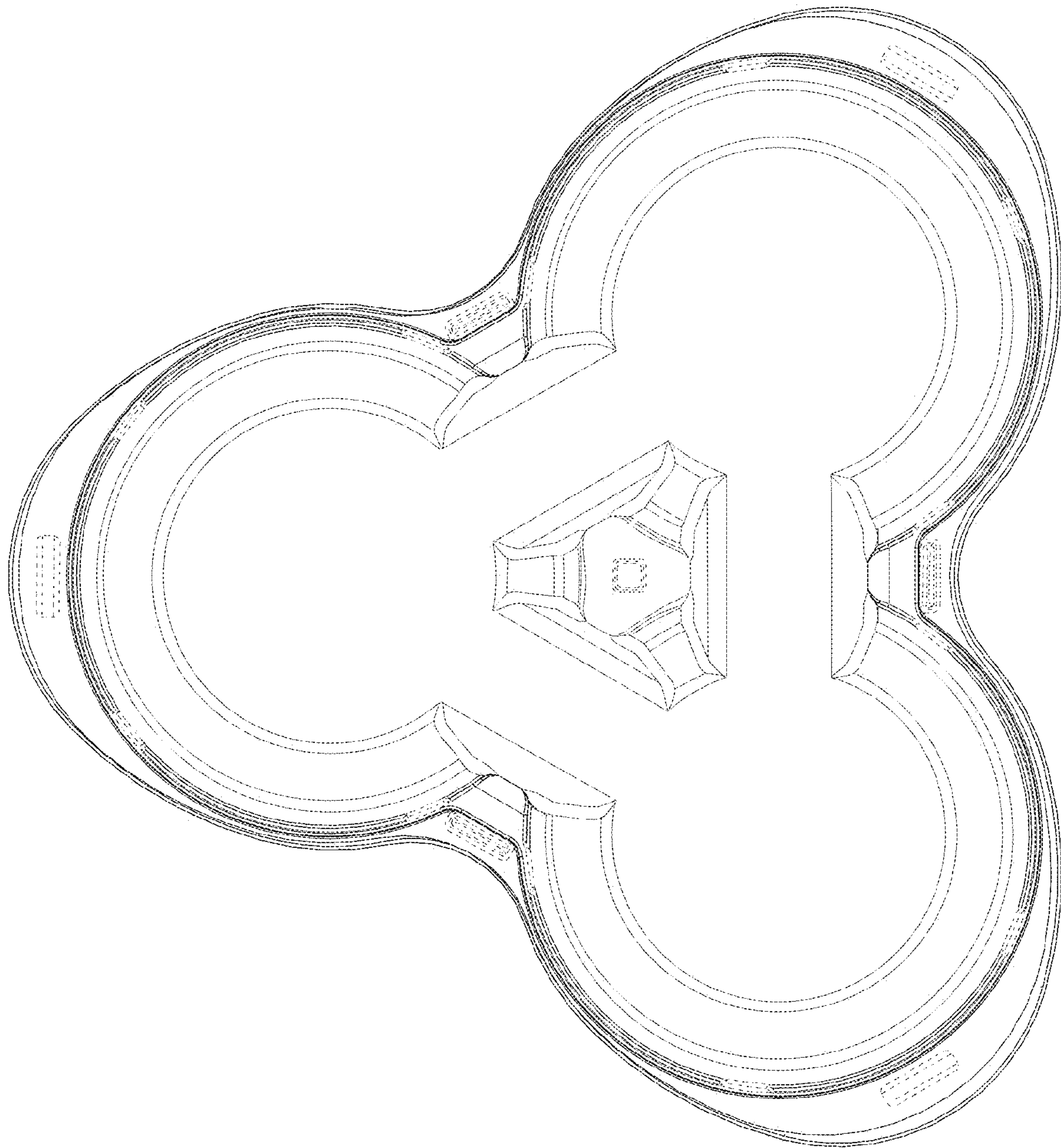


Fig. 4

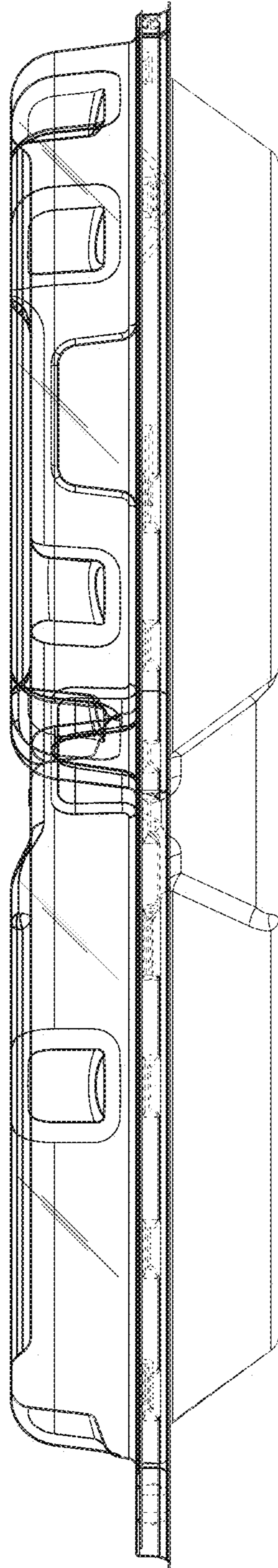


Fig. 5

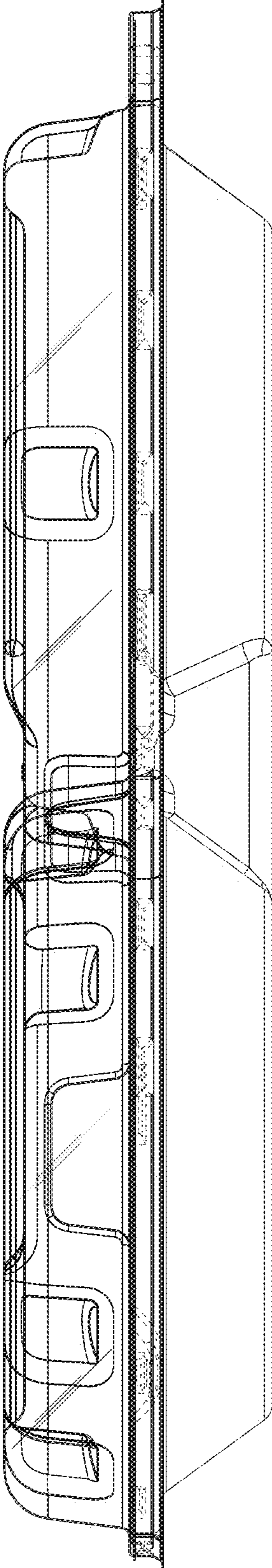


Fig. 6

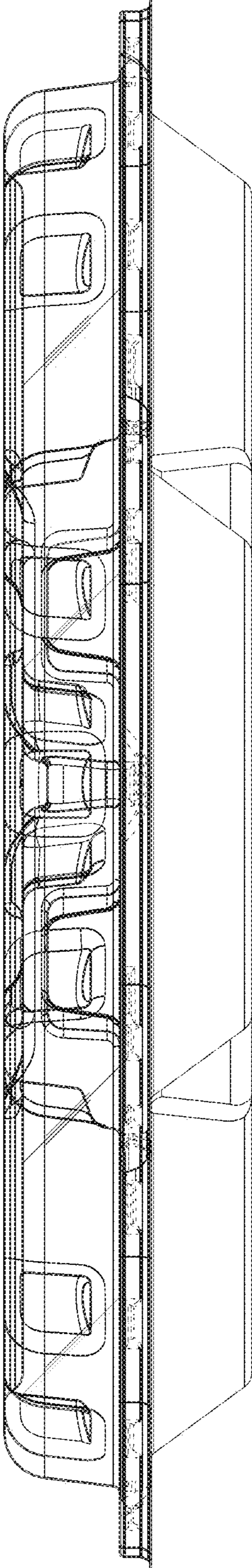


Fig. 7

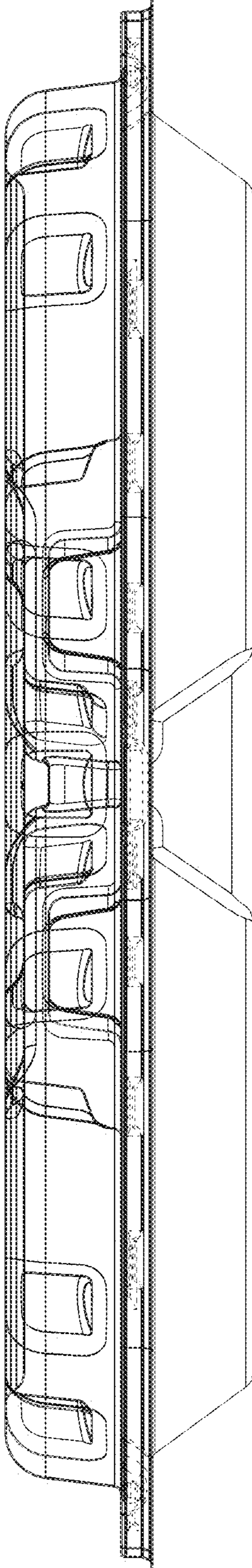


Fig. 8

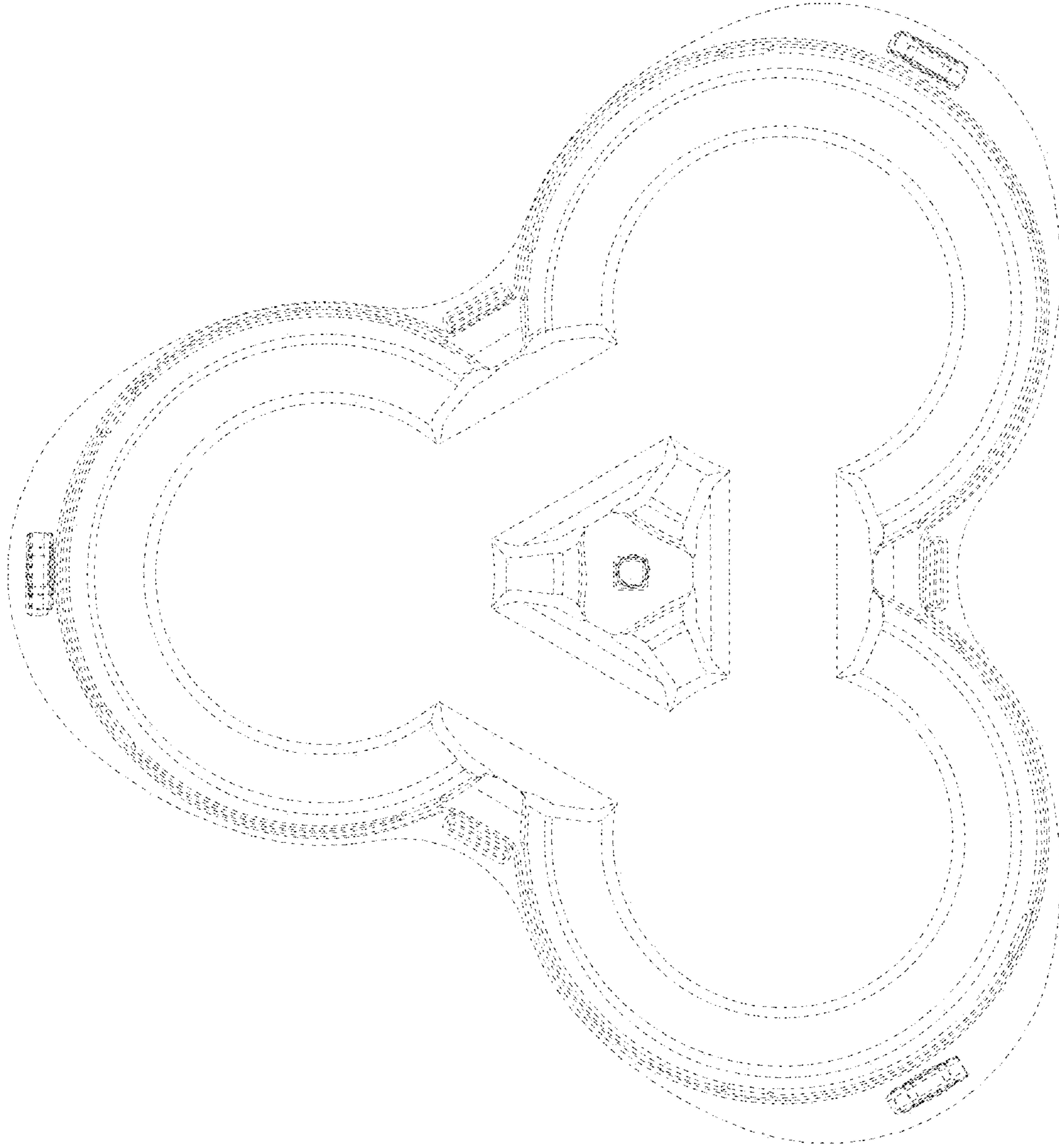


Fig. 9

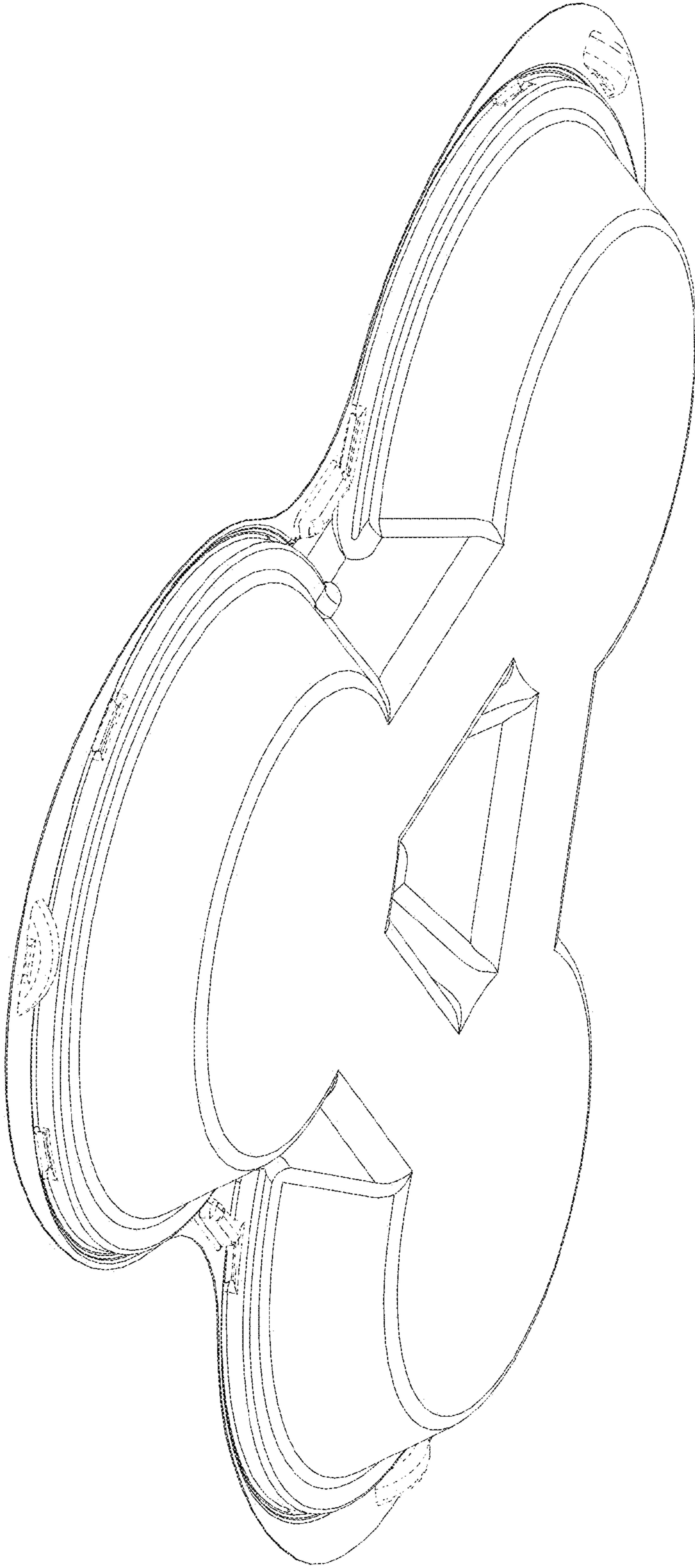


Fig. 10

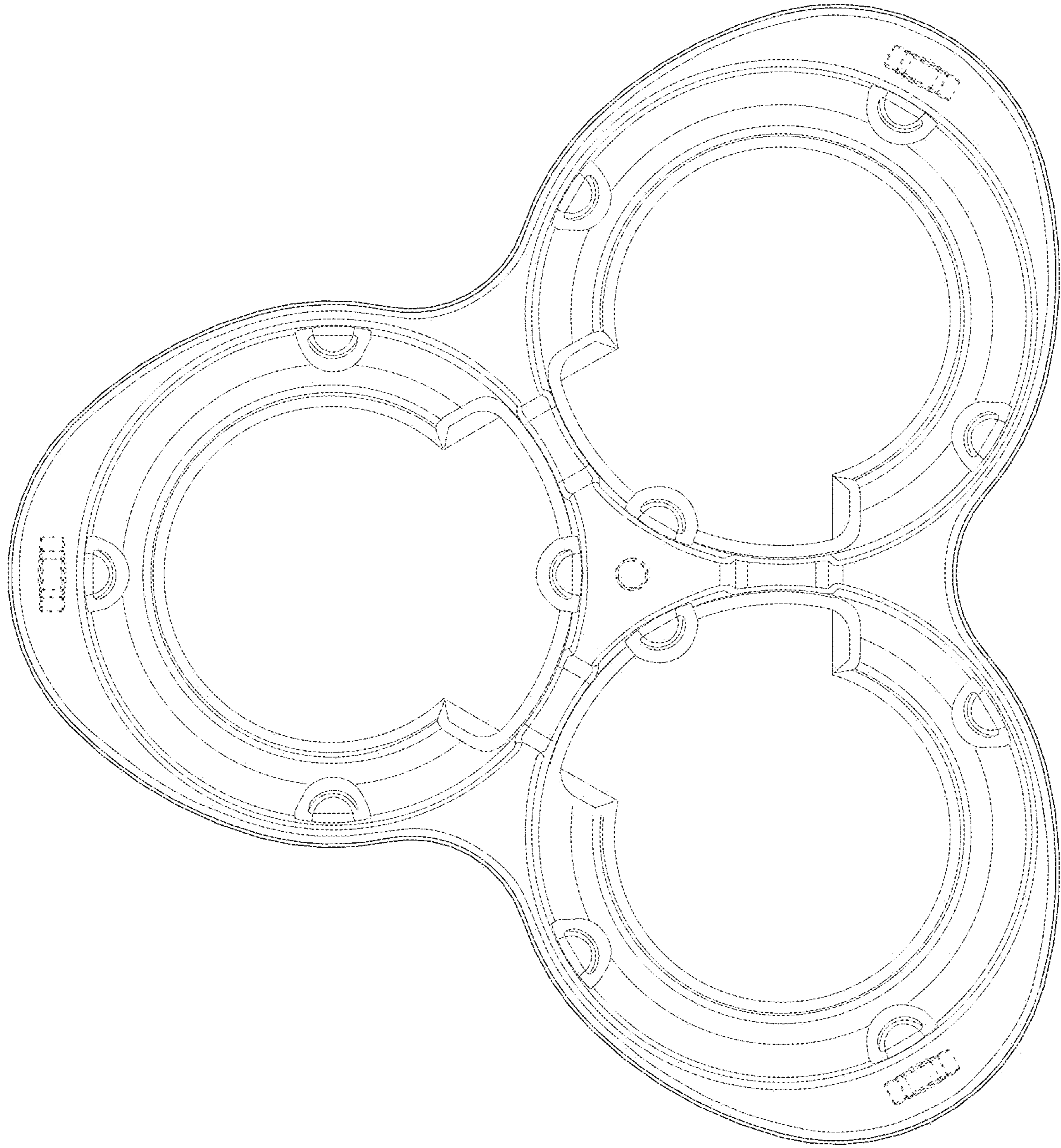


Fig. 11

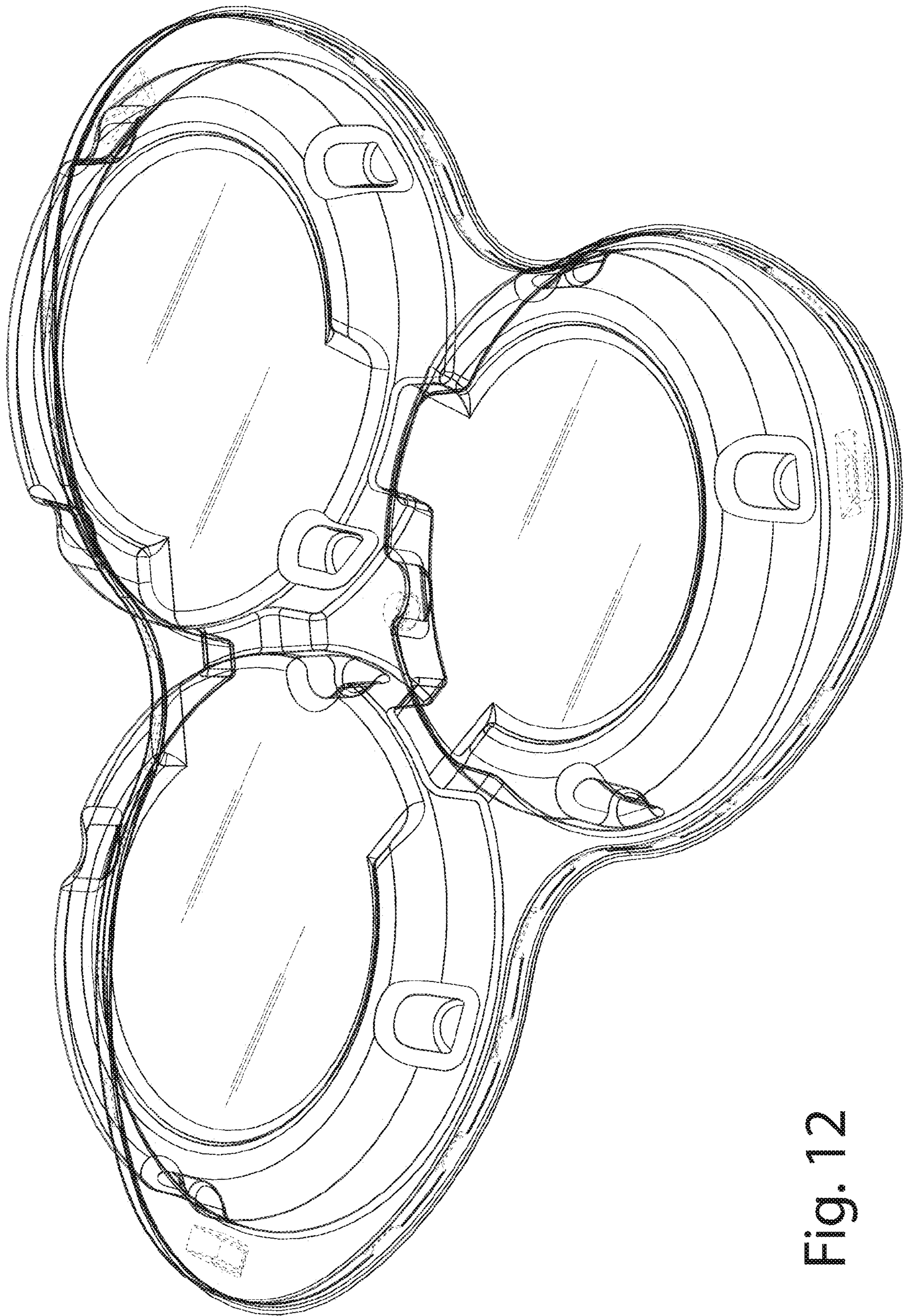


Fig. 12