



US00D887283S

(12) **United States Design Patent** (10) **Patent No.:** **US D887,283 S**  
**Sennett et al.** (45) **Date of Patent:** **\*\* Jun. 16, 2020**

(54) **PACKAGE FOR A SHAVING RAZOR CARTRIDGE**  
(71) Applicant: **The Gillette Company LLC**, Boston, MA (US)  
(72) Inventors: **Richard Kevin Sennett**, Abington, MA (US); **Esteban Andre Trujillo-Perez**, Dorchester, MA (US)  
(73) Assignee: **The Gillette Company LLC**, Boston, MA (US)  
(\*\*) Term: **15 Years**  
(21) Appl. No.: **29/601,207**  
(22) Filed: **Apr. 20, 2017**  
(51) **LOC (12) Cl.** ..... **09-03**  
(52) **U.S. Cl.**  
USPC ..... **D9/748**  
(58) **Field of Classification Search**  
USPC ..... D9/414, 415, 418, 424, 425, 430, 432, D9/433, 652, 715, 722, 732, 735, 737, D9/748, 749; D7/357, 614, 701; D3/205, 269, 271.1, 313, 319; 206/228, 206/581, 223, 352-359, 361, 369, 370, 206/372, 208, 209; 220/23.88, 23.83, 220/23.86, 500, 501, 377  
CPC .. B65D 73/0092; B65D 75/36; B65D 75/322; B65D 75/327; B65D 75/366; B65D 75/367; A45D 27/225  
See application file for complete search history.

(56) **References Cited**  
U.S. PATENT DOCUMENTS  
3,463,307 A \* 8/1969 Caplan ..... B65D 75/366  
206/469  
3,861,528 A \* 1/1975 Damuth ..... B65D 75/322  
206/463

D250,092 S \* 10/1978 Schoenfield ..... D9/414  
D268,331 S \* 3/1983 Kay ..... D9/415  
D272,091 S \* 1/1984 Kaufman ..... D24/119  
D275,180 S \* 8/1984 Bakus ..... D9/722  
D275,371 S \* 9/1984 Siegel ..... D9/415  
4,512,474 A \* 4/1985 Harding ..... B65D 75/225  
206/461  
4,555,030 A \* 11/1985 Byrne ..... F16M 13/02  
206/354  
D327,425 S \* 6/1992 Hamada ..... D9/415  
D327,426 S \* 6/1992 Karita ..... D9/415  
5,244,092 A \* 9/1993 Karita ..... B41J 2/16505  
206/462  
D352,236 S \* 11/1994 Althaus ..... D9/748  
D366,828 S \* 2/1996 Bachand ..... D9/425  
D369,547 S \* 5/1996 Dahlheimer ..... D9/415  
D386,405 S \* 11/1997 Bernstein ..... D9/415  
D441,646 S \* 5/2001 Adkins ..... D9/415  
D453,901 S \* 2/2002 Shepperson ..... D9/415

(Continued)

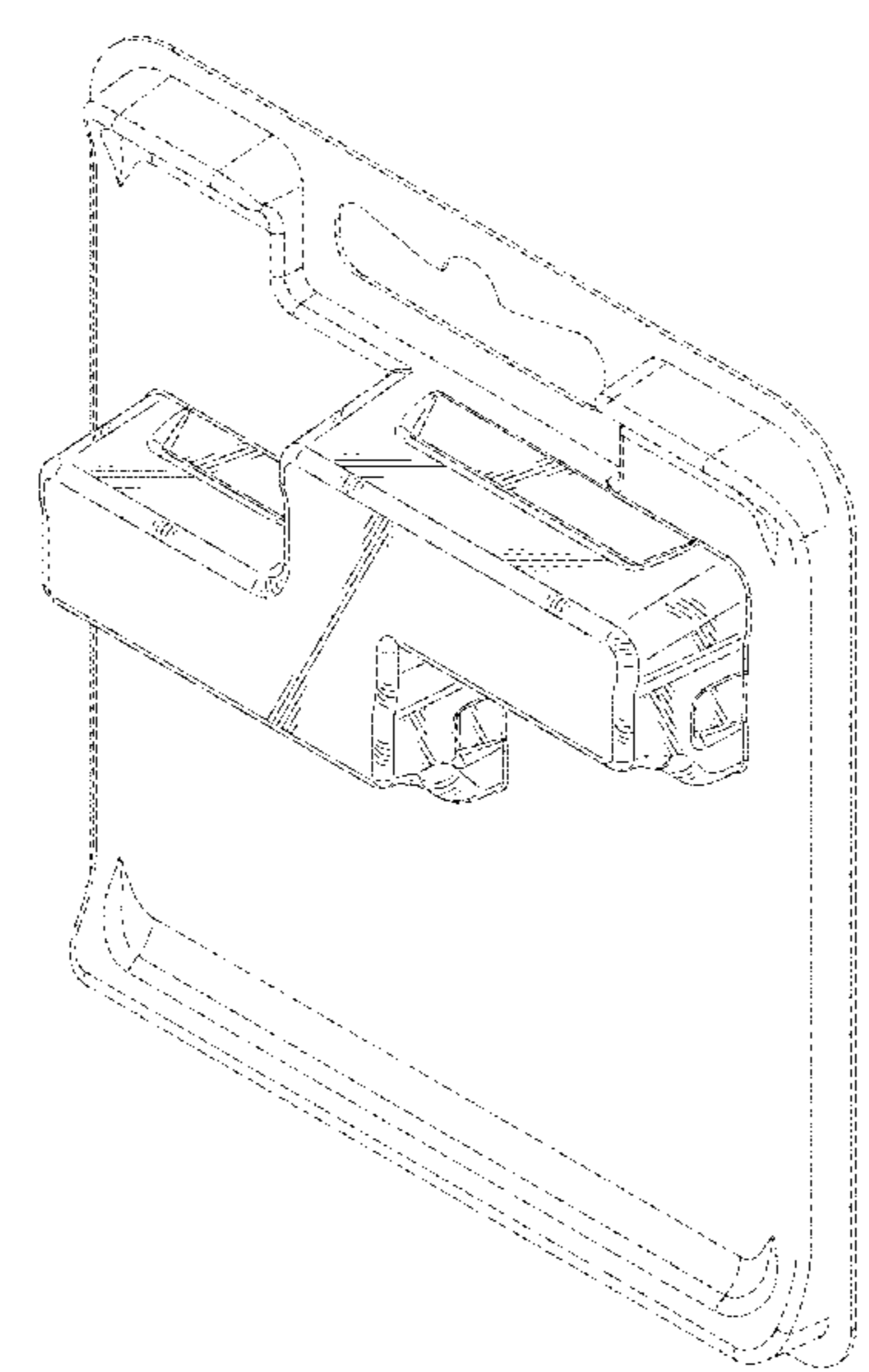
*Primary Examiner* — W. A. Teddy Falloway  
(74) *Attorney, Agent, or Firm* — John M. Lipchitz

(57) **CLAIM**  
The ornamental design for a package for a shaving razor cartridge, as shown and described.

**DESCRIPTION**

FIG. 1 is a front perspective view of a package for a shaving razor cartridge showing our new design;  
FIG. 2 is a front view thereof;  
FIG. 3 is a rear view thereof;  
FIG. 4 is a right side view thereof;  
FIG. 5 is a left side view thereof;  
FIG. 6 is a top view thereof;  
FIG. 7 is a bottom view thereof;  
FIG. 8 is a front bottom perspective view thereof; and,  
FIG. 9 is a rear perspective view thereof.  
The broken lines are directed to the environment and are for illustrative purposes only and form no part of the claimed design.

**1 Claim, 7 Drawing Sheets**



(56)

References Cited

U.S. PATENT DOCUMENTS

D458,125 S \* 6/2002 Tachikawa ..... D9/415  
 D495,246 S \* 8/2004 Tomassetti ..... D9/415  
 D496,267 S \* 9/2004 Tomassetti ..... D9/415  
 D516,419 S \* 3/2006 Kellar ..... D9/415  
 D543,866 S \* 6/2007 Mikkelsen ..... D9/732  
 D554,492 S \* 11/2007 Bochmann ..... D9/415  
 D595,126 S \* 6/2009 Marcinkowski ..... D9/418  
 D623,935 S \* 9/2010 Kim ..... D9/415  
 D625,181 S \* 10/2010 Jefferies ..... D9/425  
 D627,239 S \* 11/2010 Bontorno ..... D9/732  
 D633,380 S \* 3/2011 Reynolds ..... D9/415  
 D649,886 S 12/2011 Ocampo  
 D659,022 S \* 5/2012 Kemner ..... D9/732  
 D684,045 S \* 6/2013 Frees ..... D9/424  
 D697,398 S \* 1/2014 Guevara-Ludt ..... D9/415  
 D707,119 S \* 6/2014 Nguyen ..... D9/424  
 D707,135 S \* 6/2014 Sennett ..... D9/748  
 D713,717 S \* 9/2014 Liu ..... D9/424  
 D715,139 S 10/2014 Marcinkowski  
 D754,547 S \* 4/2016 Psimadas ..... D9/748  
 D767,985 S \* 10/2016 Schouten ..... D9/414  
 D767,987 S \* 10/2016 Wu ..... D9/415  
 D774,249 S \* 12/2016 McLenithan ..... D28/8.1  
 D781,140 S \* 3/2017 Hubner ..... D9/415  
 D781,696 S \* 3/2017 Hubner ..... D9/415  
 D781,697 S \* 3/2017 Hubner ..... D9/415  
 D790,987 S \* 7/2017 Damon ..... D28/46

D808,823 S \* 1/2018 Greene ..... D9/748  
 D810,558 S \* 2/2018 Yuan ..... D9/424  
 D810,559 S \* 2/2018 Yuan ..... D9/424  
 D810,560 S \* 2/2018 Yuan ..... D9/424  
 D814,292 S \* 4/2018 Yuan ..... D9/424  
 D816,483 S \* 5/2018 Su ..... D9/424  
 D816,484 S \* 5/2018 Su ..... D9/424  
 D816,485 S \* 5/2018 Su ..... D9/424  
 D816,486 S \* 5/2018 Su ..... D9/424  
 D816,487 S \* 5/2018 Su ..... D9/424  
 D818,818 S \* 5/2018 Debnath ..... D9/415  
 D818,821 S \* 5/2018 Su ..... D9/424  
 D820,674 S \* 6/2018 Yuan ..... D9/424  
 D825,324 S \* 8/2018 Cavalcante ..... D9/415  
 D841,459 S \* 2/2019 Toledo ..... D9/425  
 D841,460 S \* 2/2019 Toledo ..... D9/425  
 D841,461 S \* 2/2019 Toledo ..... D9/425  
 D854,408 S \* 7/2019 Farrell ..... D9/415  
 D871,205 S \* 12/2019 Farrell ..... D9/415  
 2005/0092644 A1 \* 5/2005 Cafferata ..... A47F 1/126  
 206/471  
 2006/0278551 A1 \* 12/2006 Bianchini ..... B65D 75/22  
 206/463  
 2013/0319896 A1 \* 12/2013 Corbat ..... B65D 75/322  
 206/470  
 2016/0101919 A1 \* 4/2016 Zacherle ..... B65D 73/0092  
 206/461  
 2017/0367457 A1 \* 12/2017 Greene ..... A45D 27/225

\* cited by examiner

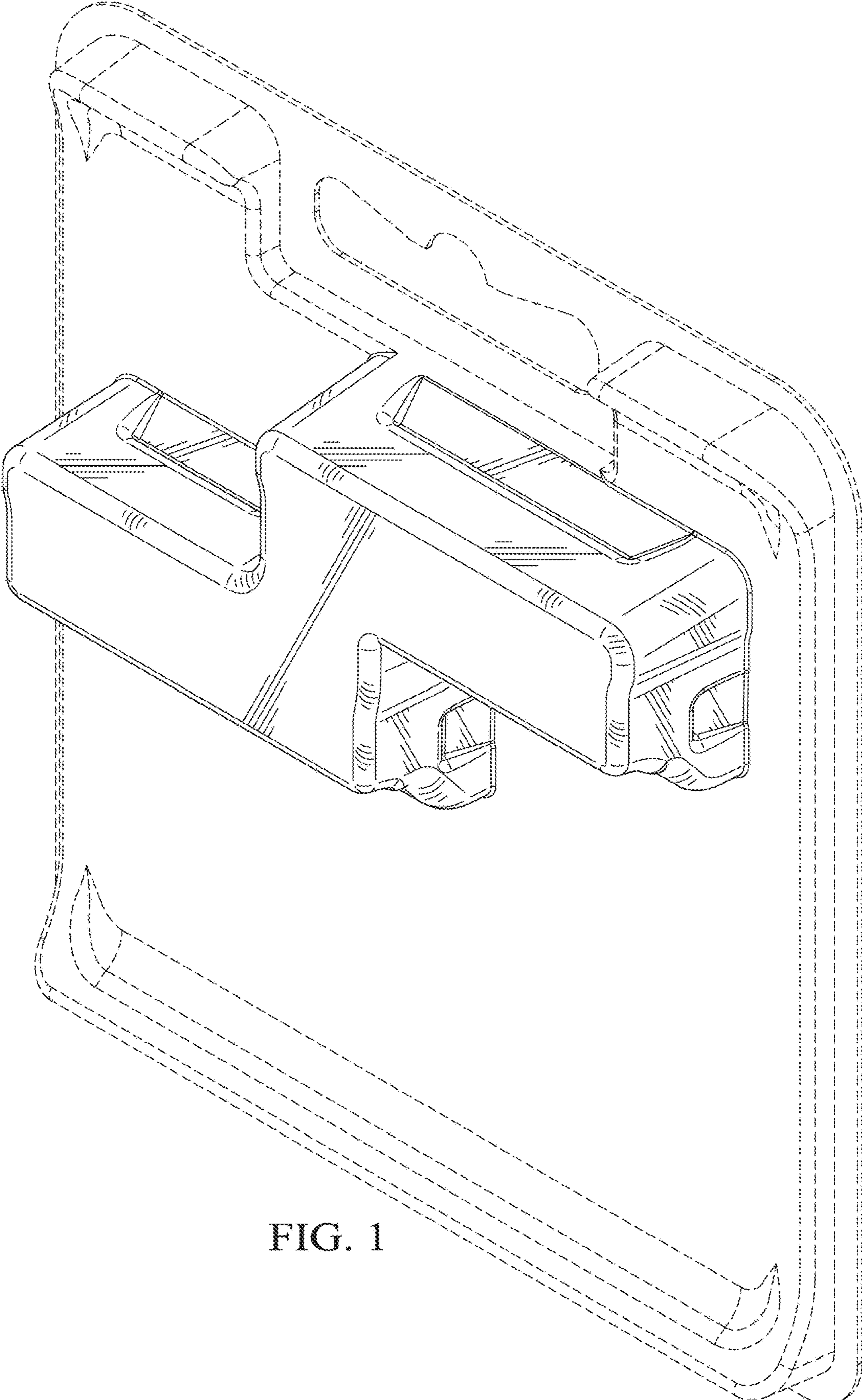


FIG. 1

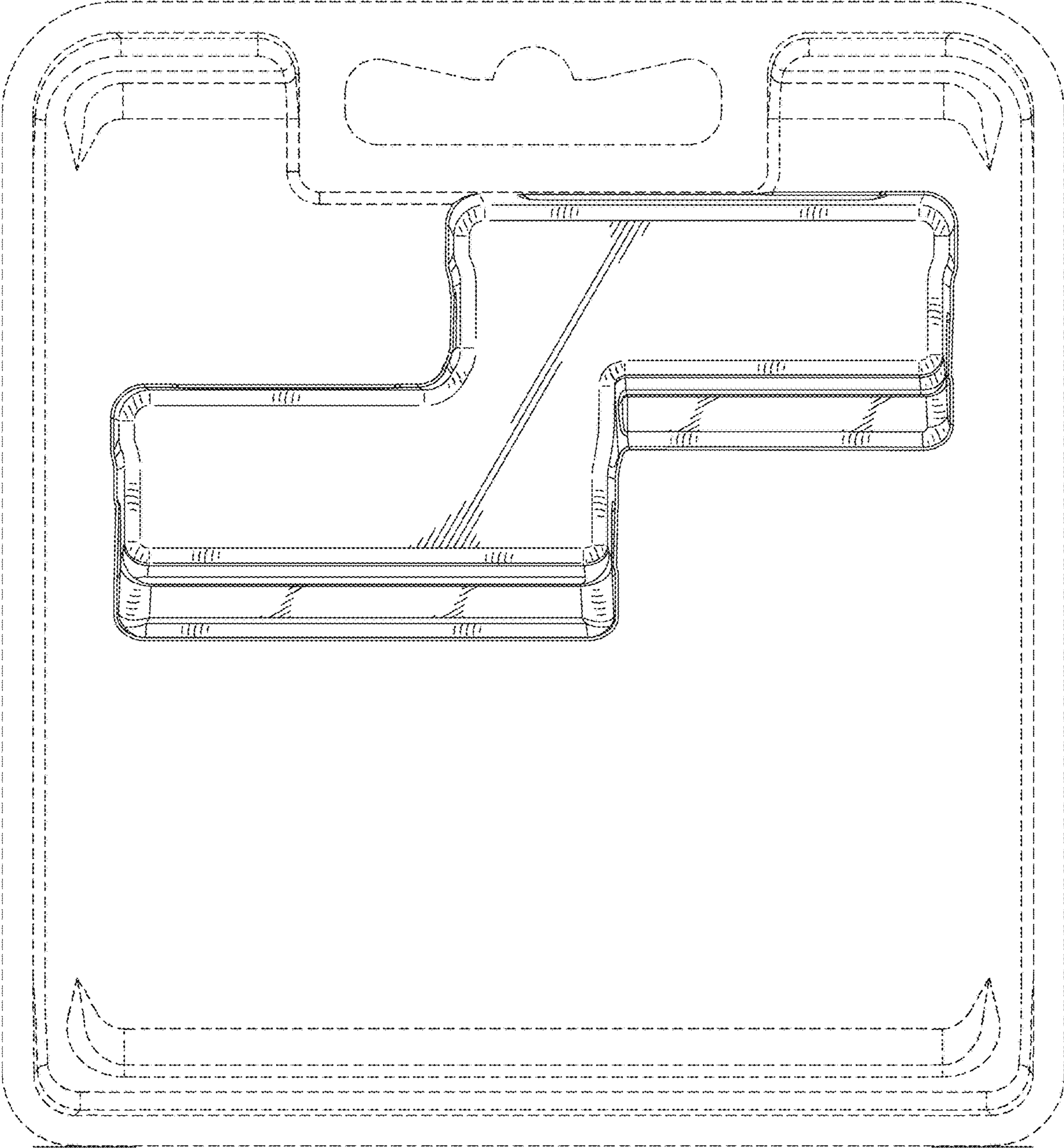


FIG. 2

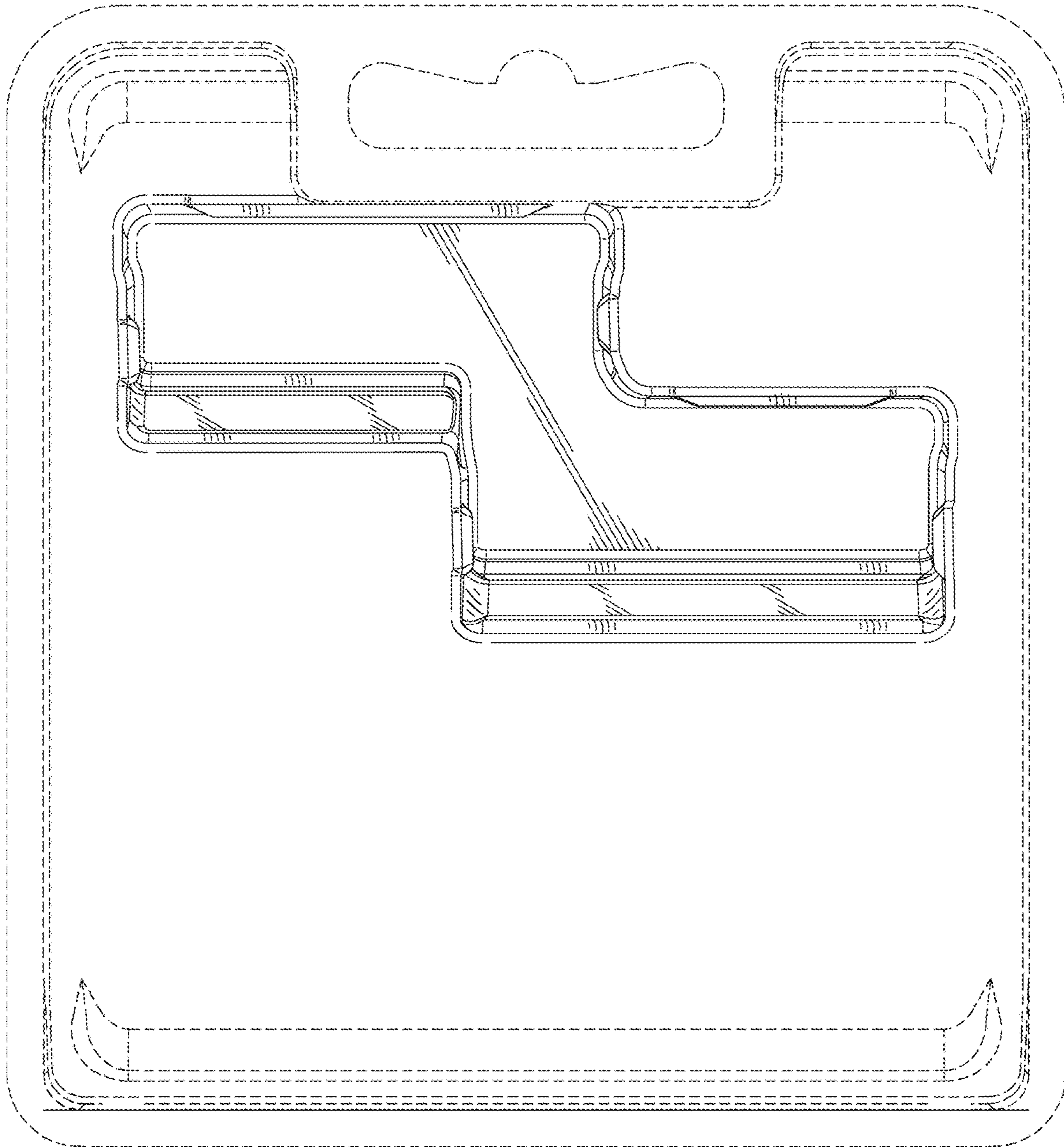


FIG. 3

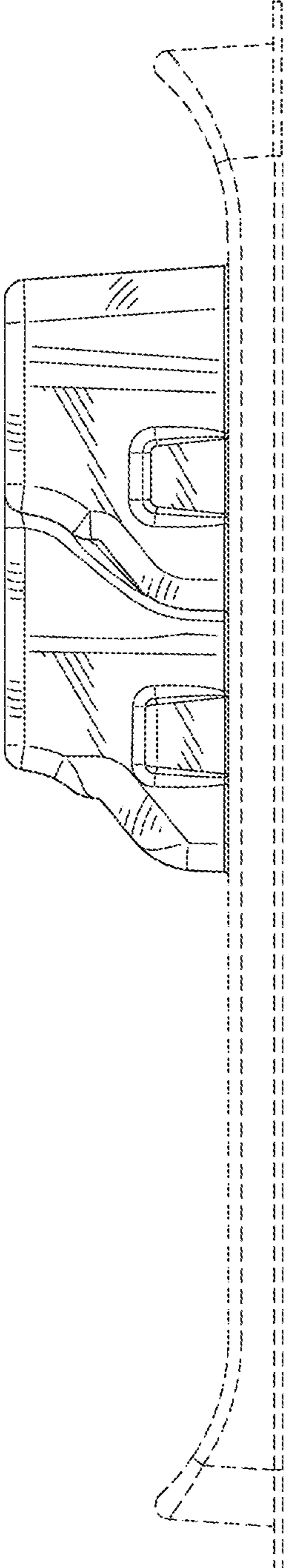


FIG. 4

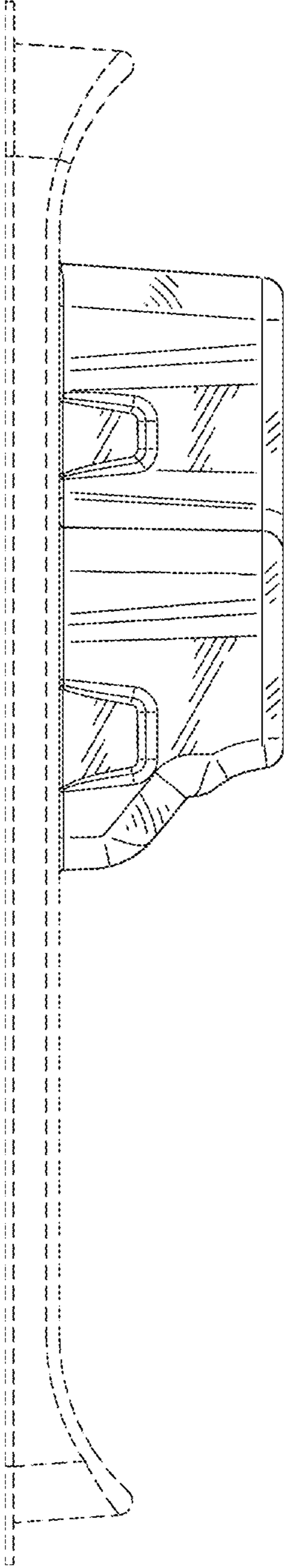


FIG. 5

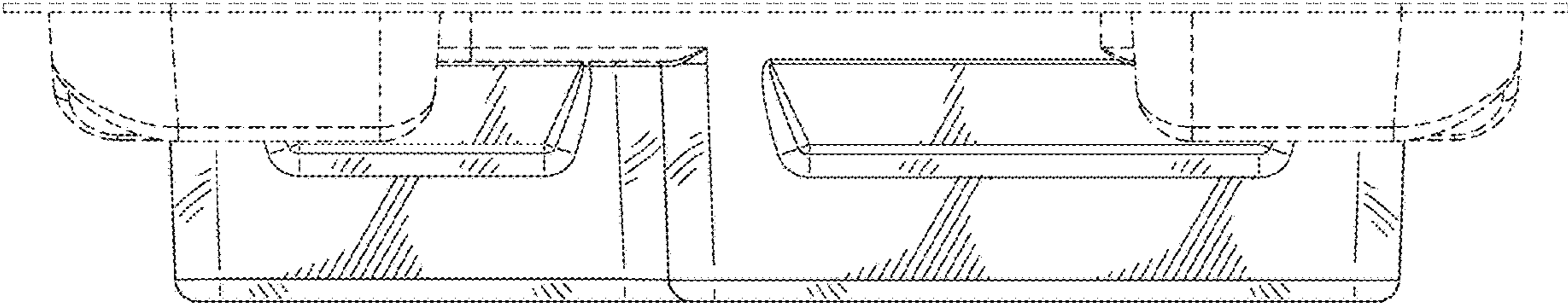


FIG. 6

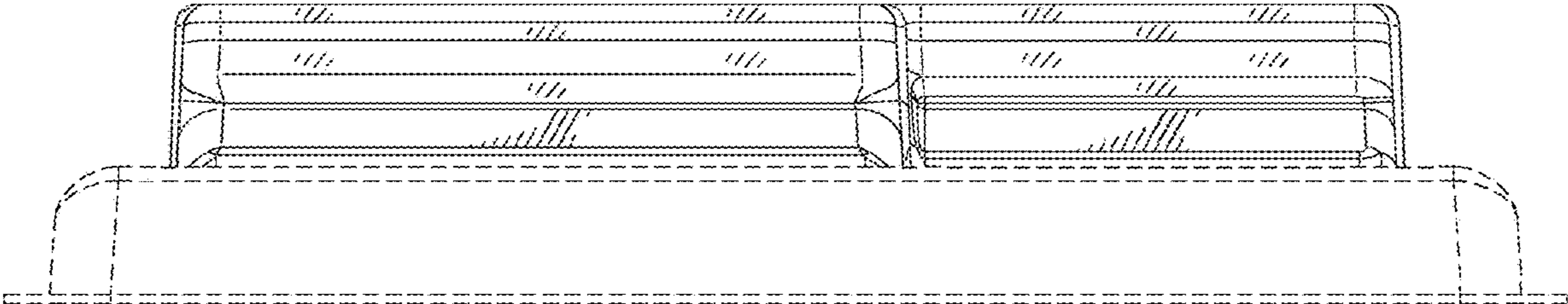


FIG. 7

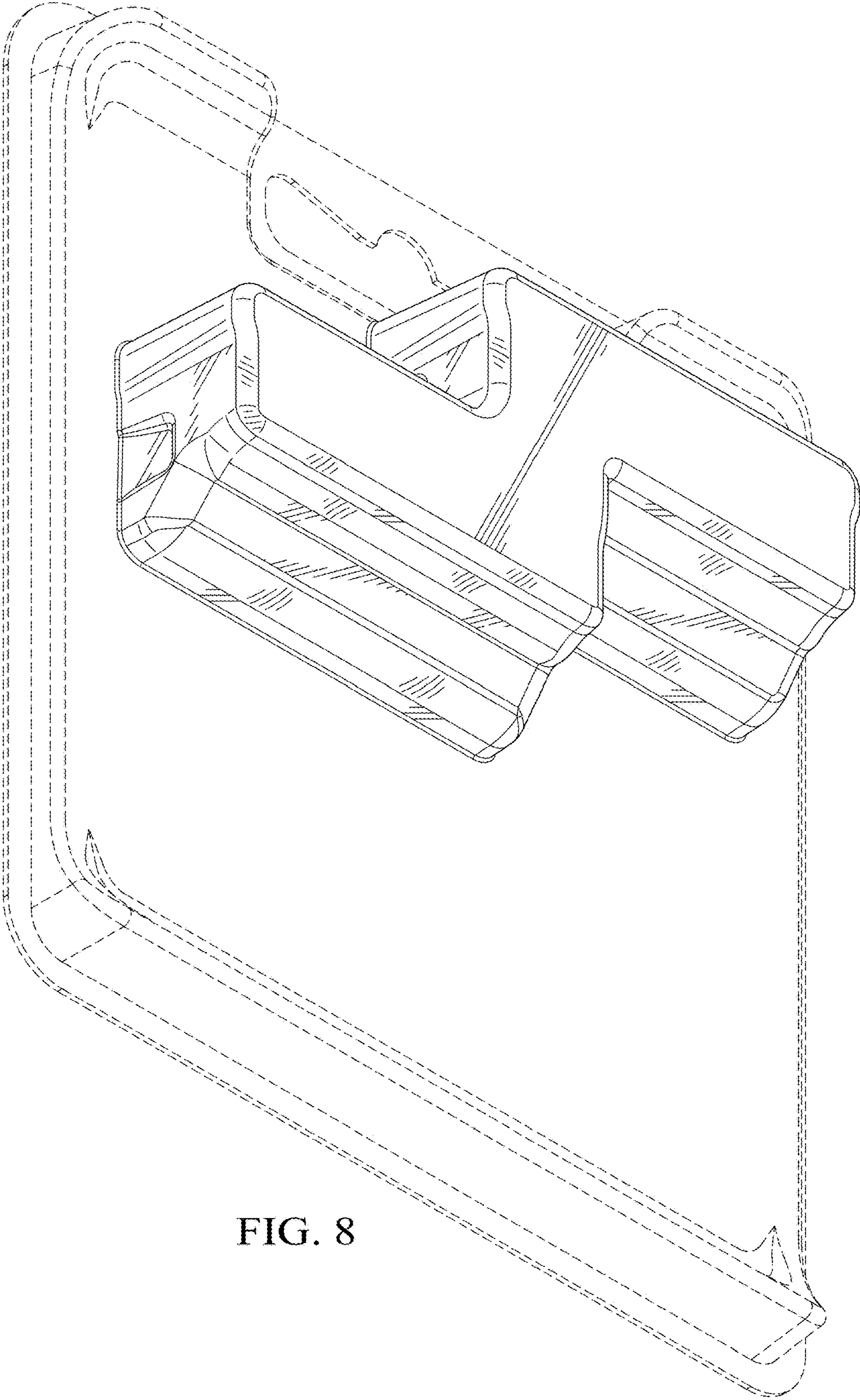


FIG. 8



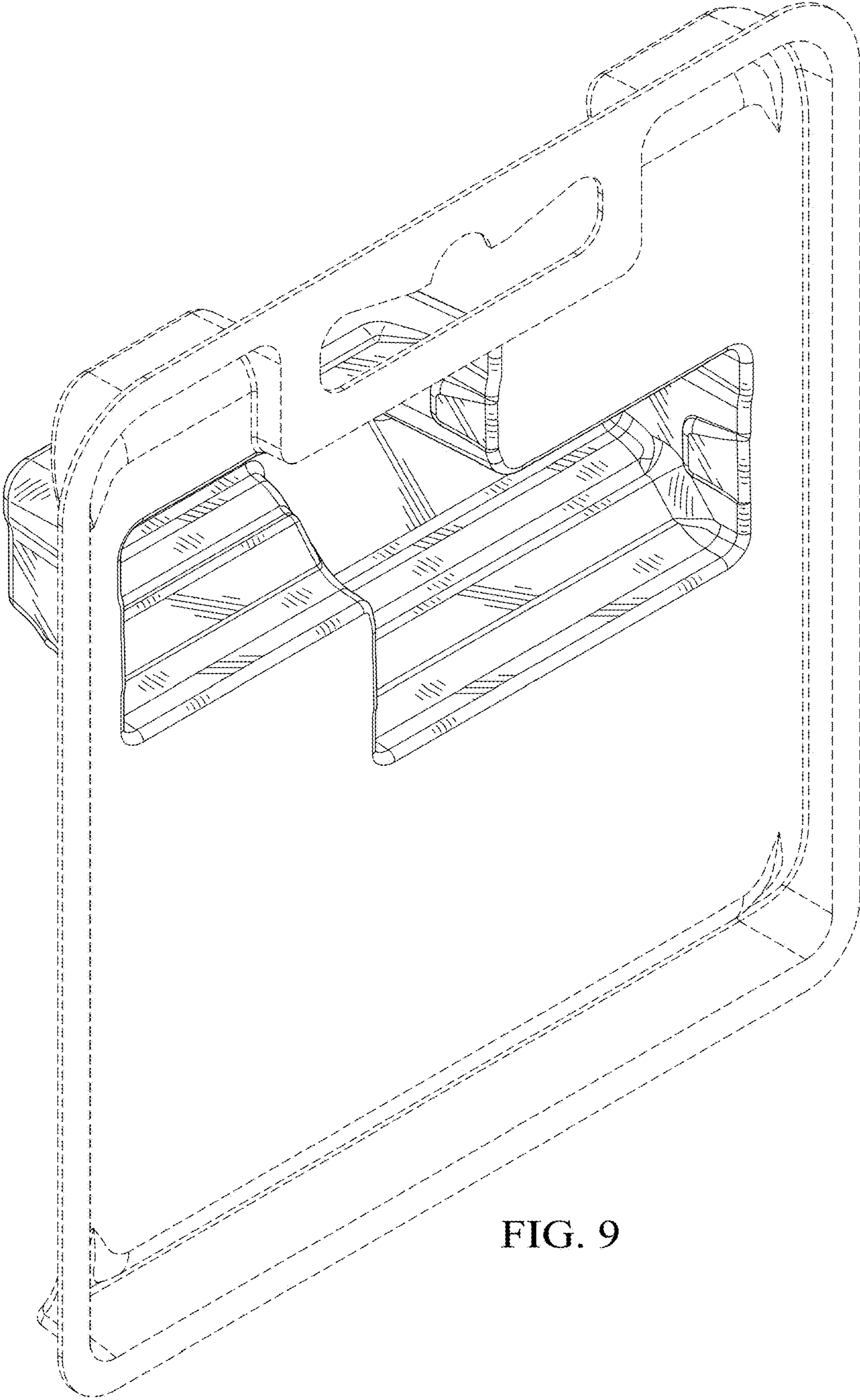


FIG. 9