



US00D887280S

(12) **United States Design Patent**
Pitts

(10) **Patent No.:** **US D887,280 S**
(45) **Date of Patent:** **** Jun. 16, 2020**

(54) **PACKET WITH INTEGRAL CONNECTOR
TAB**

(71) Applicant: **AGS COMPANY AUTOMOTIVE
SOLUTIONS, LLC**, Muskegon, MI
(US)

(72) Inventor: **Logan D. Pitts**, North Muskegon, MI
(US)

(73) Assignee: **AGS COMPANY AUTOMOTIVE
SOLUTIONS, LLC**, Muskegon, MI
(US)

(**) Term: **15 Years**

(21) Appl. No.: **29/648,322**

(22) Filed: **May 21, 2018**

CPC B65D 35/00; B65D 35/08; B65D 85/72;
B65D 75/00; B65D 75/58; B65D
75/5085; B65D 65/00; B65D 65/10;
B65D 65/38; B65D 81/00; B65D 81/24
See application file for complete search history.

(56) **References Cited**

U.S. PATENT DOCUMENTS

5,697,177 A 12/1997 Ludlow et al.
6,305,329 B1 12/2001 Levy, Jr.
6,658,813 B2 12/2003 Clay
(Continued)

Primary Examiner — Abraham Bahta

(74) *Attorney, Agent, or Firm* — Honigman LLP

Related U.S. Application Data

(62) Division of application No. 29/578,223, filed on Sep.
20, 2016, now Pat. No. Des. 818,372, which is a
division of application No. 29/521,285, filed on Mar.
23, 2015, now Pat. No. Des. 768,006.

(51) **LOC (12) Cl.** **09-05**

(52) **U.S. Cl.**
USPC **D9/702**

(58) **Field of Classification Search**

USPC D9/702-714, 720-722, 414, 434-435,
D9/696, 716, 771, 447, 522, 571-575,
D9/682, 738-747, 516-517, 529-530,
D9/547-549, 569, 537-538, 544,
D9/503-505, 545, 440, 444; 383/6, 9,
383/22, 96, 61.1, 80-81, 104, 901, 63,
383/203, 107, 119, 120, 123, 108, 904,
383/906-907; D24/118, 207; 222/107,
222/92, 206; 604/408, 410, 403;
220/495.03, 669, 675; 215/381-385,
215/12.1; D3/202, 303, 232, 244

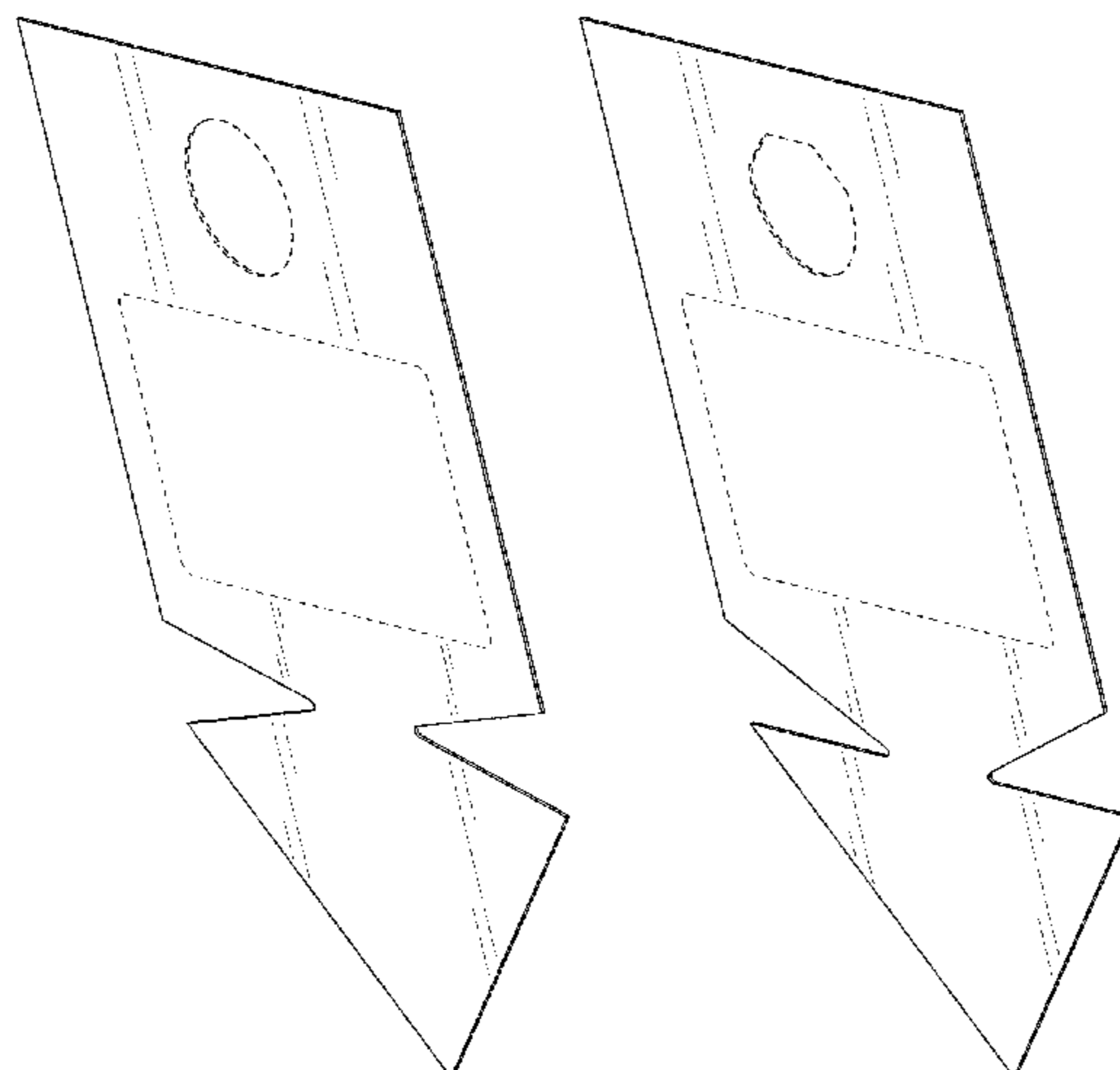
(57) **CLAIM**

The ornamental design for a packet with integral connector
tab, as shown and described.

DESCRIPTION

FIG. 1 is a perspective view of the packet with integral
connector tab showing my new design;
FIG. 2 is a front view thereof;
FIG. 3 is a rear view thereof;
FIG. 4 is a side view thereof;
FIG. 5 is an opposite side view thereof;
FIG. 6 is a top view thereof;
FIG. 7 is a bottom view thereof;
FIG. 8 is a perspective view of the second embodiment of
the packet with integral connector tab;
FIG. 9 is a front view thereof;
FIG. 10 is a rear view thereof;
FIG. 11 is a side view thereof;
FIG. 12 is an opposite side view thereof;
FIG. 13 is a top view thereof; and,
FIG. 14 is a bottom view thereof.

(Continued)



The broken line showing of portions of the packet with integral connector tab is included for the purpose of illustrating environmental structure and forms no part of the claimed design.

1 Claim, 10 Drawing Sheets

(56)

References Cited

U.S. PATENT DOCUMENTS

6,679,029	B2	1/2004	Clay	
6,695,364	B2	2/2004	Bierlin	
6,905,075	B1	6/2005	Rosen	
7,014,041	B1	3/2006	Rosen et al.	
7,241,066	B1	7/2007	Rosen	
D573,037	S	7/2008	Murray	
D584,168	S *	1/2009	Murray D9/710
D606,882	S	12/2009	Sharp	
D632,565	S	2/2011	Caldwell	
D632,567	S	2/2011	Caldwell	
D640,565	S	6/2011	Tsuruta	
D667,312	S	9/2012	Risgalla	
D670,573	S	11/2012	McDermott	
8,376,183	B1	2/2013	Rosen	
D698,663	S	2/2014	Lin	
D744,352	S	12/2015	Quarles	
D744,853	S	12/2015	Murray	
D768,006	S	10/2016	Pitts	
D818,372	S	5/2018	Pitts	
D821,868	S *	7/2018	Fetisenkov D9/424
2003/0213707	A1	11/2003	Clay	
2005/0188652	A1	9/2005	Davolio et al.	
2006/0169604	A1	8/2006	Clay	

* cited by examiner

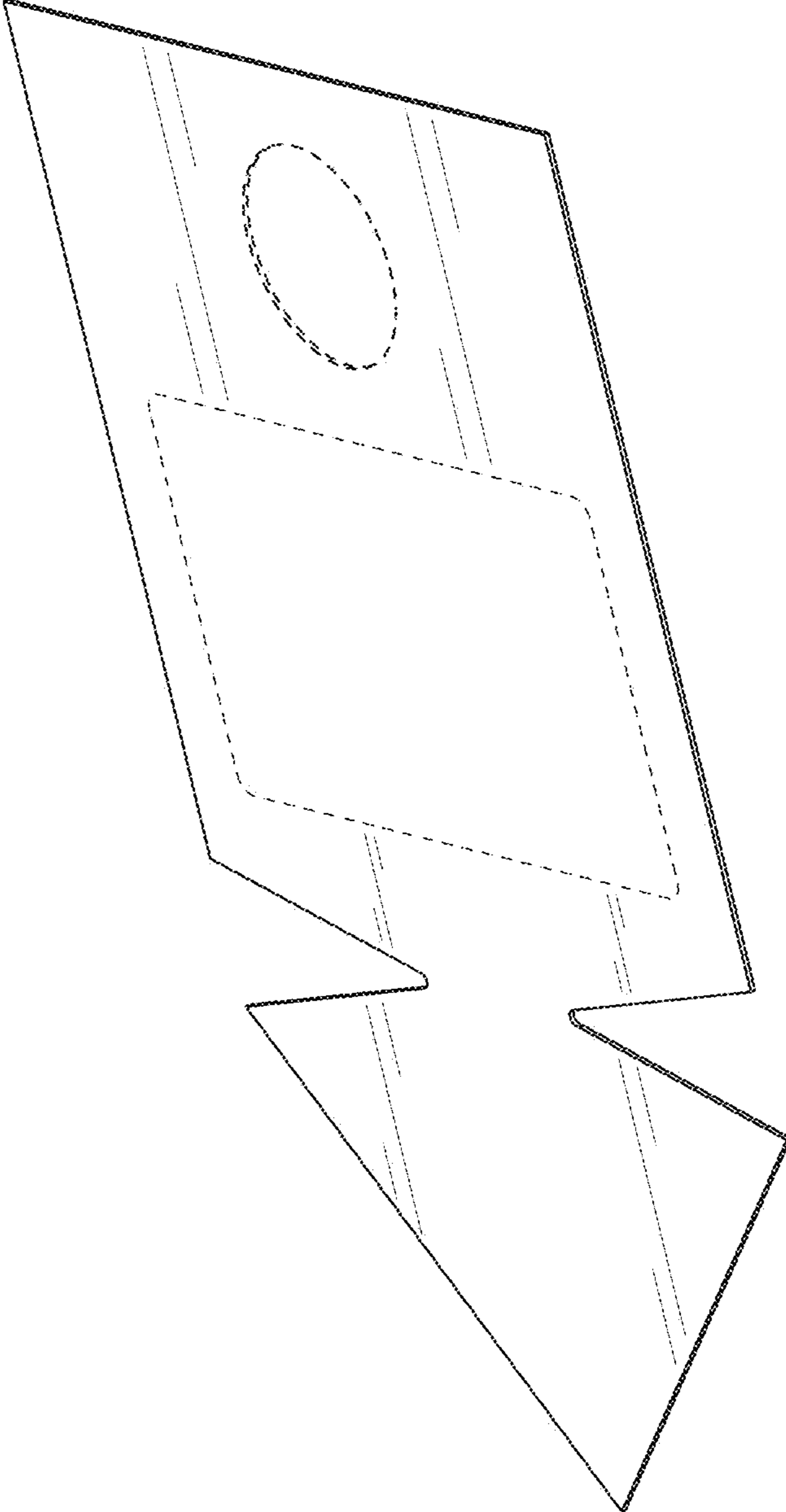


FIG. 1

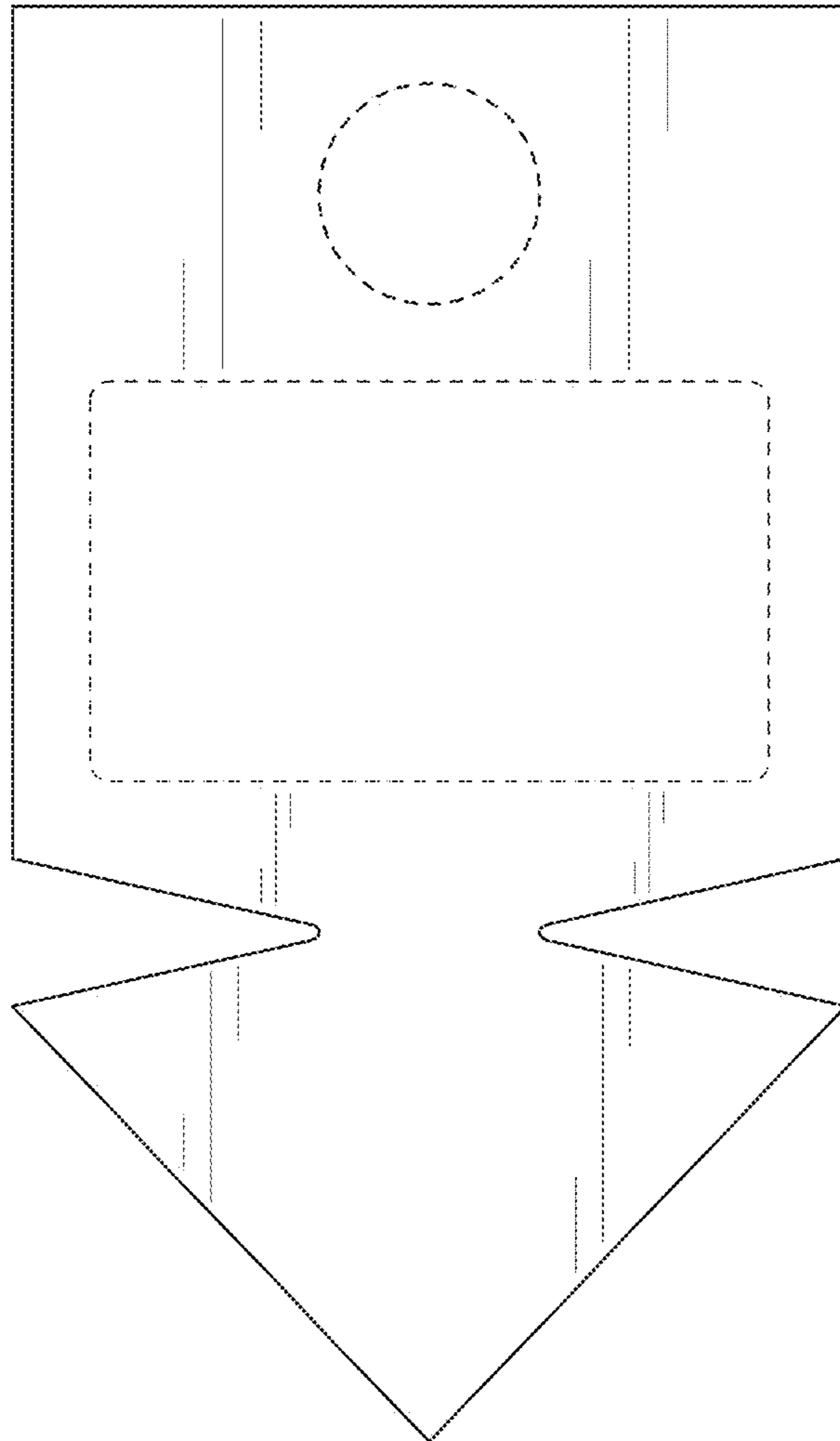


FIG. 2

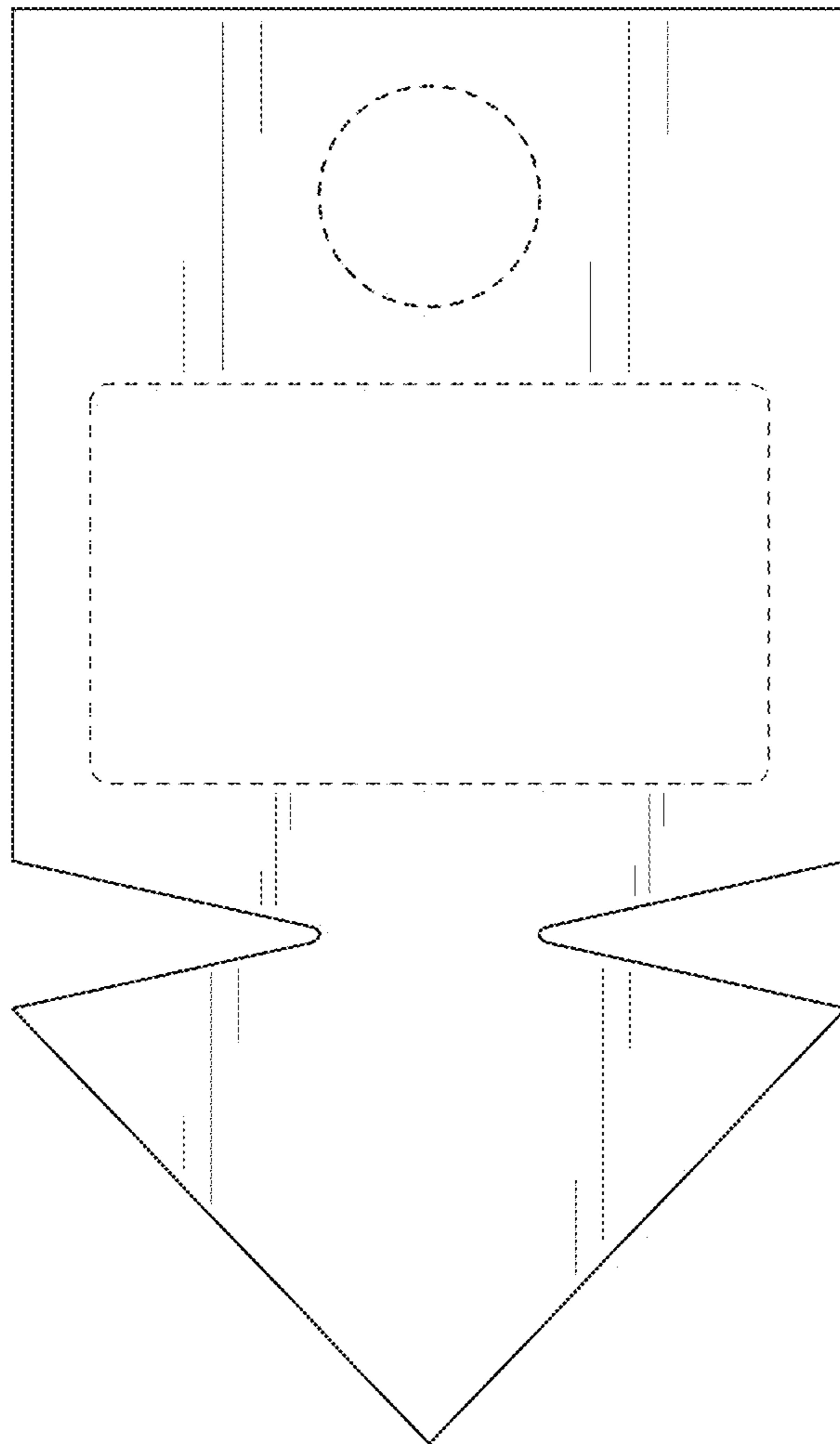


FIG. 3



FIG. 4

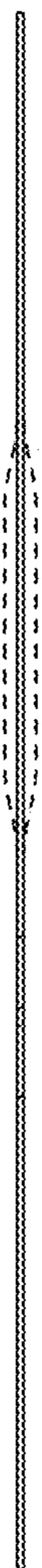


FIG. 5

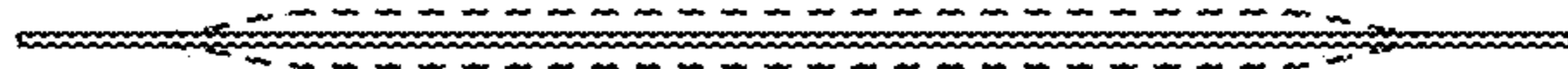


FIG. 6

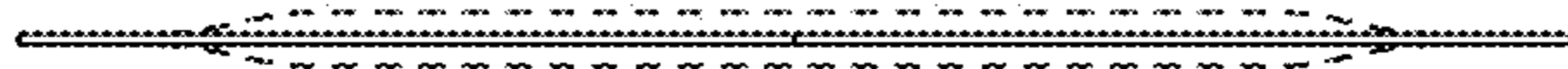


FIG. 7

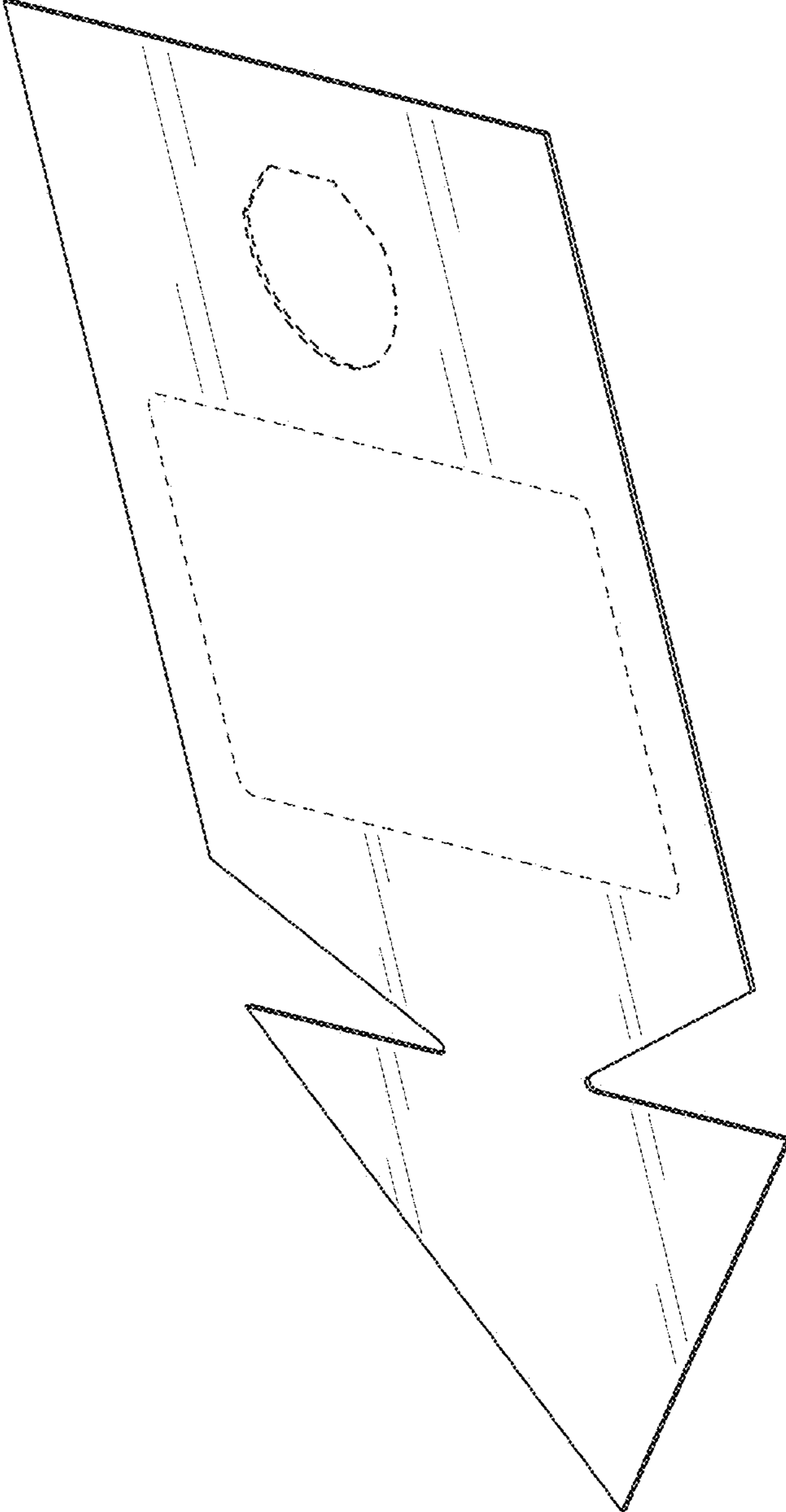


FIG. 8

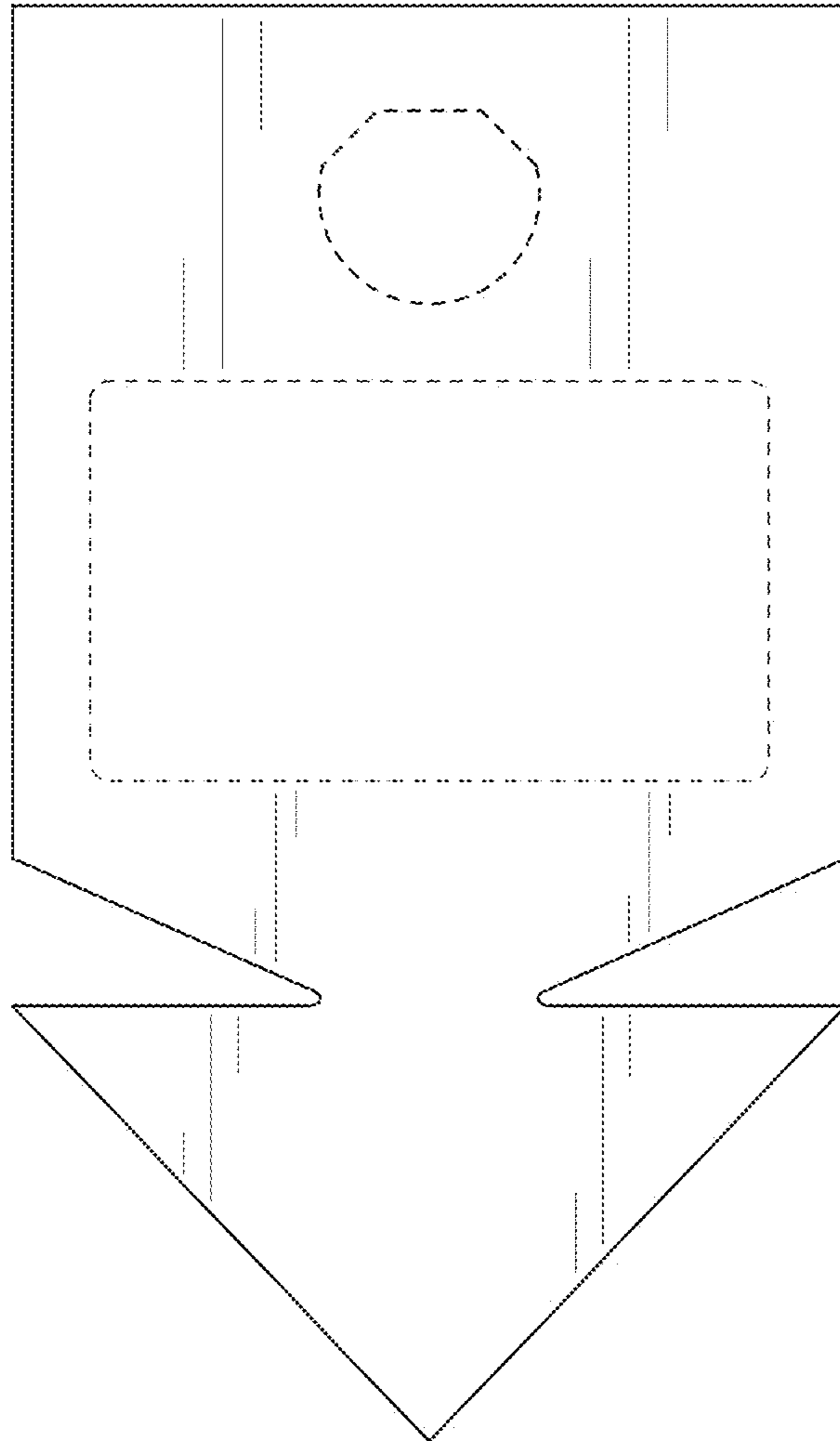


FIG. 9

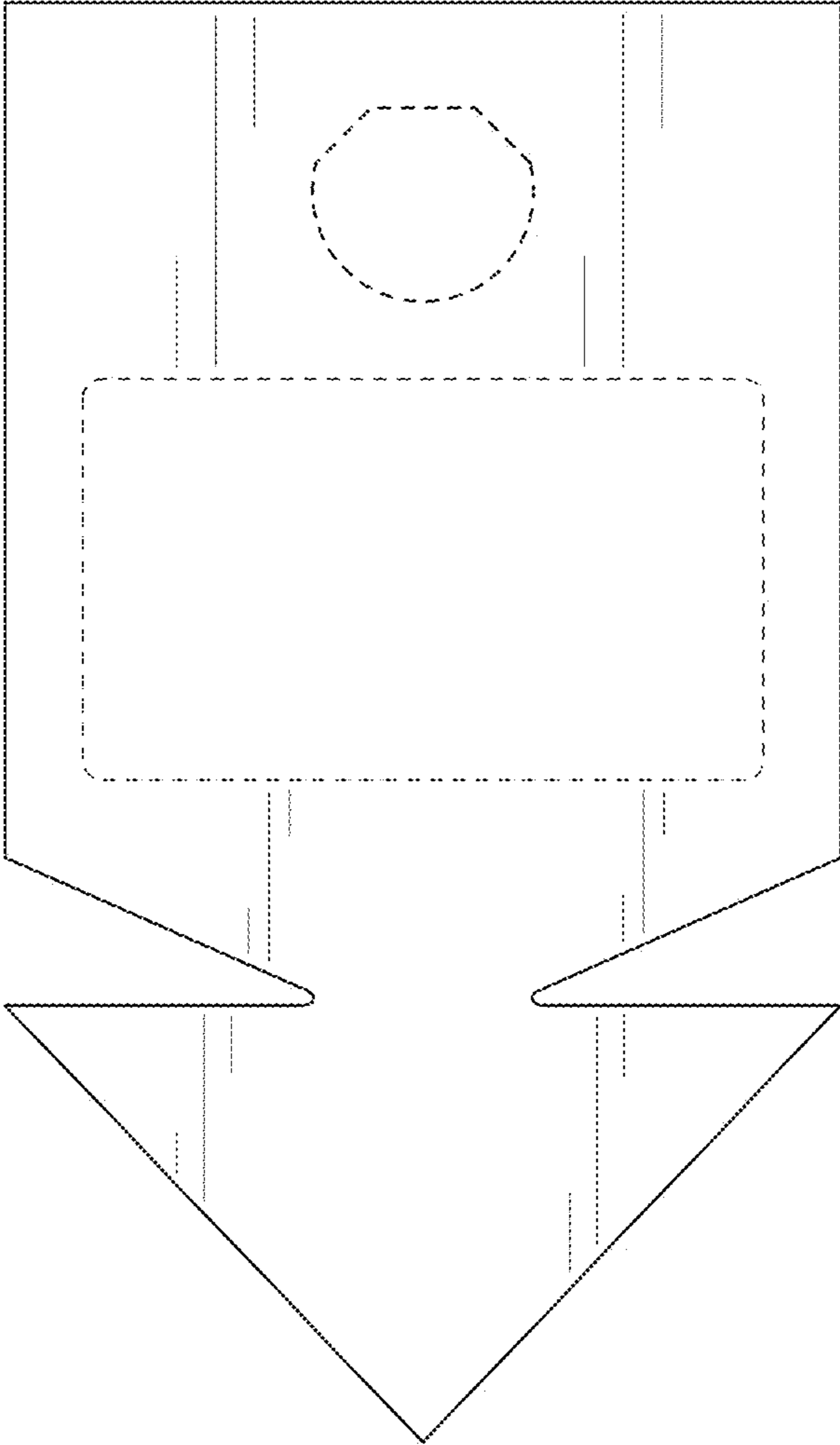


FIG. 10



FIG. 11



FIG. 12

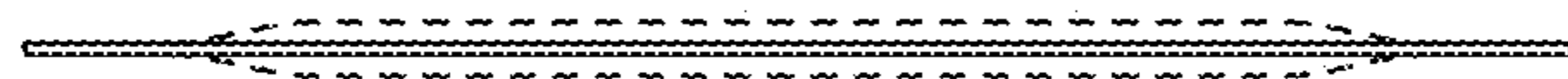


FIG. 13

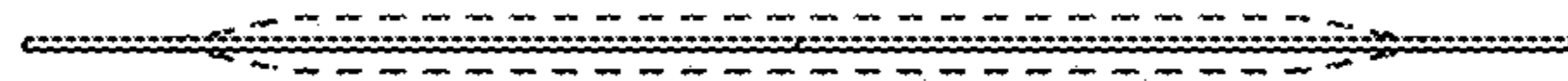


FIG. 14