



US00D887279S

(12) **United States Design Patent** (10) **Patent No.:** **US D887,279 S**
Albano et al. (45) **Date of Patent:** **** *Jun. 16, 2020**

(54) **FLASK WITH CAP**
(71) Applicant: **Natura Cosméticos S.A.**, Itapeverica da Serra (BR)
(72) Inventors: **Fulvio Gargano Albano**, Cajamar (BR); **Tomás Miller Tavares De Macedo**, São Paulo (BR); **Fernanda Saboia Salles**, São Paulo (BR); **Juliana Ahualli Pires Morgado**, Cajamar (BR)

A45D 34/00; A45D 34/02; A45D 34/04; A45D 2034/005; A45D 2034/007; A45D 2200/05; A45D 2200/051; A45D 2200/054; A45D 2200/055; A45D 2200/056; A45D 2200/057; A45D 40/0068; A45D 40/0075; A45D 40/00; A45D 40/02; A45D 40/04; A45D 40/06; A45D 40/205; A45D 40/24;

(Continued)

(73) Assignee: **NATURA COSMÉTICOS S.A.**, São Paulo (BR)

(56) **References Cited**

U.S. PATENT DOCUMENTS

(*) Notice: This patent is subject to a terminal disclaimer.

3,161,330 A * 12/1964 Sagarin B65D 83/205
222/402.2
3,494,510 A * 2/1970 Rahn B65D 83/205
222/153.07

(**) Term: **15 Years**

(Continued)

(21) Appl. No.: **29/529,313**

Primary Examiner — Catherine A Tuttle

(22) Filed: **Jun. 5, 2015**

(74) *Attorney, Agent, or Firm* — Alston & Bird LLP

(51) **LOC (12) Cl.** **09-01**

(57) **CLAIM**

(52) **U.S. Cl.**
USPC **D9/691**; D9/686

The ornamental design for an flask with cap, as shown and described.

(58) **Field of Classification Search**

DESCRIPTION

USPC D9/682–694, 500–505, 715, 719, 526, D9/529, 545, 549–558, 562, 435, 436, D9/447–450, 454; D28/76, 77, 88, 89, D28/91, 91.1

CPC B05B 11/0027; B05B 11/0029; B05B 11/0032; B05B 11/0035; B05B 11/0037; B05B 11/0048; B05B 11/0054; B05B 11/30; B05B 11/3001; B05B 11/3008; B05B 11/3021; B05B 11/3023; B05B 11/3025; B05B 11/3047; B05B 11/3049; B05B 11/3052; B05B 11/3053; B05B 11/3059; B05B 11/306; B05B 11/3074; B05B 11/3083; B05B 11/3084; B05B 11/3097; B65D 83/205; B65D 83/206; B65D 83/22; B65D 83/303; B65D 83/386; B65D 83/44; B65D 83/56; B65D 83/68; B65D 83/682; B65D 83/7532;

FIG. 1 is a perspective view taken from the top, front, and left side of the flask with cap showing my new design.

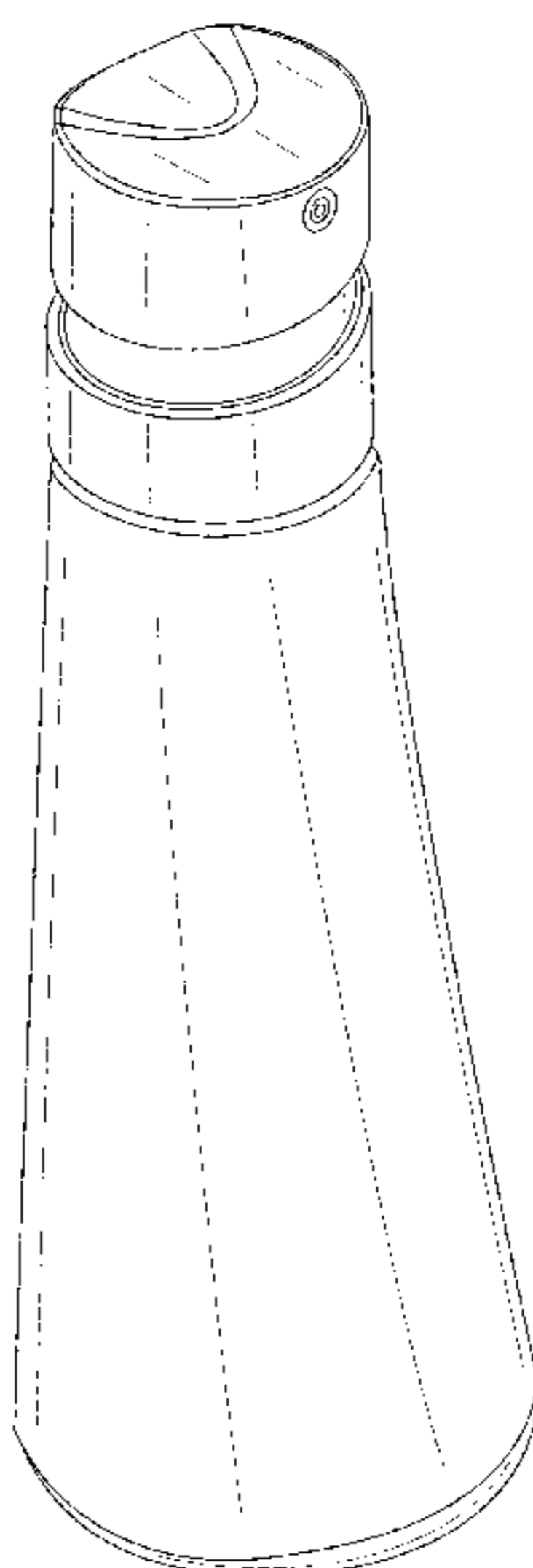
FIG. 2 is a right side elevation view of the flask with cap of FIG. 1, the opposite side being nearly a mirror image thereof.

FIG. 3 is a front elevation view of the flask with cap of FIG. 1.

FIG. 4 is a top plan view of the flask with cap of FIG. 1; and, FIG. 5 is a bottom plan view of the flask with cap of FIG. 1.

The broken lines in FIG. 5 are included for the purpose of illustrating a portion of the flask with cap that forms no part of the claimed design.

1 Claim, 4 Drawing Sheets



(58) **Field of Classification Search**

CPC A45D 40/26; A45D 40/264; A45D 40/265;
A45D 40/267

See application file for complete search history.

(56) **References Cited**

U.S. PATENT DOCUMENTS

D334,705 S * 4/1993 Pereira D9/529
5,363,992 A * 11/1994 Meshberg B05B 1/1645
222/153.13
5,477,985 A * 12/1995 Gueret B05B 11/0024
222/107
D419,719 S * 1/2000 Garcia D28/7
D463,735 S * 10/2002 Gobe D9/689
D463,973 S * 10/2002 Gobe D9/689
D493,364 S * 7/2004 Papiernik D9/687
D609,099 S * 2/2010 Oates D9/522
D611,825 S * 3/2010 Usui D9/529
D611,836 S * 3/2010 Mansau D9/522
D675,105 S * 1/2013 Chen D9/688
D710,211 S * 8/2014 Behar D9/688
D716,666 S * 11/2014 Park D9/690
D723,374 S * 3/2015 Rashid D9/435
2008/0000869 A1 * 1/2008 McGuinness A45D 33/18
215/317
2010/0044394 A1 * 2/2010 Milian B05B 11/3007
222/135

* cited by examiner

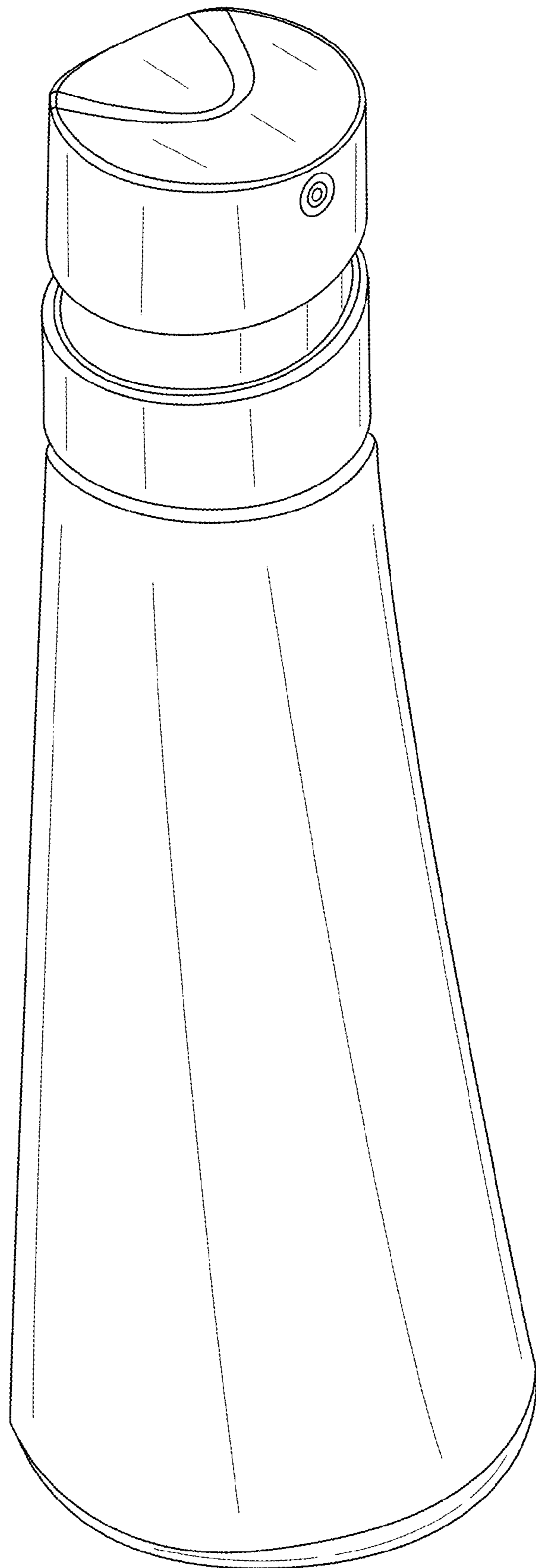


FIG. 1

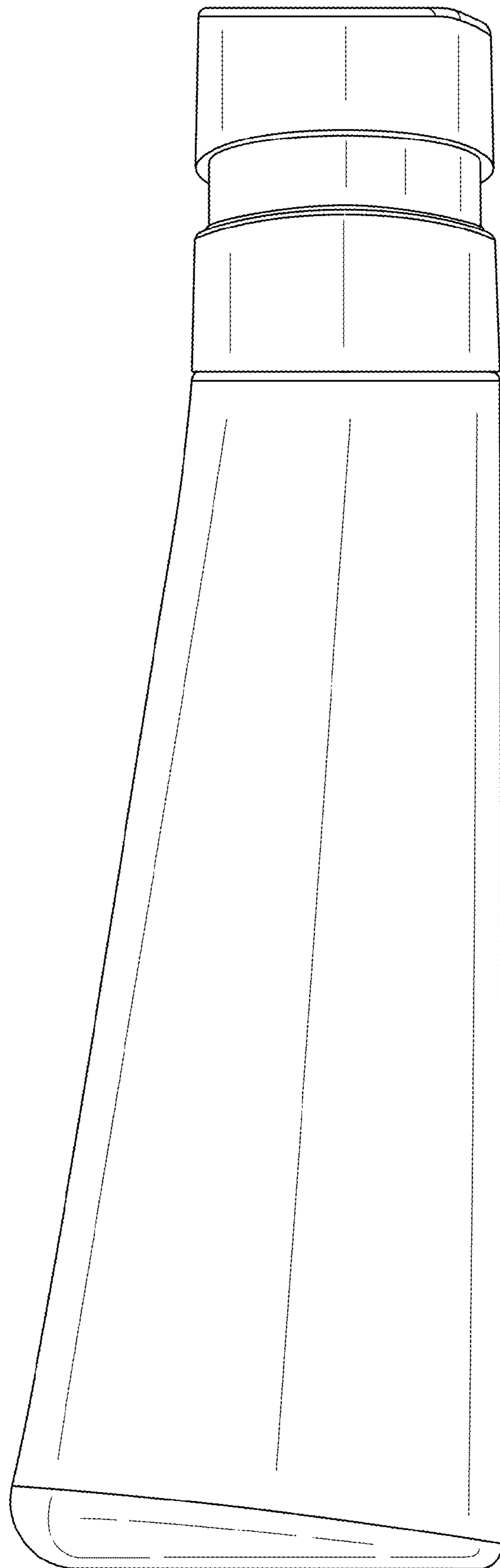


FIG. 2

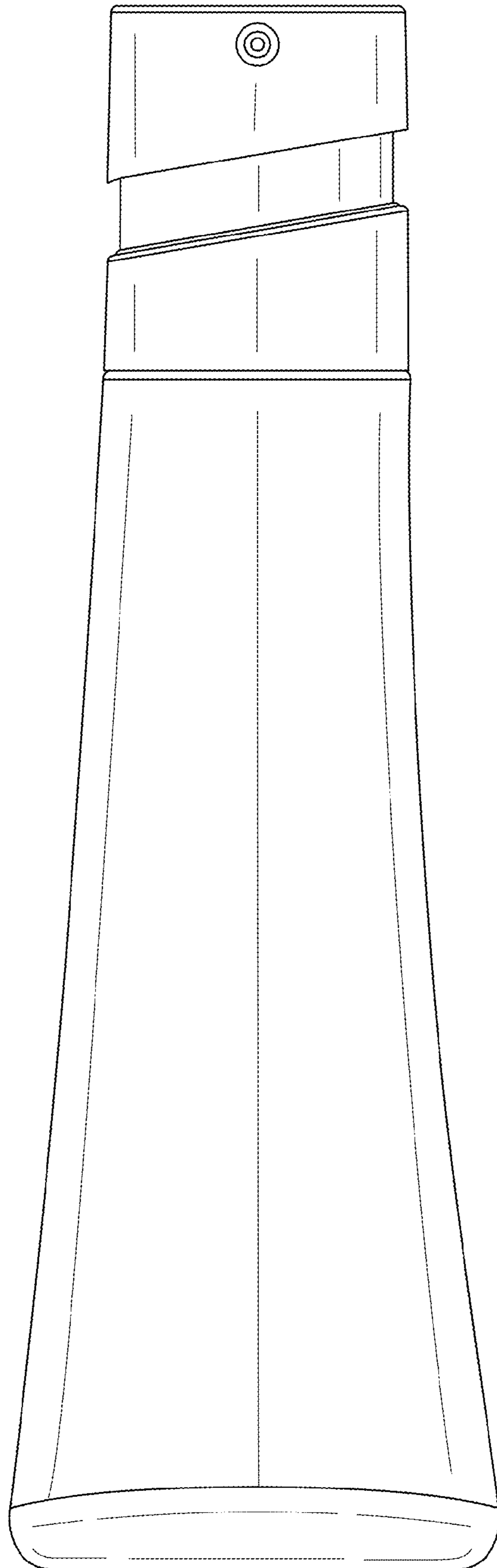


FIG. 3

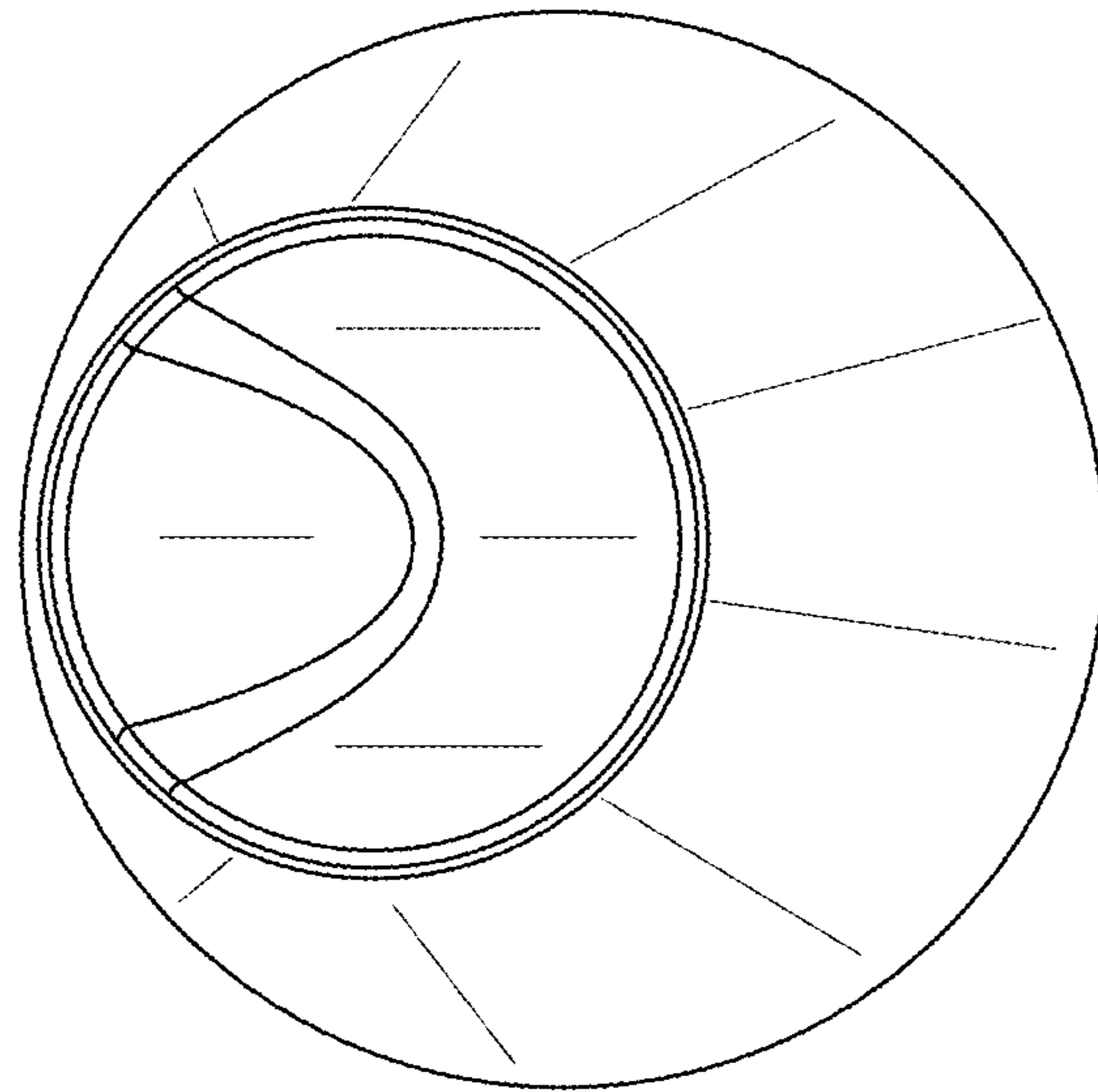


FIG. 4

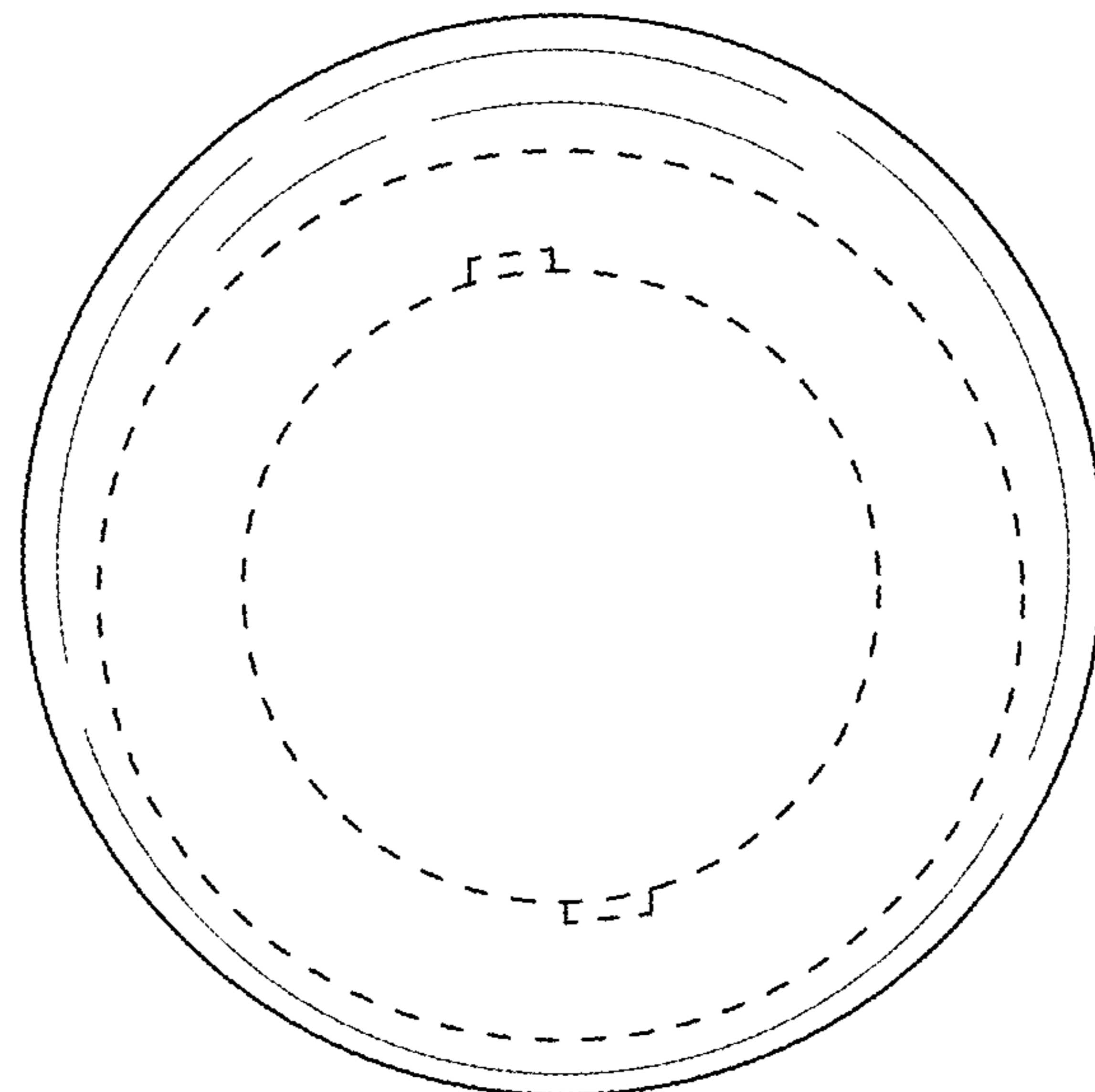


FIG. 5