



US00D887278S

(12) **United States Design Patent**
Lopez et al.

(10) **Patent No.:** **US D887,278 S**
(45) **Date of Patent:** **** Jun. 16, 2020**

- (54) **BOTTLE**
- (71) Applicant: **Hydrapak LLC**, Oakland, CA (US)
- (72) Inventors: **Samuel M. Lopez**, San Francisco, CA (US); **Matthew J. Lyon**, Moraga, CA (US)
- (73) Assignee: **Hydrapak LLC**, Oakland, CA (US)
- (**) Term: **15 Years**
- (21) Appl. No.: **29/714,270**
- (22) Filed: **Nov. 21, 2019**

Related U.S. Application Data

- (62) Division of application No. 29/640,628, filed on Mar. 15, 2018, now Pat. No. Des. 871,225.
- (51) **LOC (12) Cl.** **09-01**
- (52) **U.S. Cl.**
USPC **D9/542; D9/570**
- (58) **Field of Classification Search**
USPC D9/516, 522, 549, 550, 552, 575, 715,
D9/719; D28/91.1; D3/202; D7/300,
D7/523, 598
CPC B65D 2501/0081; B65D 1/02; B65D 1/0223;
B65D 1/40; B65D 41/04; B65D 41/26;
B65D 2501/00; A45F 3/16; A45F
2003/166
See application file for complete search history.

References Cited

U.S. PATENT DOCUMENTS

- D82,824 S 12/1930 Hobe
- D256,885 S * 9/1980 DiScala D9/574
- D259,098 S * 5/1981 Lauren D9/545
- D272,991 S * 3/1984 Thompson D9/529

- D365,278 S * 12/1995 Paglina D9/544
- D375,051 S * 10/1996 Lathrop D9/545
- D386,089 S * 11/1997 Rosen D9/542
- D426,093 S 6/2000 Cayouette
- D439,522 S 3/2001 Blaakman
- D473,140 S 4/2003 Gilliam et al.
- D548,606 S 8/2007 Rica
- D579,340 S * 10/2008 Dickman D9/558
- D587,118 S * 2/2009 Sadiq D9/516
- D589,813 S 4/2009 Rica
- D605,951 S * 12/2009 Ikeda D9/544
- D606,871 S 12/2009 Rica
- D632,178 S 2/2011 Liu
- D642,927 S 8/2011 Foster
- D658,415 S 5/2012 Li
- D691,049 S * 10/2013 Blasko D9/516
- D691,894 S * 10/2013 Marshall D9/545
- D694,637 S 12/2013 Gaydon
- D697,812 S 1/2014 Lin
- D747,653 S 1/2016 Collier
- D762,481 S 8/2016 Zaima et al.
- D801,077 S 10/2017 Stelmarski
- D808,810 S * 1/2018 Rajesh D9/516

(Continued)

Primary Examiner — Shannon W Morgan

Assistant Examiner — Keith Frank

(74) *Attorney, Agent, or Firm* — Levine Bagade Han LLP

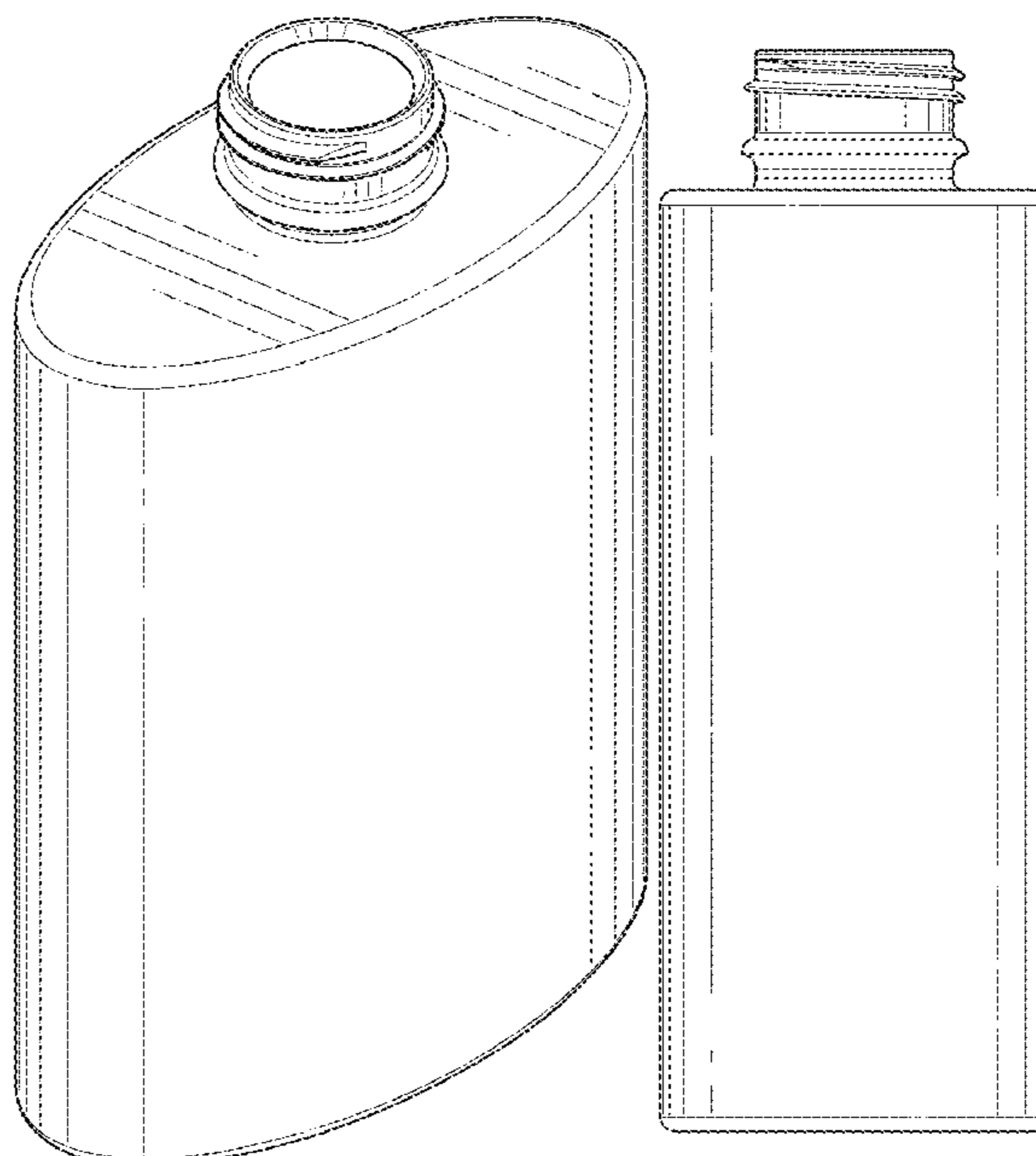
(57) **CLAIM**

The ornamental design for a bottle, as shown and described.

DESCRIPTION

FIG. 1 is an angled top perspective view of a bottle; FIG. 2 is a front view of the bottle shown in FIG. 1; FIG. 3 is a rear view of the bottle shown in FIG. 1; FIG. 4 is a left side view of the bottle shown in FIG. 1; FIG. 5 is a right side view of the bottle shown in FIG. 1; FIG. 6 is a top plan view of the bottle shown in FIG. 1; and, FIG. 7 is a bottom plan view of the bottle shown in FIG. 1.

1 Claim, 7 Drawing Sheets



(56)

References Cited

U.S. PATENT DOCUMENTS

D817,659 S 5/2018 Stelmarski
D832,110 S * 10/2018 Pel D9/550

* cited by examiner

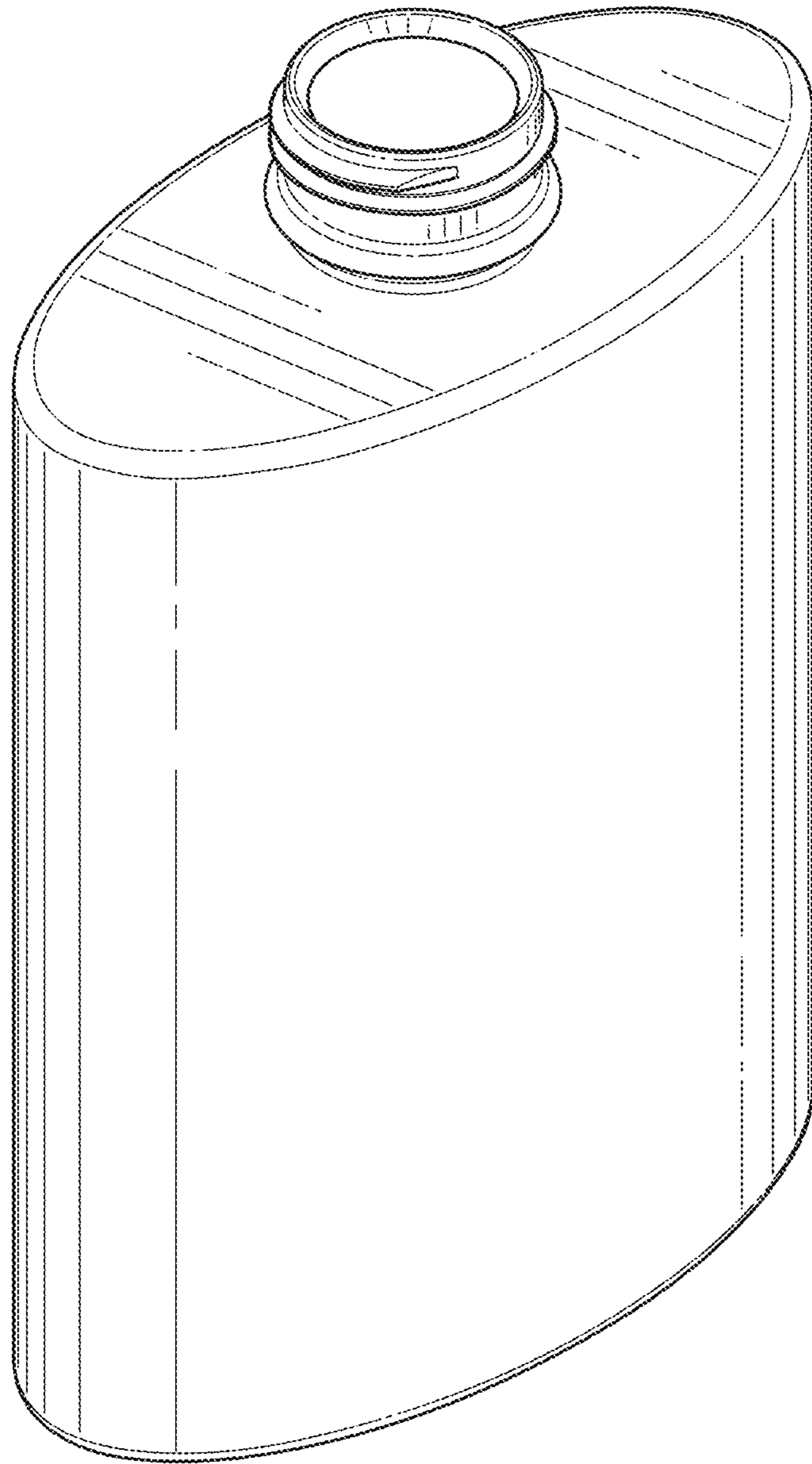


FIG. 1

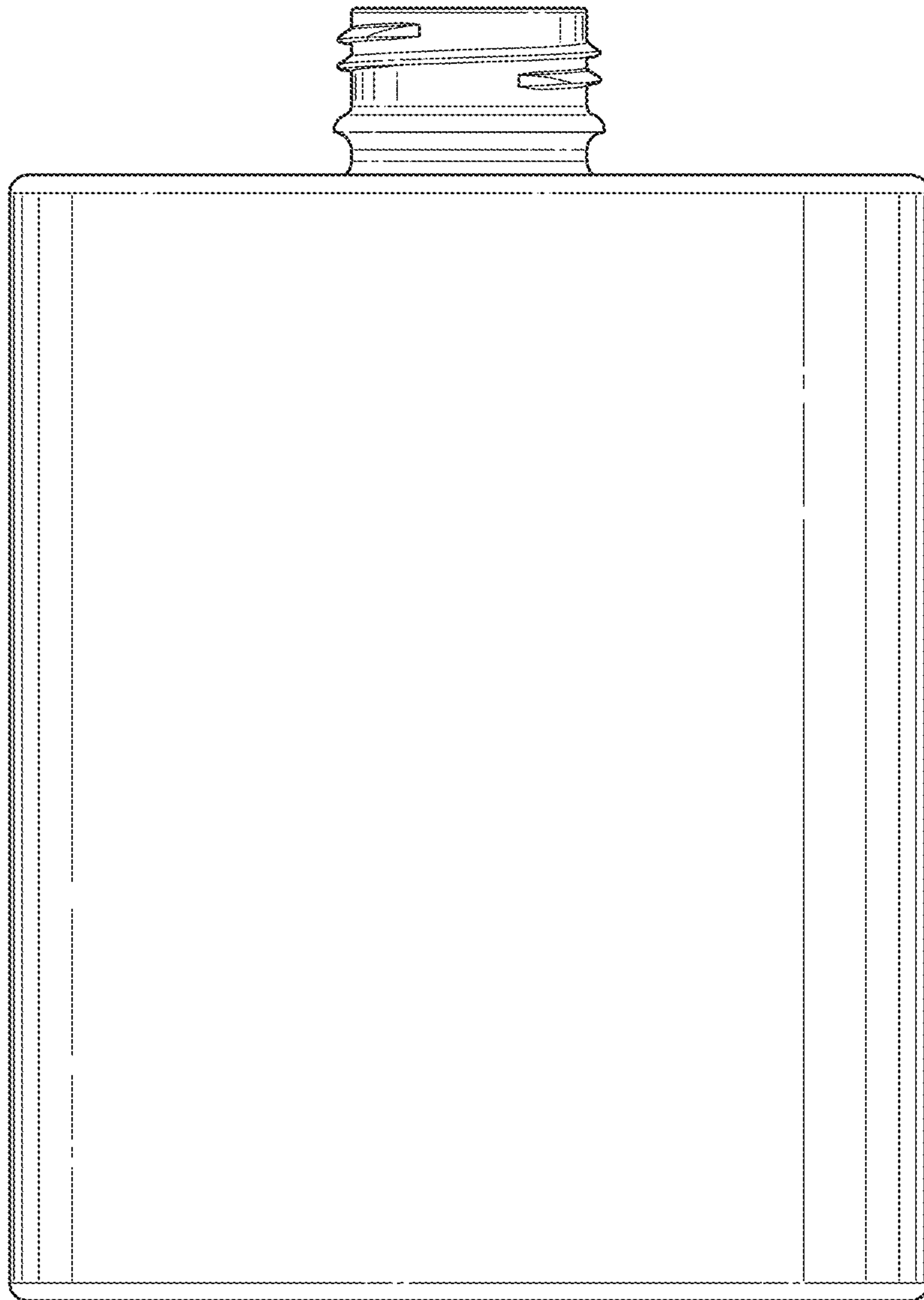


FIG. 2

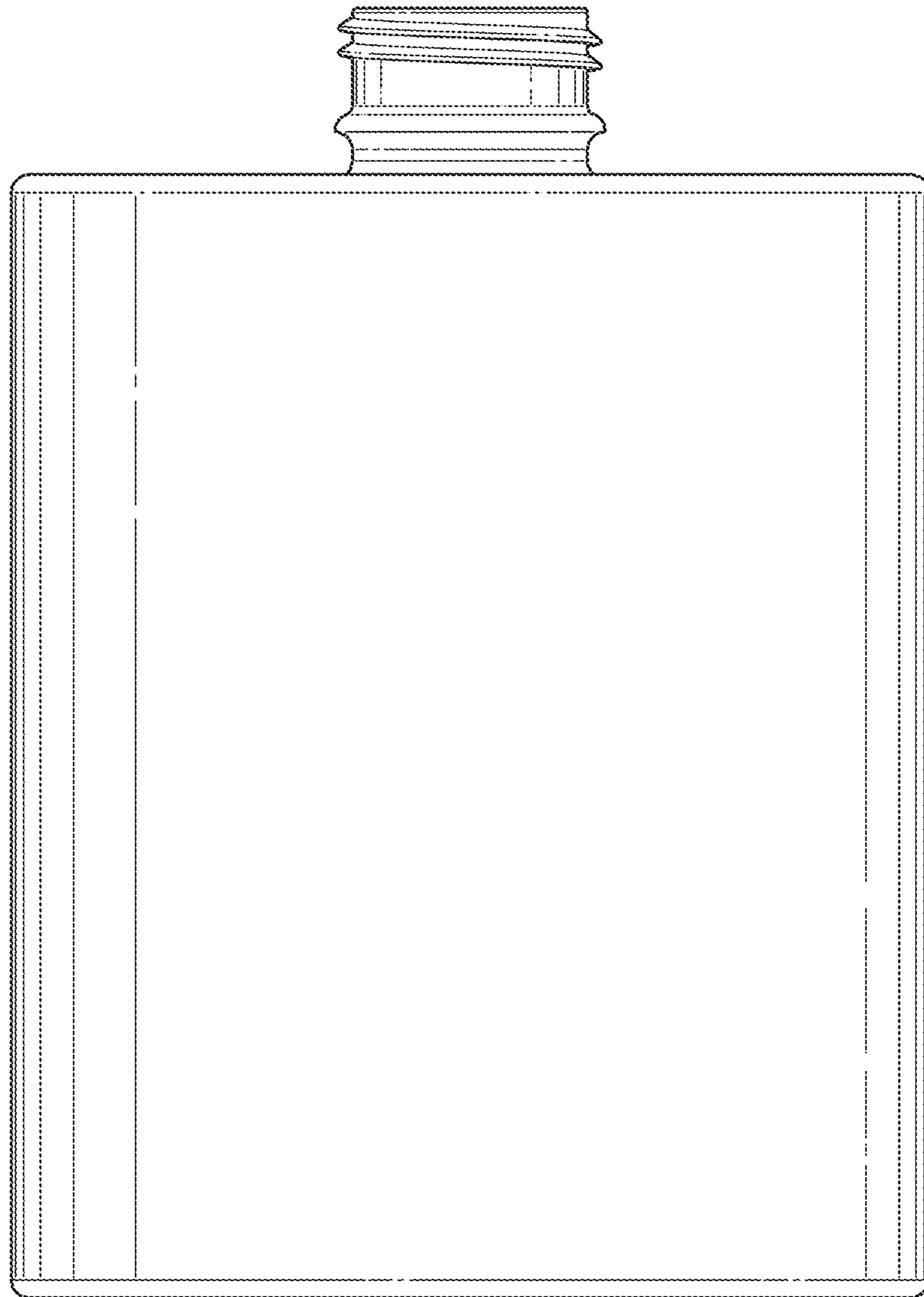


FIG. 3

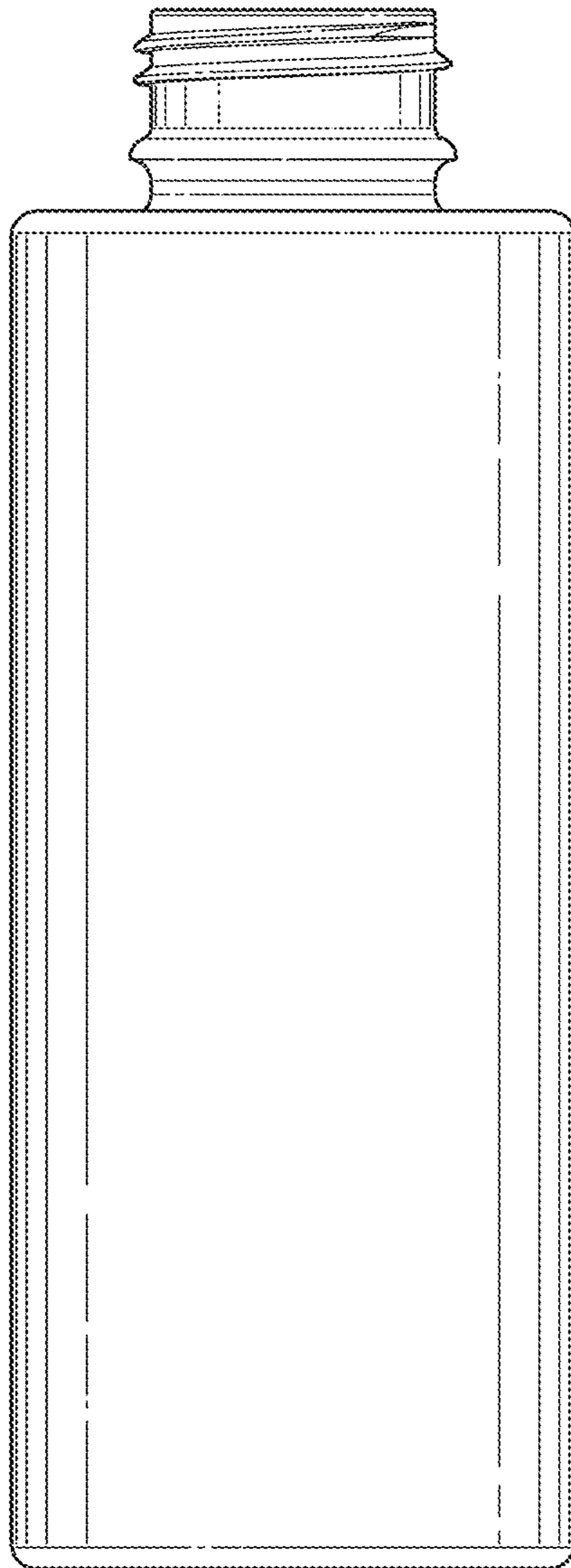


FIG. 4

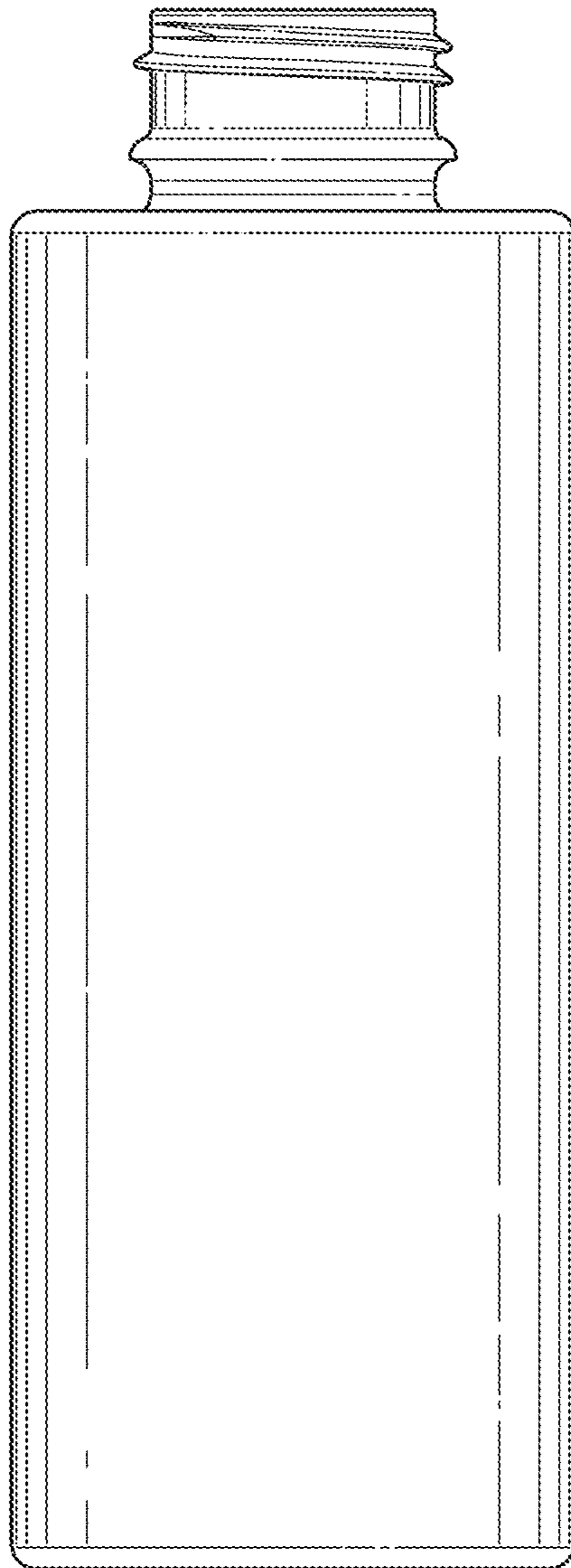


FIG. 5

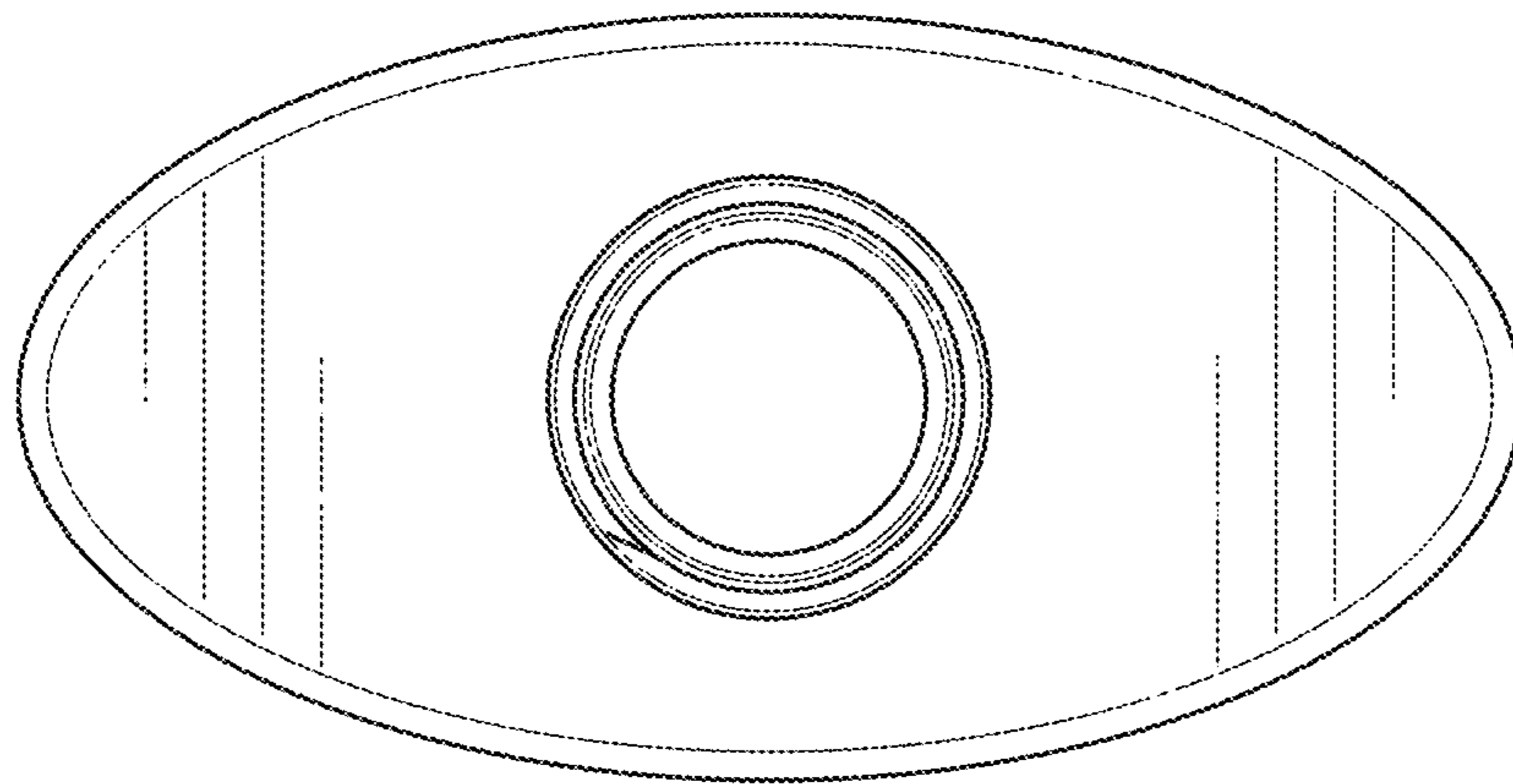


FIG. 6

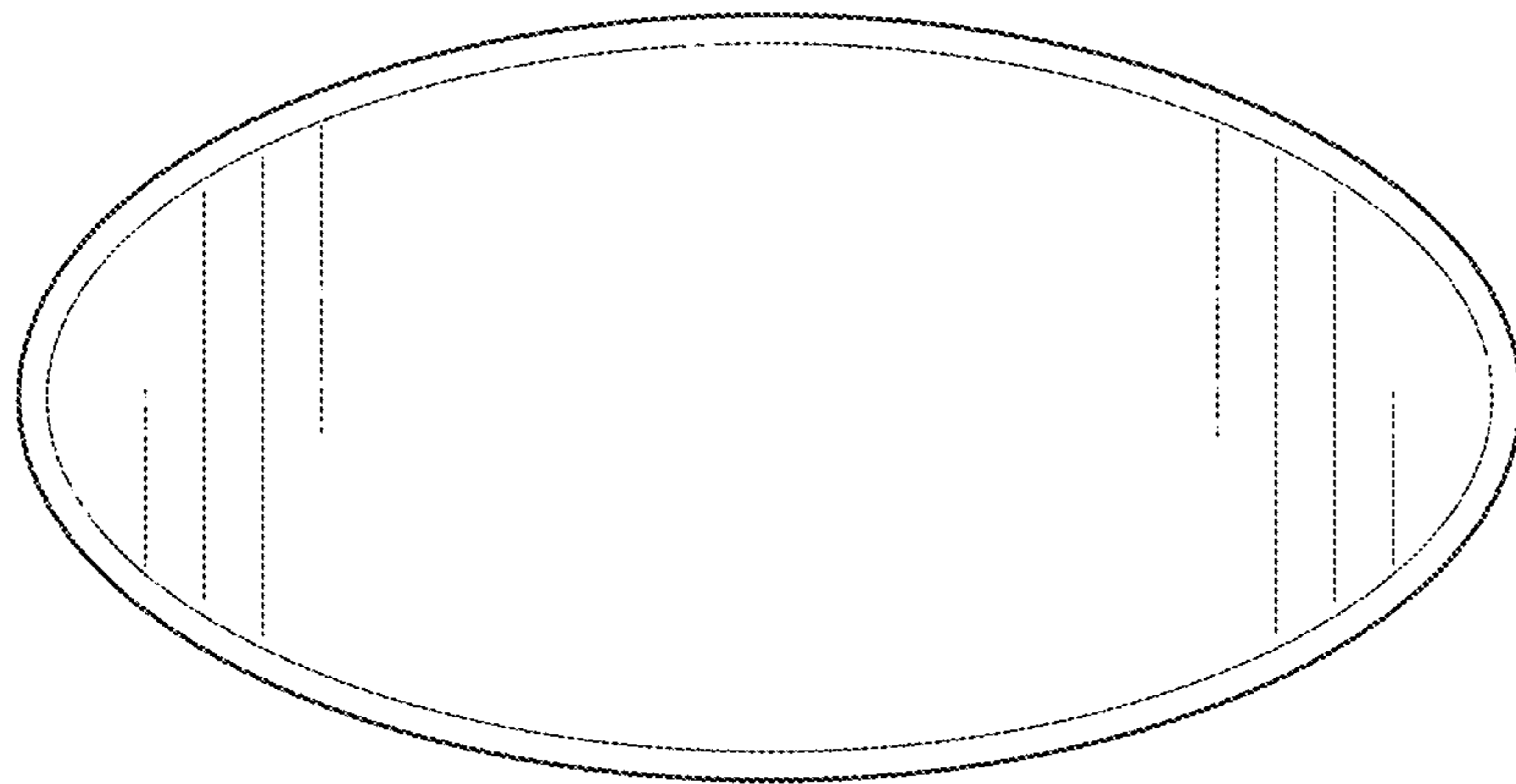


FIG. 7