



US00D887276S

(12) **United States Design Patent** (10) **Patent No.:** **US D887,276 S**  
**Evans** (45) **Date of Patent:** **\*\* Jun. 16, 2020**

(54) **BOTTLE**  
(71) Applicant: **Duston L. Evans**, Lakewood, CO (US)  
(72) Inventor: **Duston L. Evans**, Lakewood, CO (US)  
(\*\*) Term: **15 Years**  
(21) Appl. No.: **29/599,312**

D240,391 S \* 7/1976 Koenigsberg ..... D9/652  
D255,985 S \* 7/1980 Seelig ..... D9/523  
4,303,170 A 12/1981 Panicci  
4,388,996 A 6/1983 Panicci  
4,909,392 A 3/1990 Williams et al.  
D329,326 S \* 9/1992 Sheehy ..... D3/202  
D329,814 S 9/1992 Libit  
D430,796 S \* 9/2000 Miller ..... D9/672  
6,698,065 B2 3/2004 Lauer  
6,776,303 B2 8/2004 Fripps

(Continued)

(22) Filed: **Mar. 31, 2017**  
(51) **LOC (12) Cl.** ..... **09-01**  
(52) **U.S. Cl.**  
USPC ..... **D9/526; D9/520; D9/523; D9/544;**  
**D9/563; D9/564; D9/575**  
(58) **Field of Classification Search**  
USPC ..... **D9/516, 520, 522-523, 526-527, 530,**  
**D9/543-544, 548, 563-564, 575, 682,**  
**D9/715, 719; D7/300, 598; D28/91.1**  
CPC ... **B65D 1/00; B65D 1/02; B65D 1/10; B65D**  
**1/0223; B65D 81/00; B65D 2501/00;**  
**B65D 2501/0009; B65D 2501/0081**  
See application file for complete search history.

**OTHER PUBLICATIONS**

“Circulo tequila” Google Search for images dated before Mar. 30, 2016, retrieved Mar. 16, 2019, < [https://www.google.com/search?biw=1647&bih=1090&tbs=cdr%3A1%2Ccd\\_max%3A3%2F30%2F2016&tbm=isch&sa=1&ei=8w2NXKiuKOuyggfRrq74Cg&q=circulo+tequila&oq=Circulo+Te&gs\\_l=img.1.0.0j0i5i30j0i8i30l2j0i30l6.16463.23689...\\*](https://www.google.com/search?biw=1647&bih=1090&tbs=cdr%3A1%2Ccd_max%3A3%2F30%2F2016&tbm=isch&sa=1&ei=8w2NXKiuKOuyggfRrq74Cg&q=circulo+tequila&oq=Circulo+Te&gs_l=img.1.0.0j0i5i30j0i8i30l2j0i30l6.16463.23689...) . . . \*

(Continued)

*Primary Examiner* — Dana Meyrow  
(74) *Attorney, Agent, or Firm* — Sheridan Ross P.C.

(56) **References Cited**

**U.S. PATENT DOCUMENTS**

D8,417 S \* 6/1875 Truax ..... D9/544  
D11,149 S \* 4/1879 Hood ..... D9/521  
D16,200 S \* 8/1885 Wadsworth ..... D9/544  
D47,355 S \* 5/1915 Coane ..... D9/523  
D61,415 S \* 8/1922 Klein ..... D9/536  
1,627,851 A 5/1927 Kroll  
1,649,223 A 11/1927 Grant  
1,688,703 A 10/1928 Grant  
1,802,509 A 4/1931 Hillyard  
1,825,670 A 10/1931 Kuck  
D87,255 S \* 6/1932 Fuerst ..... 215/382  
D95,888 S 6/1935 Adams  
D101,011 S \* 8/1936 Scurlock ..... D9/526  
D103,426 S 3/1937 Fuerst  
D112,696 S \* 12/1938 Havekost ..... D9/526  
D168,851 S \* 2/1953 Montenier ..... D9/526

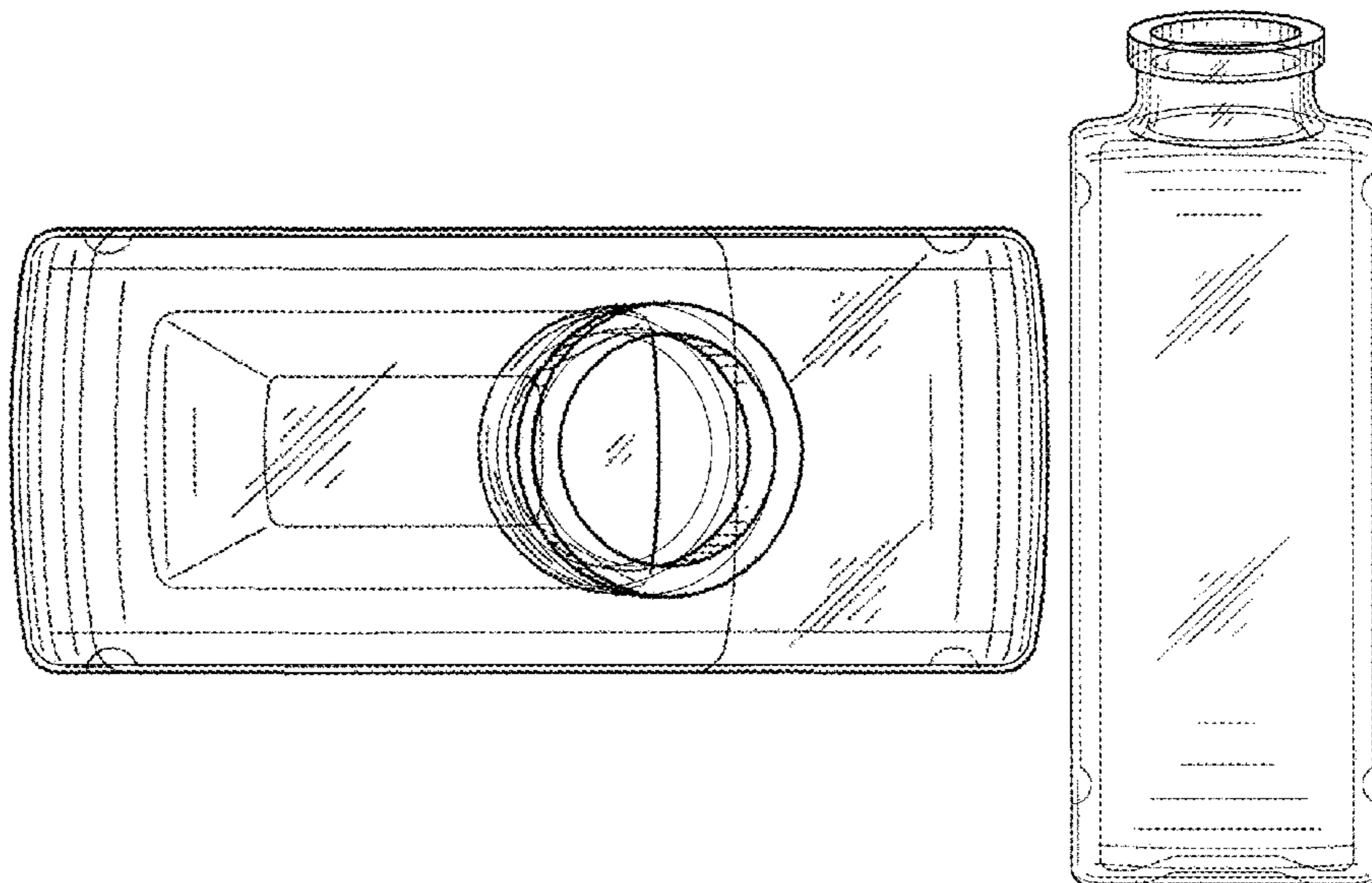
(57) **CLAIM**

The ornamental design for a bottle, as shown and described.

**DESCRIPTION**

FIG. 1 is a perspective view of the bottle.  
FIG. 2 is a bottom perspective view of the bottle.  
FIG. 3 is a top view of the bottle.  
FIG. 4 is a bottom view of the bottle.  
FIG. 5 is a front view of the bottle.  
FIG. 6 is a back view of the bottle.  
FIG. 7 is a left side view of the bottle; and,  
FIG. 8 is a right side view of the bottle.  
The inside cavity of the bottle as it would be seen through the transparent sidewall has been omitted from the FIGS. 1 & 2 perspective views for ease of understanding.

**1 Claim, 7 Drawing Sheets**



(56)

**References Cited**

U.S. PATENT DOCUMENTS

D516,922 S 3/2006 Stockwell et al.  
D546,692 S 7/2007 Verburg  
D581,288 S \* 11/2008 Villalobos ..... D9/548  
D667,275 S 9/2012 Seehoff et al.  
D670,169 S \* 11/2012 Victorino ..... D9/526  
9,139,325 B2 9/2015 Madrid et al.  
D756,228 S 5/2016 Premkumar  
2008/0257845 A1 10/2008 Rossi  
2018/0282011 A1\* 10/2018 Evans ..... B65D 1/0223

OTHER PUBLICATIONS

“El Circulo Tequila Reposado”, CrushedAgave.com, dated prior to Mar. 30, 2016 by Google Search, Retrieved Mar. 16, 2019, < <https://www.crushedagave.com/tequila-listings/reposado/item/el-circulo-tequila-reposado> >.\*

U.S. Appl. No. 15/939,017, filed Mar. 28, 2018, Evans.  
“Spotlight: Rocker Spirits,” Littleton Report, Apr./May 2018, 2 pages.  
“The Porthole Glass Infuser,” 2011, Photographs retrieved from <http://www.theportholeinfuser.com/>, 1 page.  
“U.S. Trademark Reg. No. 4526061,” May 6, 2014, 1 page.  
“U.S. Trademark/Service Mark Statement of Use for U.S. Trademark Reg. No. 4526061,” dated Nov. 2, 2014, 5 pages.  
Morago, “Circulo Tequila invites you to take a spin,” Houston Chronicle, Dec. 30, 2014, 4 pages.  
Official Action for U.S. Appl. No. 15/939,017, dated Sep. 28, 2018 8 pages.  
Official Action for U.S. Appl. No. 15/939,017, dated May 2, 2019 10 pages.  
Notice of Allowance for U.S. Appl. No. 15/939,017, dated Jun. 26, 2019, 8 pages.

\* cited by examiner

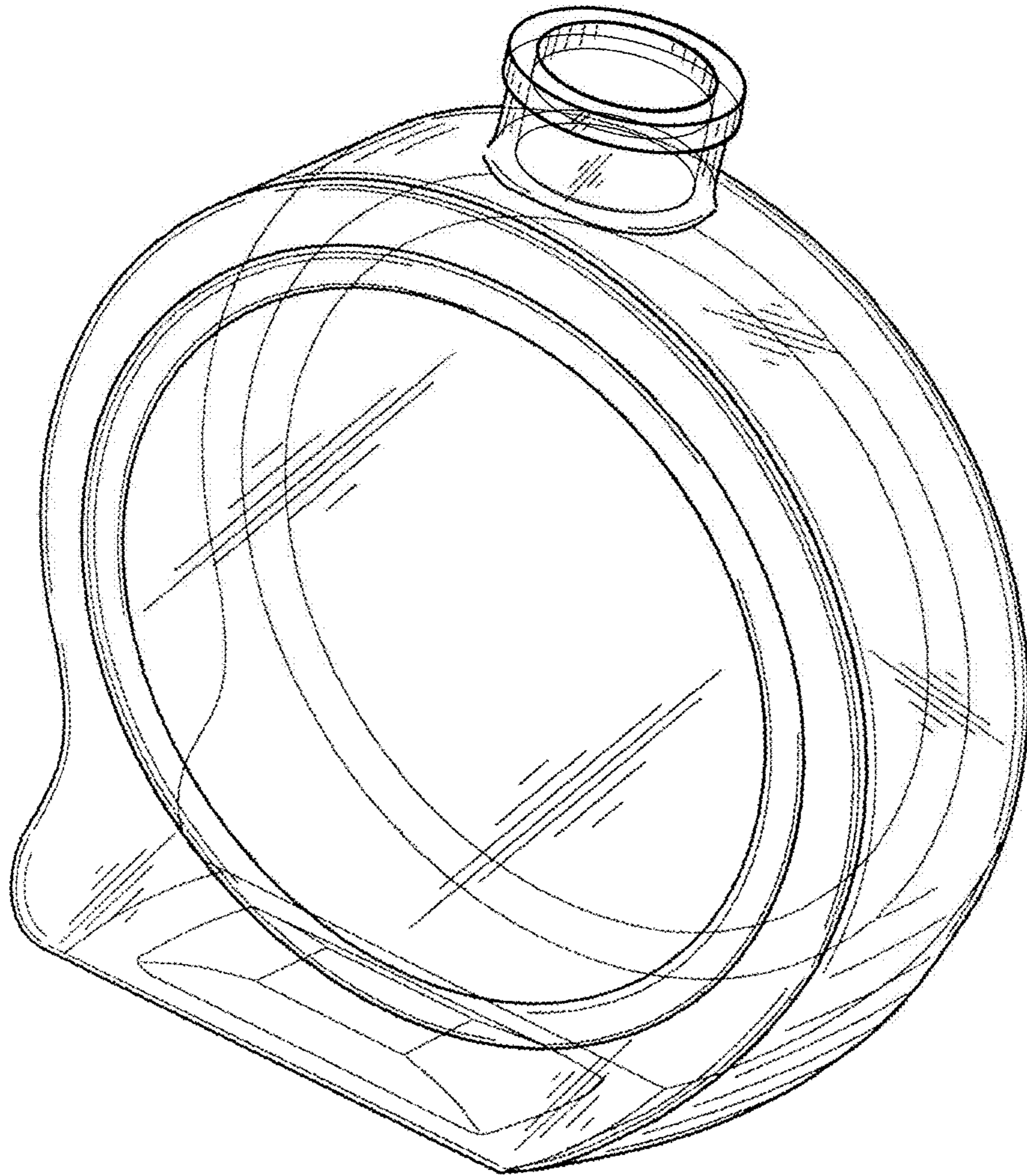


FIG.1



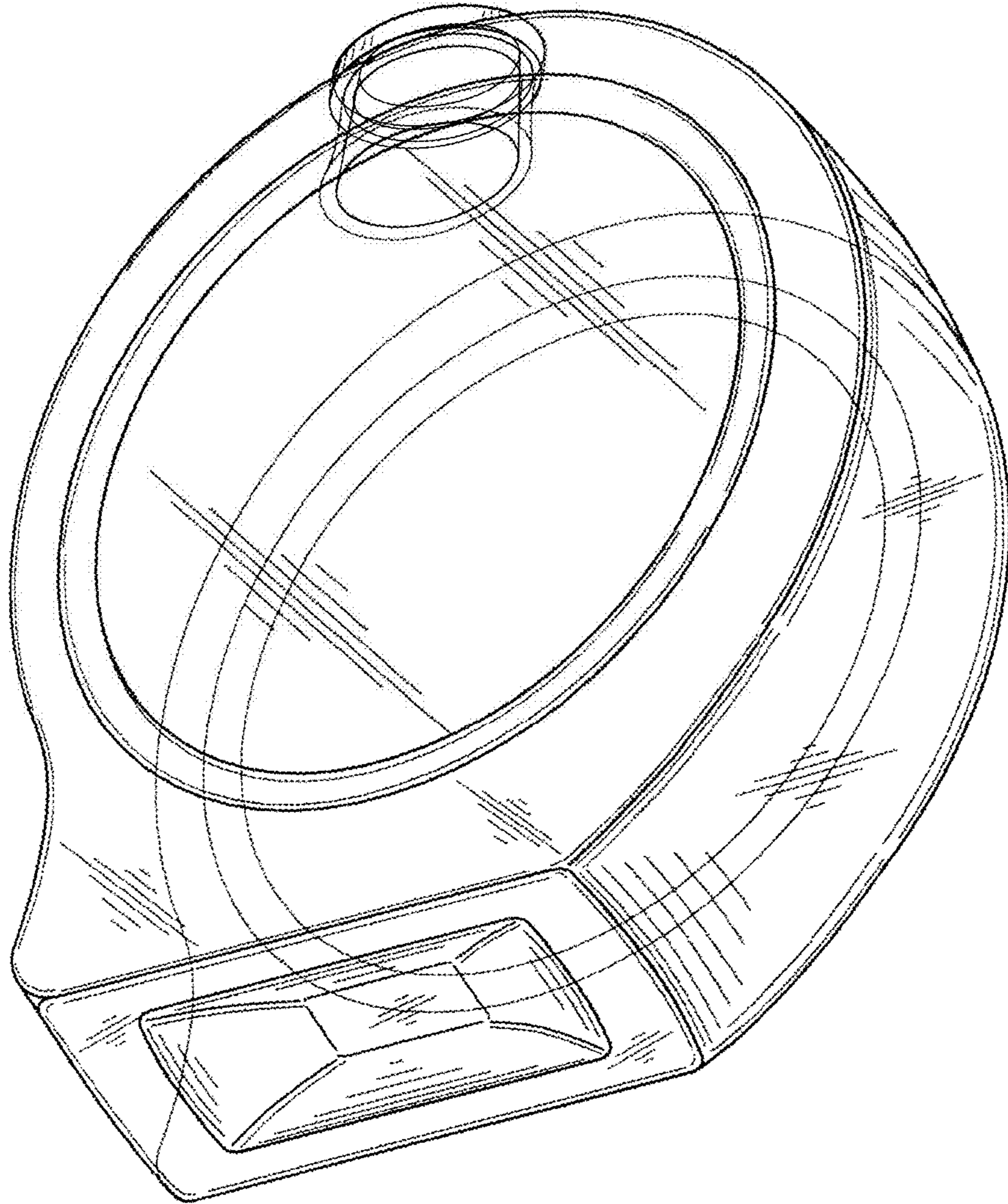


FIG.2

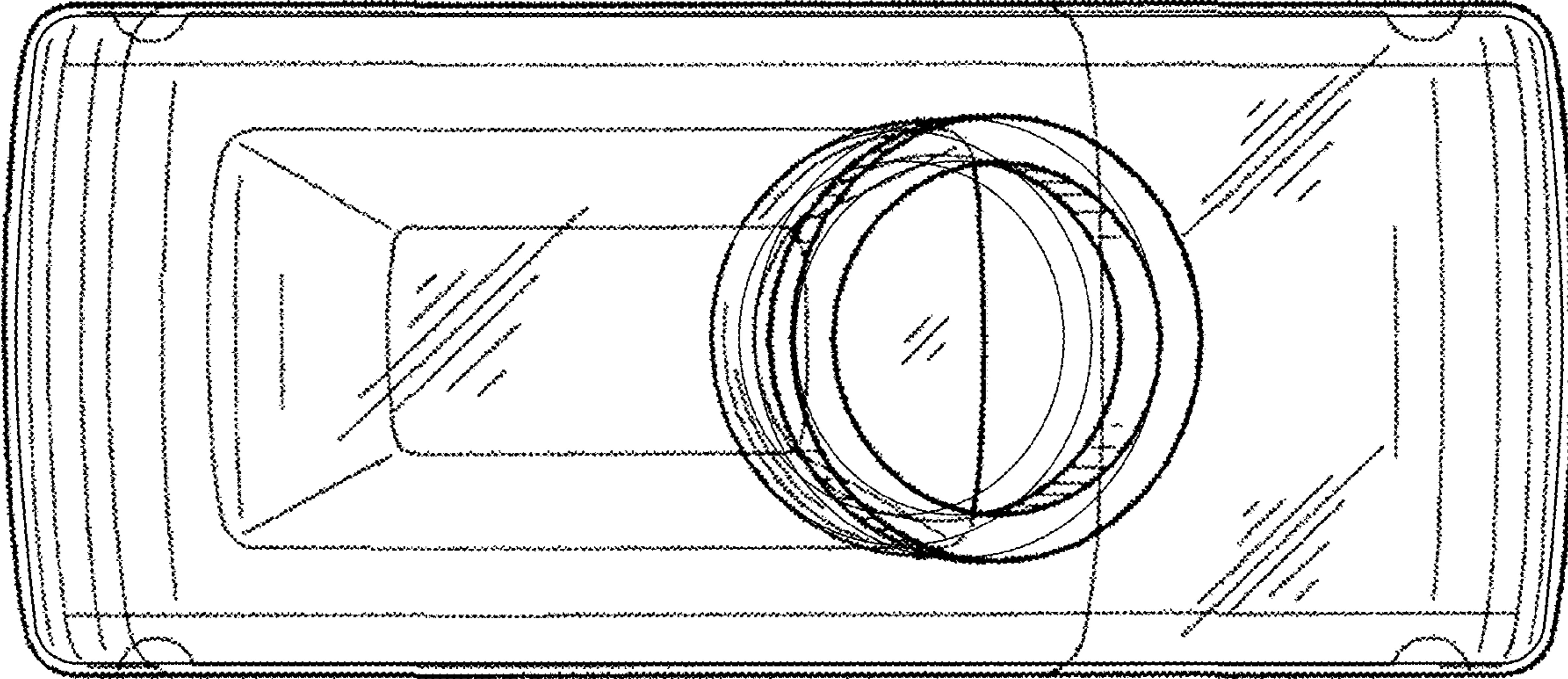


FIG.3

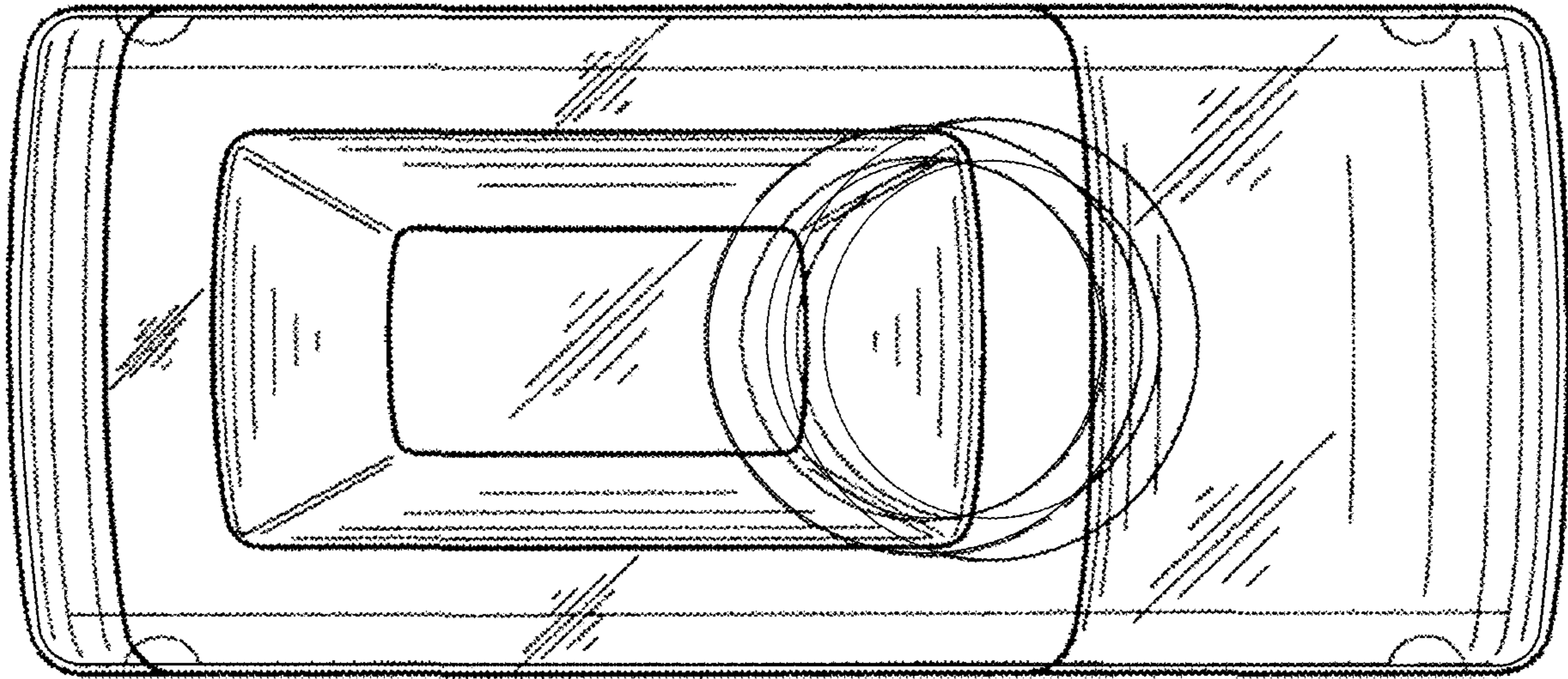


FIG.4



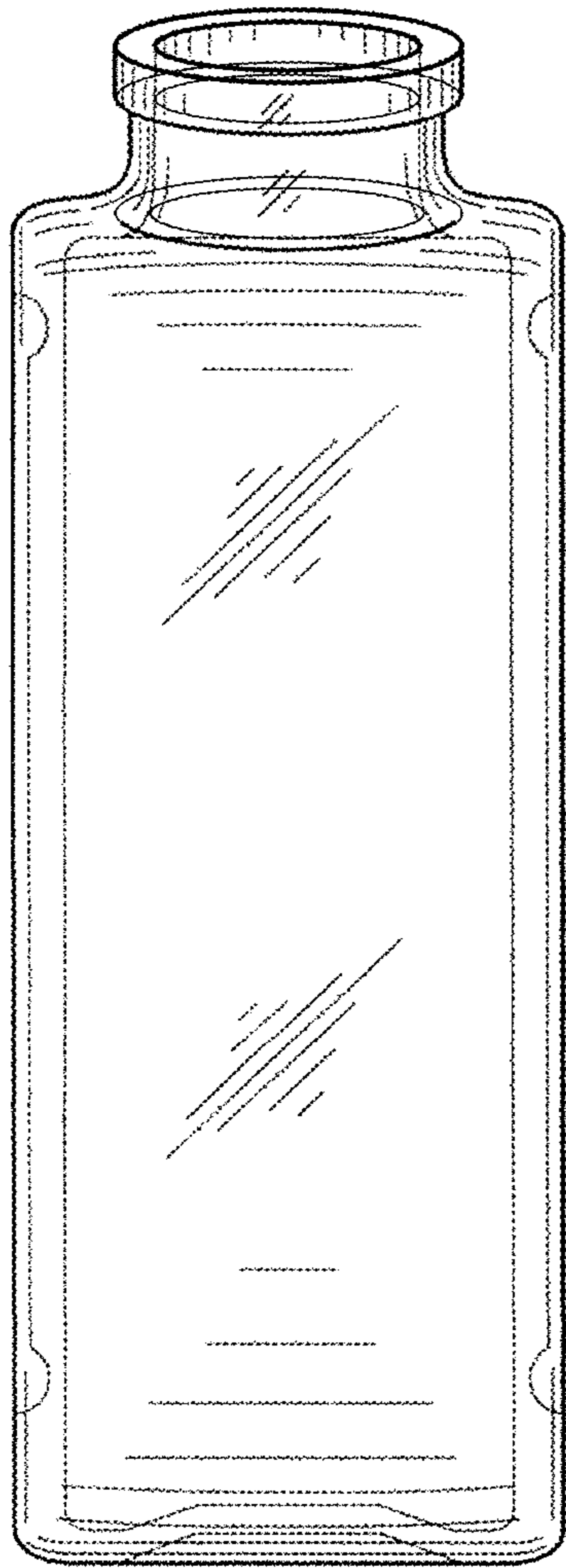


FIG.5

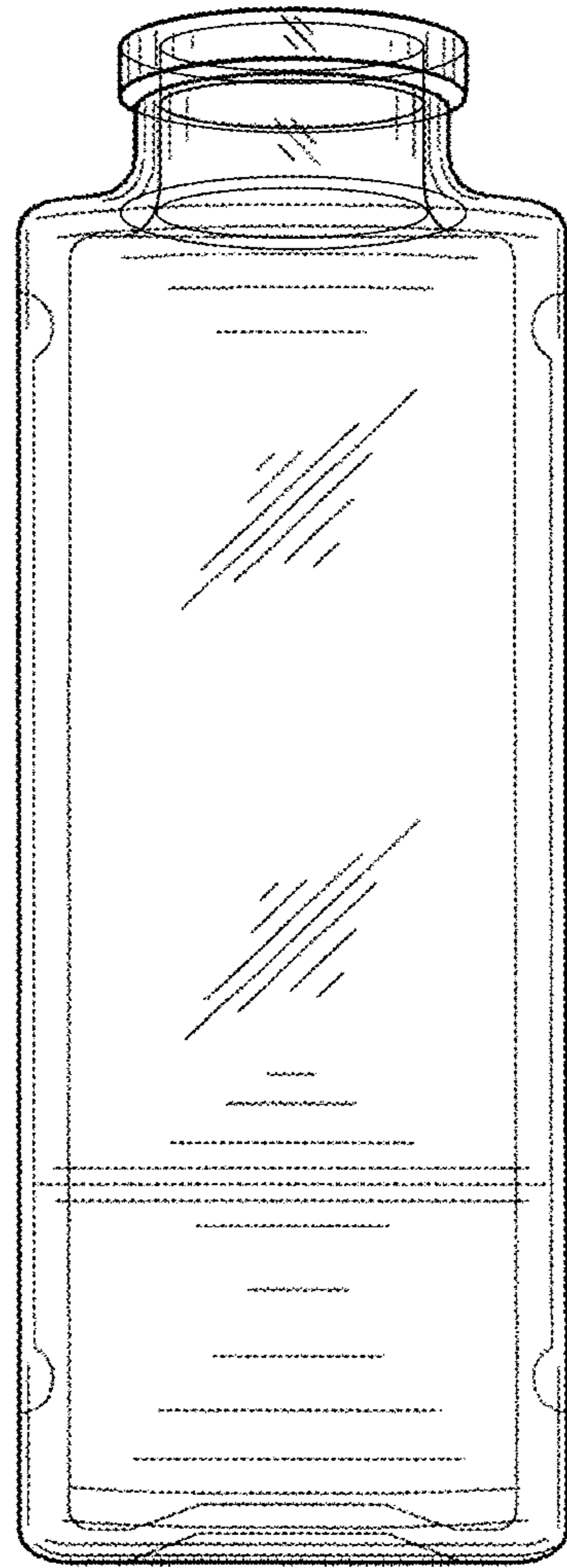


FIG.6

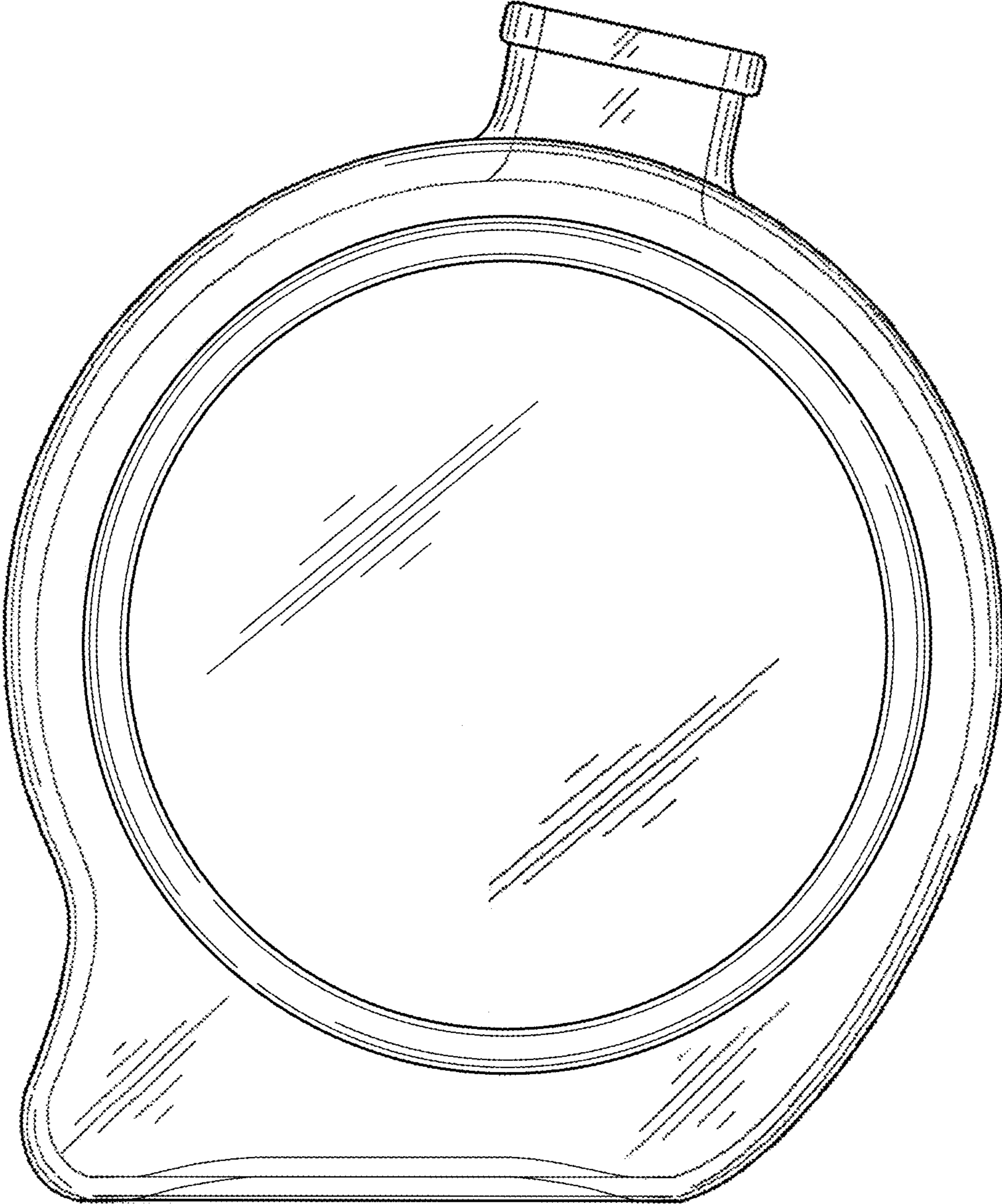


FIG. 7



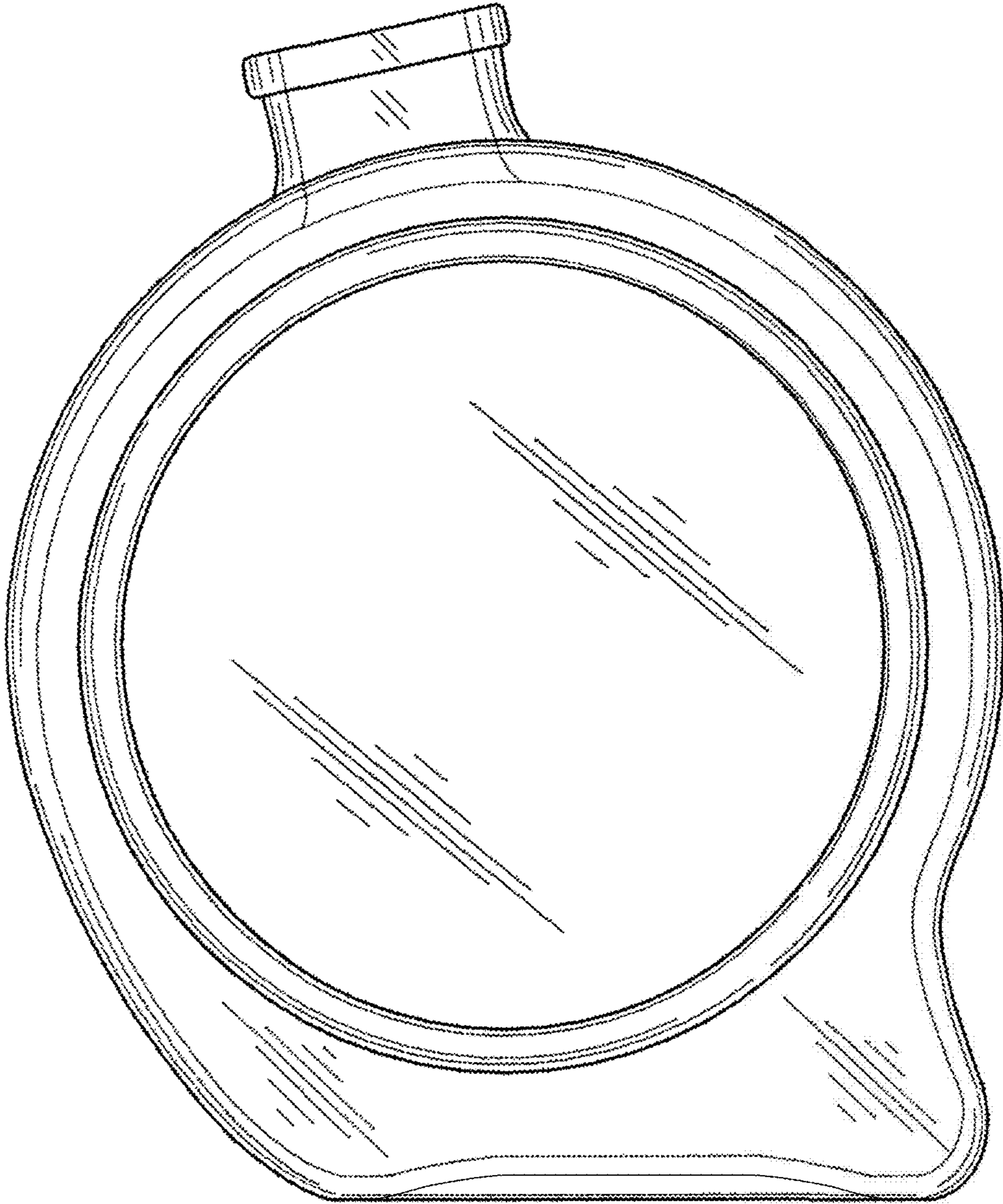


FIG.8