



US00D887274S

(12) **United States Design Patent**
Palmer

(10) **Patent No.:** **US D887,274 S**

(45) **Date of Patent:** **** Jun. 16, 2020**

(54) **SPOUT**

(71) Applicant: **Altium Packaging LP**, Atlanta, GA
(US)

(72) Inventor: **Joey Palmer**, Marietta, GA (US)

(73) Assignee: **Altium Packaging LP**, Atlanta, GA
(US)

(**) Term: **15 Years**

(21) Appl. No.: **29/710,309**

(22) Filed: **Oct. 22, 2019**

Related U.S. Application Data

(60) Continuation of application No. 29/676,826, filed on Jan. 15, 2019, now Pat. No. Des. 868,584, which is a division of application No. 29/617,384, filed on Sep. 13, 2017, now Pat. No. Des. 845,134.

(51) **LOC (12) Cl.** **09-01**

(52) **U.S. Cl.**
USPC **D9/516**

(58) **Field of Classification Search**
USPC D9/434, 435, 436, 440, 445, 447, 449,
D9/453, 454, 516, 528, 531, 540-543,
D9/558, 560, 570-575, 715, 719
CPC B65D 1/023; B65D 41/0442; B65D
2543/00296; B65D 2543/0074; B65D
25/2897; B65D 2543/0062
See application file for complete search history.

(56) **References Cited**

U.S. PATENT DOCUMENTS

D374,826 S 10/1996 MacKinson et al.
5,833,115 A 11/1998 Eiten
D415,035 S 10/1999 Ankney et al.
6,527,133 B1 3/2003 McCollum et al.
D488,381 S * 4/2004 Peronek D9/516

D488,721 S * 4/2004 Peronek D9/516
D494,068 S * 8/2004 Taylor D9/516
D538,662 S * 3/2007 Goetz D9/516
D560,118 S * 1/2008 Higgins D9/434
D568,753 S * 5/2008 Woolf D9/516
D587,118 S * 2/2009 Sadiq D9/516
D653,114 S 1/2012 Rivera et al.
D660,161 S * 5/2012 Braun D9/516
D678,072 S * 3/2013 Lobbestael D9/531
D678,774 S 3/2013 Lobbestael et al.

(Continued)

OTHER PUBLICATIONS

Canadian Intellectual Property Office, Examiner's Report for Canadian Patent Application No. 176963, dated Mar. 21, 2018, 3 pages, Canada.

(Continued)

Primary Examiner — Cathron C Brooks

Assistant Examiner — Keith Frank

(74) *Attorney, Agent, or Firm* — Alston & Bird LLP

(57) **CLAIM**

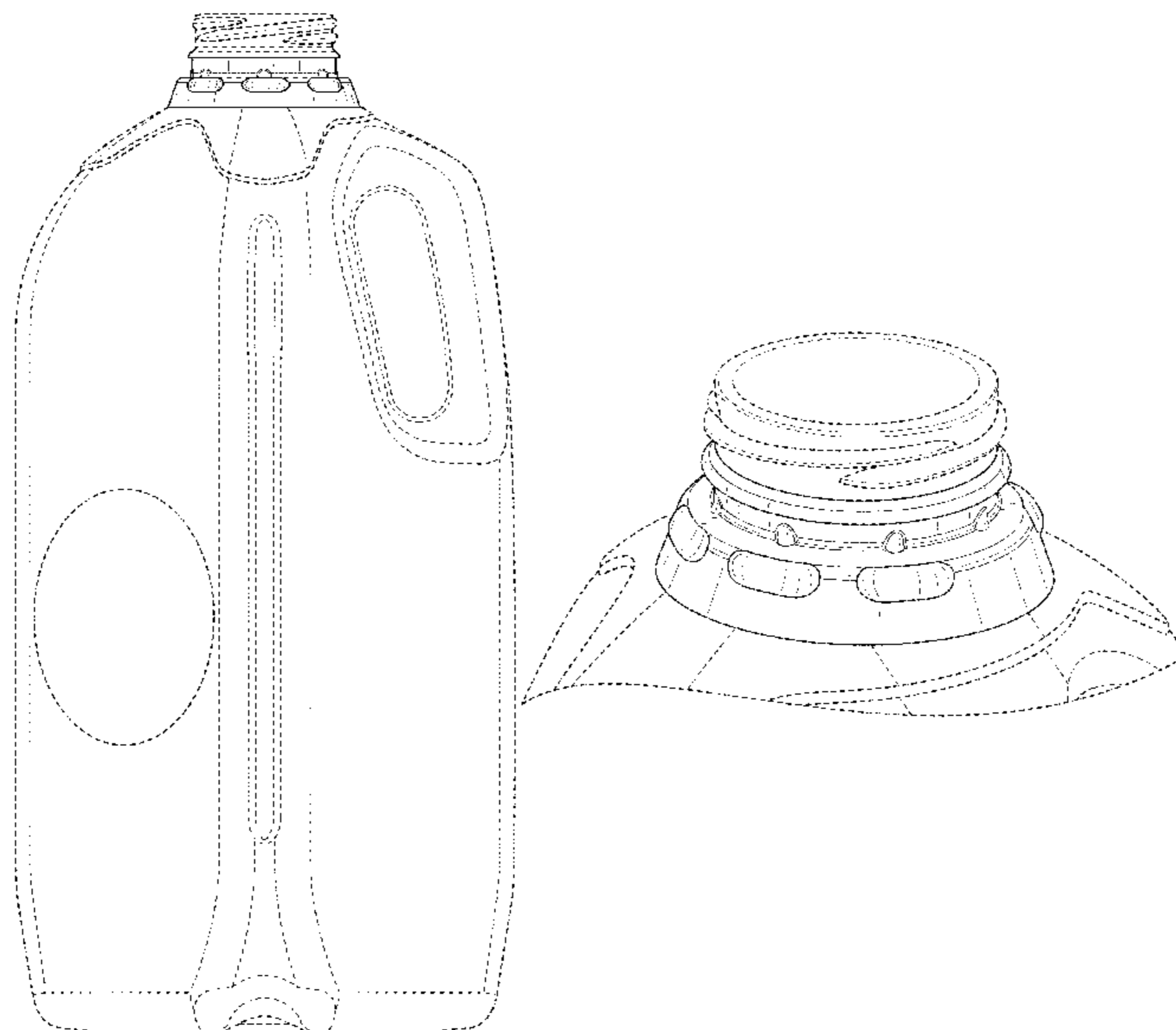
The ornamental design for a spout, as shown and described.

DESCRIPTION

FIG. 1 is a rear, left top perspective view of a spout according to my new design;
FIG. 2 is a left side view of the spout of FIG. 1.
FIG. 3 is a right side view of the spout of FIG. 1.
FIG. 4 is a front view of the spout of FIG. 1.
FIG. 5 is a rear view of the spout of FIG. 1.
FIG. 6 is a top view of the spout of FIG. 1.
FIG. 7 is a bottom view of the spout of FIG. 1; and,
FIG. 8 is a close-up front, right, top perspective view of the spout of FIG. 1.

The broken lines shown illustrate portions of the article, and environmental subject matter, and form no part of the claimed design.

1 Claim, 8 Drawing Sheets



(56)

References Cited

U.S. PATENT DOCUMENTS

D690,599 S * 10/2013 Moore B65D 7/04
D9/516
D691,048 S * 10/2013 Kanda D9/516
D696,953 S * 1/2014 Kanda D9/516
D719,026 S * 12/2014 Prero D9/516
D726,006 S 4/2015 Rapparini
D733,566 S 7/2015 Lobbestael et al.
D739,248 S 9/2015 Janeczek
D742,747 S * 11/2015 Lobbestael D9/531
D749,422 S * 2/2016 Janeczek D9/531
D780,584 S * 3/2017 Lang D9/516
D801,815 S * 11/2017 Mount, III D9/516
D808,810 S * 1/2018 Rajesh D9/516
D809,393 S 2/2018 Tjahjadi et al.
D811,226 S * 2/2018 Logel D9/516
9,981,768 B1 5/2018 Palmer et al.
D823,690 S * 7/2018 Palmer D9/531

D823,691 S * 7/2018 Palmer D9/531
D830,175 S * 10/2018 Rognard D9/454
2009/0223920 A1 9/2009 Patel et al.
2012/0241405 A1 9/2012 Lobbestael et al.

OTHER PUBLICATIONS

Canadian Intellectual Property Office, Examiner's Report for Canadian Patent Application No. 176963, dated Jun. 19, 2018, 3 pages, Canada.

Canadian Intellectual Property Office, Examiner's Report for Canadian Patent Application No. 181450, dated Jun. 19, 2018, 3 pages, Canada.

Canadian Intellectual Property Office, Examiner's Report for Canadian Patent Application No. 181449, dated Jun. 19, 2019, 1 page, Canada.

United States Patent and Trademark Office, Notice of Allowance for U.S. Appl. No. 29/710,314, dated Nov. 25, 2019, (7 pages), USA.

* cited by examiner

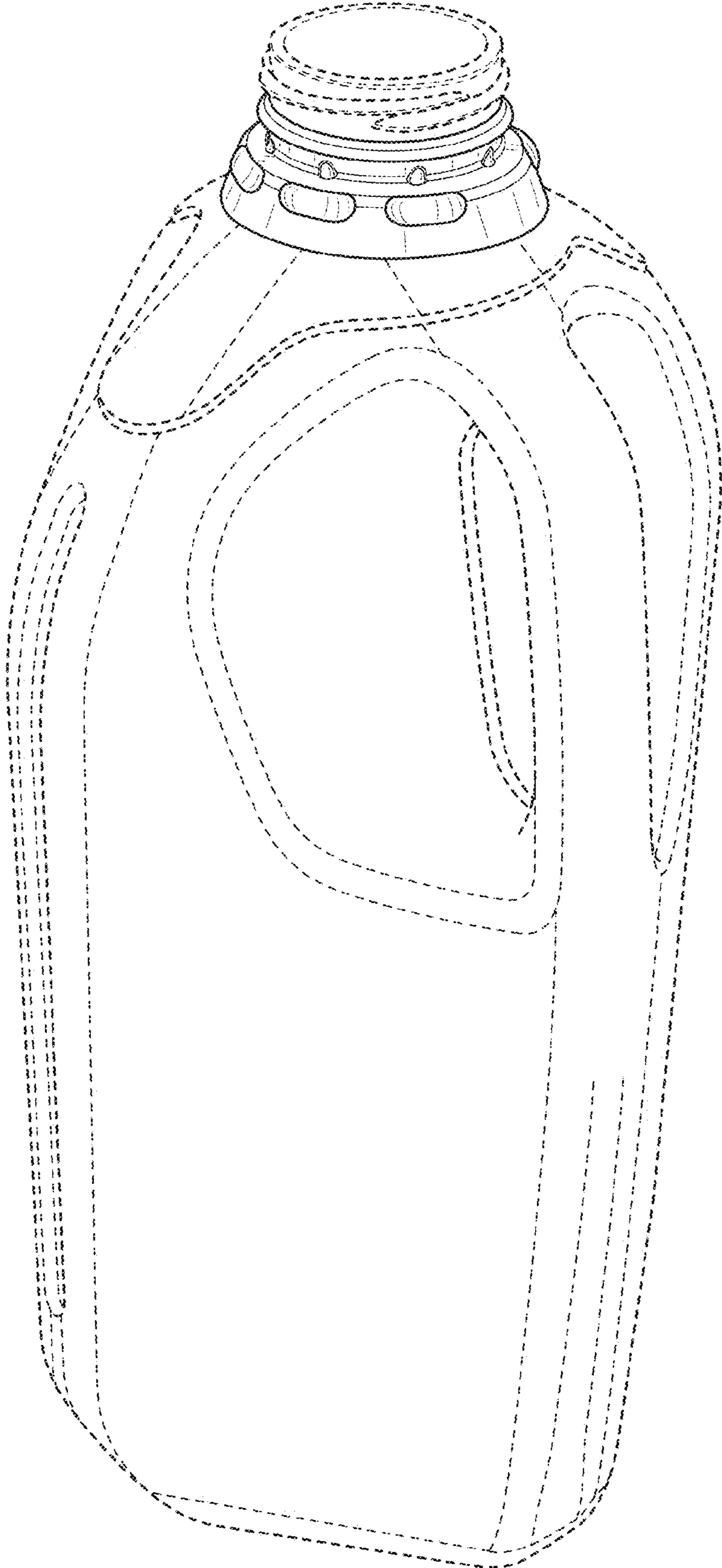


FIG. 1

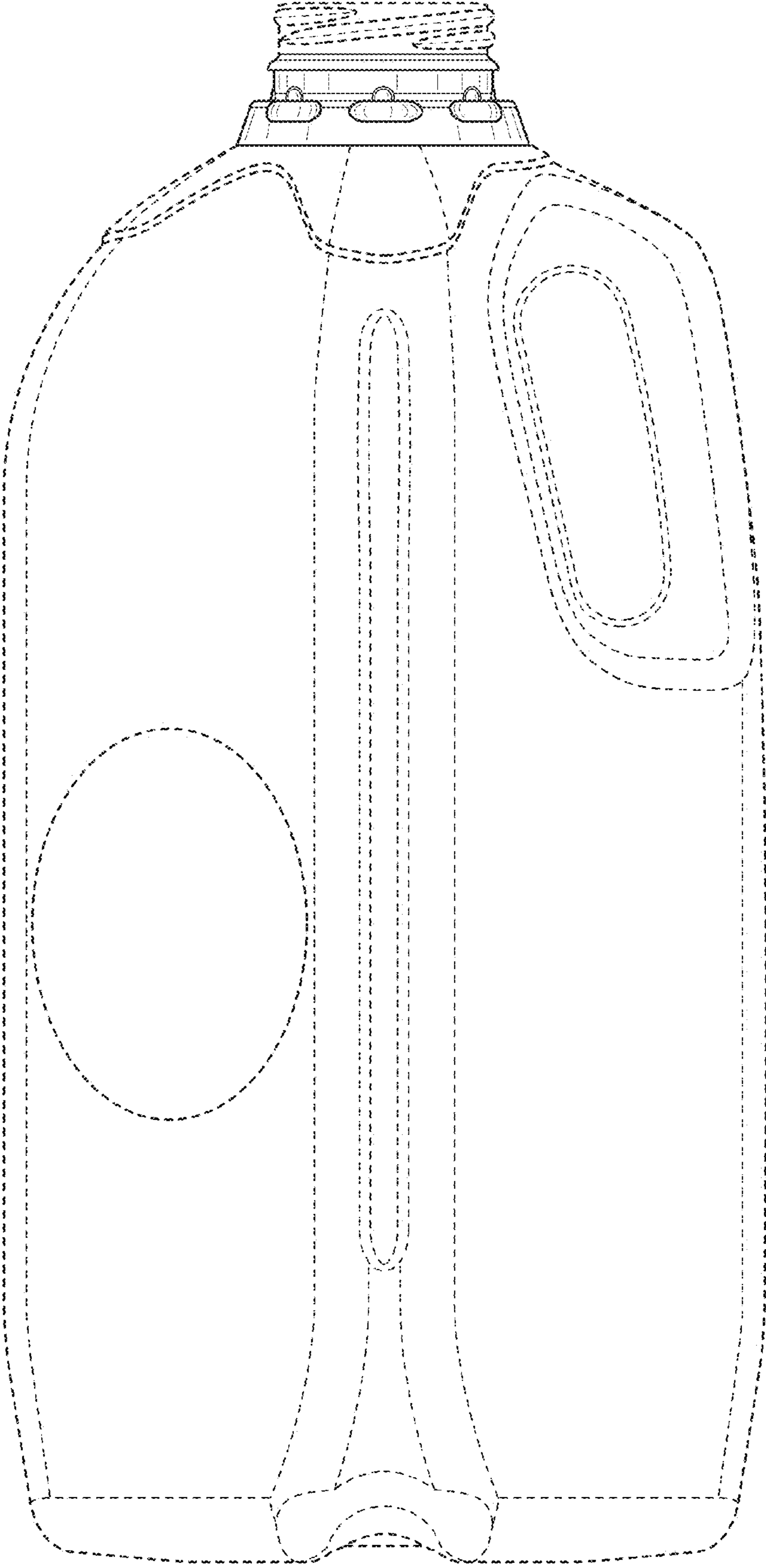


FIG. 2

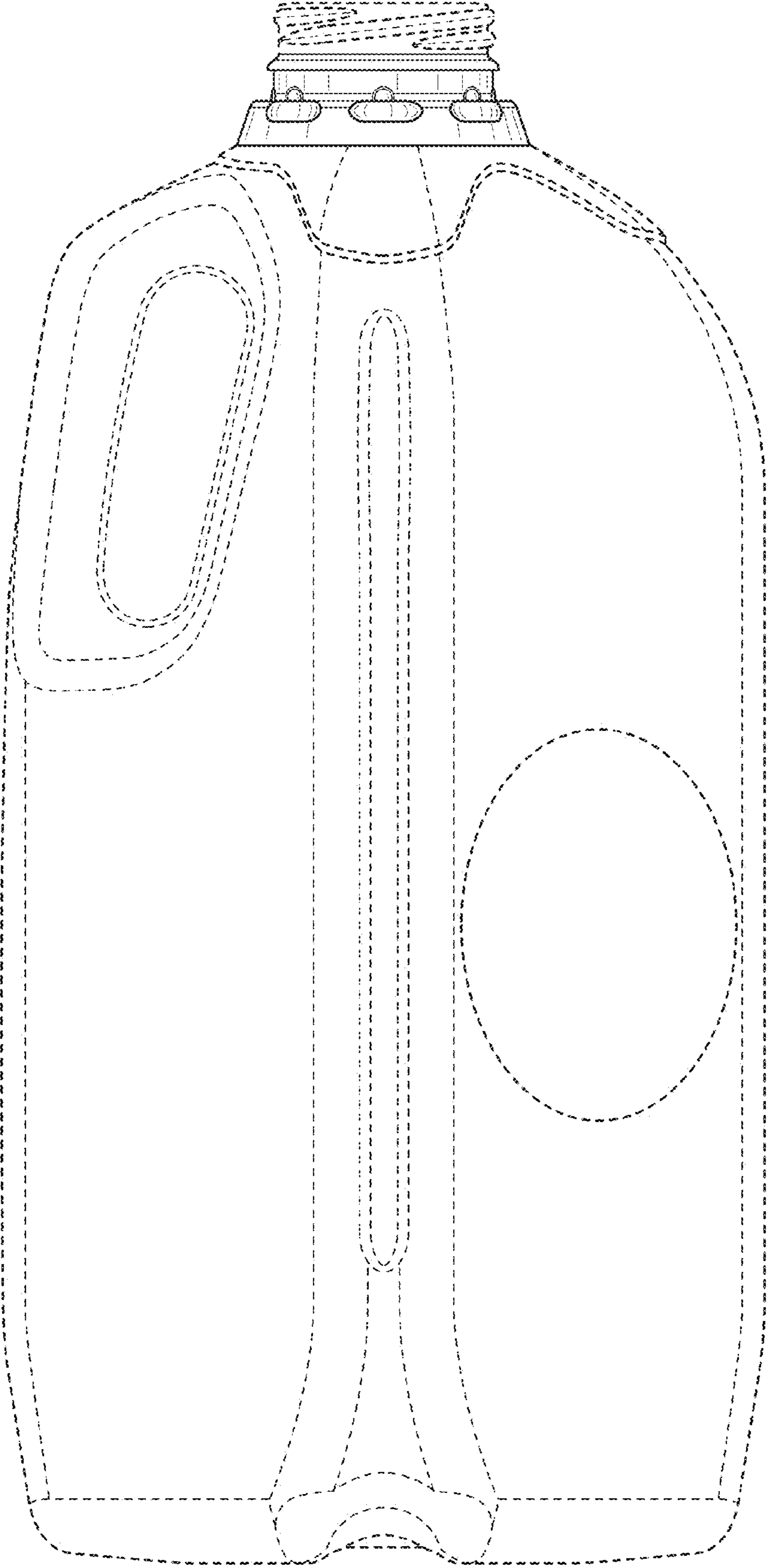


FIG. 3

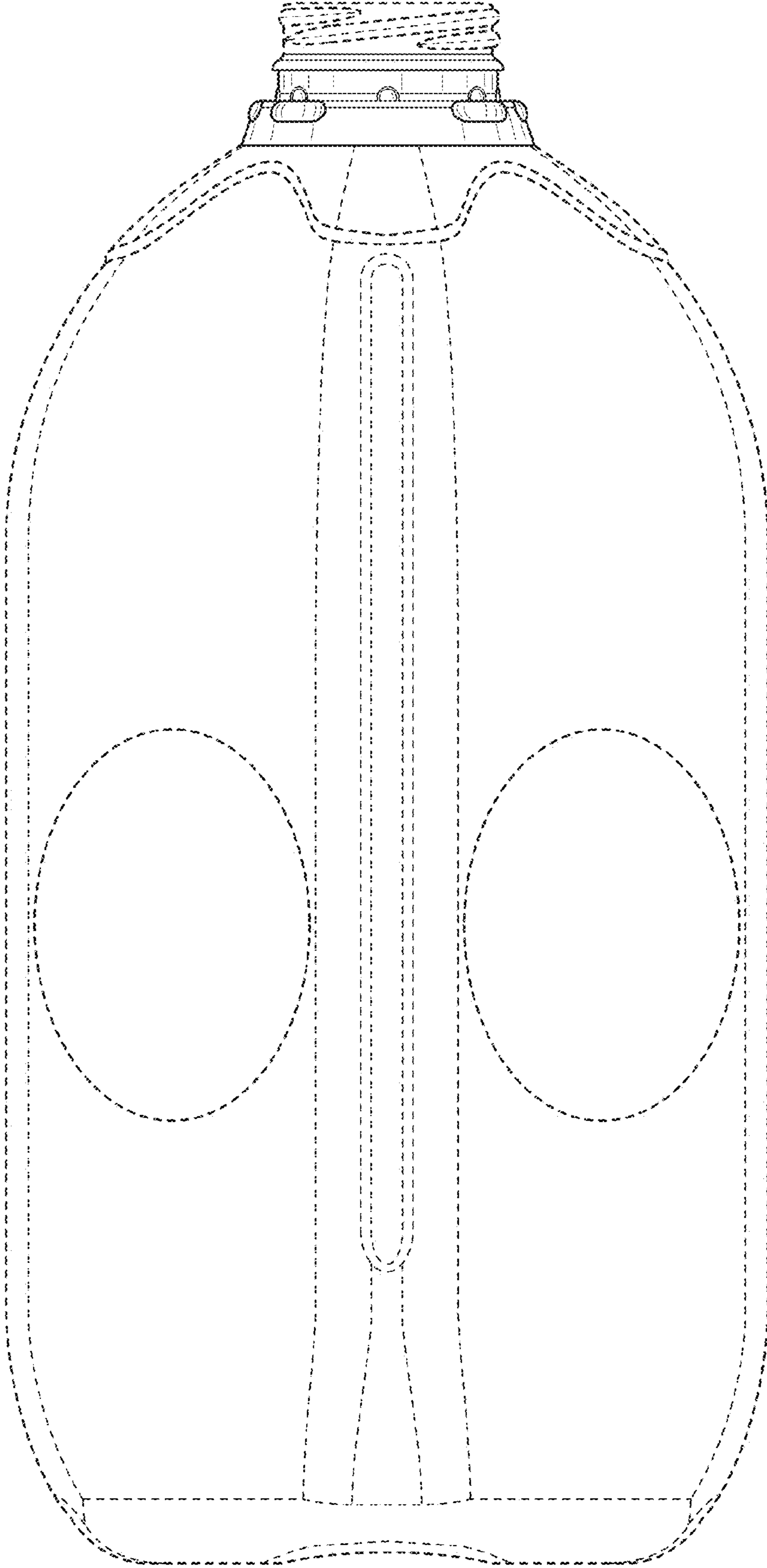


FIG. 4

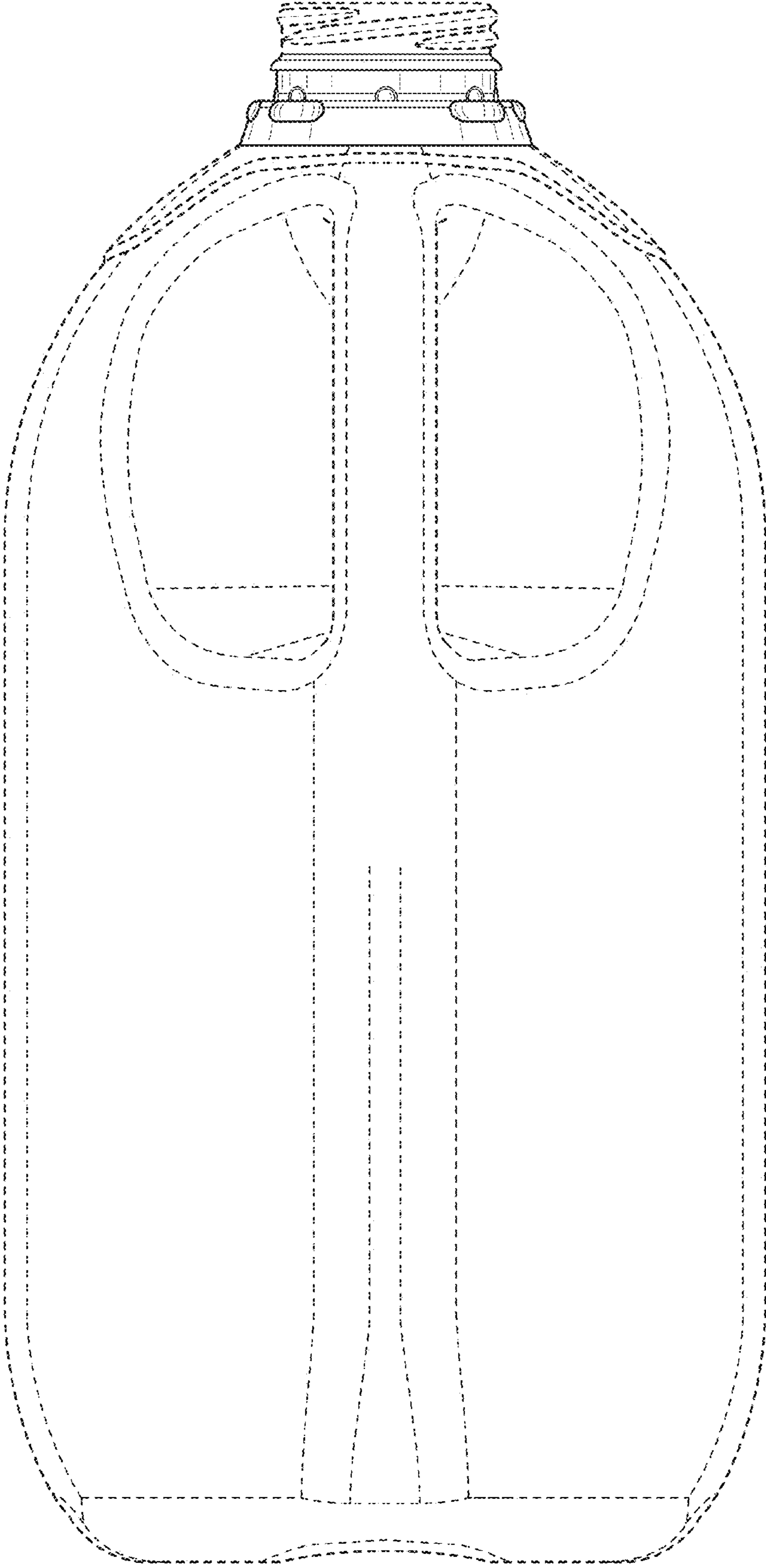


FIG. 5

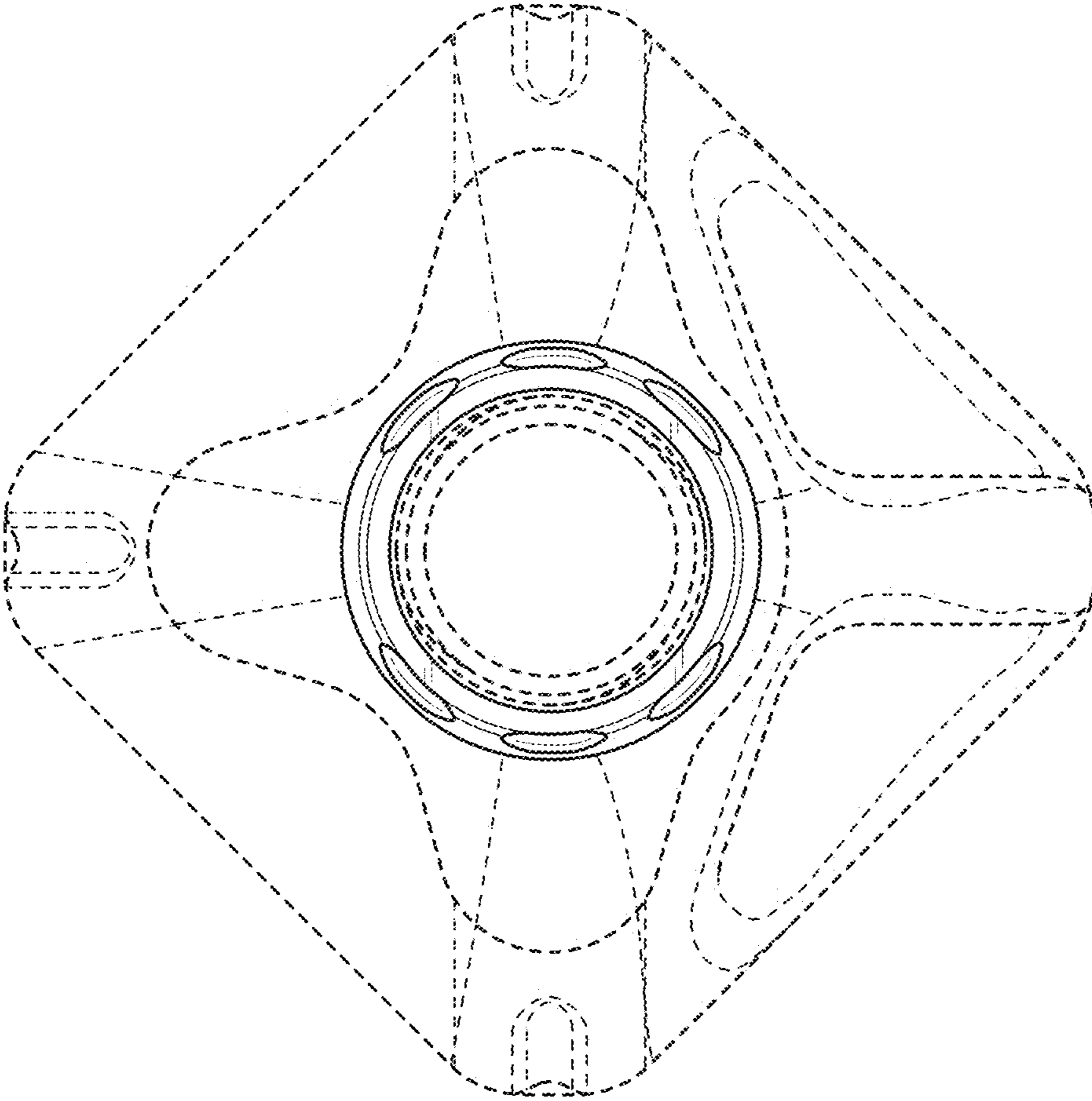


FIG. 6

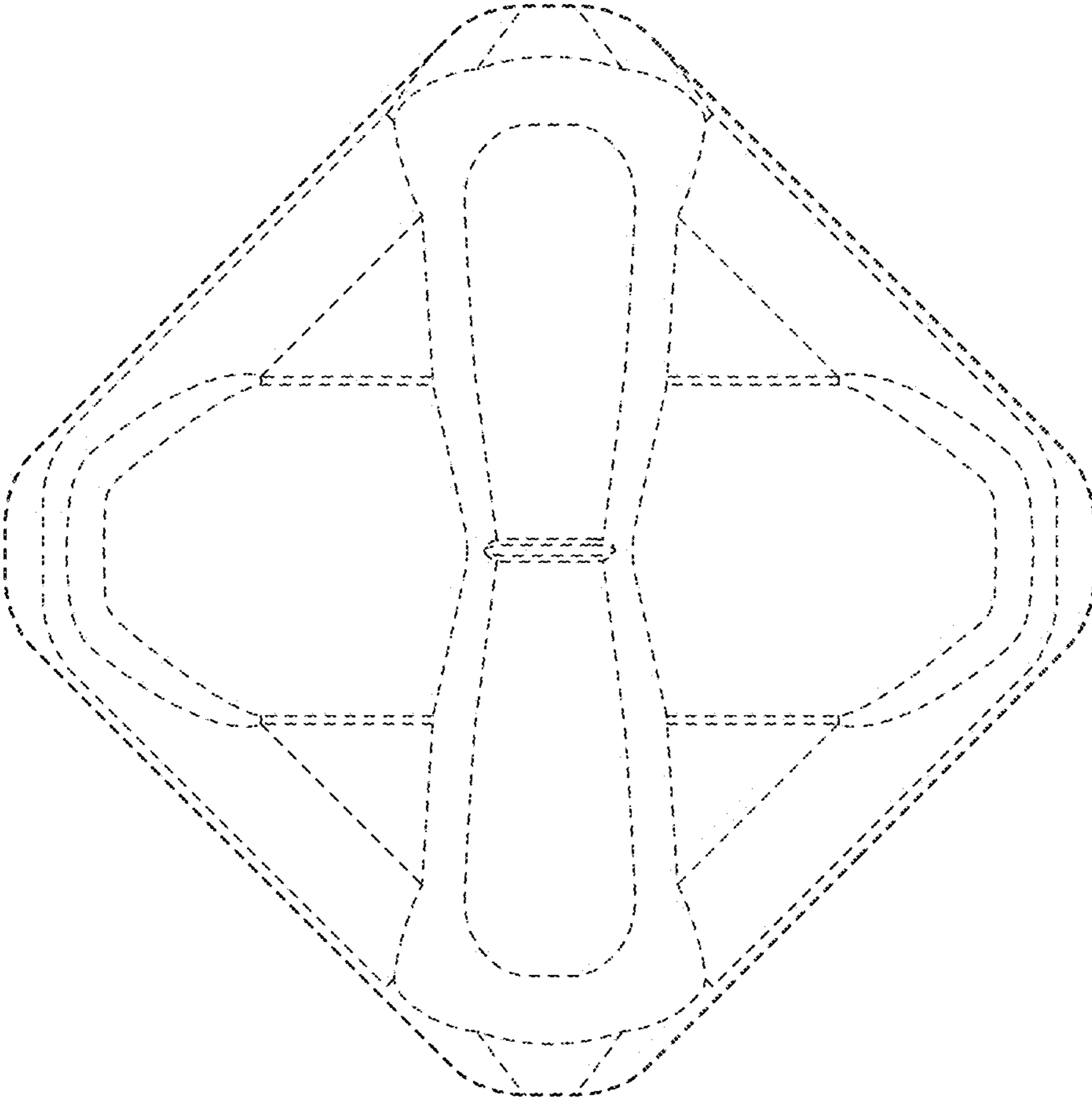


FIG. 7

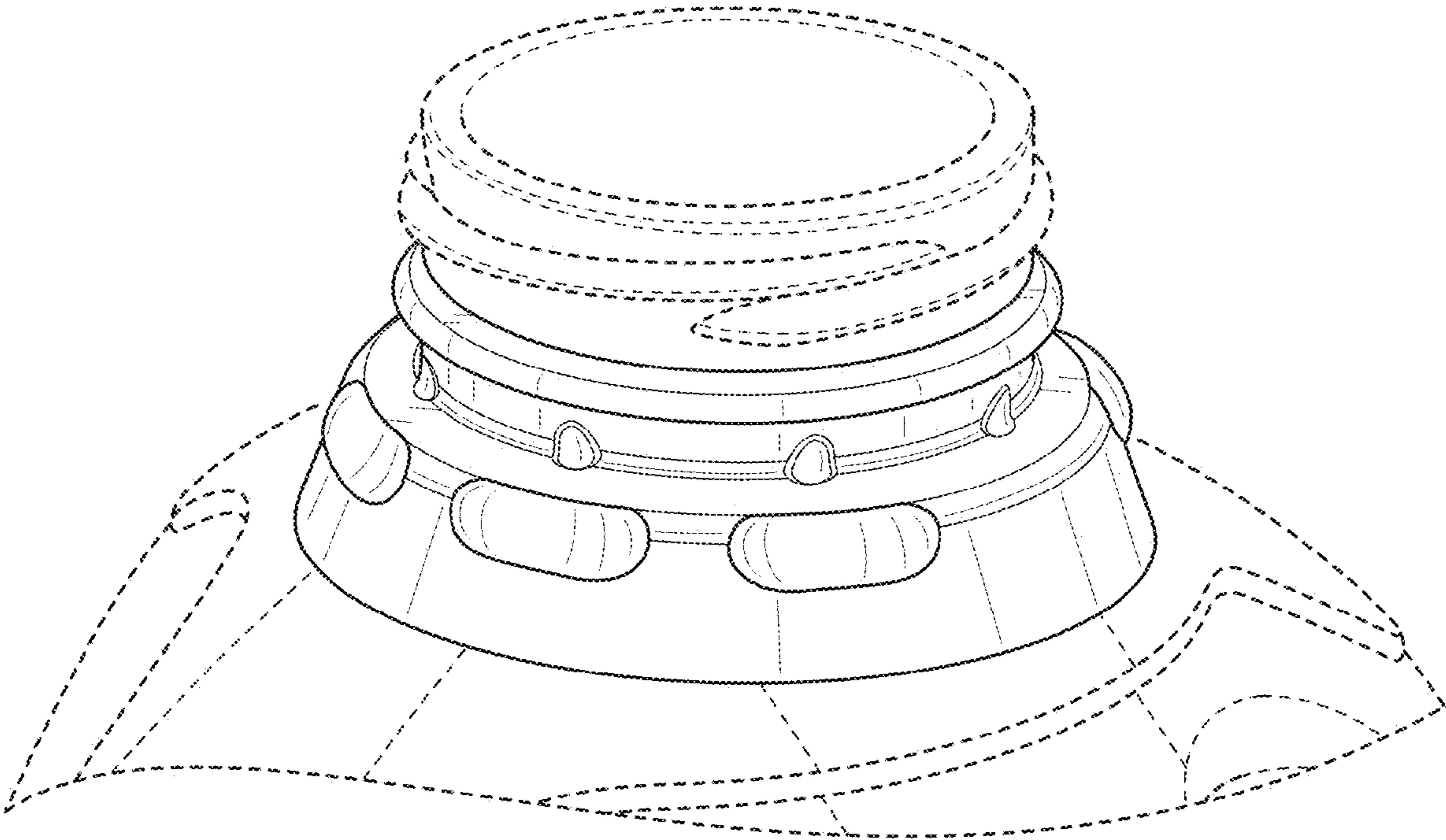


FIG. 8