



US00D887271S

(12) **United States Design Patent**
Hu et al.

(10) **Patent No.:** **US D887,271 S**
(45) **Date of Patent:** **** Jun. 16, 2020**

- (54) **BOTTLE**
- (71) Applicant: **PepsiCo, Inc.**, Purchase, NY (US)
- (72) Inventors: **Simon Hu**, Qiqihar (CN); **Antonio Pugliese**, Milan (IT); **Gianmauro Vella**, Shanghai (CN)
- (73) Assignee: **PepsiCo, Inc.**, Purchase, NY (US)
- (**) Term: **15 Years**
- (21) Appl. No.: **29/633,031**
- (22) Filed: **Jan. 11, 2018**
- (51) **LOC (12) Cl.** **09-01**
- (52) **U.S. Cl.**
USPC **D9/500**
- (58) **Field of Classification Search**
USPC D9/434, 500, 502-505, 516, 530, 537,
D9/539, 545, 549, 557-558, 715, 719;
D7/509-511, 523
CPC B65D 1/00; B65D 1/02; B65D 1/0223;
B65D 23/00; B65D 81/00; B65D
2501/00; B65D 2501/0009
See application file for complete search history.

D436,501 S 1/2001 Huang
D441,296 S 5/2001 Majerowski
D443,821 S 6/2001 Bakic
(Continued)

FOREIGN PATENT DOCUMENTS

CN 302854863 6/2014
CN 302907297 8/2014
(Continued)

OTHER PUBLICATIONS

Photograph of “Verday Chlorophyll Water” and “Pineapple Fat Water” bottles, believed to have been taken prior to Apr. 20, 2017.
(Continued)

Primary Examiner — Dana Meyrow
(74) *Attorney, Agent, or Firm* — Sterne, Kessler, Goldstein & Fox, P.L.L.C.

(57) **CLAIM**

The ornamental design for a bottle, as shown and described.

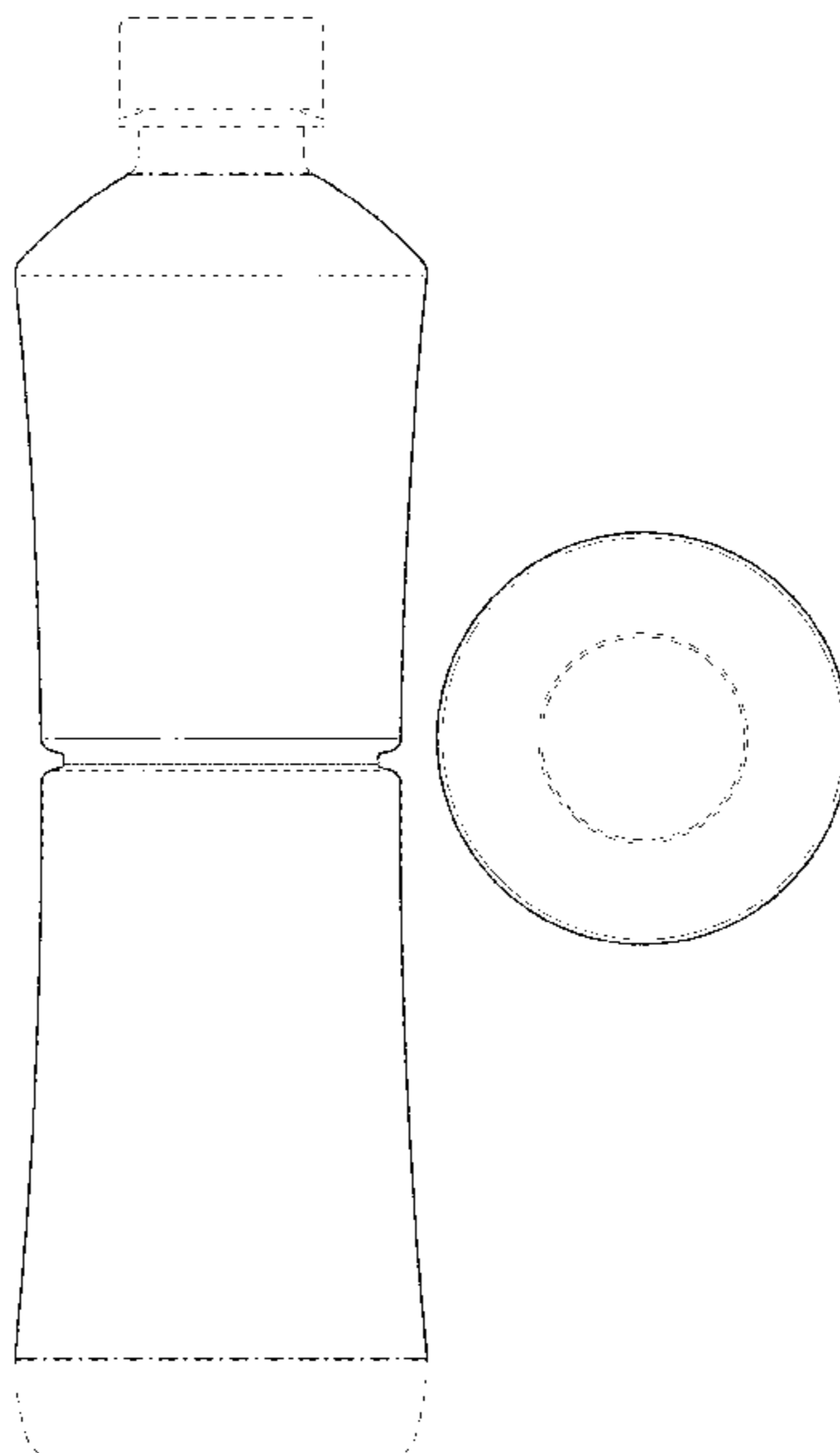
DESCRIPTION

FIG. 1 is a top perspective view of a bottle showing the claimed design;
FIG. 2 is a bottom perspective view thereof;
FIG. 3 is a front view thereof;
FIG. 4 is a rear view thereof;
FIG. 5 is a left side view thereof;
FIG. 6 is a right side view thereof;
FIG. 7 is a top view thereof; and,
FIG. 8 is a bottom view thereof.
The dashed broken lines in the figures show portions of the bottle that form no part of the claimed design.
The dot-dash broken lines in the figures show boundaries that form no part of the claimed design.
The appearance of the material from which the bottle is made forms no part of the claimed design.

1 Claim, 7 Drawing Sheets

(56) **References Cited**
U.S. PATENT DOCUMENTS

D38,167 S	8/1906	Wintermann	
D217,585 S	* 5/1970	Lambelet D9/500
D307,646 S	5/1990	Kingsford	
D407,980 S	4/1999	Oinand	
D408,740 S	4/1999	Jones et al.	
D412,281 S	7/1999	Lindsay et al.	
D413,067 S	8/1999	Haley	
D416,199 S	11/1999	Alguire et al.	
D421,910 S	3/2000	Warner et al.	
D422,902 S	4/2000	Kikuchi	
D428,342 S	7/2000	Stoller	



(56)

References Cited

U.S. PATENT DOCUMENTS

D444,390 S 7/2001 Kokenge et al.
 D446,121 S 8/2001 Maddy
 D448,306 S 9/2001 de Giovellina
 D448,678 S 10/2001 Bakic
 D471,815 S 3/2003 Gnann et al.
 D476,894 S 7/2003 Masotta et al.
 D478,278 S 8/2003 Masotta et al.
 D479,470 S 9/2003 Braaten et al.
 D497,554 S 10/2004 Le Bourg
 6,837,390 B2 1/2005 Lane et al.
 D505,079 S 5/2005 Mulder et al.
 D506,135 S 6/2005 Breier et al.
 D506,931 S 7/2005 Delmotte
 D507,753 S 7/2005 Lamb et al.
 D508,205 S 8/2005 Wadalawala et al.
 D510,270 S 10/2005 Khalifa
 D519,784 S 5/2006 Karp
 D527,644 S 9/2006 Bakic
 D535,563 S 1/2007 Martin
 D539,163 S * 3/2007 Kiernan D9/500
 D541,167 S 4/2007 Matsumura et al.
 D545,194 S 6/2007 Goudsblom
 D556,038 S 11/2007 Chupak
 D575,640 S 8/2008 Alaama et al.
 D576,044 S 9/2008 Lamb et al.
 D590,267 S 4/2009 Oommen et al.
 D608,203 S 1/2010 Yourist
 D633,793 S * 3/2011 Reagan D9/500
 D667,306 S 9/2012 Verea
 D689,375 S * 9/2013 Garner D9/502
 D700,517 S * 3/2014 Oommen D9/500
 D703,048 S * 4/2014 Lopez D9/500
 D703,049 S * 4/2014 Riley D9/500

D703,538 S * 4/2014 Paredes D9/500
 D726,539 S * 4/2015 Paredes D9/500
 D740,663 S 10/2015 Zeboudj
 D744,835 S * 12/2015 Warner D9/502
 D746,685 S 1/2016 Foley
 D746,688 S 1/2016 Yourist
 D755,049 S 5/2016 Clark et al.
 D805,903 S * 12/2017 Warner D9/502
 D829,556 S * 10/2018 Cartis D9/537
 D874,281 S * 2/2020 Paredes D9/500
 2006/0108318 A1 5/2006 Chisholm
 2006/0131258 A1 6/2006 Yourist

FOREIGN PATENT DOCUMENTS

CN	303393352	9/2015
EM	001038590-0001	11/2008
EM	002430256-0002	3/2014
EM	002430256-0003	3/2014
EM	002430256-0004	3/2014
EM	002430256-0005	3/2014
EM	003474832-0001	11/2016
JP	1574384 S	4/2017

OTHER PUBLICATIONS

Digital Image of ViO BiO LiMO Bottle, ViO.de, believed to have been published prior to Apr. 2017, accessed Jun. 26, 2017 at <https://www.vio.de/content/dam/GO/Vio/vio_limo_02_featured-tile-1_03_1122x1086_new.jpg>.
 “Braklanserer Farris & Juice,” FastFood, published May 21, 2014, accessed Jun. 26, 2017 at <<http://fastfood.no/braklanserer-farris-juice/>>.

* cited by examiner

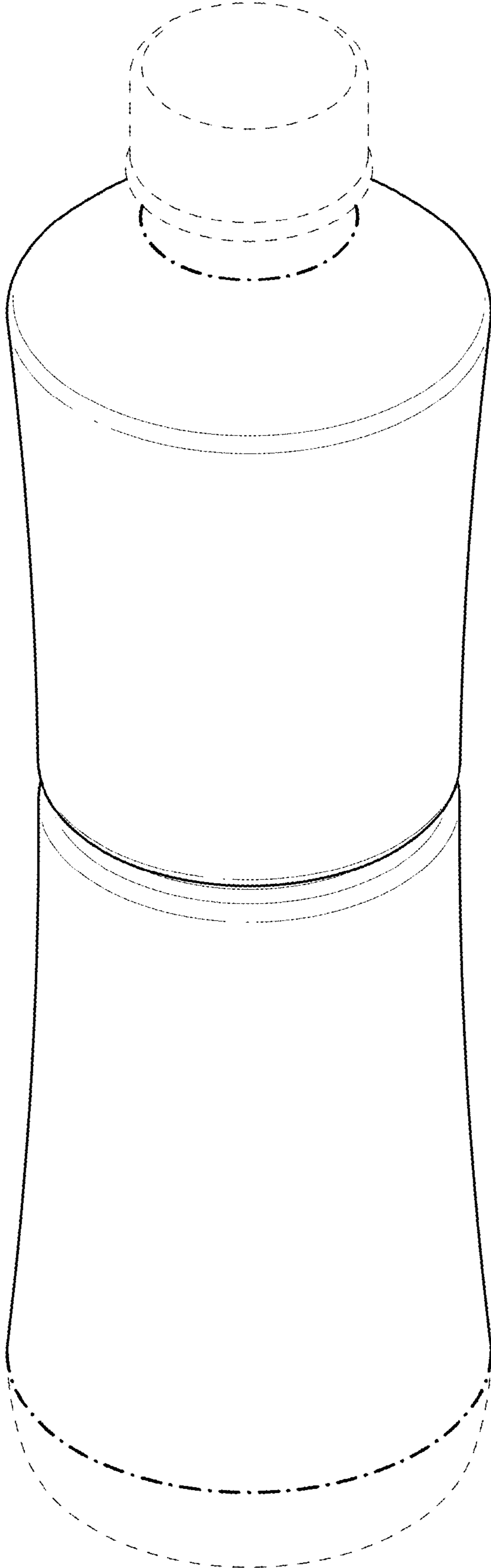


FIG. 1

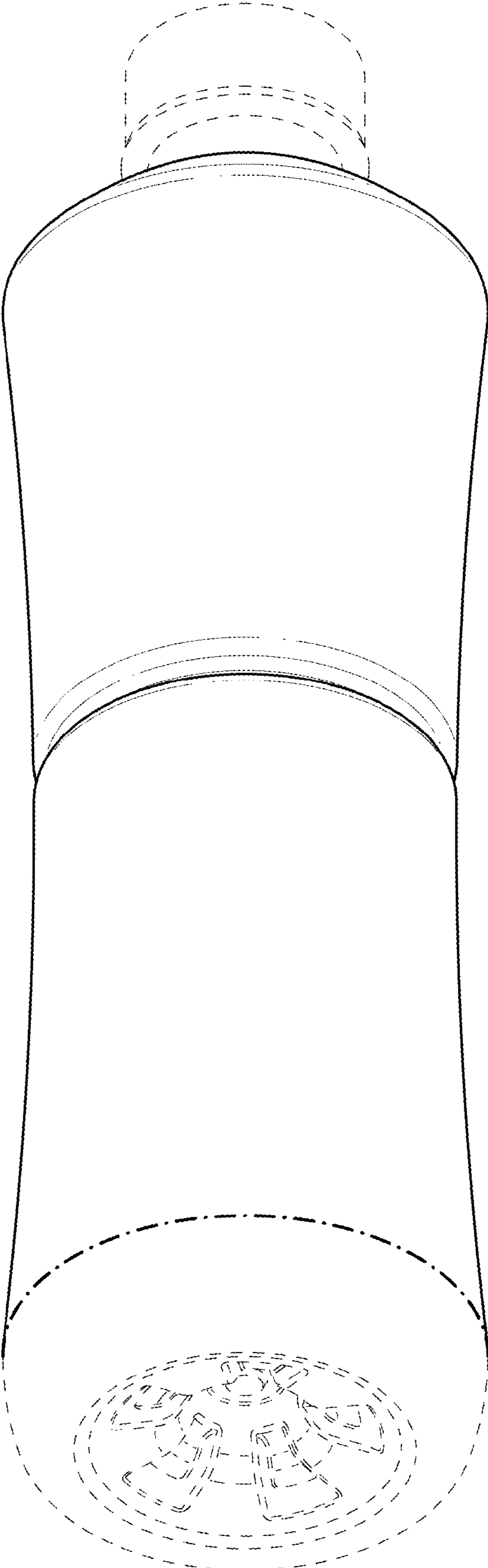


FIG. 2

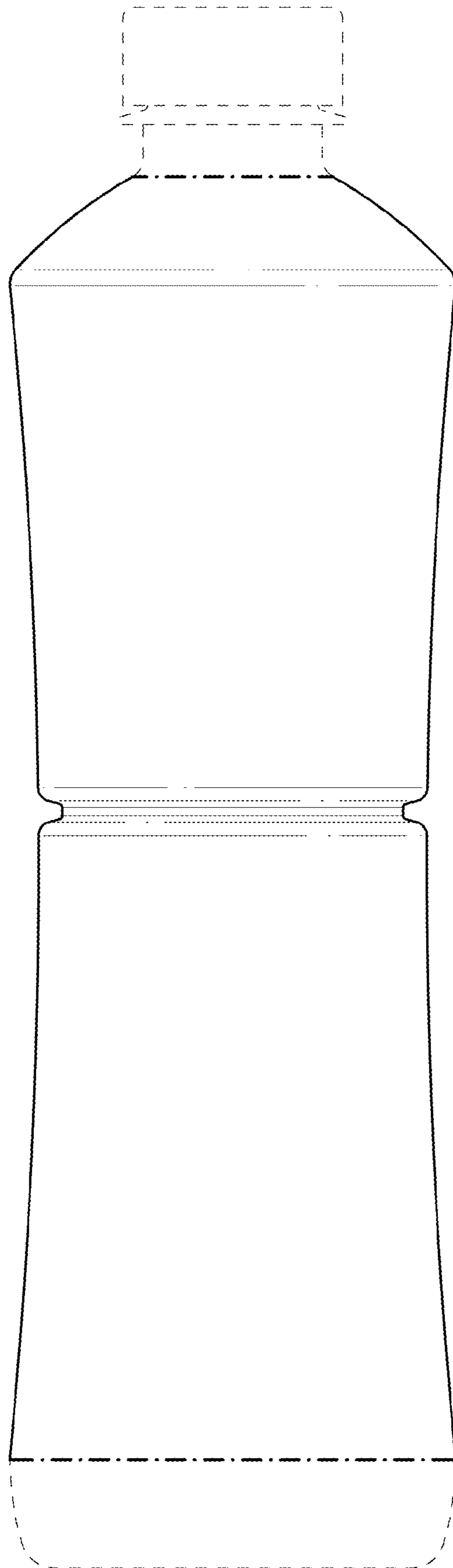


FIG. 3

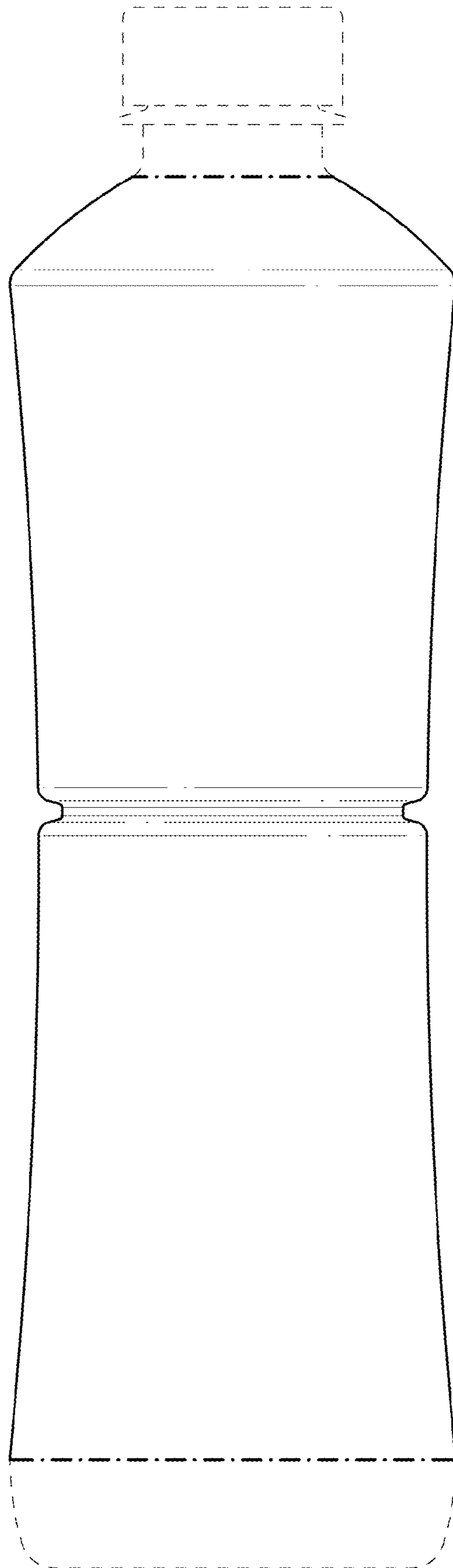


FIG. 4

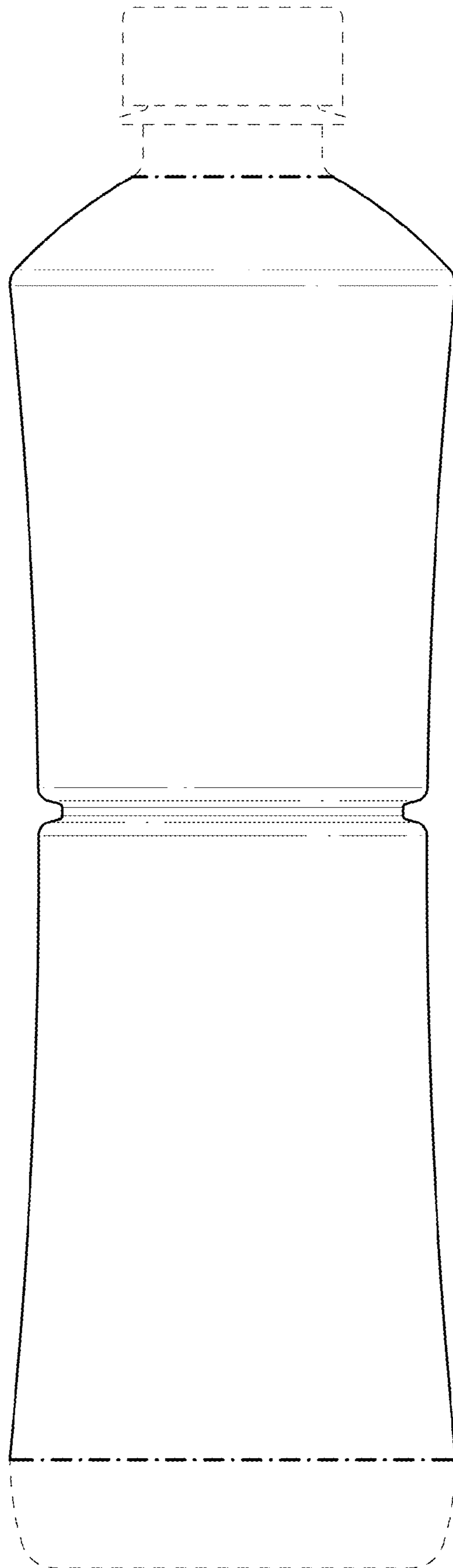


FIG. 5

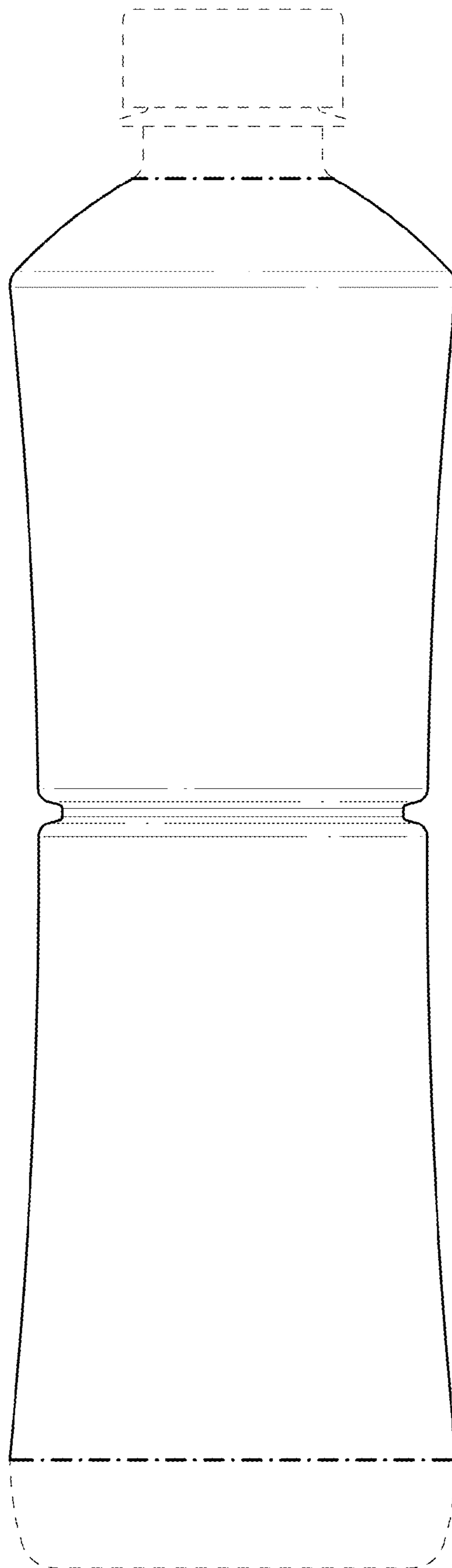


FIG. 6

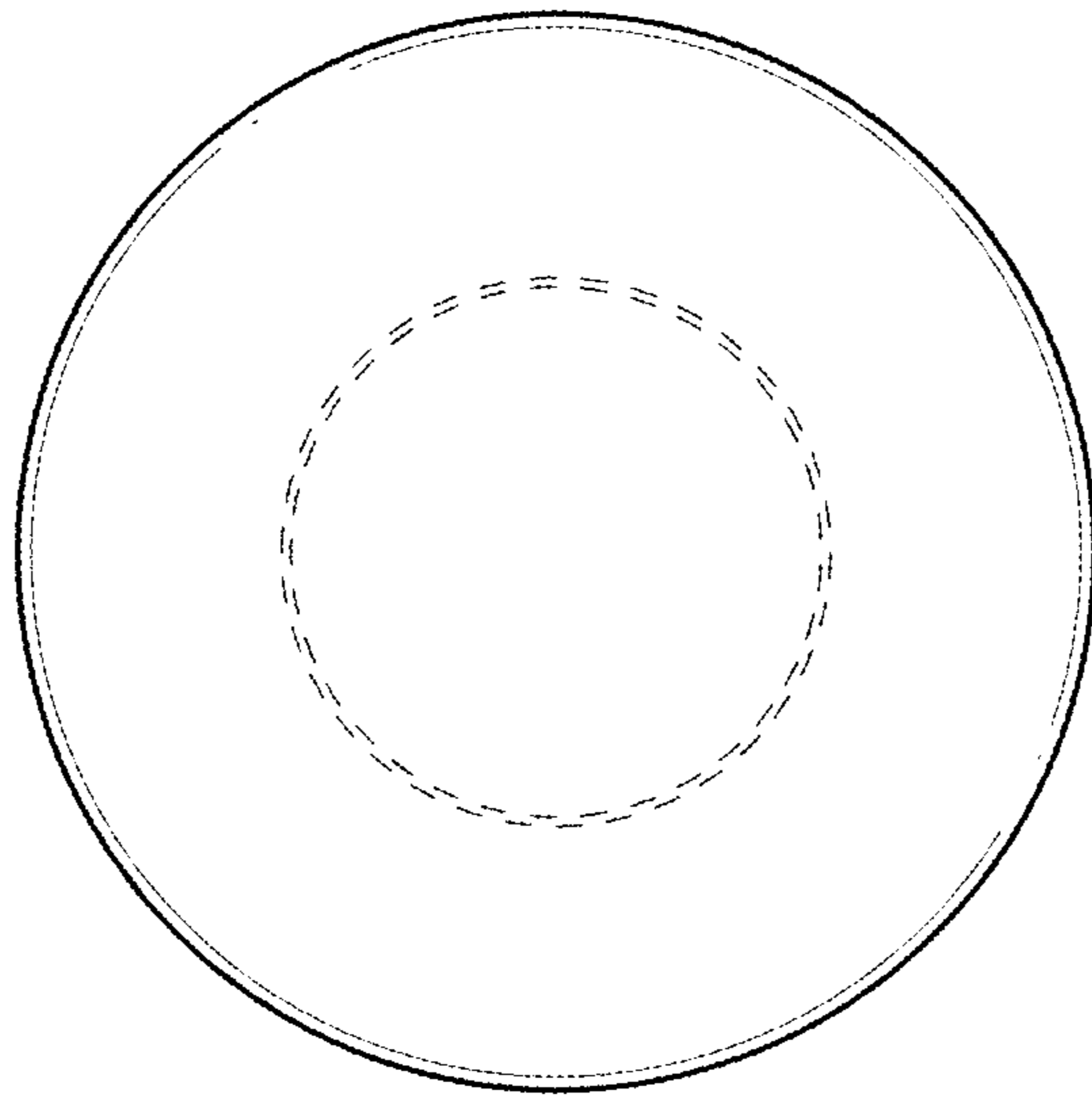


FIG. 7

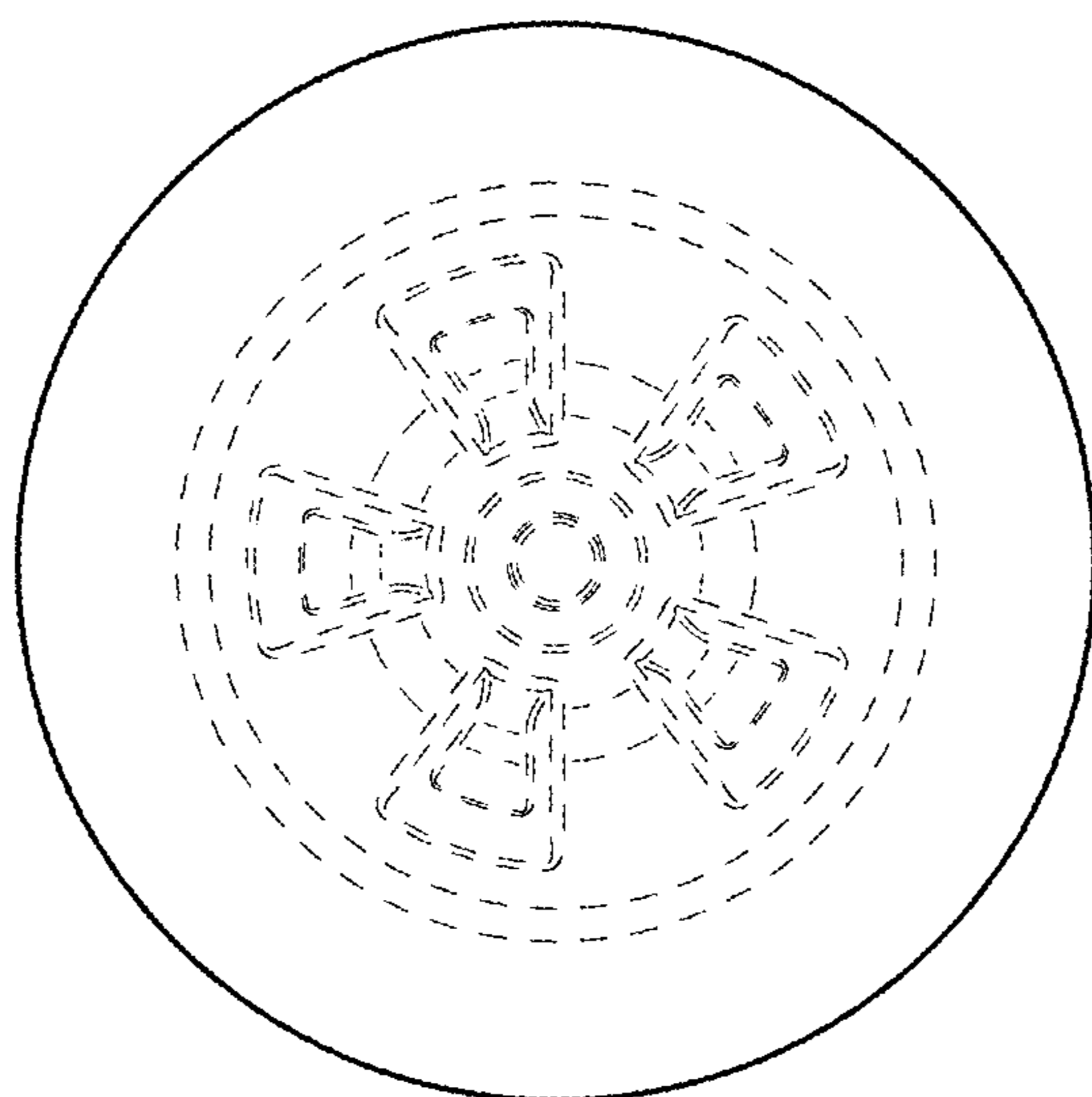


FIG. 8