



US00D887270S

(12) **United States Design Patent** (10) **Patent No.:** **US D887,270 S**
Elizondo (45) **Date of Patent:** **** Jun. 16, 2020**

(54) **PRODUCT SEPARATOR ELEMENT FOR USE INSIDE A PACKAGE**

(71) Applicant: **David Israel Medina Elizondo**, Monterrey (MX)

(72) Inventor: **David Israel Medina Elizondo**, Monterrey (MX)

(**) Term: **15 Years**

(21) Appl. No.: **29/653,494**

(22) Filed: **Jun. 15, 2018**

(30) **Foreign Application Priority Data**

Mar. 28, 2018 (MX) MX/f/2018/000929

(51) **LOC (12) Cl.** **09-07**

(52) **U.S. Cl.**
USPC **D9/456**

(58) **Field of Classification Search**

USPC D6/300, 308, 546, 672, 675, 678.2; D7/300, 305, 306, 307, 308, 312, 313, D7/391, 397, 541, 550.1, 553.1, 553.2, D7/553.3, 555.589, 590, 601, 602, 701; D9/414, 415, 418, 420, 424, 425, 426, D9/430, 432, 433, 434, 455, 456, 457, D9/499, 721, 722, 737, 756, 759, 760, D9/761, 612, 653, 661, 667, 674; D19/3, D19/75, 107; D20/11, 14, 19, 21, 22, 27, D20/40, 42, 43, 44; D14/300, 308, 313, D14/314, 348-356, 441-446, 489, 491, D14/492, 494, 495; D5/6, 7, 11, 23, 25, D5/26, 37, 45, 56, 57, 58, 59.6, 61, 62;

(Continued)

(56) **References Cited**

U.S. PATENT DOCUMENTS

949,958 A * 2/1910 Ferres B65D 5/48038
217/31
1,250,090 A * 12/1917 Carter B65D 5/48038
217/31

(Continued)

OTHER PUBLICATIONS

Cross Functional Mats: Announced Dec. 3rd, 2013 [online]. Site Visited [Sep. 6, 2019]. Available from Internet URL: <http://mikesfitnessequipment.com/foam-puzzle-mats-4-x-6-x-3-4.html>.*

(Continued)

Primary Examiner — Catherine S Posthauer

(74) *Attorney, Agent, or Firm* — Fay Sharpe LLP

(57) **CLAIM**

The ornamental design for a product separator element for use inside a package, as shown and described.

DESCRIPTION

FIG. 1 is a perspective view of a product separator element for use inside a package showing my new design in an assembled position of use;

FIG. 2 is a front view thereof;

FIG. 3 is a rear view thereof;

FIG. 4 is a right side view thereof;

FIG. 5 is a left side view thereof;

FIG. 6 is a top plan view thereof;

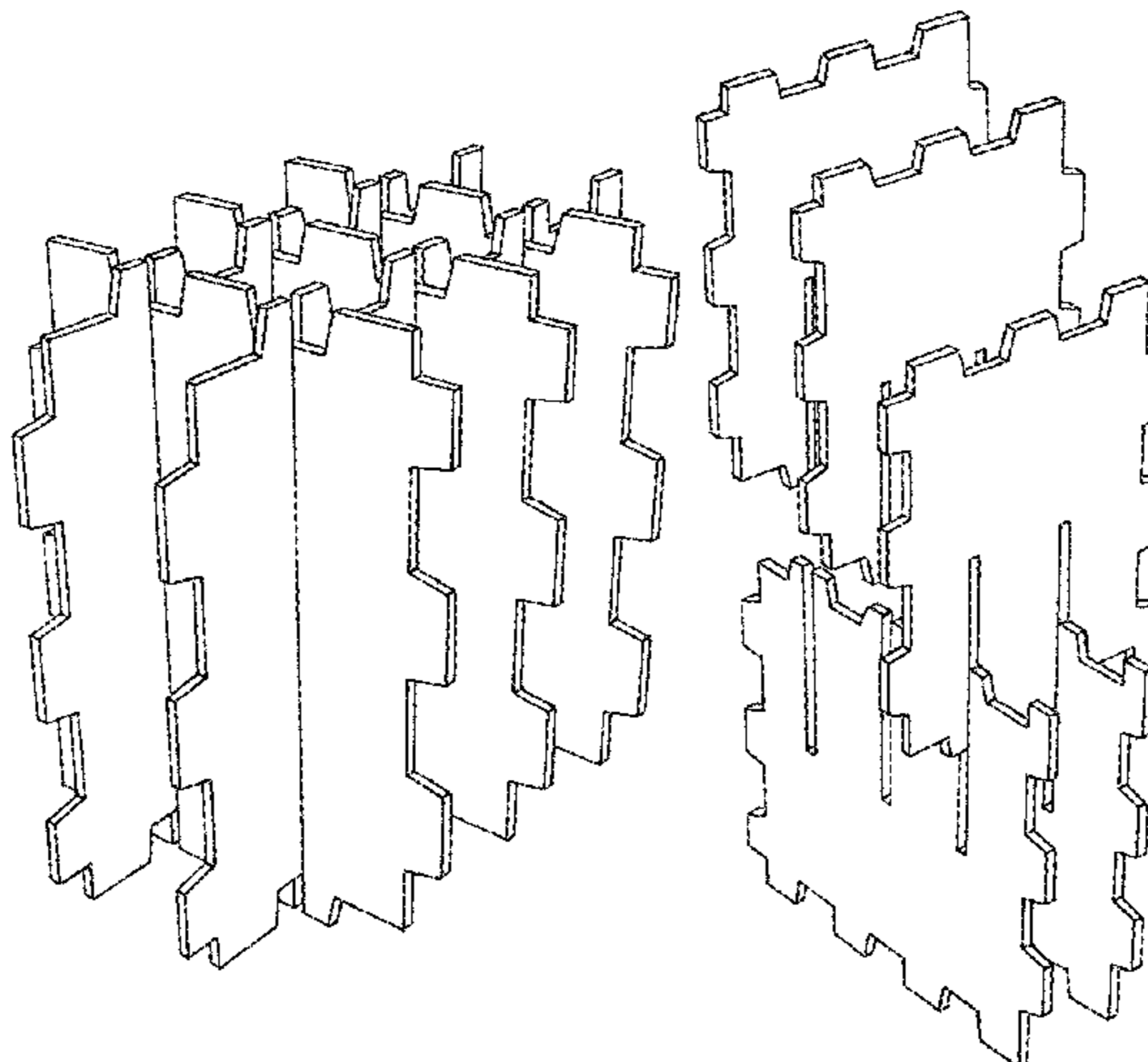
FIG. 7 a bottom plan view thereof;

FIG. 8 is a perspective view thereof, showing the upper portions of the article as disassembled from the lower portions of the article;

FIG. 9 is a front view of a single module of the upper portion of the article, shown separately to show aspects of the design not visible when combined; and,

FIG. 10 is a front of a single module of the lower portion of the article, shown separately to show aspects of the design not visible when combined.

1 Claim, 9 Drawing Sheets



US D887,270 S

(58) **Field of Classification Search**

USPC D21/138, 478, 479, 483, 484, 792;
 D25/27, 58, 61, 138, 142
 CPC A47J 47/20; B65D 21/083; B65D 21/086;
 B65D 57/00; B65D 61/02; B65D 81/133;
 B65D 5/01; B65D 5/02; B65D 5/0254;
 B65D 5/0045; B65D 5/18; B65D 5/2033;
 B65D 5/38; B65D 5/40; B65D 5/48038;
 B65D 5/48032; B65D 5/48004; B65D
 1/24; B65D 1/34; B65D 1/38; B65D
 1/335; B65D 77/24; B65D 77/067; B65D
 5/00-02; B65D 5/0209-0272; B65D
 5/029; B65D 5/72; B65D 5/541; B65D
 5/705; B65D 5/706; B65D 5/727; B65D
 5/4204; B65D 1/00; B65D 1/02; B65D
 1/0233; B65D 1/22; B65D 1/32; B65D
 1/36; B65D 1/40; B65D 1/225; B65D
 23/00; B65D 23/12; B65D 23/14; B65D
 2543/00296; B65D 15/08; B65D 65/22;
 A47L 13/00; A47L 13/10; A47L 13/12;
 A47L 13/16; A47L 13/17; A47L 13/18

See application file for complete search history.

(56) **References Cited**

U.S. PATENT DOCUMENTS

1,785,416 A * 12/1930 La Bombard B65D 5/48038
 217/30
 1,978,719 A * 10/1934 Parnin B65D 5/48038
 217/32
 1,984,609 A * 12/1934 Walker B65D 5/48032
 229/120.03
 2,045,183 A * 6/1936 Fowle B65D 5/48038
 426/119
 2,268,637 A * 1/1942 Bernstein B65D 5/48038
 217/31
 2,382,240 A * 8/1945 Lesavoy B65D 5/48038
 206/418
 2,489,528 A * 11/1949 Goldstein B65D 5/48038
 217/31
 2,673,656 A * 3/1954 Cunningham B65D 5/48038
 217/32
 2,717,713 A * 9/1955 Wasyluka B65D 5/48032
 217/31
 2,875,942 A * 3/1959 Wilson B65D 5/2033
 229/109
 2,925,209 A * 2/1960 Wasyluka B65D 5/48032
 229/120.25
 3,039,667 A * 6/1962 Kozlik B65D 5/48026
 229/120.012
 3,072,246 A * 1/1963 Goldstein B65D 5/4233
 206/745
 3,306,439 A * 2/1967 Storey B65D 5/48038
 206/392
 3,511,404 A * 5/1970 Pearson B65D 5/48038
 217/31
 3,549,007 A * 12/1970 Charrier B65D 5/48038
 206/427
 3,702,170 A * 11/1972 Adams B65D 5/48032
 229/120.25
 3,749,299 A * 7/1973 Ingle B65D 5/18
 229/120.34
 3,767,106 A * 10/1973 Morgan B65D 5/48038
 229/120.36
 3,901,962 A * 8/1975 Kuchuris B26D 3/006
 264/154
 3,942,709 A * 3/1976 Gepfer B65D 5/48038
 229/120.36
 3,942,837 A * 3/1976 Engle B65D 5/48038
 229/120.36
 3,948,435 A * 4/1976 Palmer B65D 5/48038
 229/120.36

4,000,845 A * 1/1977 Zeller B65D 5/48038
 229/120.36
 4,067,492 A * 1/1978 Gargan B65D 5/48032
 229/120.24
 4,094,454 A * 6/1978 Snyder B65D 5/48038
 229/120.02
 4,187,975 A * 2/1980 Shepherd B65D 5/48038
 217/31
 4,437,713 A * 3/1984 Roach A47B 43/02
 206/526
 4,469,272 A * 9/1984 McFadden B65D 5/2047
 229/112
 4,492,332 A * 1/1985 Collins B65D 5/48038
 229/120.36
 4,591,090 A * 5/1986 Collins B65D 5/48038
 217/32
 4,621,764 A * 11/1986 Ragon B65D 5/48038
 229/120.31
 4,703,855 A * 11/1987 Moe B65D 5/48038
 206/427
 4,746,053 A * 5/1988 Nichols B65D 5/48038
 217/30
 D298,413 S * 11/1988 Raudat D9/456
 D321,653 S * 11/1991 Elgner D9/434
 5,597,113 A * 1/1997 Bradford B29C 65/02
 229/120.07
 5,626,284 A * 5/1997 Franzen B65D 5/48038
 229/120.36
 5,732,876 A * 3/1998 Bradford B29C 65/028
 229/120.07
 5,785,239 A * 7/1998 Campbell, II B65D 5/48038
 217/22
 5,788,146 A * 8/1998 Bradford B29C 65/02
 229/120.07
 D407,013 S * 3/1999 Armondo D9/760
 6,059,181 A * 5/2000 Marbry B65D 5/48024
 206/499
 6,293,405 B1 * 9/2001 Burch, Jr. B65D 5/48038
 206/427
 D452,414 S * 12/2001 Miller D7/306
 6,669,082 B1 * 12/2003 Meyer B65D 5/48038
 229/120.29
 D613,164 S * 4/2010 Lee D9/456
 D813,419 S * 3/2018 Ollila D25/119
 2003/0222129 A1 * 12/2003 Williams B65D 5/48004
 229/120.31
 2004/0256447 A1 * 12/2004 Duke B65D 5/48038
 229/120.36
 2006/0086779 A1 * 4/2006 Meyer B65D 5/48038
 229/120.32
 2006/0124713 A1 * 6/2006 Bos B65D 5/48038
 229/120.36
 2006/0157488 A1 * 7/2006 Nyeboer B31D 1/0043
 220/552
 2007/0095883 A1 * 5/2007 Boehm B65D 5/48038
 229/120.36
 2007/0251858 A1 * 11/2007 Martinez B65D 5/48032
 206/703
 2007/0256296 A1 * 11/2007 Campbell B23P 19/00
 29/739
 2010/0179040 A1 * 7/2010 Bale B31D 5/0013
 493/91
 2016/0194107 A1 * 7/2016 Tran B65D 5/48038
 206/426
 2017/0275069 A1 * 9/2017 Wells B65D 65/403
 2019/0248544 A1 * 8/2019 Hu B65D 21/086

OTHER PUBLICATIONS

Chase Partitions: Announced Feb. 9, 2017 [online]. Site Visited [Sep. 6, 2019]. Available from Internet URL: <http://www.chasepartitions.com/products.html>.*

* cited by examiner

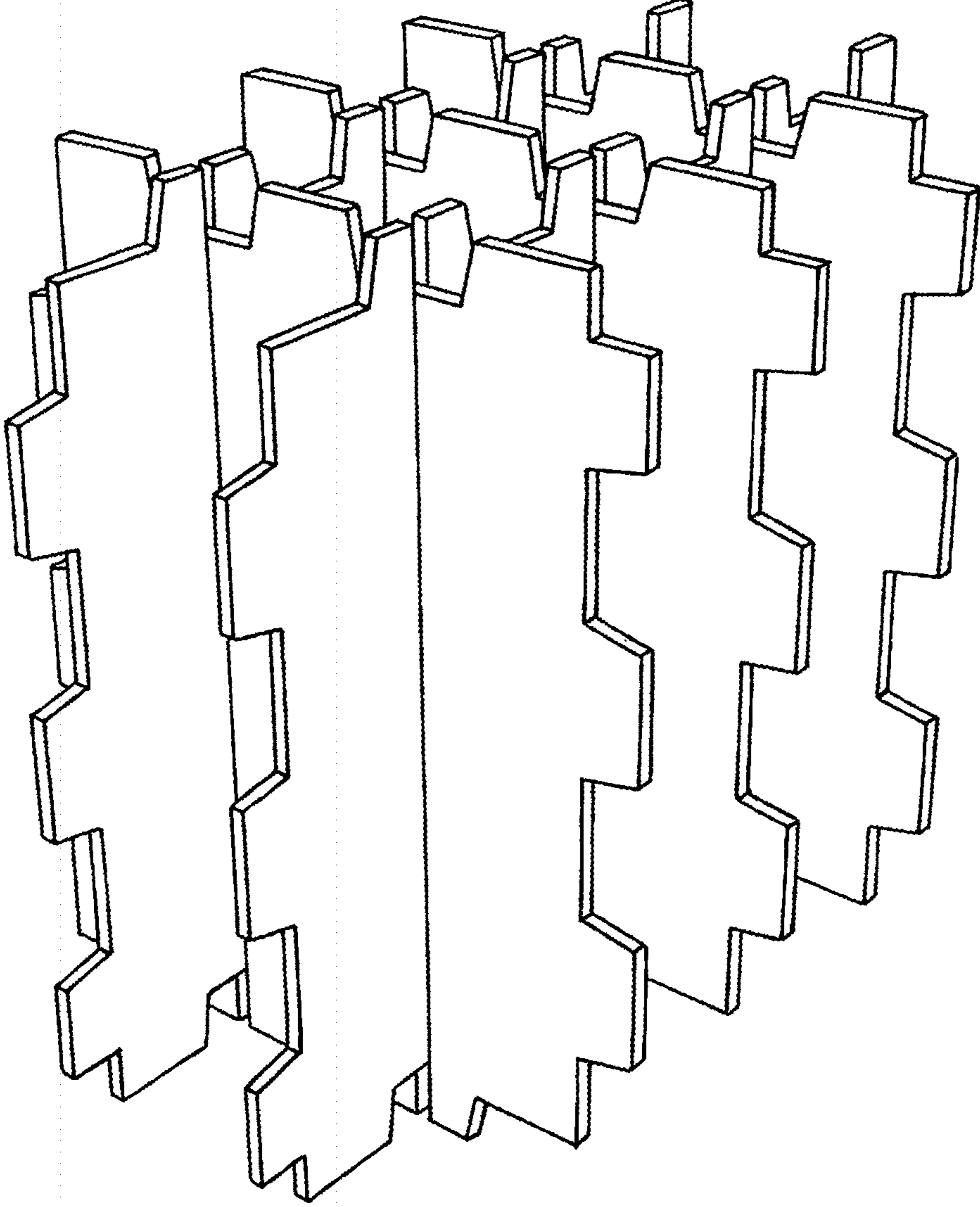


FIG. 1

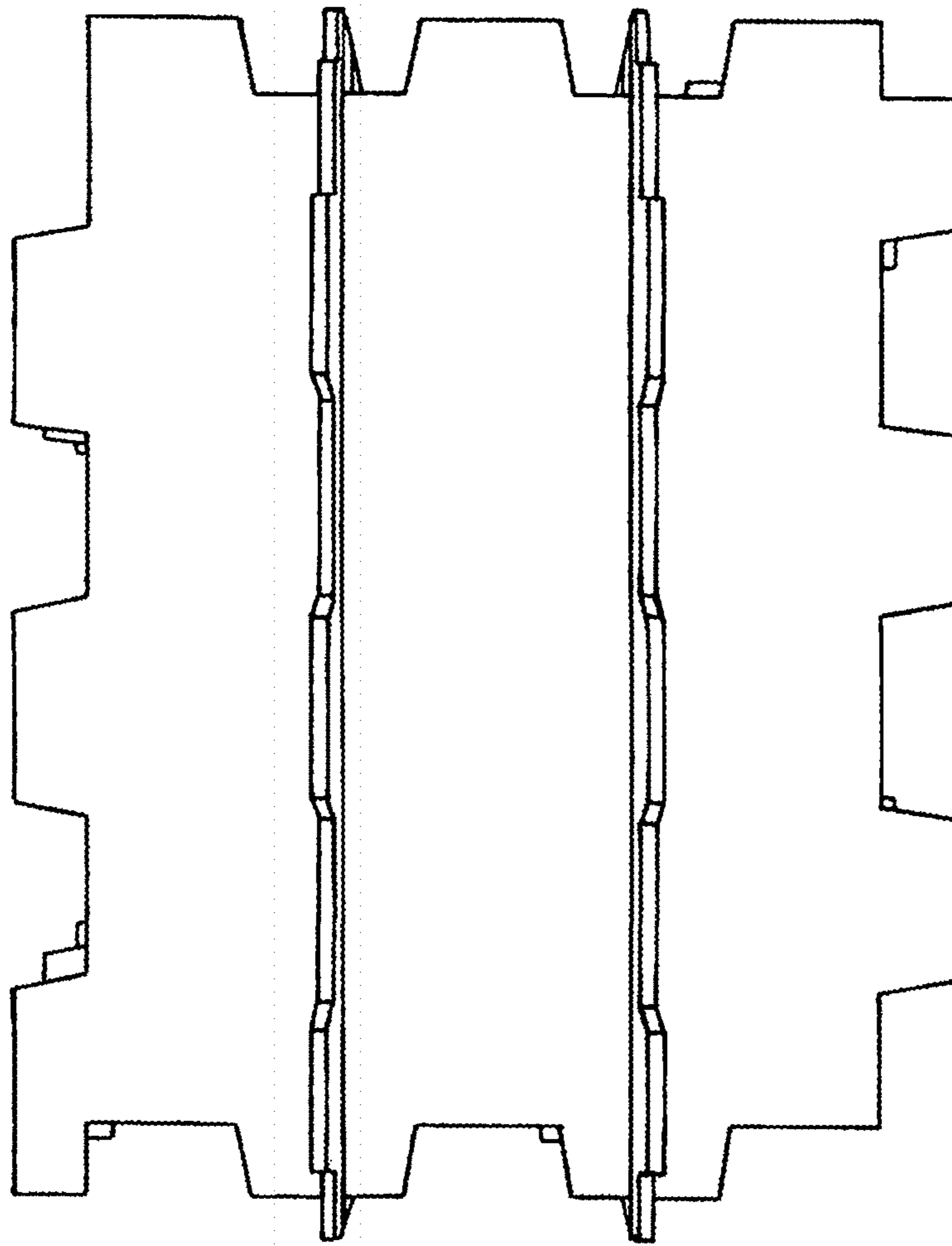


FIG. 2

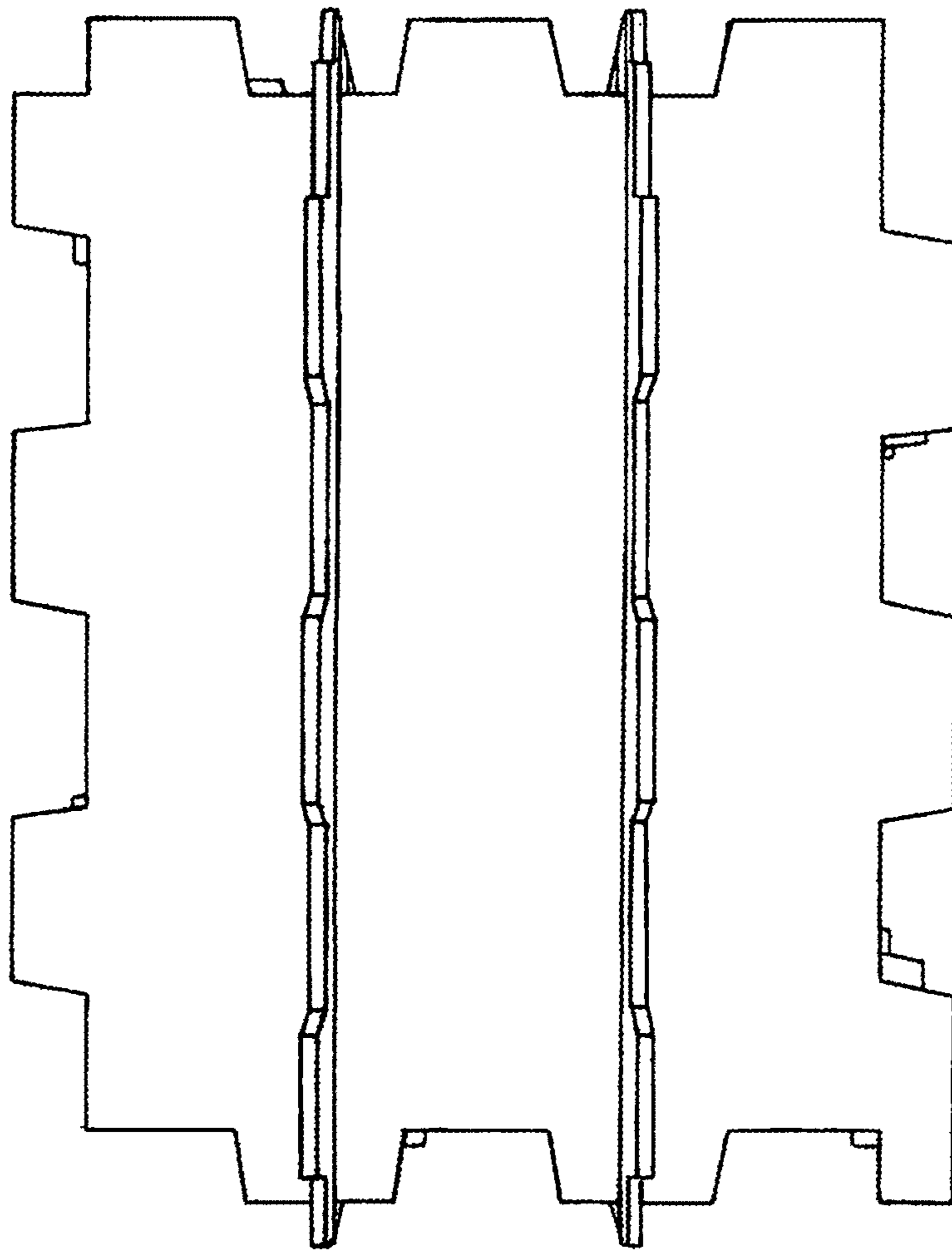


FIG. 3

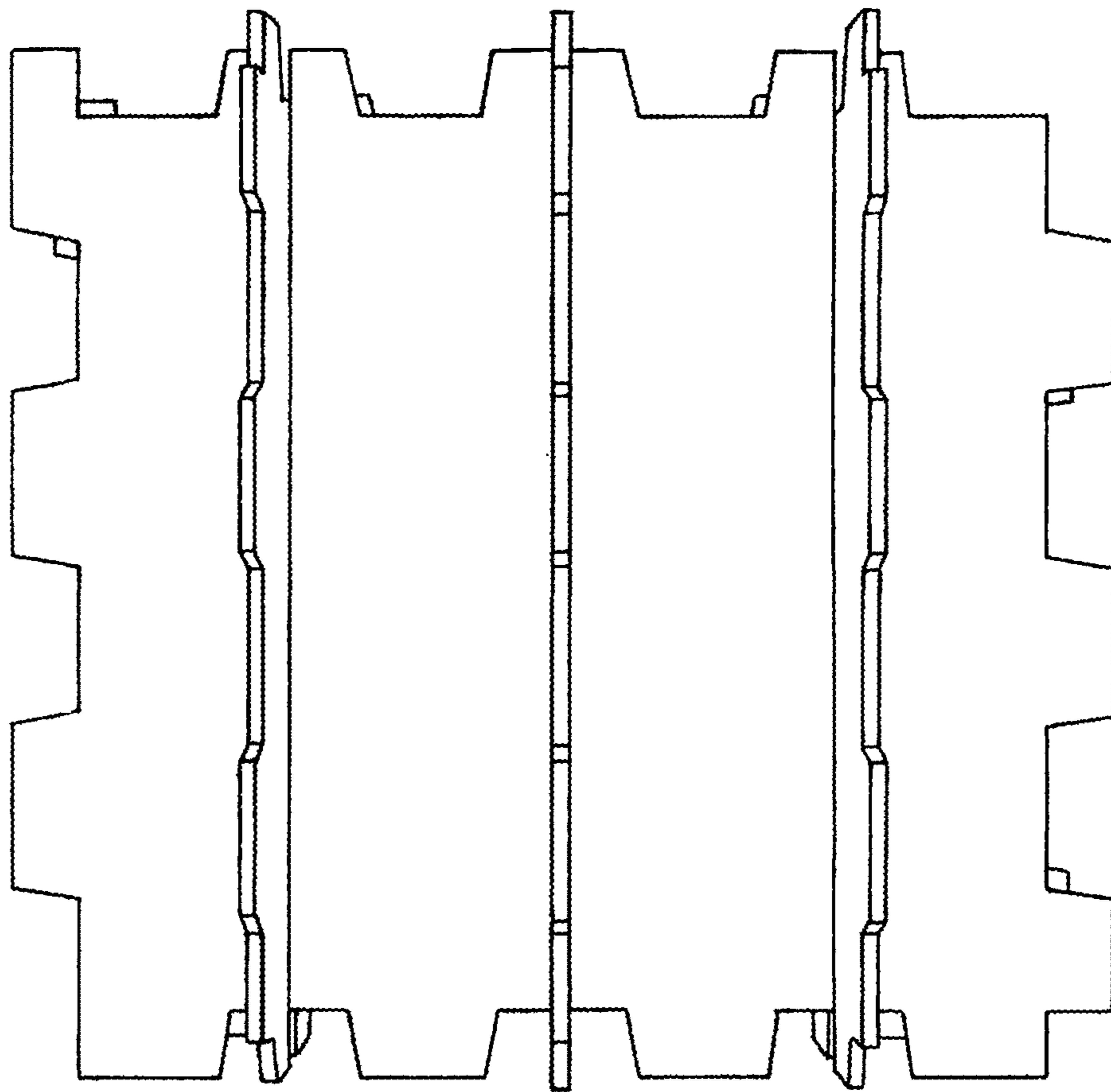


FIG. 4

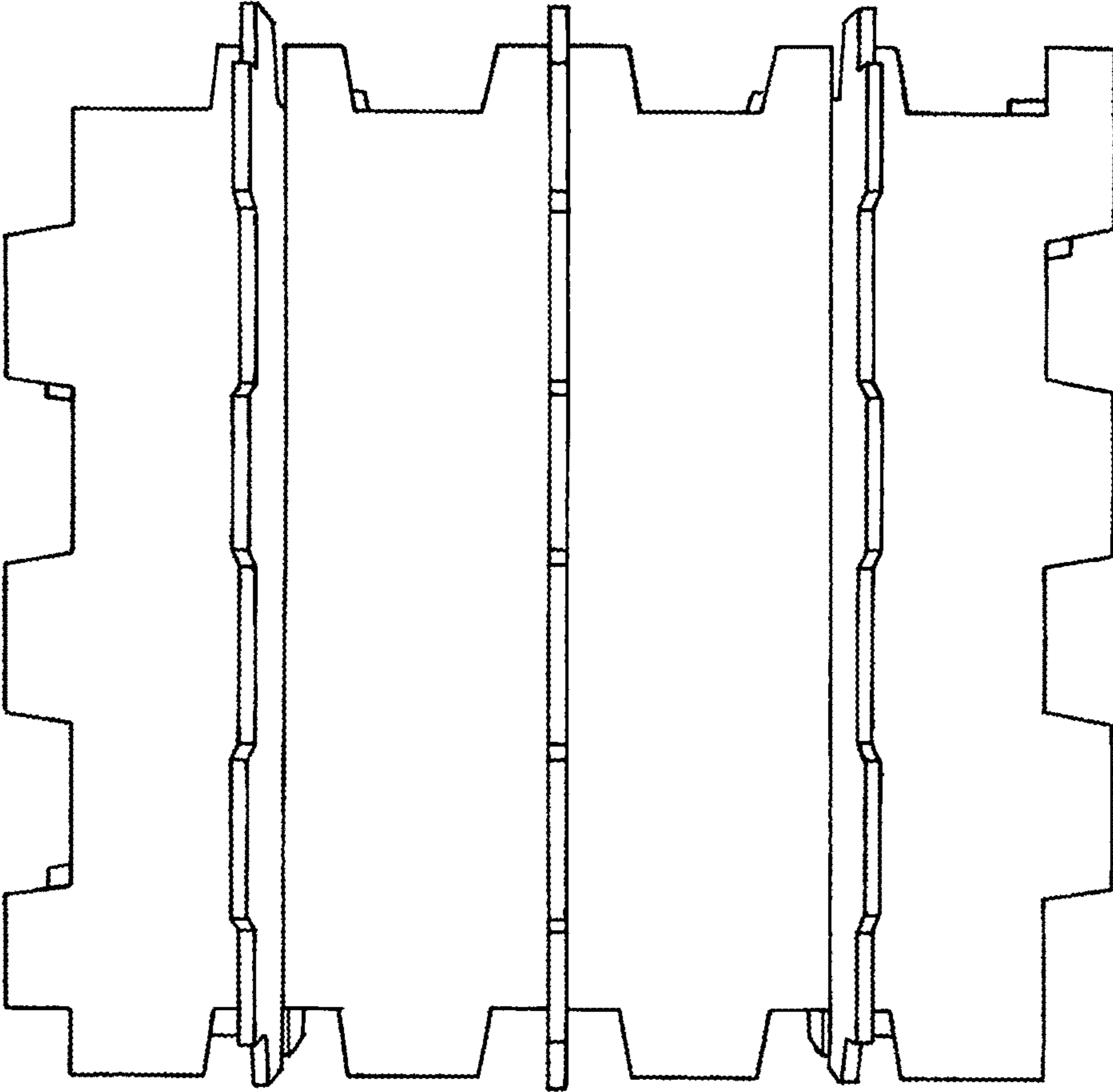


FIG. 5

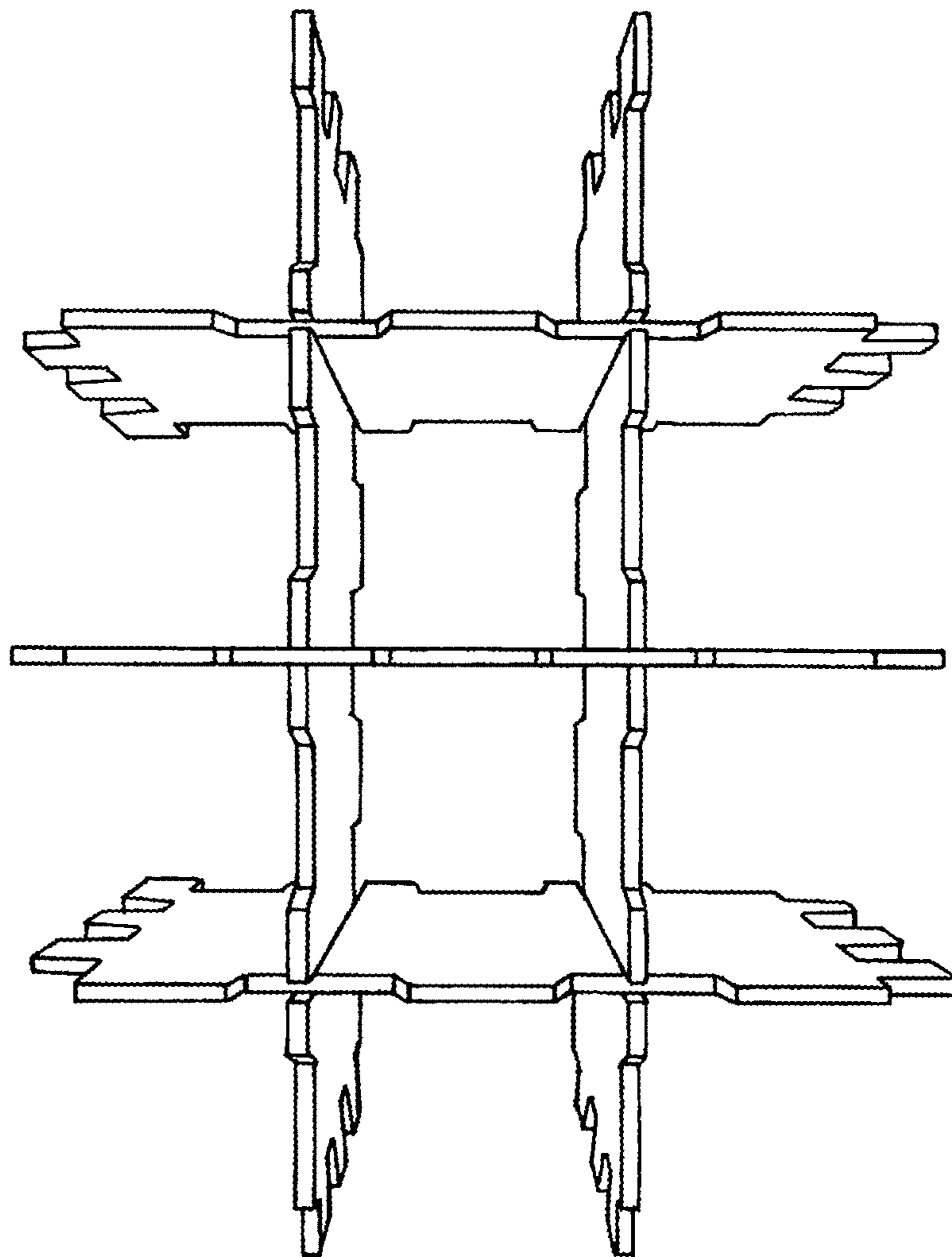


FIG. 6

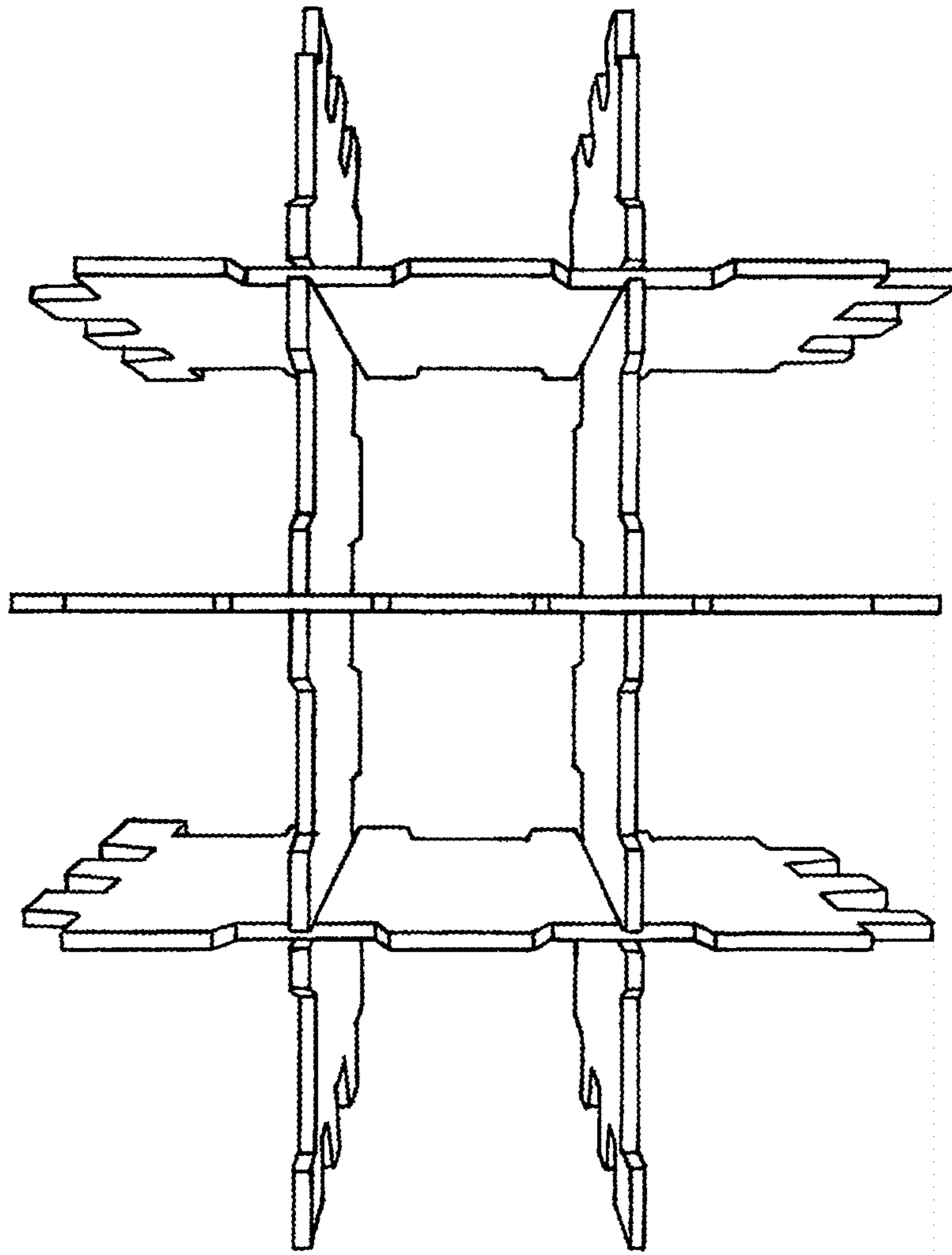


FIG. 7

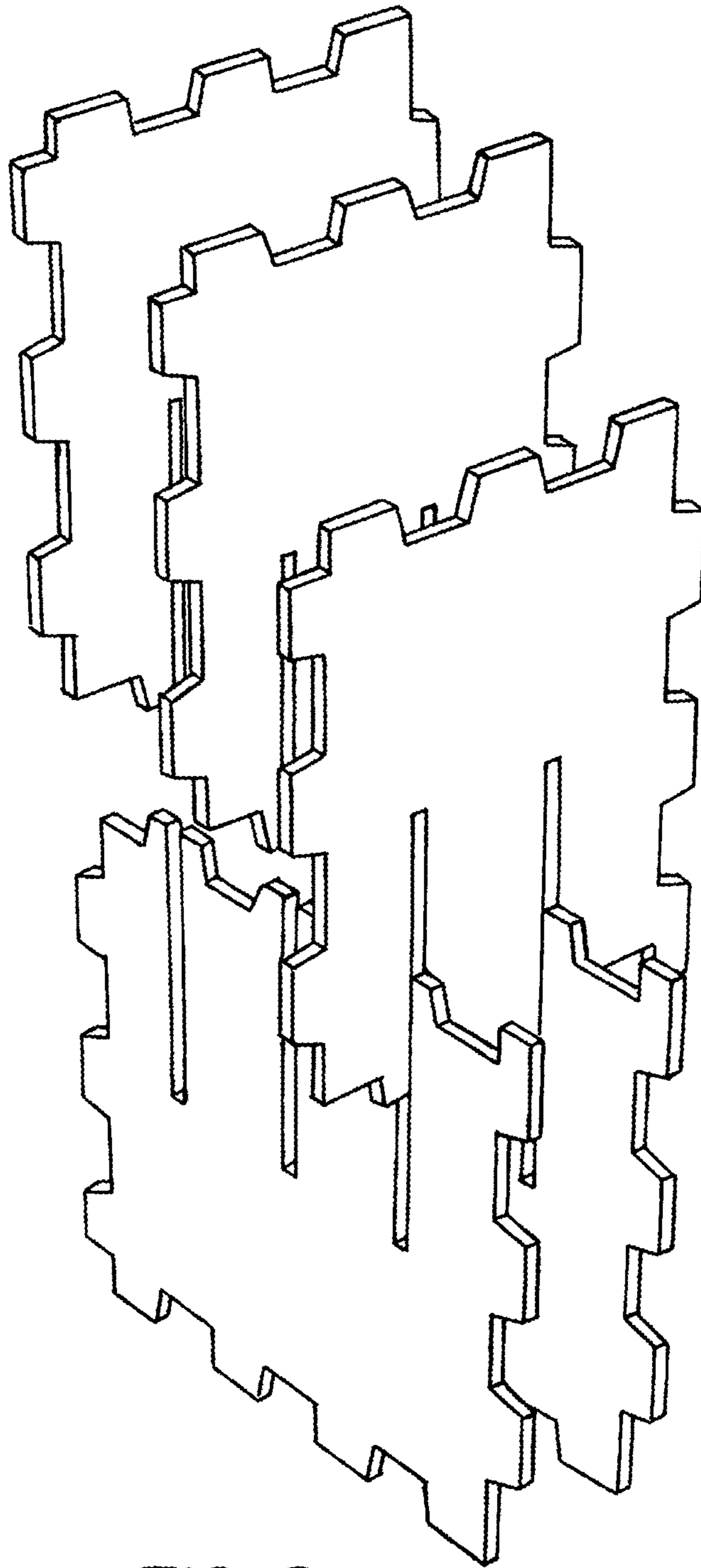


FIG. 8

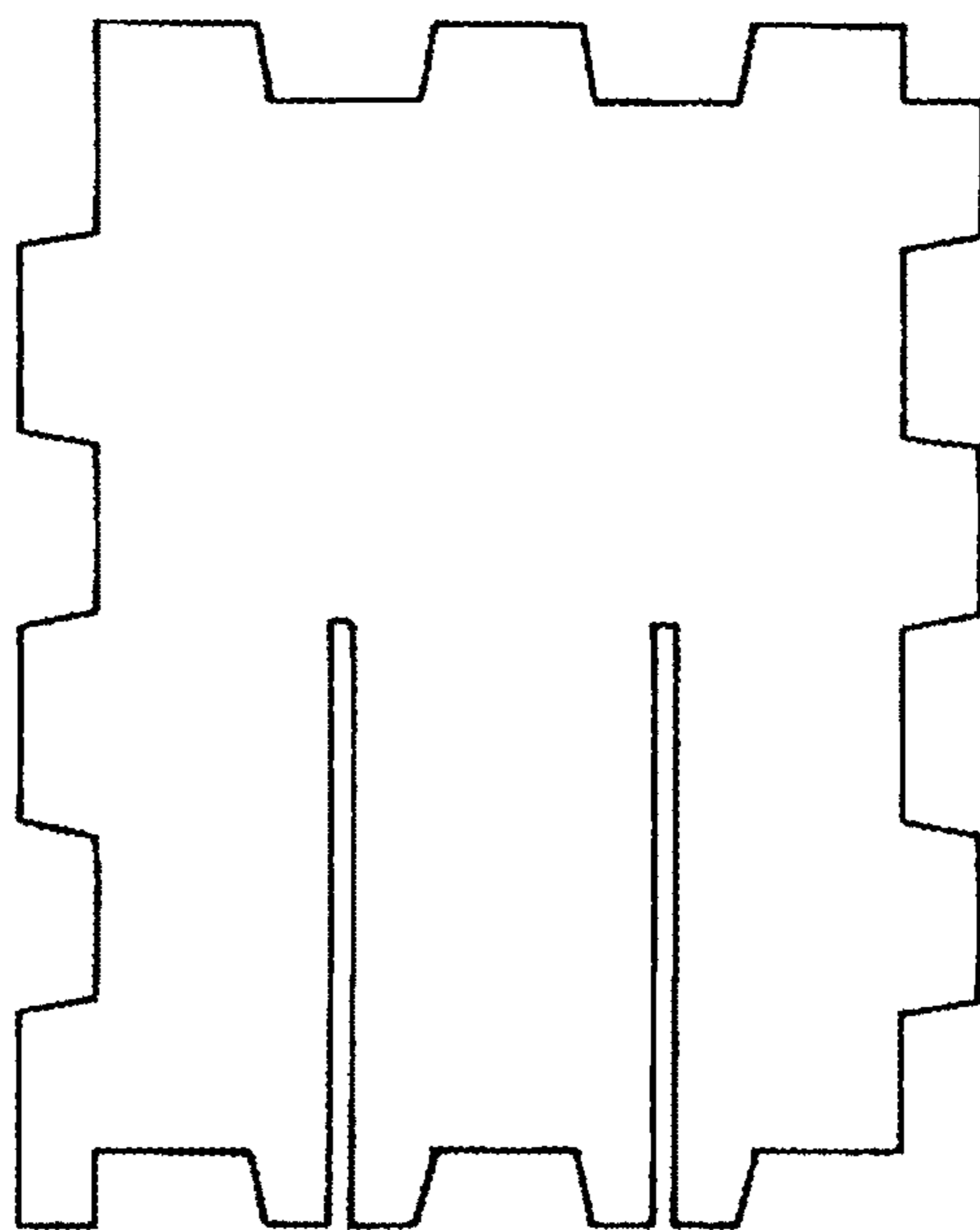


FIG. 9

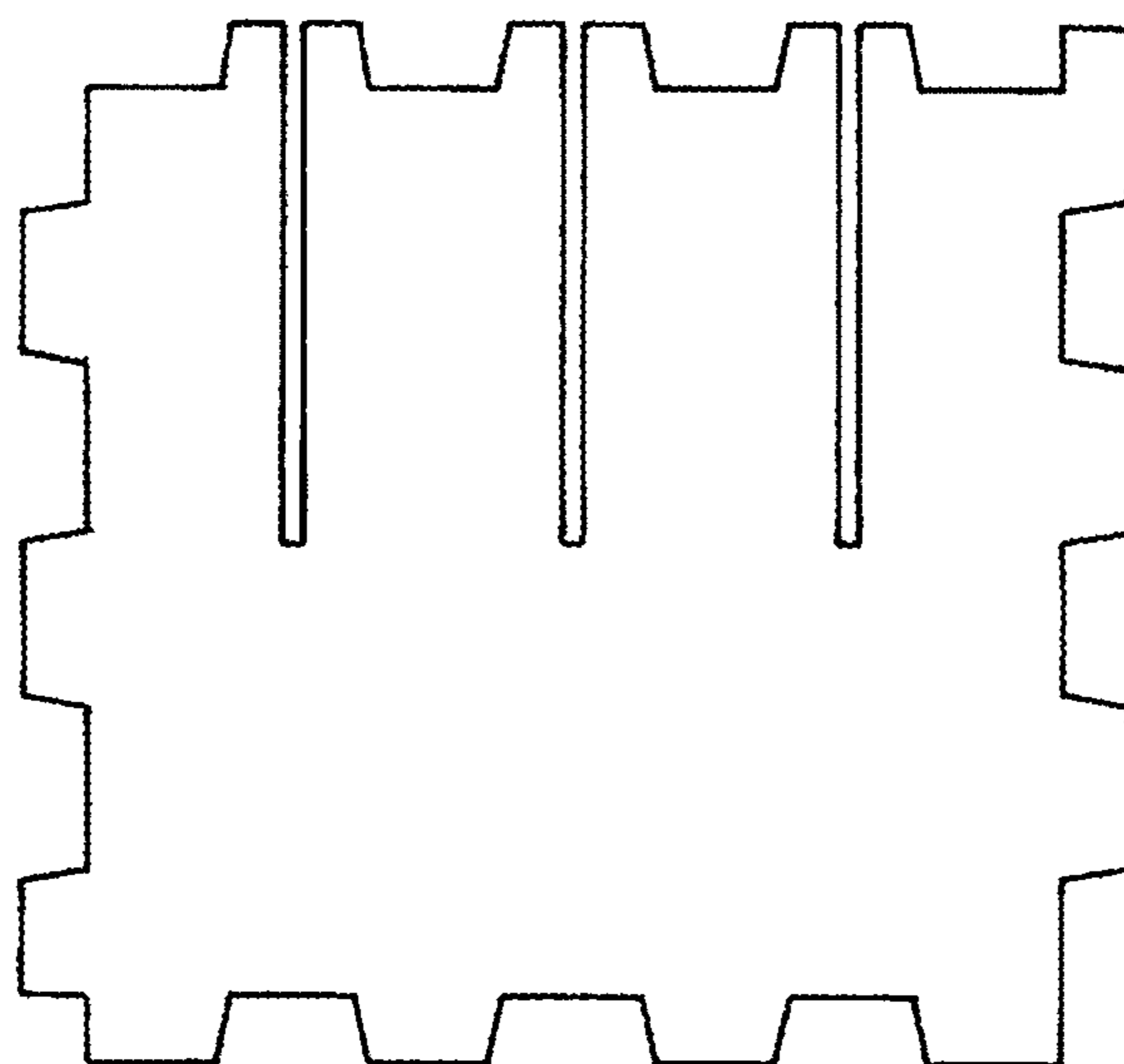


FIG. 10