



US00D887269S

(12) **United States Design Patent**
Marik

(10) **Patent No.:** **US D887,269 S**

(45) **Date of Patent:** **** Jun. 16, 2020**

(54) **SPOUT FOR A CONTAINER**

(71) Applicant: **B.R. Tenant, Inc.**, Des Plaines, IL (US)

(72) Inventor: **Barbara Marik**, Des Plaines, IL (US)

(**) Term: **15 Years**

(21) Appl. No.: **29/668,680**

(22) Filed: **Nov. 1, 2018**

(51) **LOC (12) Cl.** **09-07**

(52) **U.S. Cl.**

USPC **D9/453; D9/447**

(58) **Field of Classification Search**

USPC D7/387, 391, 392, 392.1, 396.1, 396.2,
D7/397, 398, 401.1, 415; D9/503, 504,
D9/505, 516, 529, 548, 549, 434, 435,
D9/436, 439, 440, 448, 453, 454, 726,
D9/695, 696, 707, 708, 712, 447, 723,
D9/724, 727; D19/115, 192, 194;
D23/213, 226, 249, 255; D24/111, 112,
D24/119, 127, 130, 141, 169, 193, 194,
D24/196, 197, 199, 222, 224; D27/194
CPC B65D 47/103; B65D 43/0222; B65D
2543/00046; B65D 2543/00092; B65D
25/48; A47G 19/2272; B65B 1/04; B65B
29/06; B05B 11/3059; B05B 11/0027;
B05B 11/0032; B05B 11/3004; B05B
11/3015; B05B 11/306; B05B 11/3064;
G03B 11/041; F16M 11/08; A61J 1/06;
A61J 1/065; A61J 1/2093; A61J 1/201

See application file for complete search history.

(56) **References Cited**

U.S. PATENT DOCUMENTS

1,763,316 A * 6/1930 Miller B65D 25/48
222/543
D172,777 S * 8/1954 Bernabo D9/447
D198,735 S * 7/1964 McWayne D24/112

D204,352 S * 4/1966 Eizenberg D24/130
D223,339 S * 4/1972 Marg D9/436
D242,327 S * 11/1976 Schneider D9/447
D254,445 S * 3/1980 Boghosian D24/224
D277,786 S * 2/1985 Hellman D24/224
D299,865 S * 2/1989 Kamstrup-Larsen D24/130
D302,296 S * 7/1989 Harmony D24/130
D307,796 S * 5/1990 Hanifl D24/130
D318,233 S * 7/1991 Ackerman D9/434
D326,322 S * 5/1992 Clegg D24/112
D327,327 S * 6/1992 Deguchi D24/130
D335,256 S * 5/1993 Slavin D9/724
D338,159 S * 8/1993 Densky D9/453
D358,464 S * 5/1995 Anderson D24/112
D379,304 S * 5/1997 Bova D9/447
D406,336 S * 3/1999 Ernesto D24/112
6,238,352 B1 * 5/2001 Gillings A61B 5/087
600/529
D447,949 S * 9/2001 Richardson D9/435
D452,311 S * 12/2001 Guala D24/112
D454,394 S * 3/2002 Jansen D24/130
D520,106 S * 5/2006 Jones D23/213
D563,798 S * 3/2008 Gibson D9/724
D584,150 S * 1/2009 Gibson D9/445

(Continued)

Primary Examiner — Catherine S Posthauer

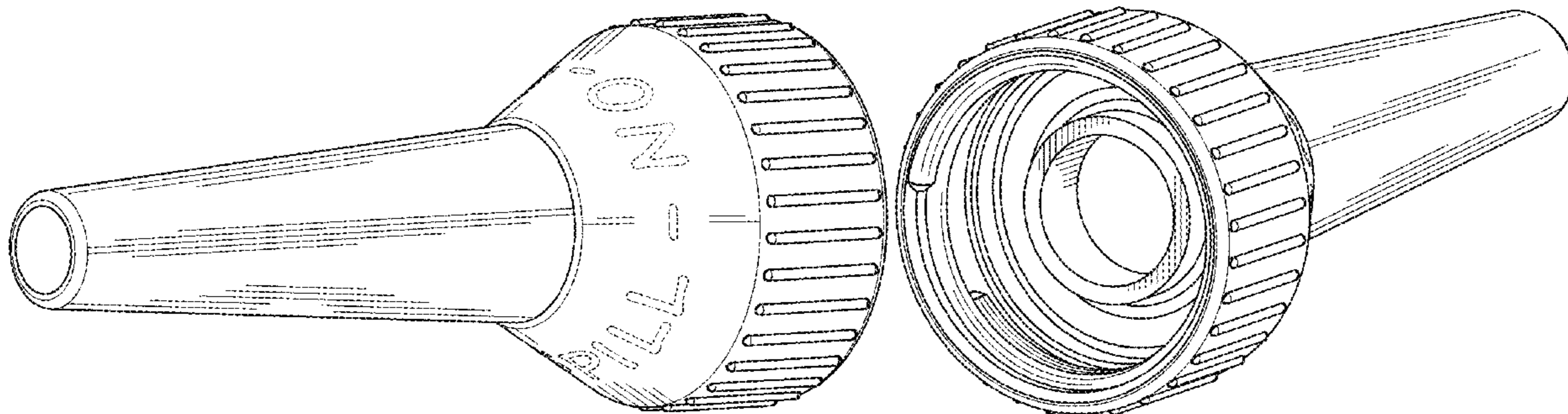
(57) **CLAIM**

The ornamental design for the spout for a container, as shown and described.

DESCRIPTION

FIG. 1 is a perspective view of a spout for a container showing my new design;
FIG. 2 is another perspective view thereof;
FIG. 3 is a side view thereof, with other side views being substantially similar;
FIG. 4 is a top view thereof; and,
FIG. 5 is a bottom view thereof.
The broken lines are shown for the purpose of illustrating parts of the article that form no part of the claim.

1 Claim, 2 Drawing Sheets



(56)

References Cited

U.S. PATENT DOCUMENTS

| | | | | | | |
|--------------|----|---|---------|--------------|-------|-------------------------|
| D586,912 | S | * | 2/2009 | Py | | D24/112 |
| D633,384 | S | * | 3/2011 | Tanaka | | D9/447 |
| D663,042 | S | * | 7/2012 | Motade | | D24/222 |
| D679,828 | S | * | 4/2013 | Motadel | | D24/222 |
| D687,563 | S | * | 8/2013 | Tamura | | D24/222 |
| D691,040 | S | * | 10/2013 | Wade | | D9/440 |
| D719,826 | S | * | 12/2014 | Burnside | | D9/447 |
| D741,003 | S | * | 10/2015 | Von Schoultz | | D27/194 |
| D748,476 | S | * | 2/2016 | Lakstins | | D9/447 |
| D773,655 | S | * | 12/2016 | Hofstetter | | D24/127 |
| D777,317 | S | * | 1/2017 | Soual | | D24/112 |
| D790,341 | S | * | 6/2017 | Ross | | D9/447 |
| D801,830 | S | * | 11/2017 | Zhang | | D9/724 |
| D817,168 | S | * | 5/2018 | Barabino | | D9/447 |
| D818,823 | S | * | 5/2018 | Blachford | | D9/447 |
| D846,143 | S | * | 4/2019 | Ito | | D24/222 |
| D852,042 | S | * | 6/2019 | Dahbura | | D9/503 |
| 2010/0032432 | A1 | * | 2/2010 | Stull, Sr. | | B65D 47/10 220/257.1 |

* cited by examiner

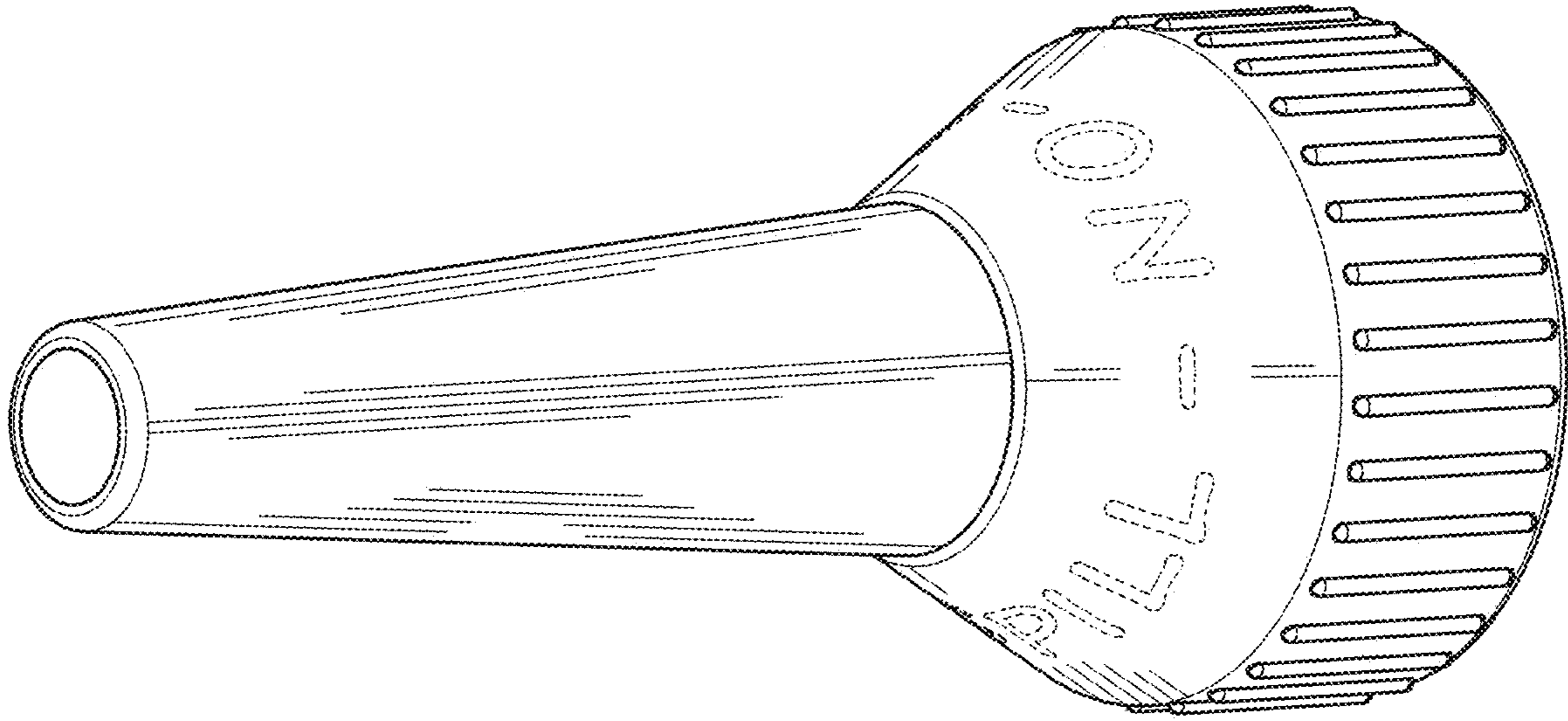


FIG. 1

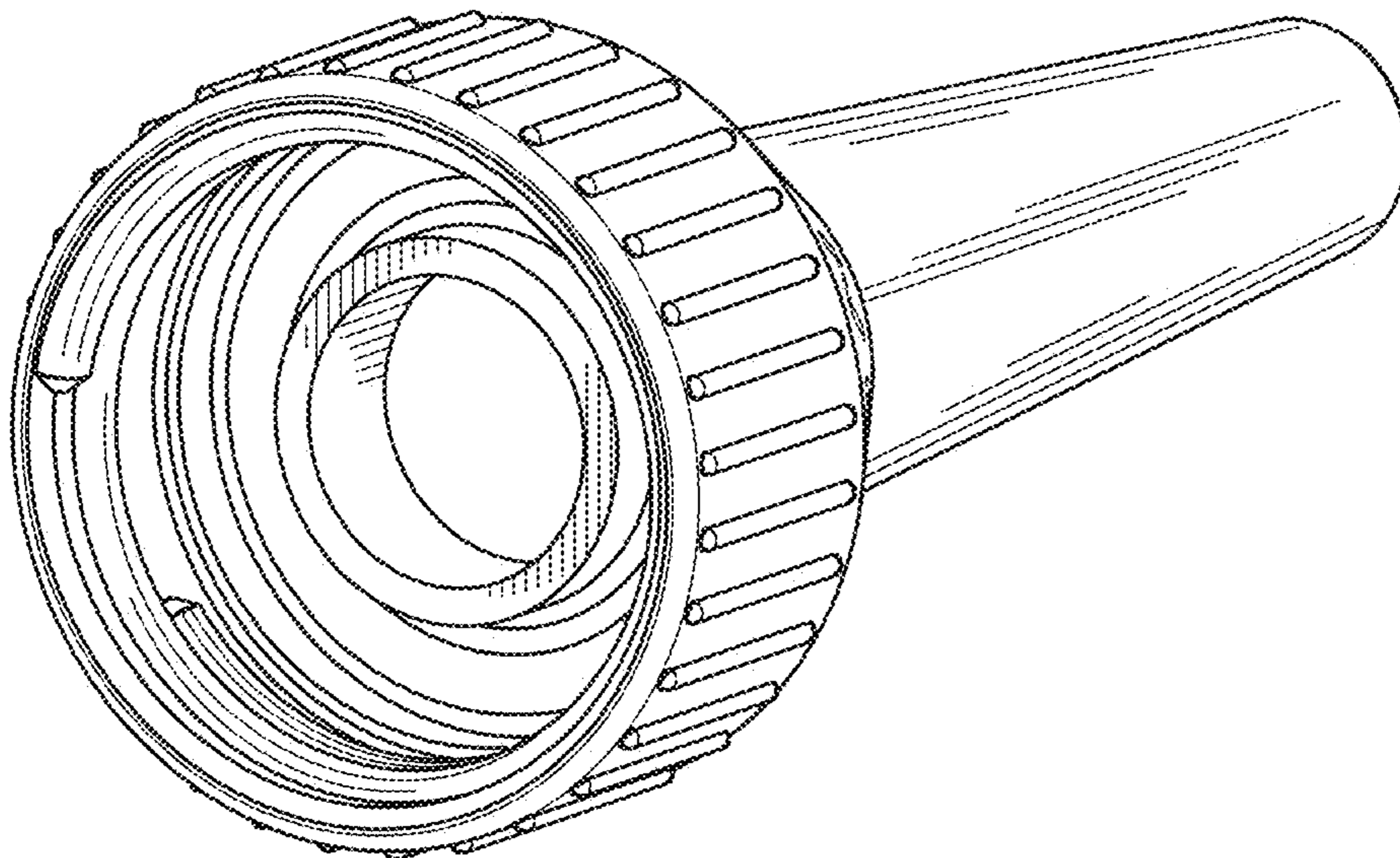


FIG. 2

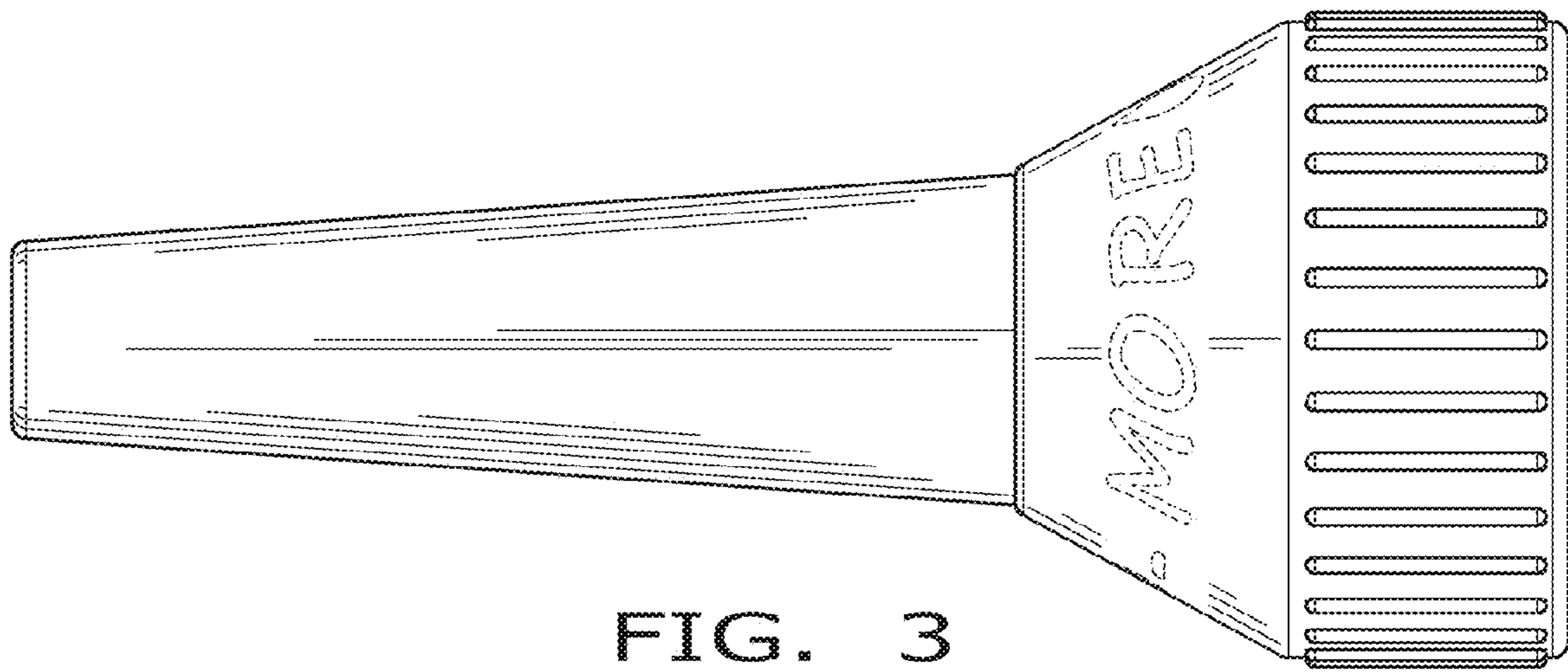


FIG. 3

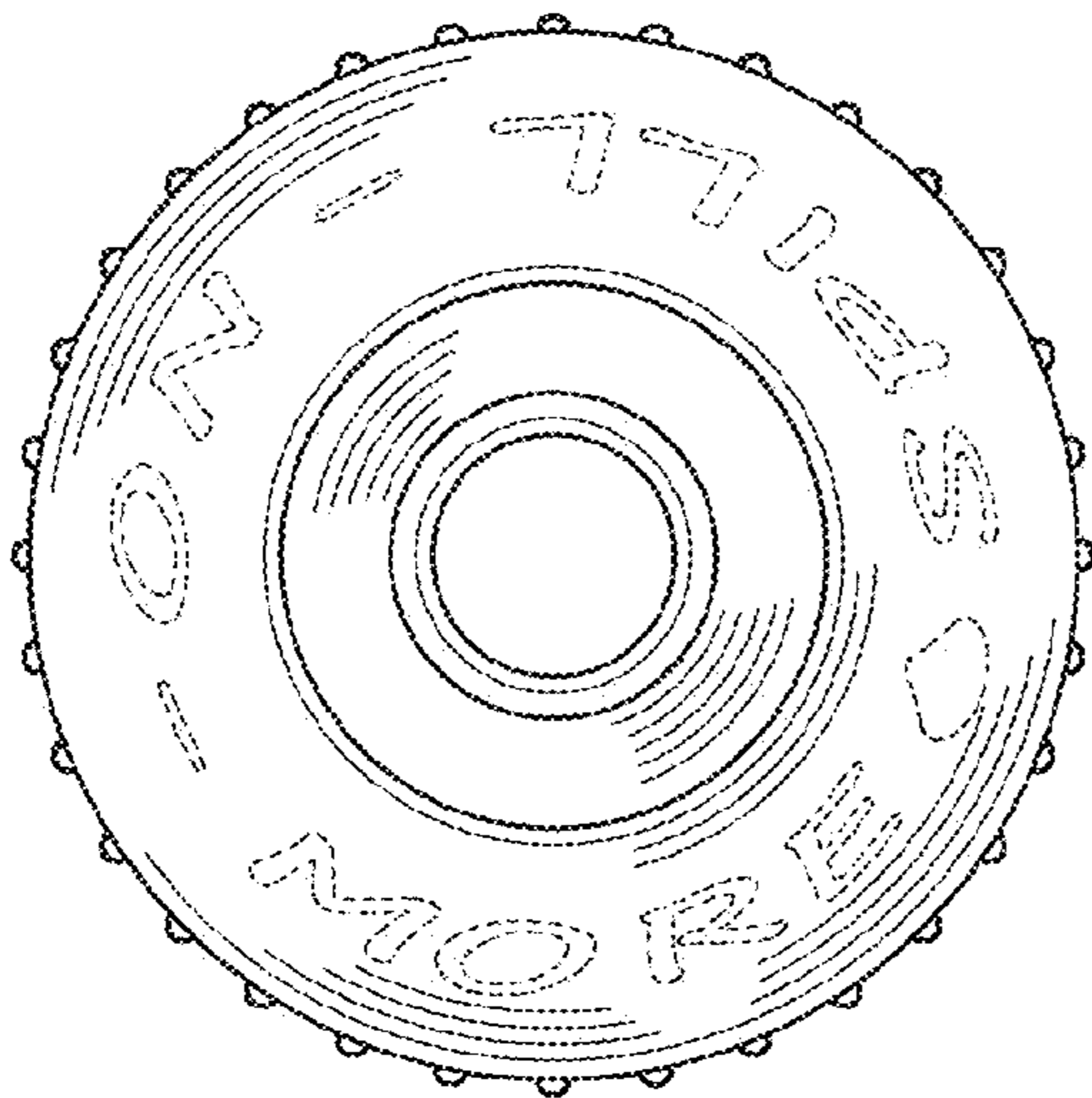


FIG. 4

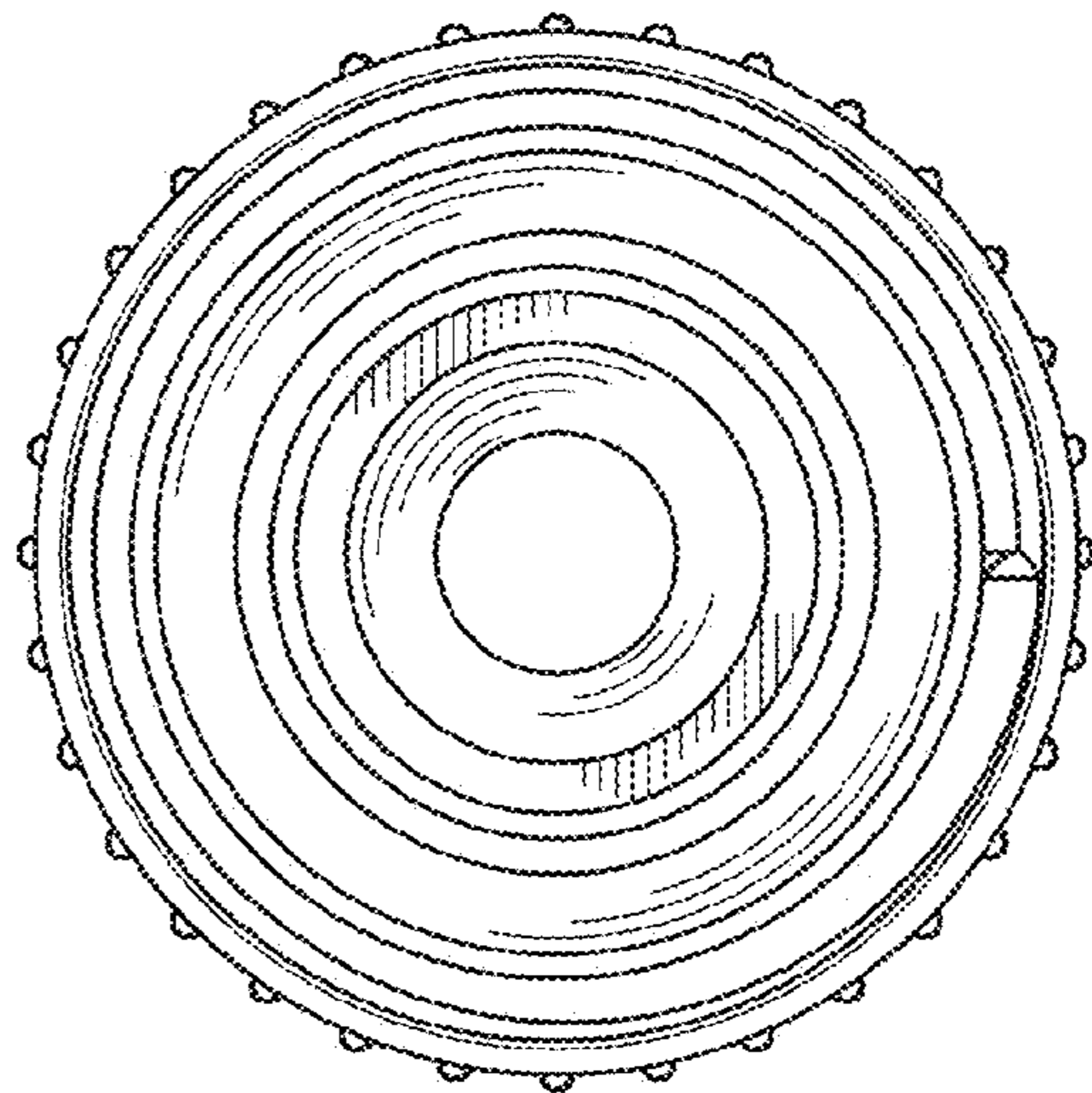


FIG. 5