



US00D887266S

(12) **United States Design Patent**
Hudson et al.

(10) **Patent No.:** **US D887,266 S**
(45) **Date of Patent:** **** Jun. 16, 2020**

(54) **STORAGE CONTAINER LID**

(71) Applicant: **SWIMC LLC**, Cleveland, OH (US)

(72) Inventors: **Richard D. Hudson**, North Olmsted, OH (US); **James J. Johnson**, Lake Milton, OH (US); **Gustavo A. Morales**, Brunswick, OH (US); **Edward Ray Goodwin, Jr.**, Westlake, OH (US); **Michael C. Lambertson, Jr.**, Aurora, OH (US); **Charles T. Buckel, Jr.**, Valley City, OH (US)

(73) Assignee: **SWIMC LLC**, Cleveland, OH (US)

(**) Term: **15 Years**

(21) Appl. No.: **29/683,067**

(22) Filed: **Mar. 11, 2019**

Related U.S. Application Data

(63) Continuation of application No. 29/645,014, filed on Apr. 23, 2018, now Pat. No. Des. 847,650, which is a continuation of application No. 29/559,224, filed on Mar. 25, 2016, now Pat. No. Des. 818,830.

(51) **LOC (12) Cl.** **09-07**

(52) **U.S. Cl.**
USPC **D9/443**

(58) **Field of Classification Search**
USPC D7/598, 600; D9/443, 454, 516, D9/522-524, 526-528, 530-533, 537, D9/540, 544, 545, 549, 575, 715, 719, D9/741-745; D32/53, 53.1, 54; D23/211, 211.1, 212
CPC B44D 3/12; B65D 25/32; B65D 21/0231; B65D 23/102; B65D 47/06

See application file for complete search history.

(56) **References Cited**

U.S. PATENT DOCUMENTS

D327,648 S *	7/1992	Cane	D9/435
D340,189 S	10/1993	Fletcher	
D362,180 S *	9/1995	Haines	D9/529
D378,494 S	3/1997	Miller	
D384,886 S *	10/1997	Plante	D10/68
5,855,304 A	1/1999	Dean	
D415,027 S *	10/1999	Blazar	D9/440
6,029,864 A *	2/2000	Nilsson	B65D 25/56 222/466
D431,472 S	10/2000	Cain	
D445,687 S *	7/2001	Gilbertson	D7/392.1

(Continued)

Primary Examiner — Shannon W Morgan

Assistant Examiner — Keith Frank

(74) *Attorney, Agent, or Firm* — Tucker Ellis LLP; Carlos Garritano

(57) **CLAIM**

The ornamental design for a storage container lid, as shown and described.

DESCRIPTION

FIG. 1 is a perspective view of a storage container lid showing our new design;

FIG. 2 is a front view of the storage container lid illustrated in FIG. 1;

FIG. 3 is a rear view of the storage container lid illustrated in FIG. 1;

FIG. 4 is a left side view of the storage container lid illustrated in FIG. 1;

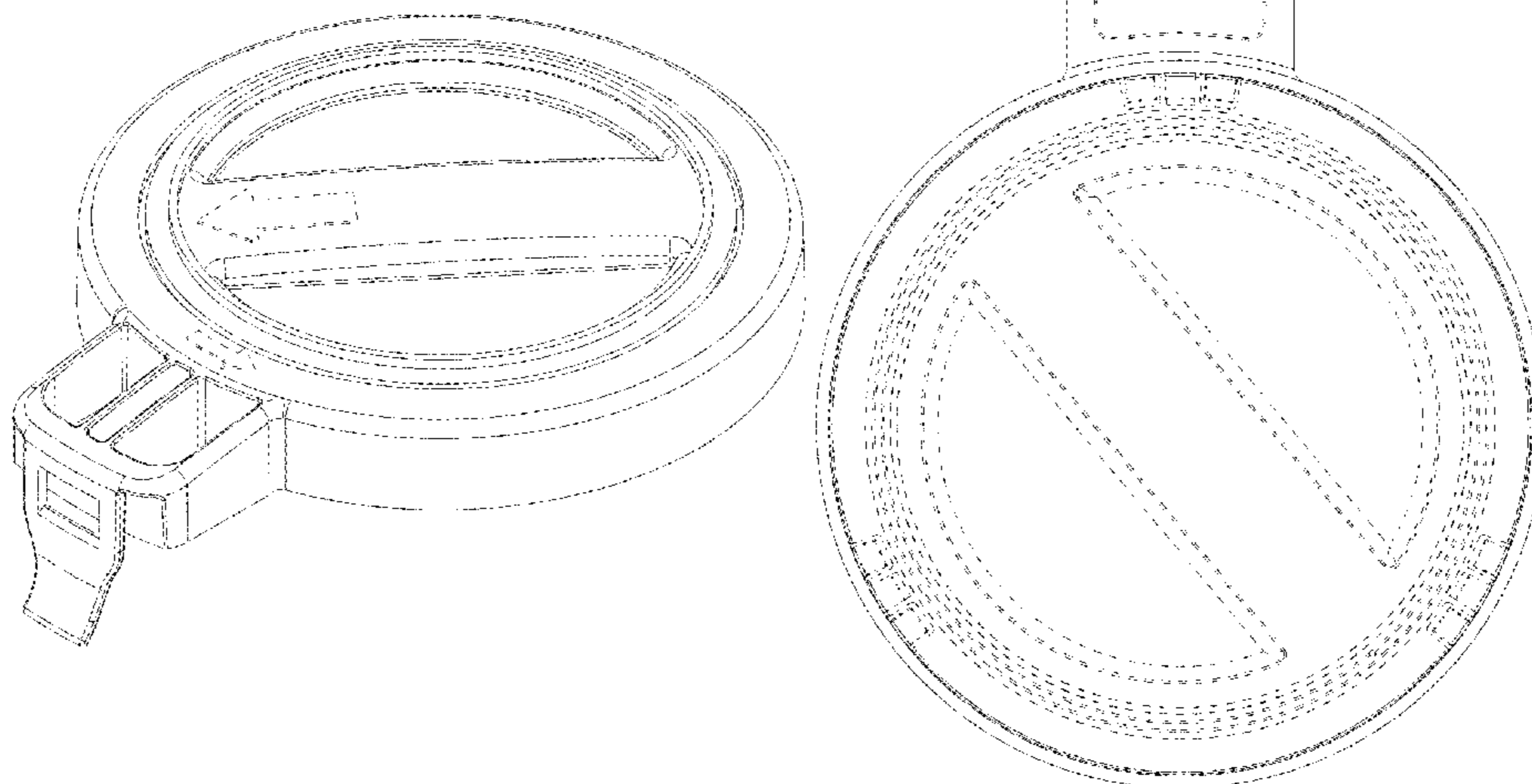
FIG. 5 is a right side view of the storage container lid illustrated in FIG. 1;

FIG. 6 is a top view of the storage container lid illustrated in FIG. 1; and,

FIG. 7 is a bottom view of the storage container lid illustrated in FIG. 1.

The broken lines in the drawings showing the storage container lid illustrate the portions of the storage container lid that form no part of the claimed design.

1 Claim, 4 Drawing Sheets



(56)

References Cited

U.S. PATENT DOCUMENTS

6,708,838 B2	3/2004	Bergman		9,290,310 B2	3/2016	Sinn	
D505,076 S	5/2005	Logan		D760,085 S *	6/2016	Su	D9/543
6,983,862 B2	1/2006	Nottingham		9,446,884 B2	9/2016	McGinley	
D517,322 S *	3/2006	Zettle	D3/323	D783,403 S *	4/2017	Sill	D9/454
D525,826 S *	8/2006	Kugler	D7/392.1	D783,917 S	4/2017	Gringer	
D548,603 S	8/2007	Young		D794,445 S	8/2017	Yourist	
D564,887 S *	3/2008	Gruskin	D9/531	D800,565 S	10/2017	Bonaventura	
D573,475 S	7/2008	Nottingham		D840,238 S *	2/2019	Hudson	D9/559
D623,954 S	9/2010	Hawry		D845,136 S *	4/2019	Mateus	D9/503
D653,548 S	2/2012	Wycoff		D846,343 S *	4/2019	Samartgis	D7/392
8,205,415 B2 *	6/2012	Sagy	B65D 43/0212 53/433	D848,784 S *	5/2019	Hazelton	D7/391
				2001/0025865 A1 *	10/2001	Bravo	B44D 3/127 222/465.1
D691,052 S	10/2013	Minghetti		2002/0195471 A1 *	12/2002	Nottingham	B01F 15/00733 222/570
D711,232 S *	8/2014	Henriksson	D9/451	2007/0187412 A1	8/2007	Gruskin	
D719,828 S *	12/2014	Henriksson	D9/451	2007/0187413 A1	8/2007	Gruskin	
D722,885 S	2/2015	Mooney		2007/0187420 A1	8/2007	Gruskin	
D744,186 S	11/2015	Gringer		2007/0205196 A1 *	9/2007	Burney	B65D 43/0212 220/276
D751,913 S	3/2016	Seccof		2007/0261983 A1	11/2007	Flanagan-Kent	

* cited by examiner

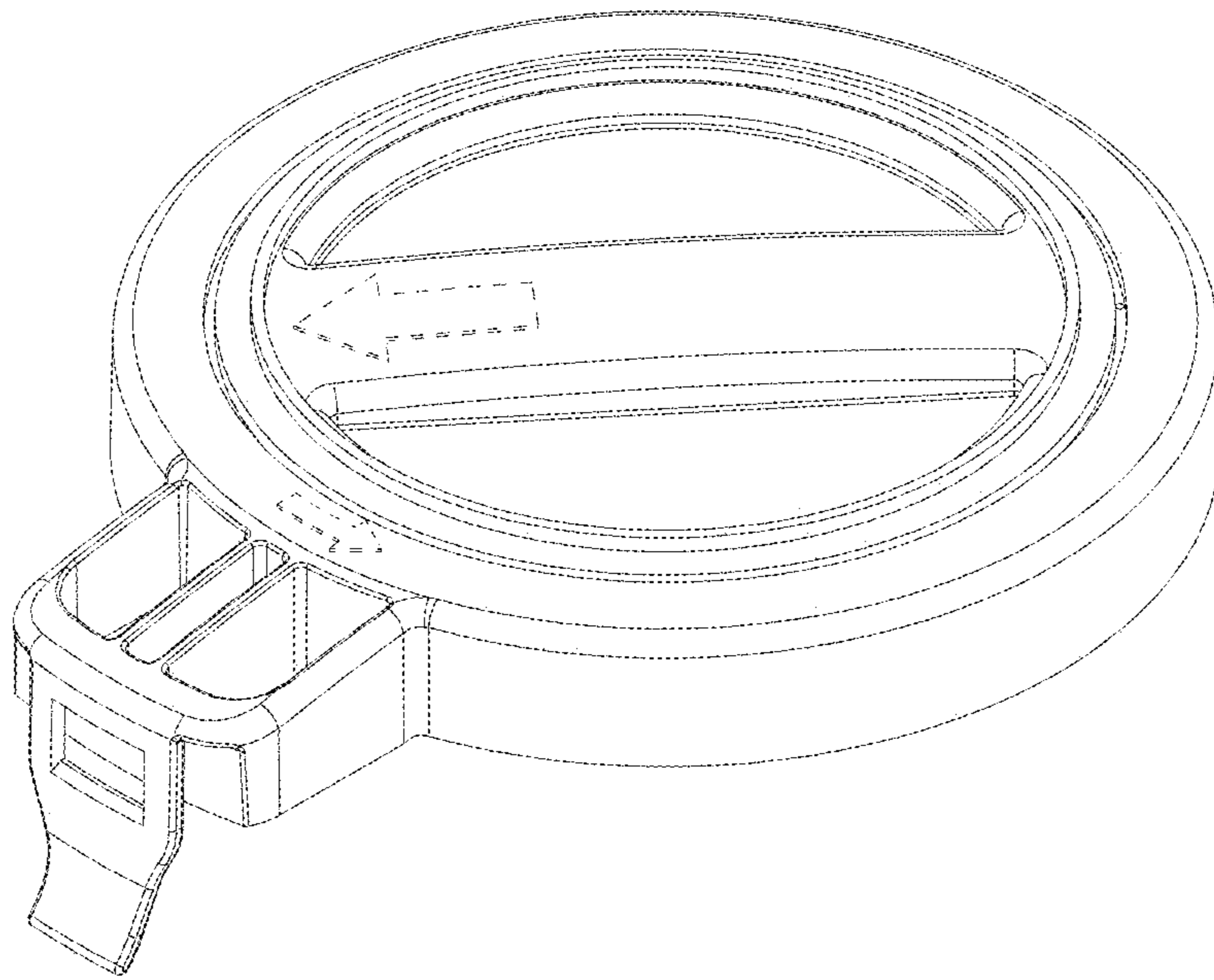


FIG. 1

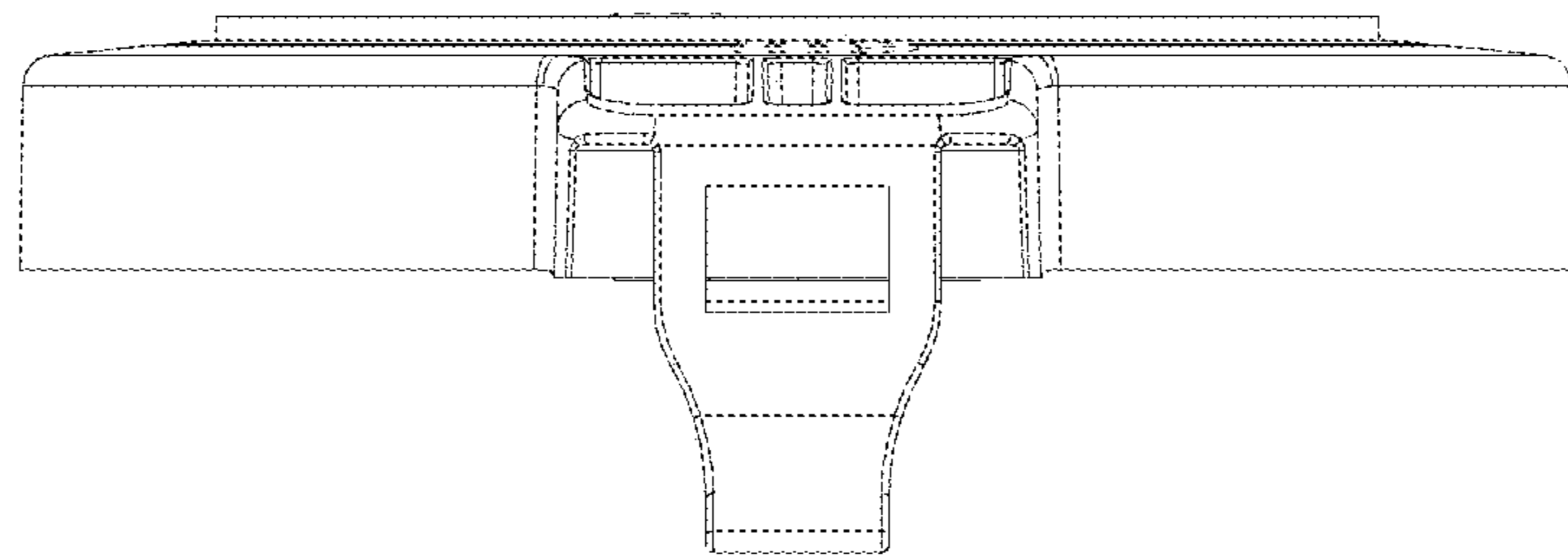


FIG. 2

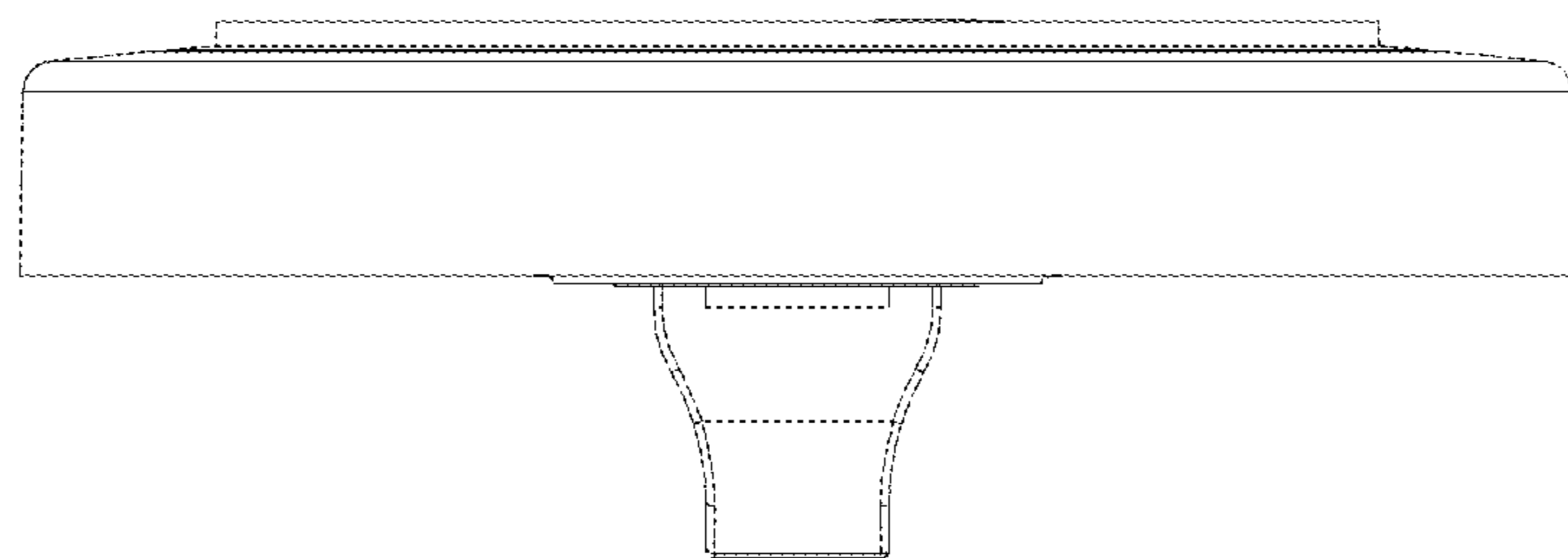


FIG. 3

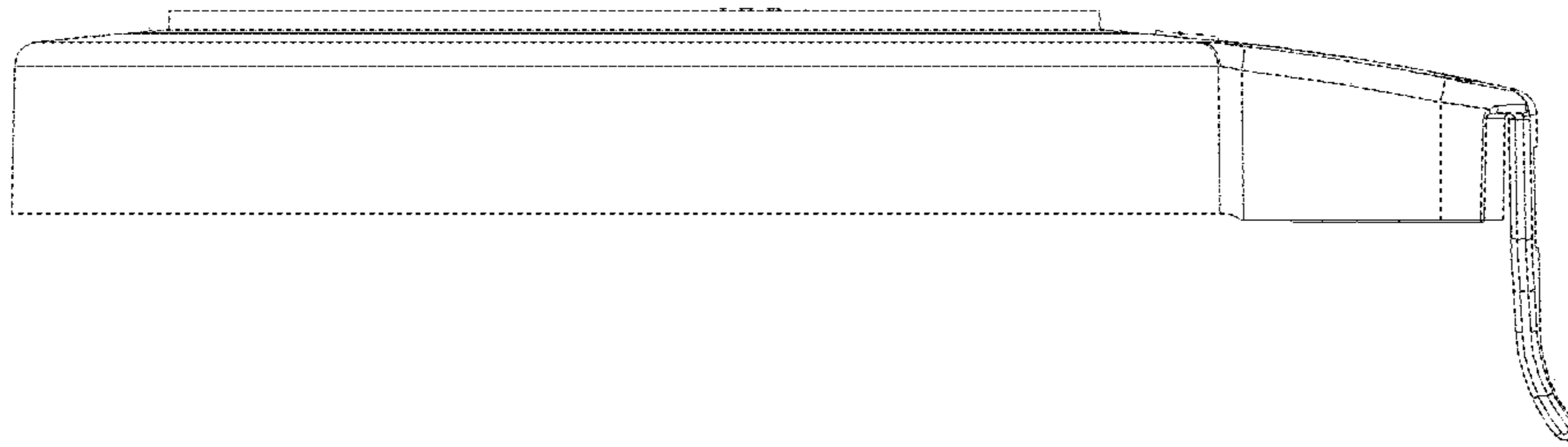


FIG. 4

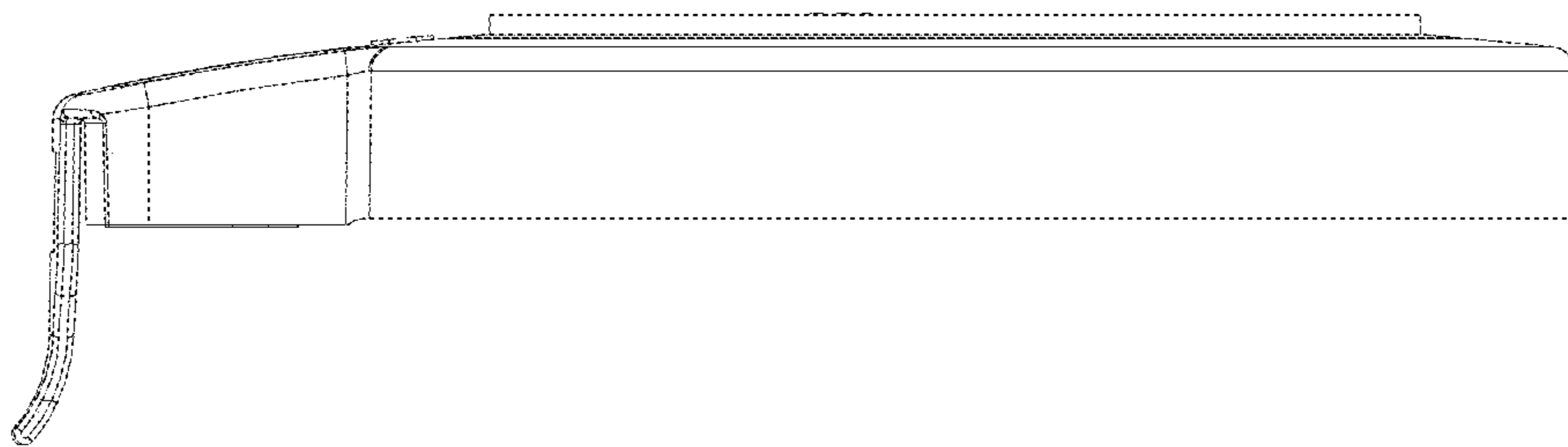


FIG. 5

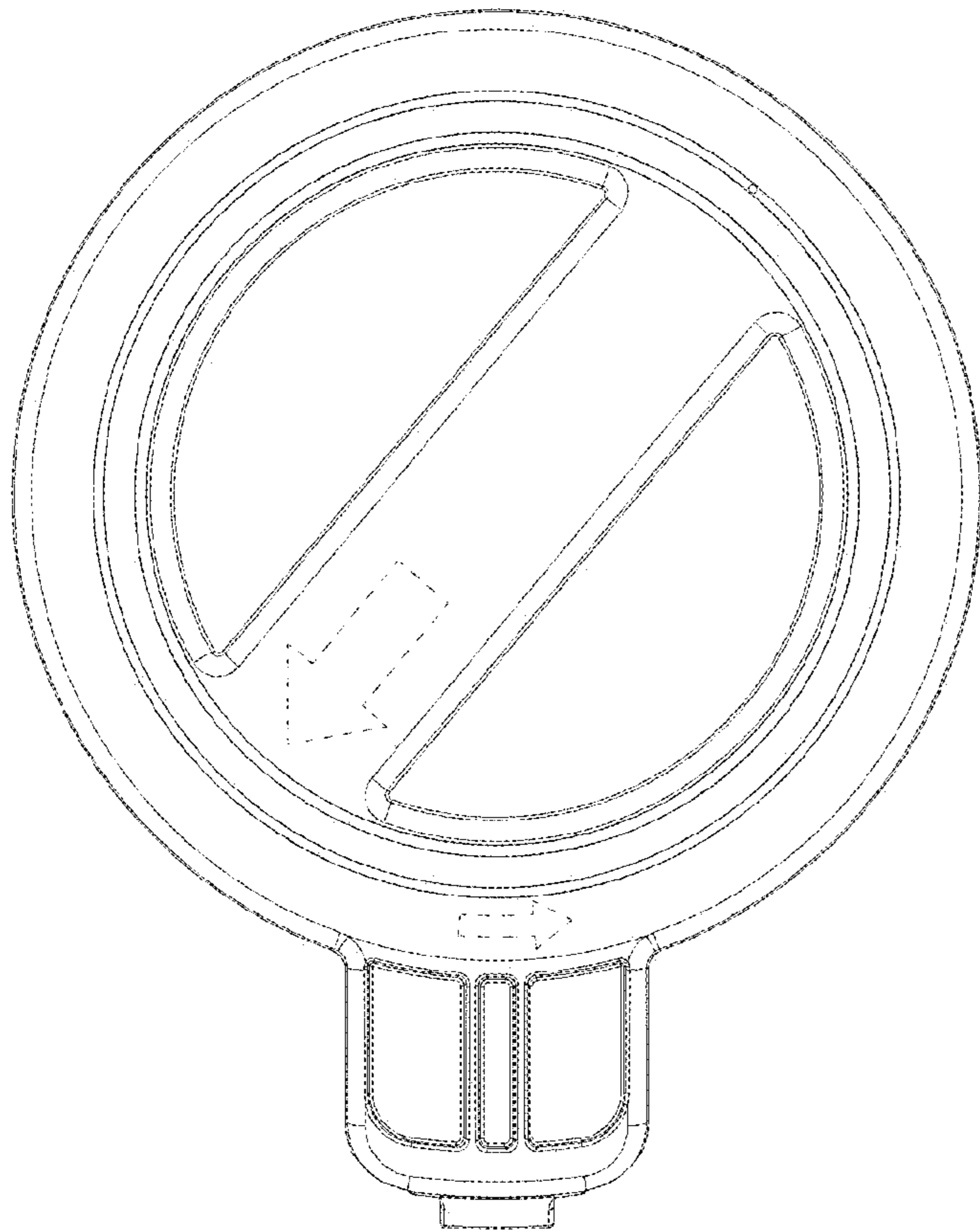


FIG. 6

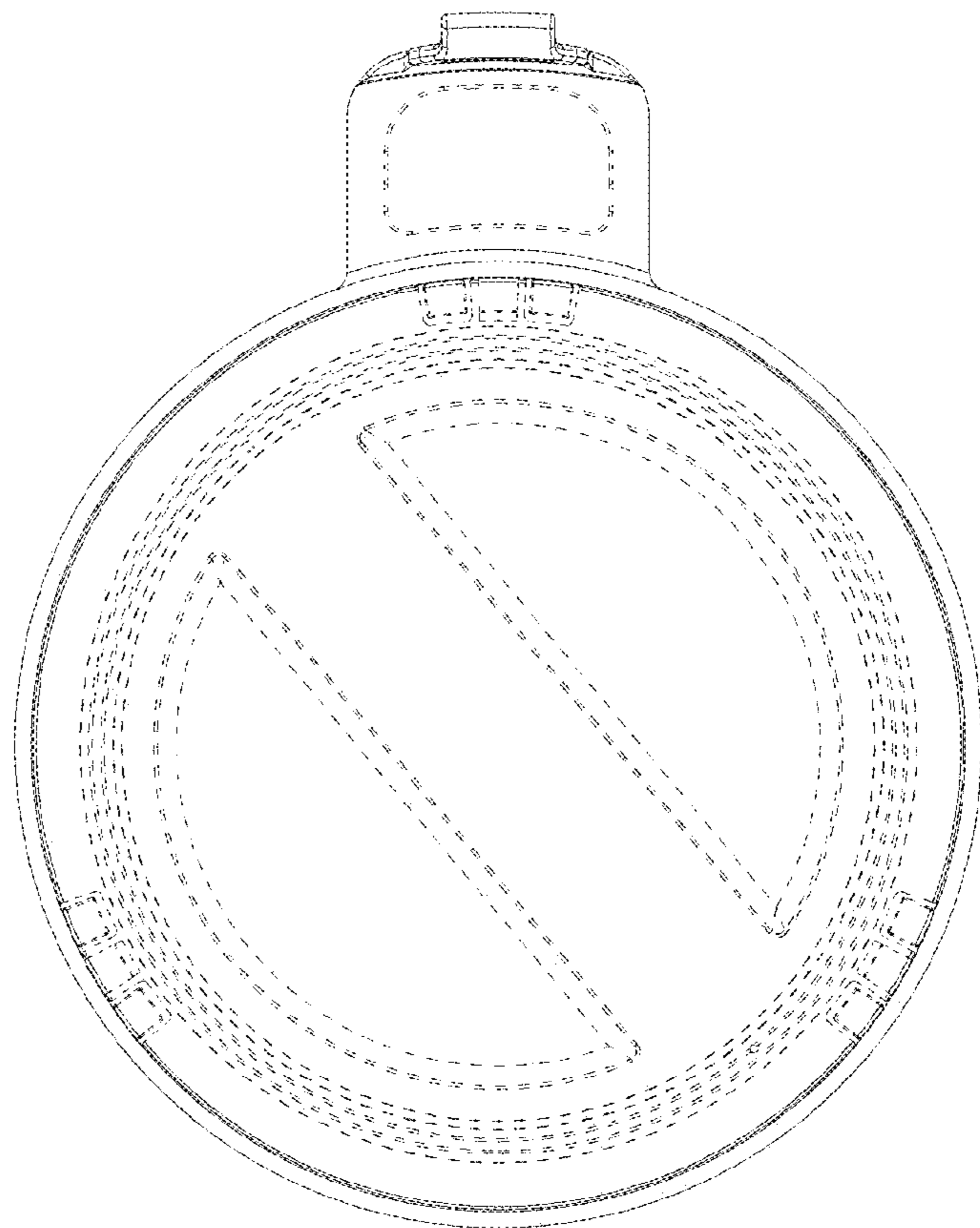


FIG. 7