



US00D887262S

(12) **United States Design Patent**  
**Chang**

(10) **Patent No.:** **US D887,262 S**  
(45) **Date of Patent:** **\*\* Jun. 16, 2020**

(54) **TOOL HOLDER**

(71) Applicant: **CHUN NIEN PLASTIC LTD.,**  
Taichung (TW)

(72) Inventor: **Chi-Tsai Chang,** Taichung (TW)

(73) Assignee: **CHUN NIEN PLASTIC LTD.,**  
Taichung (TW)

(\*\*) Term: **15 Years**

(21) Appl. No.: **29/675,334**

(22) Filed: **Dec. 31, 2018**

(30) **Foreign Application Priority Data**

Jul. 12, 2018 (TW) ..... 107303987

(51) **LOC (12) Cl.** ..... **09-03**

(52) **U.S. Cl.**  
USPC ..... **D9/415**

(58) **Field of Classification Search**

USPC ..... D9/414-418, 679, 443; D3/294

CPC ..... B65D 73/0014; B65D 73/0021; B29C  
33/005; B25H 3/006; B25H 3/04; A47F

5/0006; G09F 3/16

See application file for complete search history.

(56) **References Cited**

**U.S. PATENT DOCUMENTS**

7,219,807 B2 \* 5/2007 Kao ..... B29C 33/005

206/376

D622,506 S \* 8/2010 Deguglimo ..... D3/294

D714,135 S \* 9/2014 Chang ..... D9/415

D806,542 S \* 1/2018 Lourie ..... D9/443

10,279,465 B2 \* 5/2019 Chang ..... B25H 3/006

D862,243 S \* 10/2019 Cavalcante ..... D9/679  
10,435,219 B2 \* 10/2019 Christopher ..... B65D 73/0014  
D871,205 S \* 12/2019 Farrell ..... D9/415  
2012/0091082 A1 \* 4/2012 Chang ..... B65D 73/0021  
211/70.6  
2014/0208623 A1 \* 7/2014 Chang ..... B25H 3/04  
40/299.01  
2014/0298694 A1 \* 10/2014 Chang ..... G09F 3/16  
40/299.01  
2019/0061138 A1 \* 2/2019 Chang ..... A47F 5/0006  
2019/0144186 A1 \* 5/2019 Chang ..... B65D 73/0014

\* cited by examiner

*Primary Examiner* — Rhea Shields

(74) *Attorney, Agent, or Firm* — Muncy, Geissler, Olds & Lowe, P.C.

(57) **CLAIM**

I claim the ornamental design for a tool holder, as shown and described.

**DESCRIPTION**

FIG. 1 is a top, front, right perspective view of a tool holder showing my new design;

FIG. 2 is a front elevational view thereof;

FIG. 3 is a rear elevational view thereof;

FIG. 4 is a left side view thereof;

FIG. 5 is a right side view thereof;

FIG. 6 is a top plan view thereof;

FIG. 7 is a bottom plan view thereof;

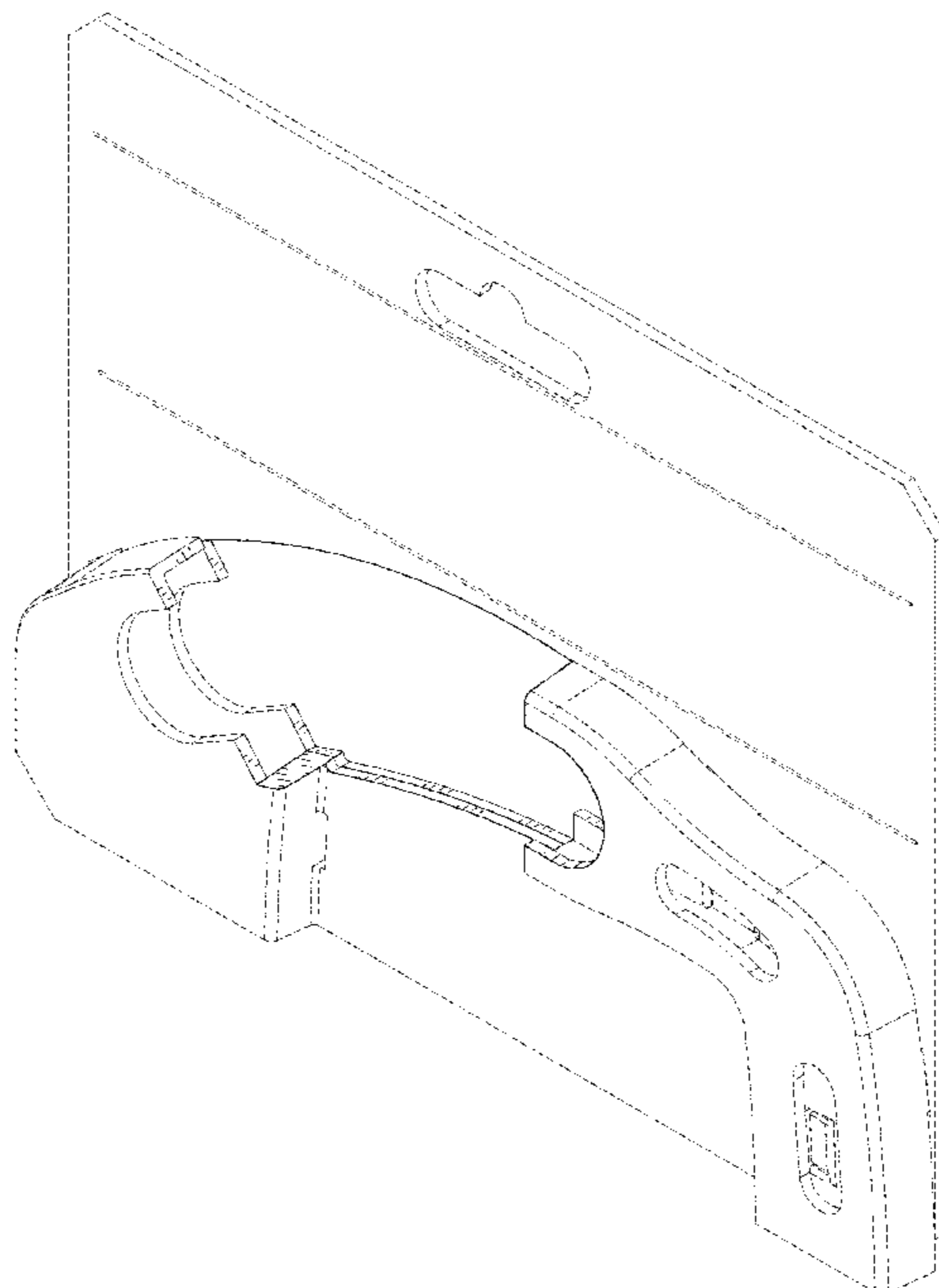
FIG. 8 is a bottom, rear, right perspective view thereof;

FIG. 9 is a bottom, front, left perspective view thereof; and,

FIG. 10 is a front elevational view showing the tool holder in an environment.

The broken lines in the drawings illustrate portions of the tool holder which form no part of the claimed design.

**1 Claim, 8 Drawing Sheets**



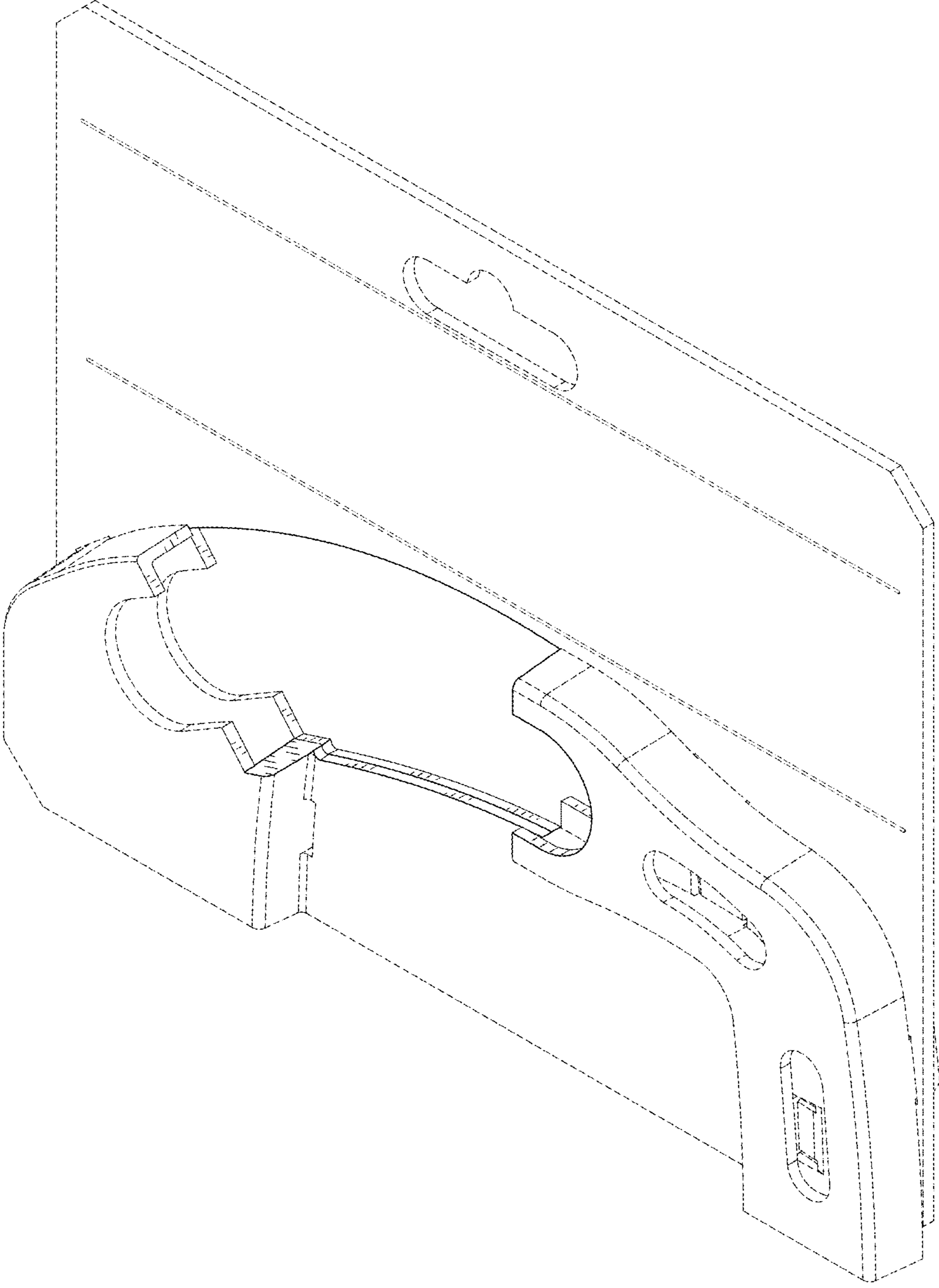


FIG. 1

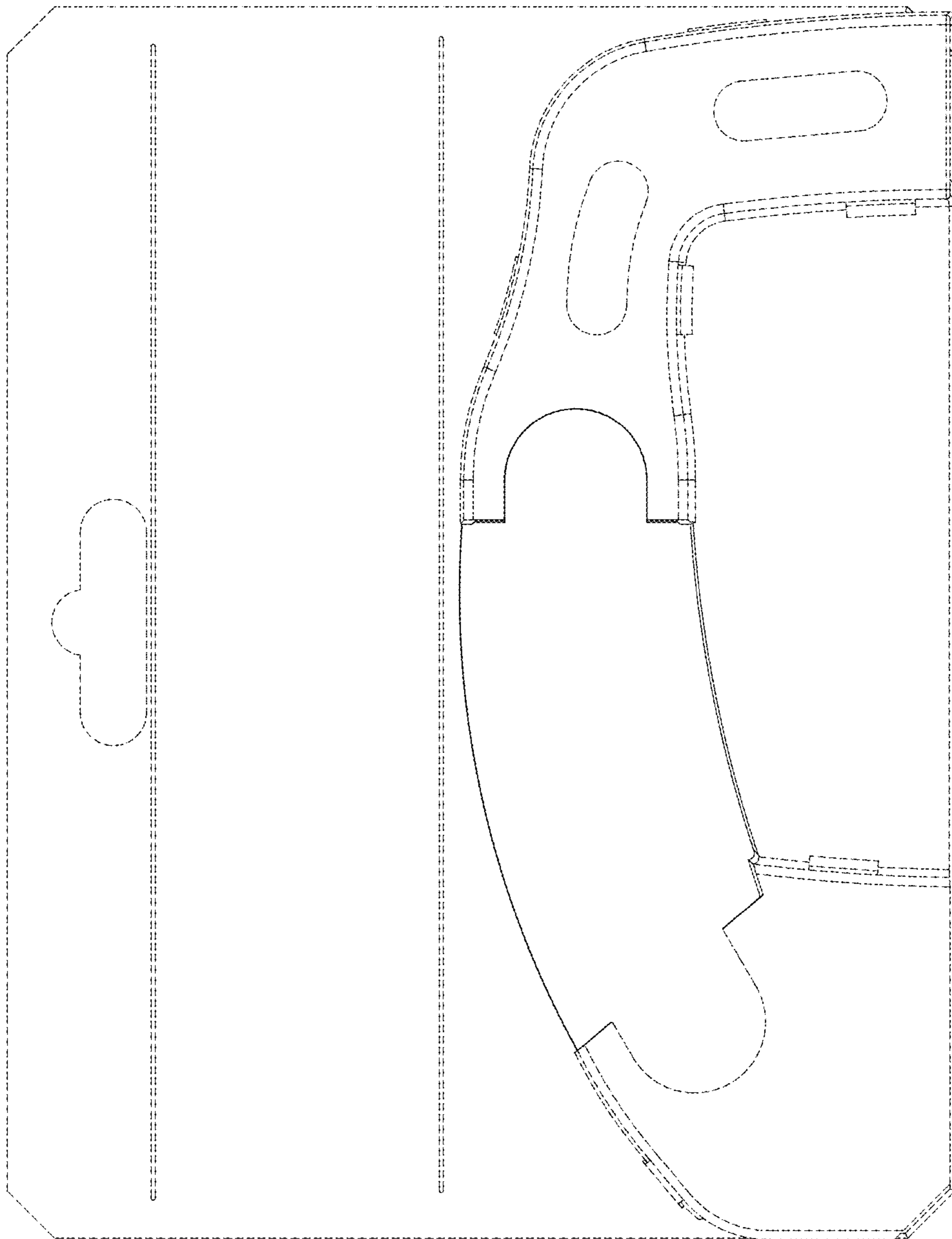


FIG. 2

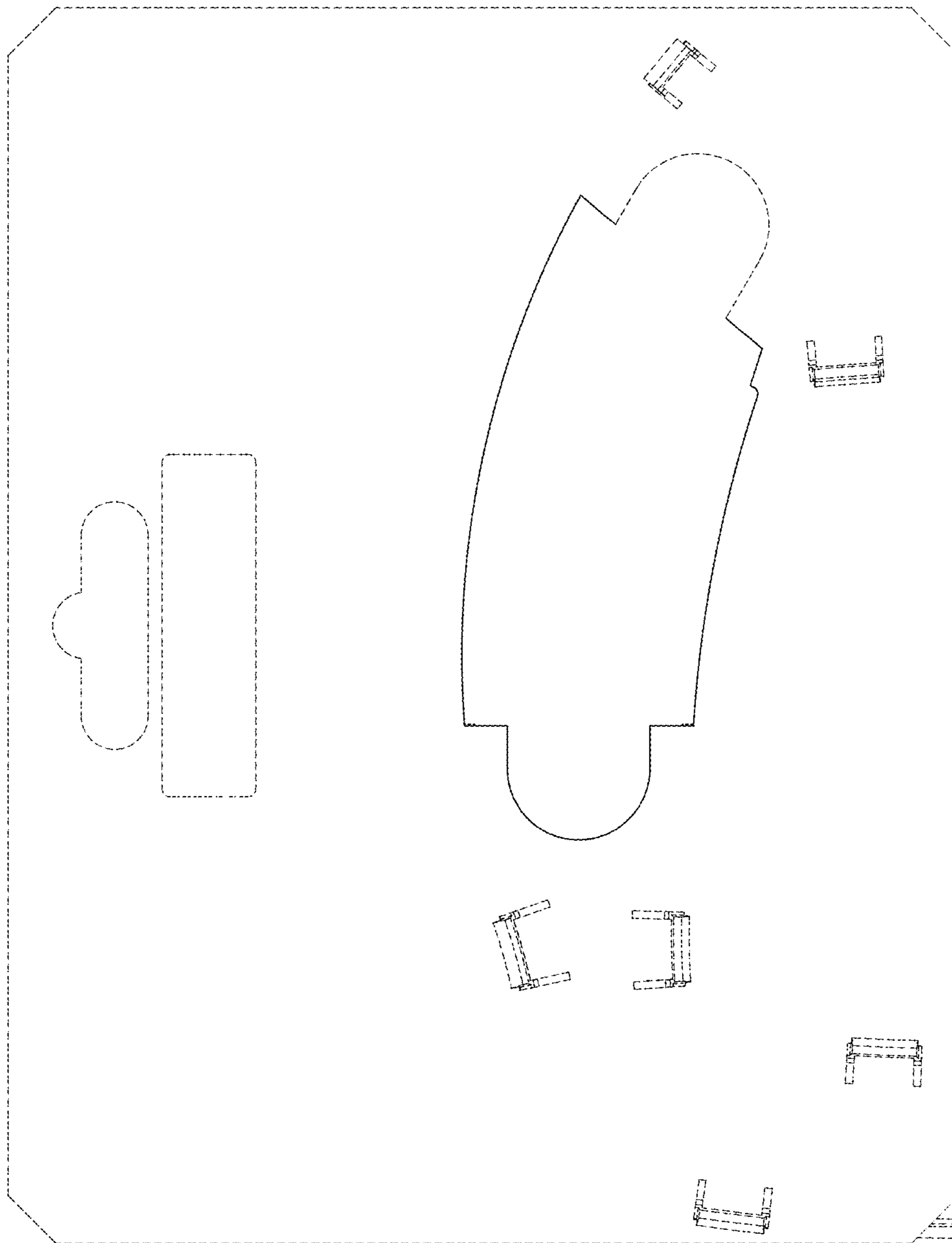


FIG. 3

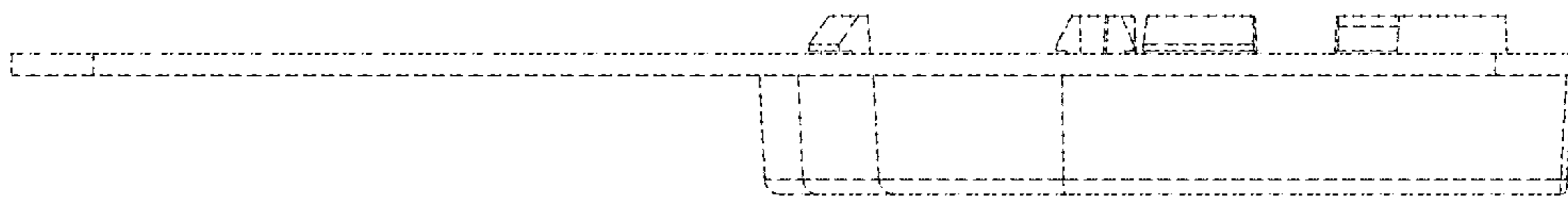


FIG. 5

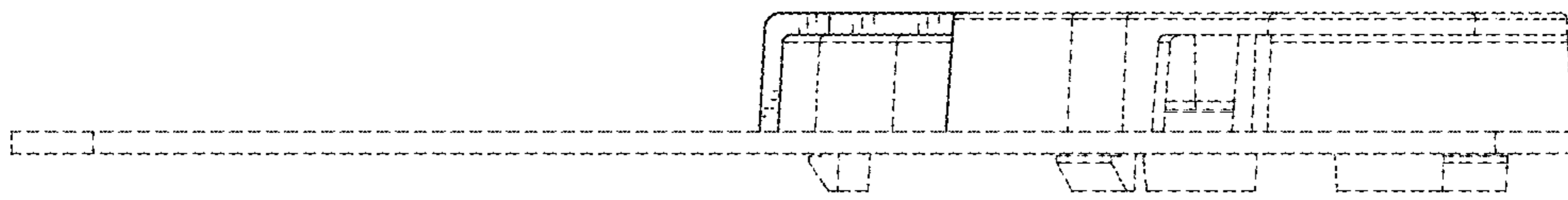


FIG. 4

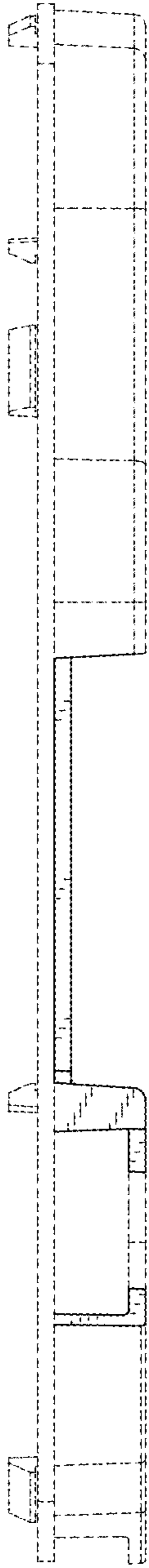


FIG. 6

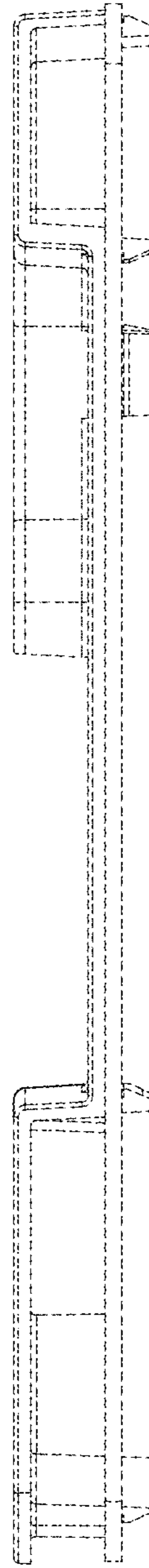


FIG. 7



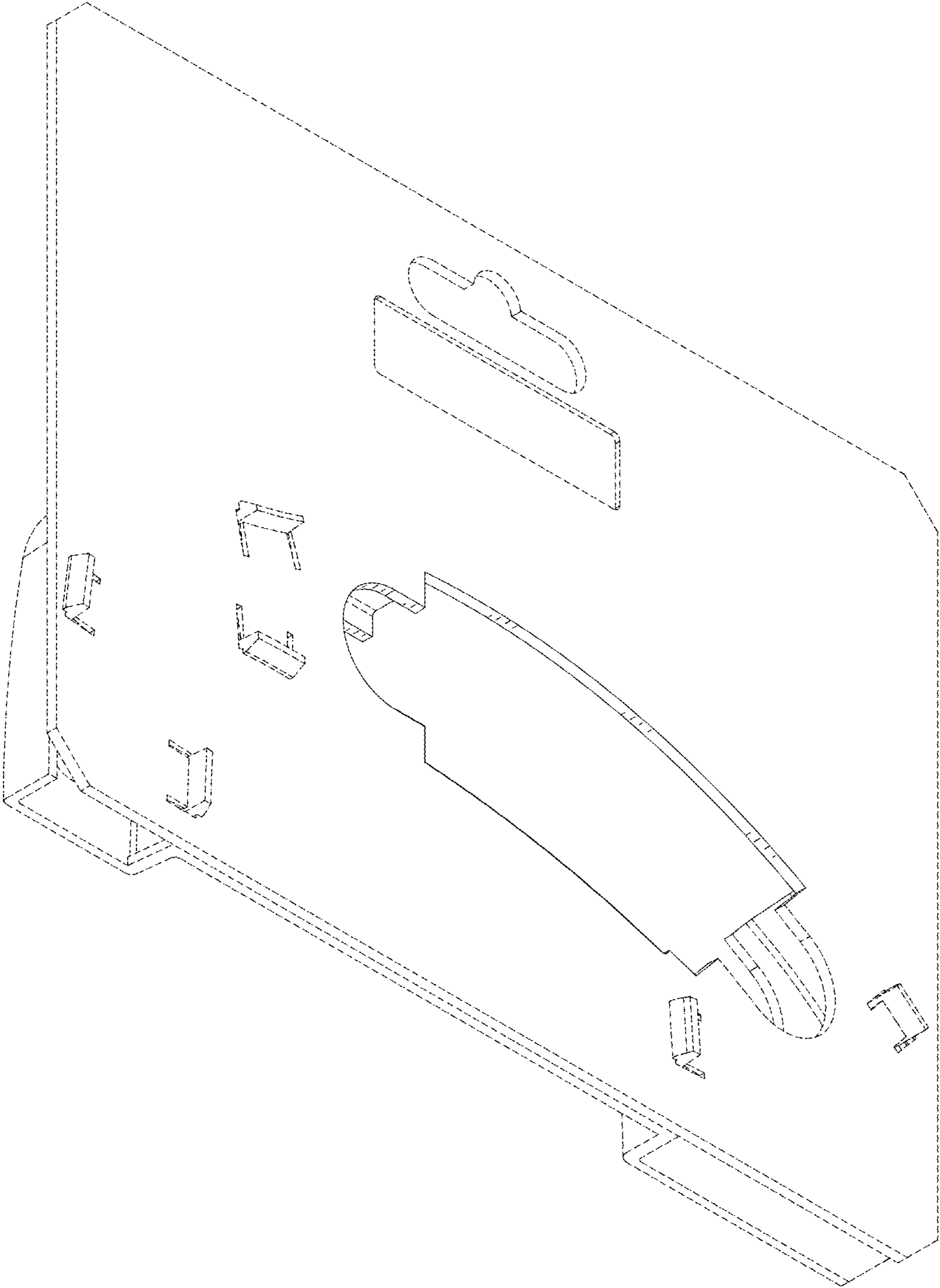


FIG. 8

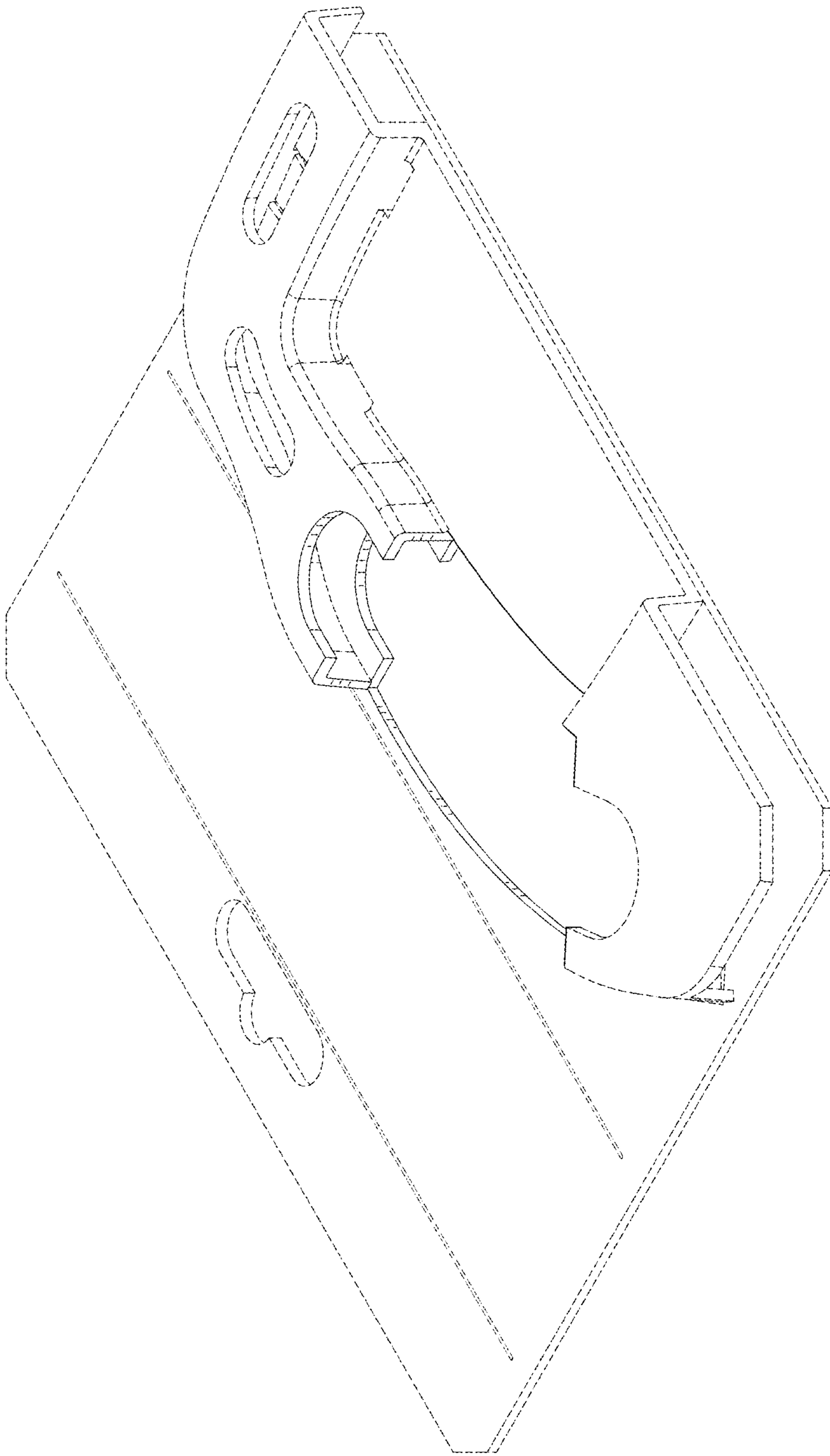


FIG. 9



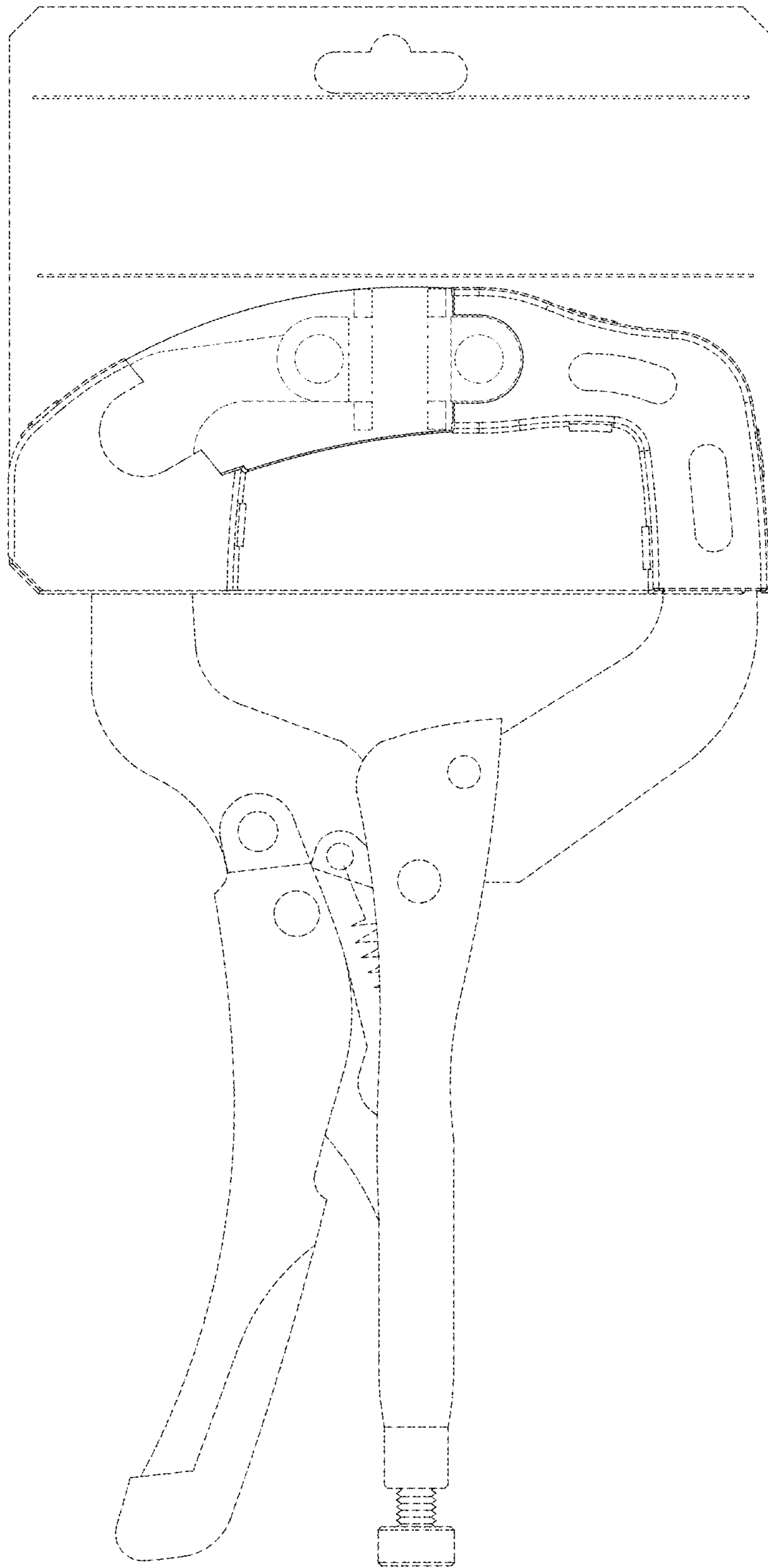


FIG. 10