



US00D887260S

(12) **United States Design Patent**
Russell et al.

(10) **Patent No.:** **US D887,260 S**
(45) **Date of Patent:** **** Jun. 16, 2020**

- (54) **GRAB HANDLE**
- (71) Applicant: **OMIX-ADA, INC.**, Ann Arbor, MI (US)
- (72) Inventors: **Eric Russell**, Lilburn, GA (US);
Patrick Bennett, Gainesville, GA (US)
- (73) Assignee: **OMIX-ADA, INC.**, Ann Arbor, MI (US)
- (**) Term: **15 Years**
- (21) Appl. No.: **29/649,429**
- (22) Filed: **May 30, 2018**
- (51) **LOC (12) Cl.** **08-08**
- (52) **U.S. Cl.**
USPC **D8/394**
- (58) **Field of Classification Search**
USPC D8/71, 72, 74, 349, 354, 355, 363, 382,
D8/383, 394, 395, 396; D12/400, 415,
D12/420, 223; D14/224, 229; D26/138
CPC B60Q 1/0483; B60Q 1/18; B60R 11/00;
F16B 2/02; F16B 2/06; F16B 9/00
See application file for complete search history.

- D483,650 S * 12/2003 Squillante D8/349
- D529,794 S * 10/2006 Murray D8/396
- D556,458 S * 12/2007 Lanz D4/199
- D579,319 S * 10/2008 Short D8/354
- 7,458,620 B2 * 12/2008 Rotole A01F 15/14
289/16
- D641,610 S * 7/2011 Sedalo D8/354
- D664,707 S * 7/2012 Toft F21V 21/30
D26/142
- D692,290 S 10/2013 Stanesic et al.
- D700,834 S * 3/2014 Fievet D8/382
- D705,338 S * 5/2014 Choltco-Devlin D16/242
- D715,622 S * 10/2014 Qu D8/349
- D721,262 S * 1/2015 Parham D8/354
- D721,573 S * 1/2015 Fievet D8/382
- D738,179 S * 9/2015 Gray D8/72
- D739,710 S * 9/2015 Bukovitz D4/199
- 9,145,084 B2 * 9/2015 Eboli B60Q 1/18
- D752,804 S * 3/2016 Williamson D26/141
- D762,454 S * 8/2016 Thouement D8/349

(Continued)

Primary Examiner — Steven J Czyz

(74) *Attorney, Agent, or Firm* — The Dobrusin Law Firm, P.C.

(57) **CLAIM**

The ornamental design for a grab handle, as shown and described.

DESCRIPTION

FIG. 1 is a perspective view of a grab handle showing our new design.

FIG. 2 is a bottom plan view thereof.

FIG. 3 is a top plan view thereof.

FIG. 4 is a side elevational view thereof.

FIG. 5 is a front elevational view thereof.

FIG. 6 is a rear elevational view thereof; and,

FIG. 7 is a perspective view thereof.

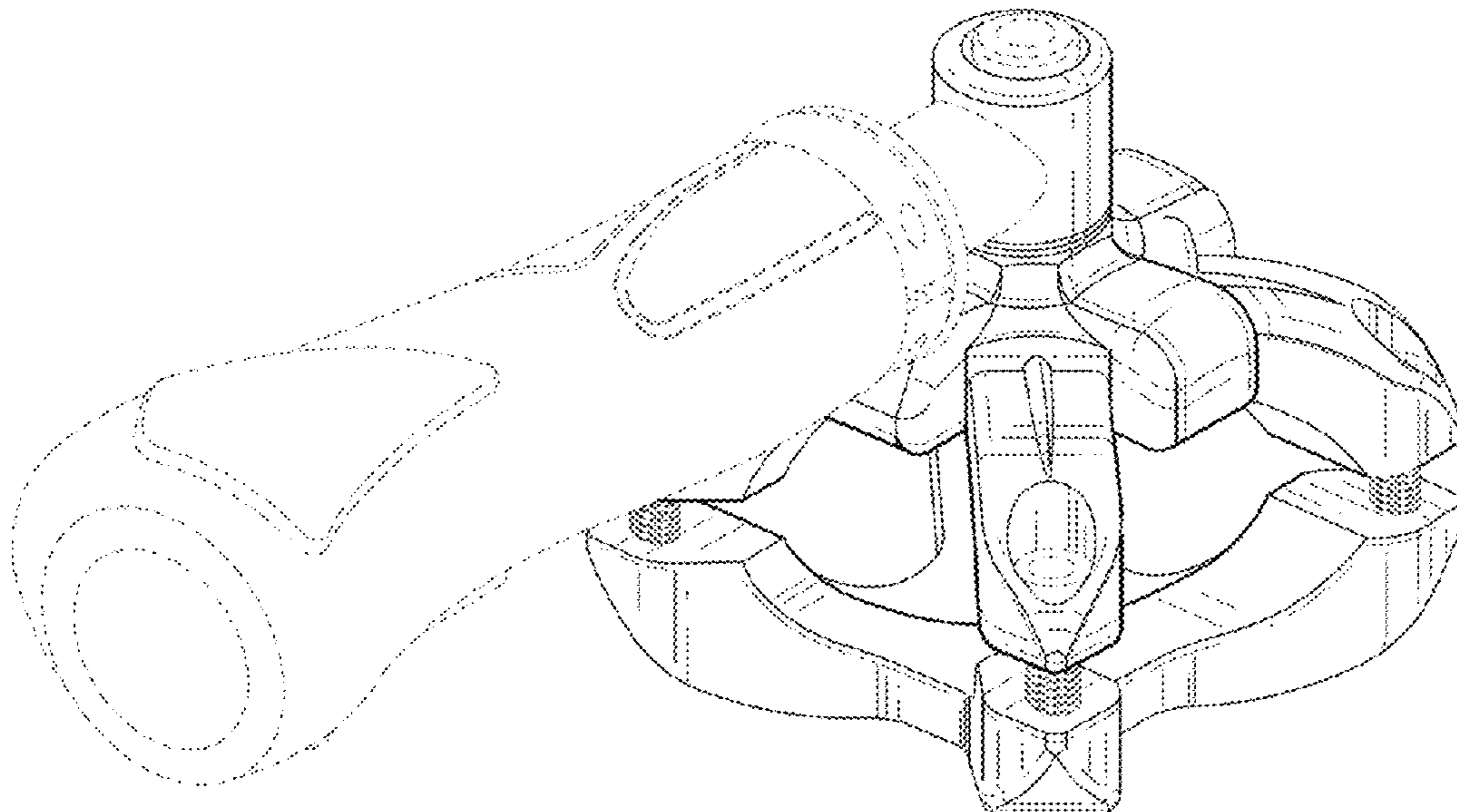
The broken lines depict portions of the article and environment that forms no part of the claimed design.

1 Claim, 7 Drawing Sheets

(56) **References Cited**

U.S. PATENT DOCUMENTS

- 936,150 A * 10/1909 Nelson et al. E04B 1/19
403/73
- D243,404 S * 2/1977 Mooney D13/149
- D344,529 S * 2/1994 Gowdy D15/140
- D365,870 S * 1/1996 Miller D22/147
- D381,113 S * 7/1997 Safyan D13/149
- D440,005 S 4/2001 Blanton
- D451,985 S * 12/2001 Tigerholm D23/262
- D454,479 S * 3/2002 Kolpin D8/349
- 6,407,713 B1 * 6/2002 Mallenius F16M 11/10
343/765
- D482,489 S 11/2003 Gary et al.



(56)

References Cited

U.S. PATENT DOCUMENTS

D764,249 S * 8/2016 Deveci D8/72
D773,110 S * 11/2016 Eboli B60Q 1/18
D26/138
D776,514 S * 1/2017 Schroeder D8/354
D777,548 S * 1/2017 Trotsky D8/72
D782,294 S * 3/2017 Dordick D8/396
9,610,888 B2 4/2017 Eboli
D798,697 S * 10/2017 Roy D8/382
D799,311 S * 10/2017 Mamie D8/382
D803,674 S * 11/2017 Carnevali D8/382
D805,888 S * 12/2017 De Los Santos D8/396
D829,073 S * 9/2018 Starwood D8/72
D832,087 S * 10/2018 Fievet D8/382
2010/0038505 A1 * 2/2010 Sonnenberg F16M 11/041
248/226.11
2011/0315829 A1 * 12/2011 Darnell H02G 3/0456
248/67.5

* cited by examiner

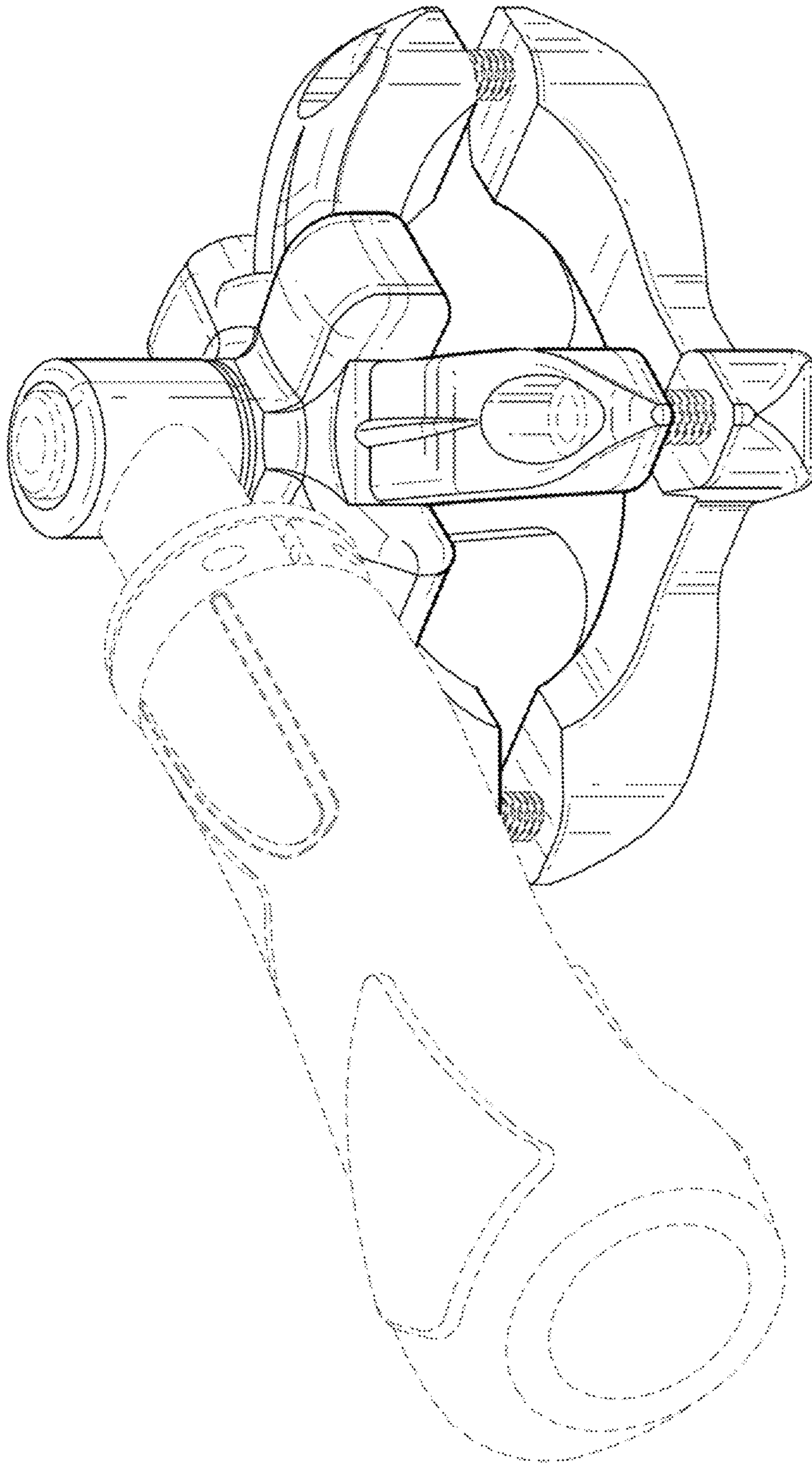


Fig-1

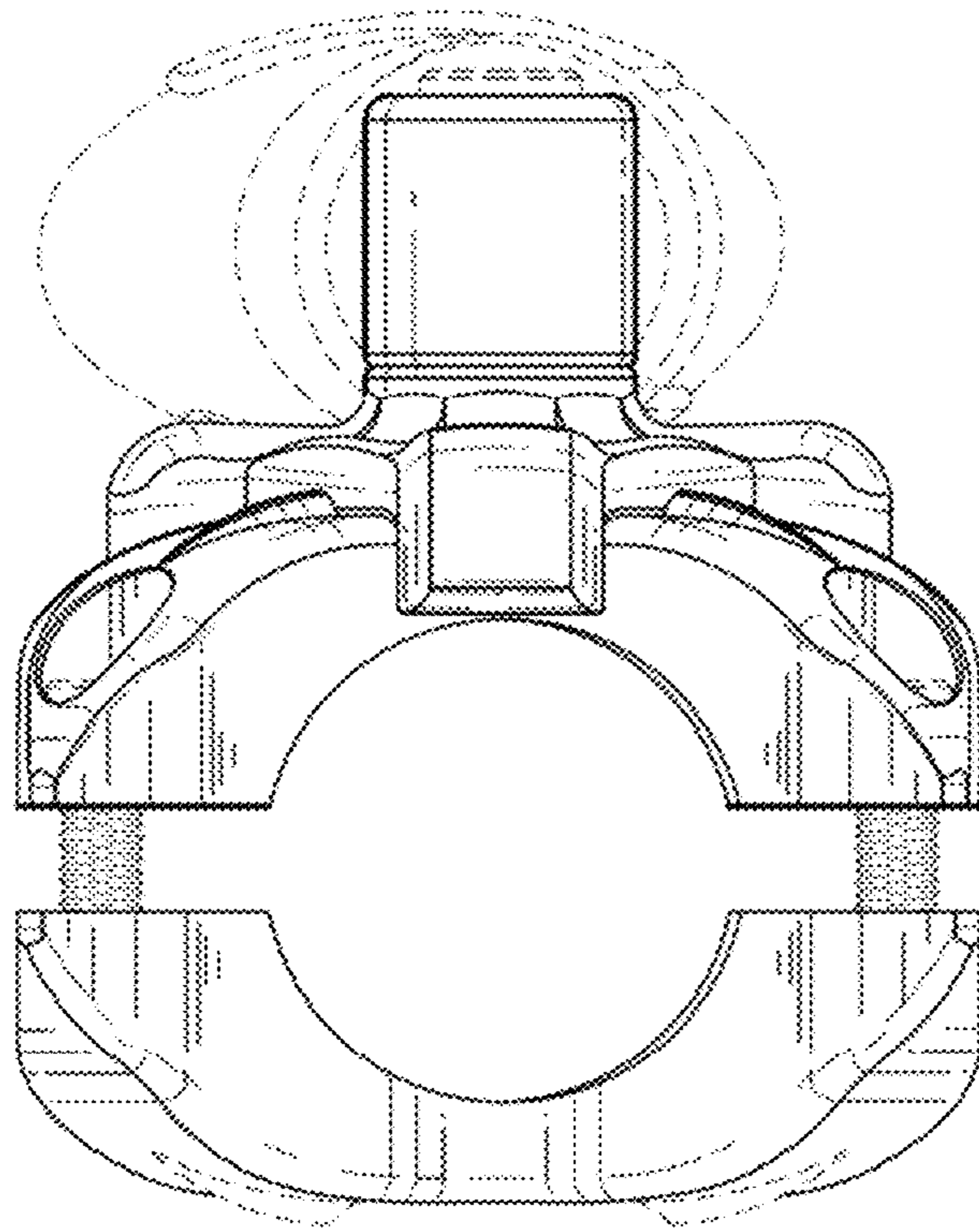


Fig-2

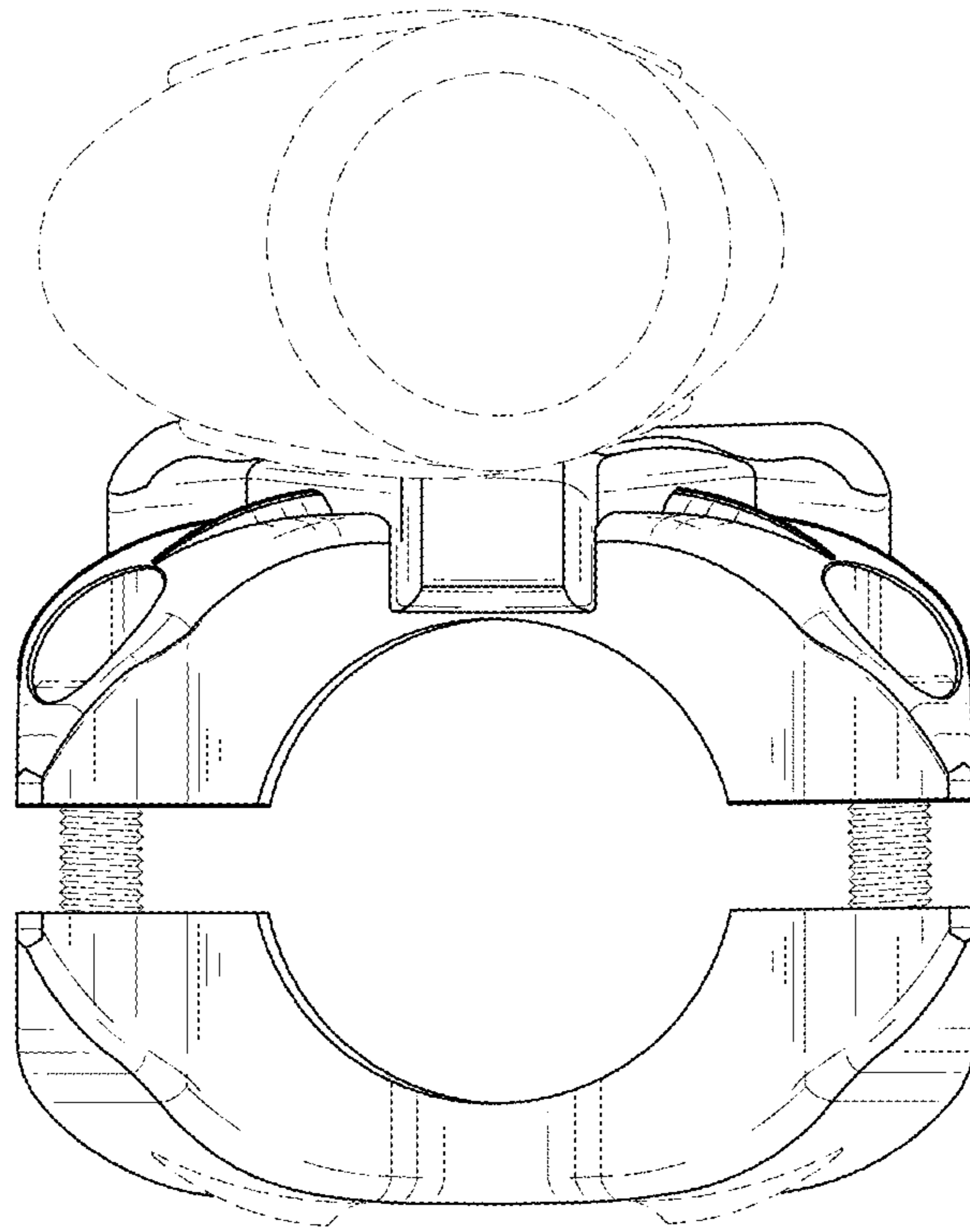


Fig-3

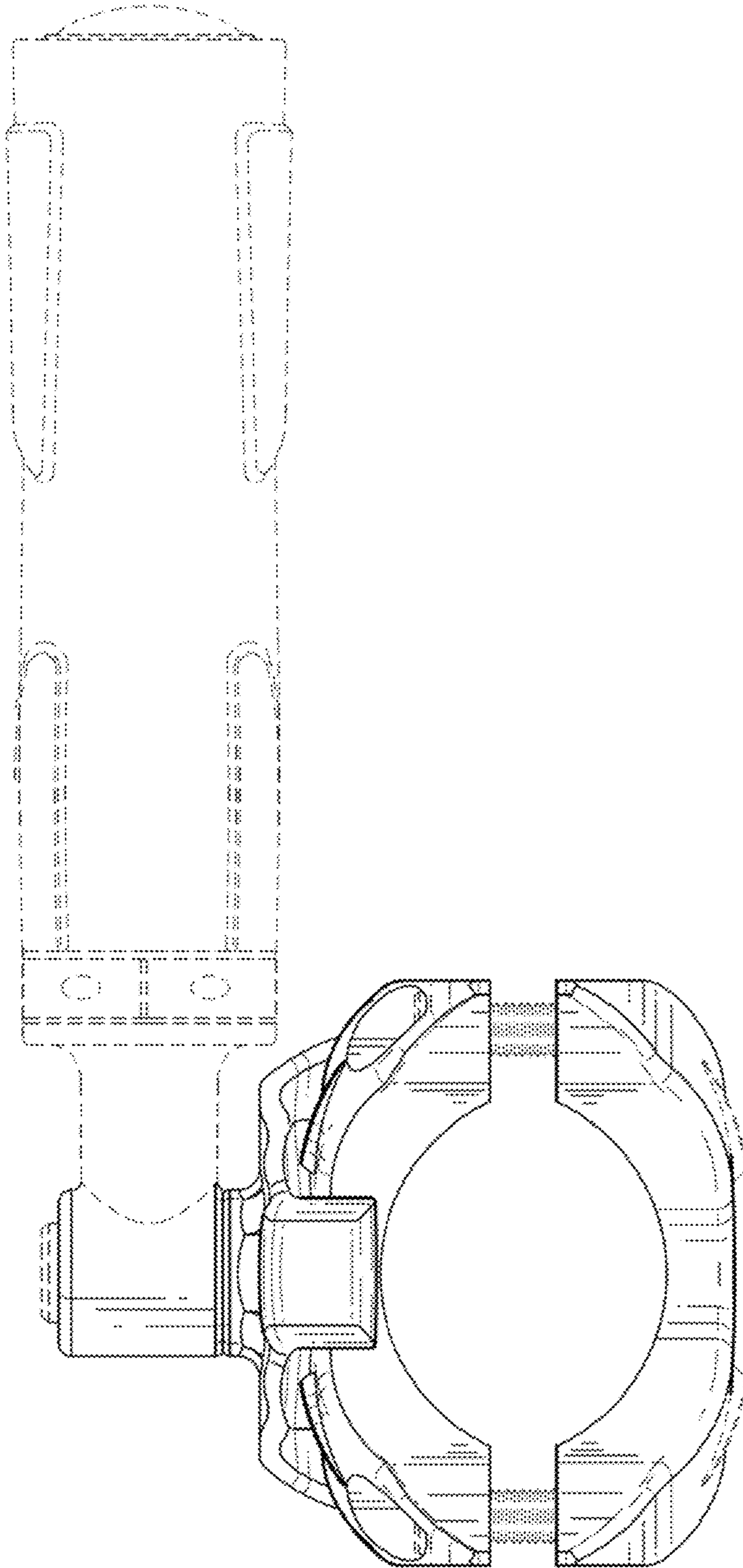


Fig-4

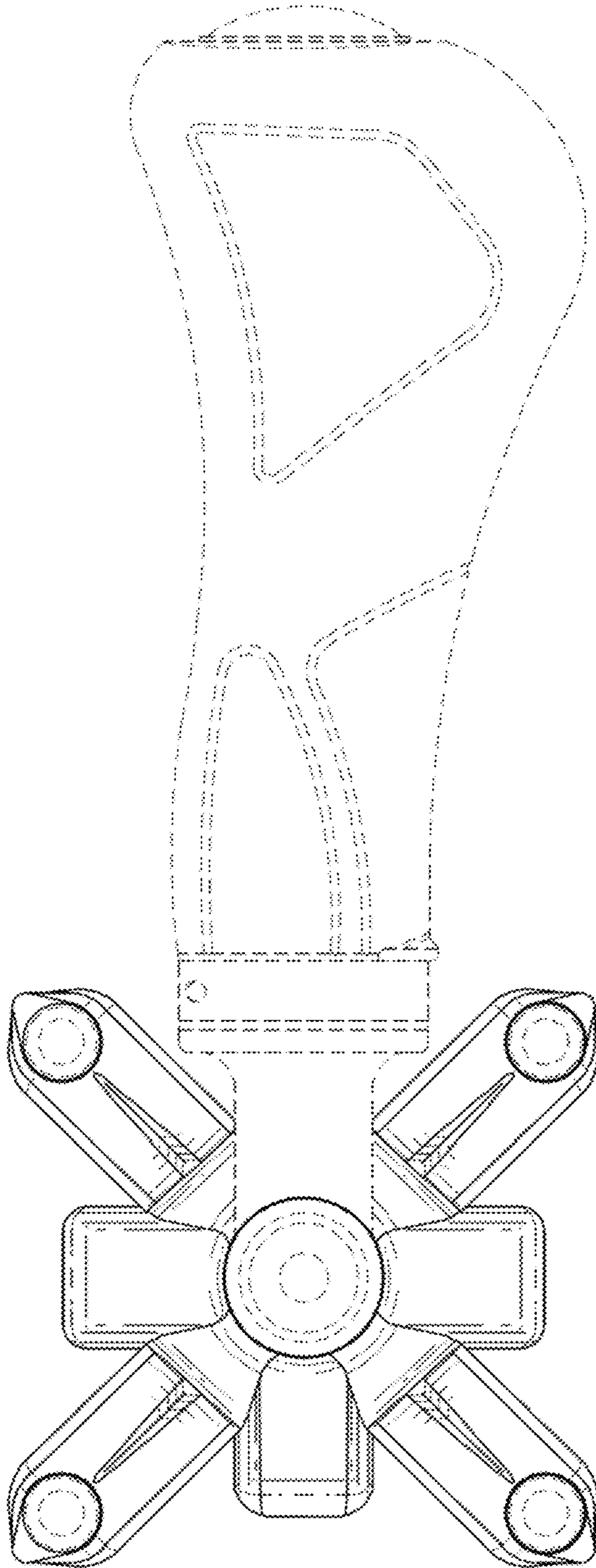


Fig-5

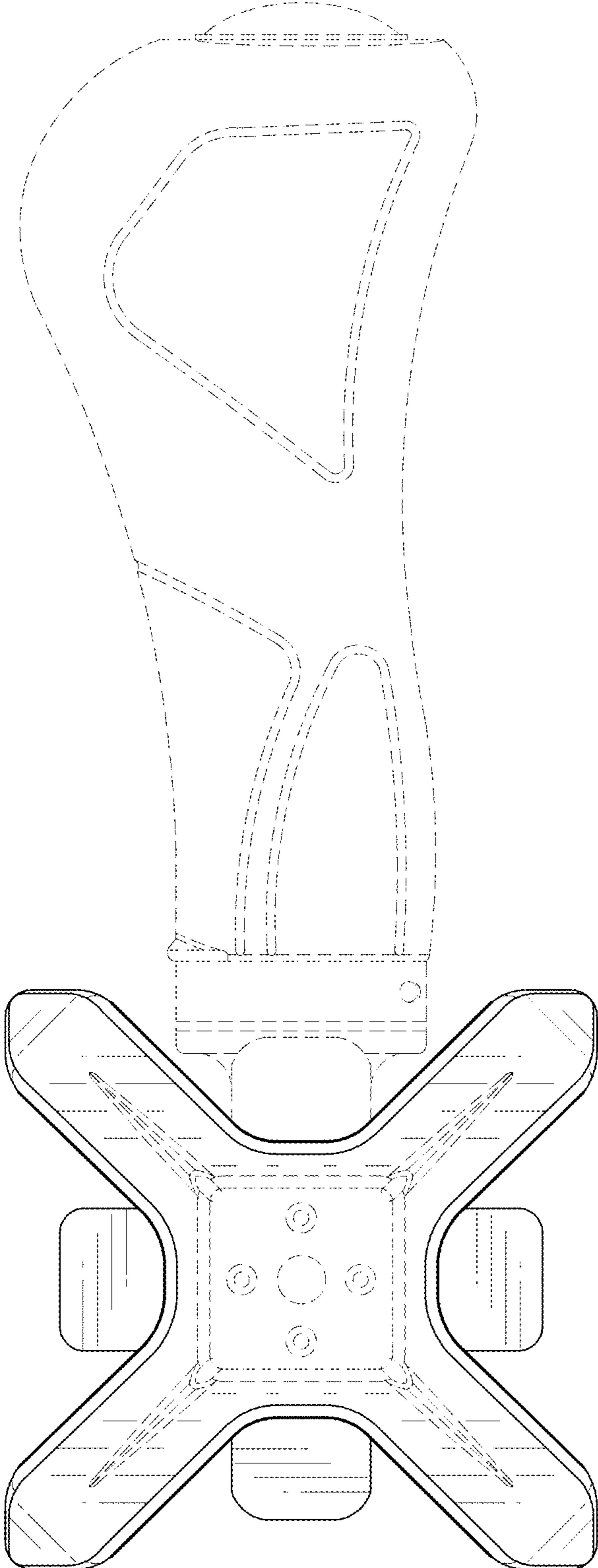


Fig-6

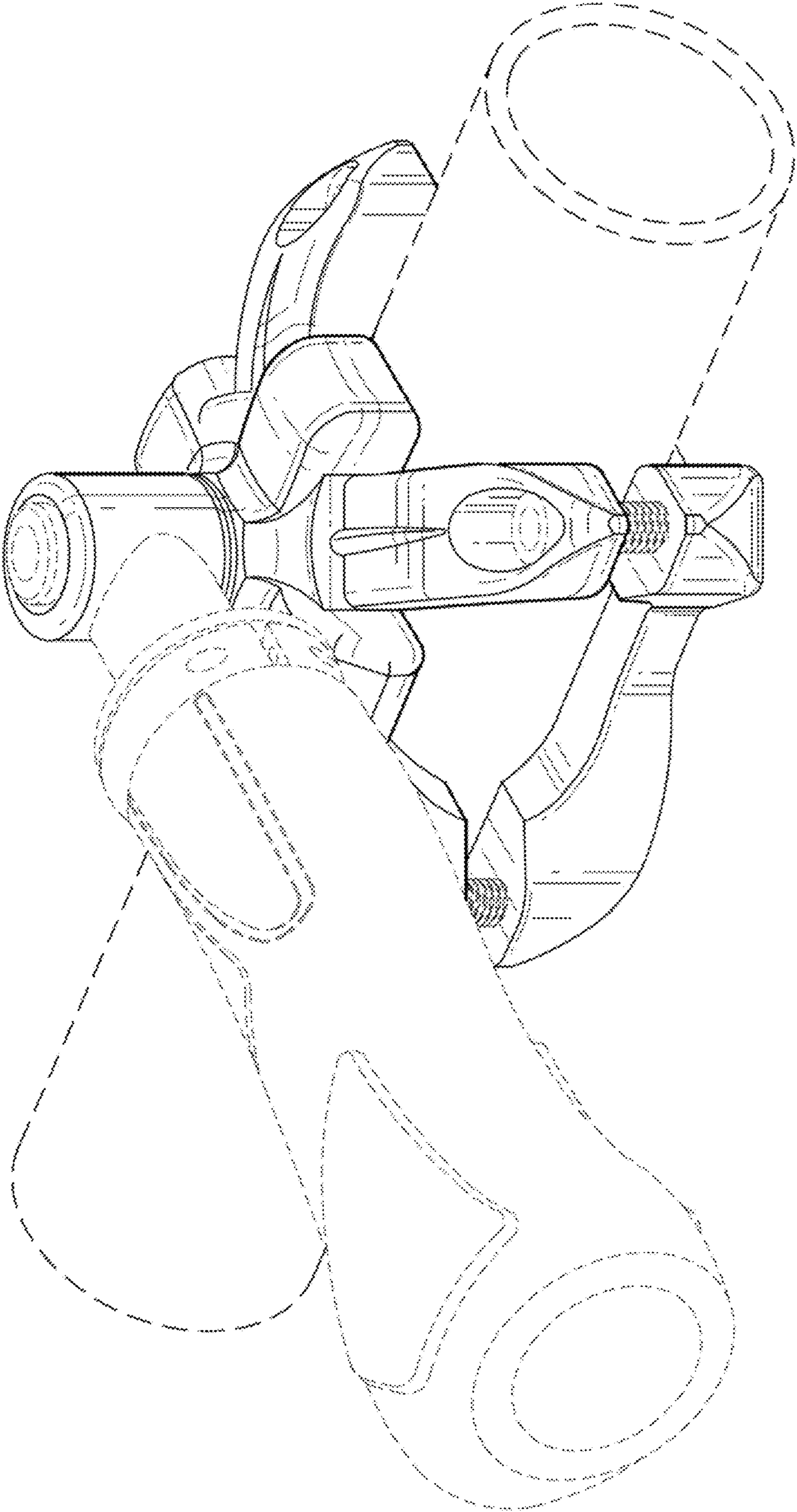


Fig-7