



US00D887259S

(12) **United States Design Patent** (10) **Patent No.:** **US D887,259 S**
Schwarzmann et al. (45) **Date of Patent:** **** Jun. 16, 2020**

- (54) **FASTENING DEVICE**
- (71) Applicant: **Julius Blum GmbH**, Hoechst (AT)
- (72) Inventors: **Guenter Schwarzmann**, Dornbirn (AT); **Markus Irgang**, Altach (AT); **Gerald Sperger**, Hard (AT)
- (73) Assignee: **JULIUS BLUM GMBH**, Hoechst (AT)
- (**) Term: **15 Years**
- (21) Appl. No.: **29/708,921**
- (22) Filed: **Oct. 10, 2019**

6,394,724 B1	5/2002	Kelly et al.	
D541,645 S	5/2007	Hutton	
D542,644 S	5/2007	Lee et al.	
D585,730 S	2/2009	Fernandez	
D652,929 S	1/2012	Sibhatu et al.	
D720,609 S	1/2015	David	
8,950,833 B2	2/2015	Bohle	
D799,313 S	10/2017	von Wilcke	
D799,950 S *	10/2017	von Wilcke	D8/393
D823,677 S	7/2018	Tung	
D829,087 S *	9/2018	Law	D8/387
D838,582 S *	1/2019	Szucs	D8/382
D847,595 S	5/2019	Hampton	
2002/0006320 A1 *	1/2002	Kupper	F16B 12/24 411/383
2012/0054992 A1 *	3/2012	Liu	F16B 12/24 24/573.11
2013/0014376 A1	1/2013	Komsitsky et al.	

(Continued)

Related U.S. Application Data

- (62) Division of application No. 29/653,835, filed on Jun. 19, 2018.

Foreign Application Priority Data

- Dec. 22, 2017 (EM) 1466296-0004
- (51) **LOC (12) Cl.** **08-08**
- (52) **U.S. Cl.**
USPC **D8/387**

Field of Classification Search

USPC D8/354, 382, 385, 387
 CPC .. F16B 23/00; F16B 23/0007; F16B 23/0023;
 F16B 25/00; F16B 35/00; F16B 12/10;
 F16B 12/14; F16B 12/22; F16B 12/24;
 F16B 12/30; F16B 12/36; F16B 12/46;
 A47B 88/941; A47B 2088/902; A47B
 2088/954

See application file for complete search history.

References Cited

U.S. PATENT DOCUMENTS

- D363,878 S 11/1995 Hayabusa
- D392,179 S 3/1998 Ropponen et al.

Primary Examiner — Sandra S Snapp
Assistant Examiner — Ieisha N Price
 (74) *Attorney, Agent, or Firm* — Wenderoth, Lind & Ponack, L.L.P.

(57) **CLAIM**

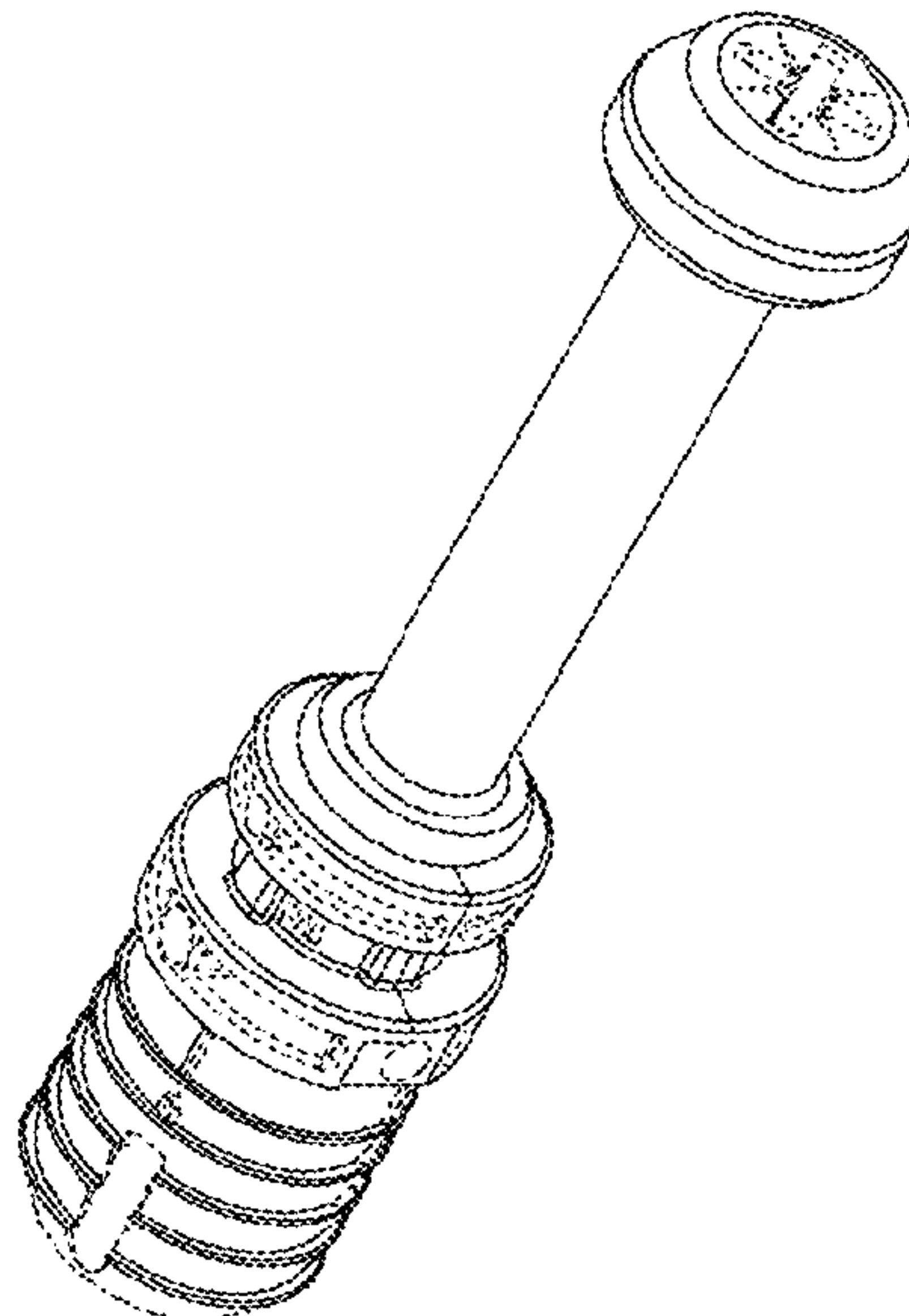
The ornamental design for a fastening device, as shown and described.

DESCRIPTION

FIG. 1 is a front perspective view of a fastening device;
 FIG. 2 is a front view thereof;
 FIG. 3 is a right side view thereof;
 FIG. 4 is a left side view thereof;
 FIG. 5 is a rear view thereof;
 FIG. 6 is a top view thereof; and,
 FIG. 7 is a bottom view thereof.

The broken lines in the drawings illustrate portions of the fastening device and form no part of the claimed design. The dot-dash-dot broken lines in the drawings define the bounds of the claim and form no part thereof.

1 Claim, 7 Drawing Sheets



(56)

References Cited

U.S. PATENT DOCUMENTS

2013/0260600 A1 10/2013 Shibata
2016/0108945 A1* 4/2016 Yang F16B 12/22
403/359.6
2018/0266473 A1 9/2018 Campbell et al.
2018/0372137 A1* 12/2018 Cattaneo A47B 47/042
2019/0024690 A1* 1/2019 Giovannetti F16B 12/2027
2019/0195258 A1* 6/2019 Zimmer F16B 12/24
2019/0242420 A1* 8/2019 Dietrich F16B 12/20

* cited by examiner

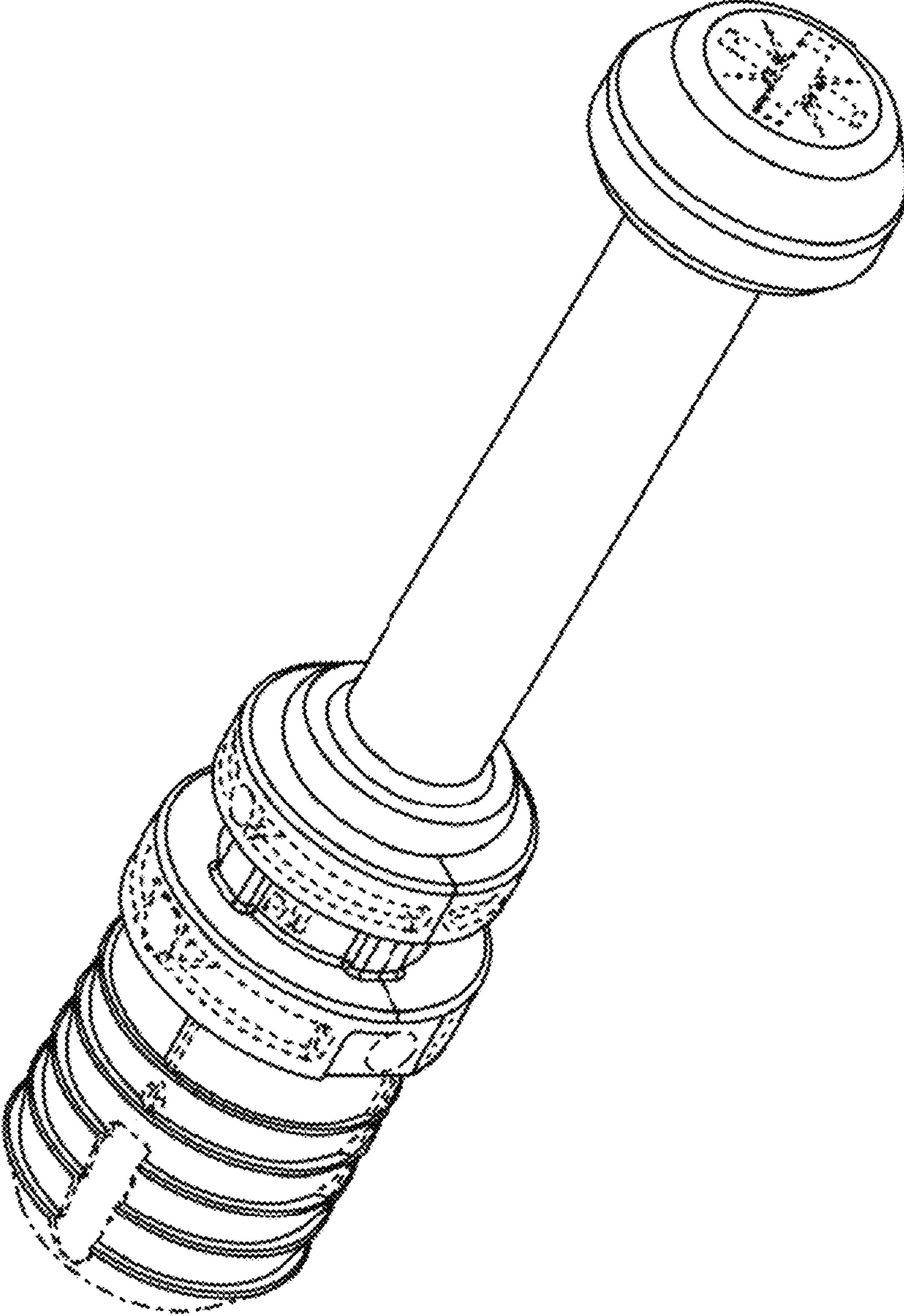


Fig. 1

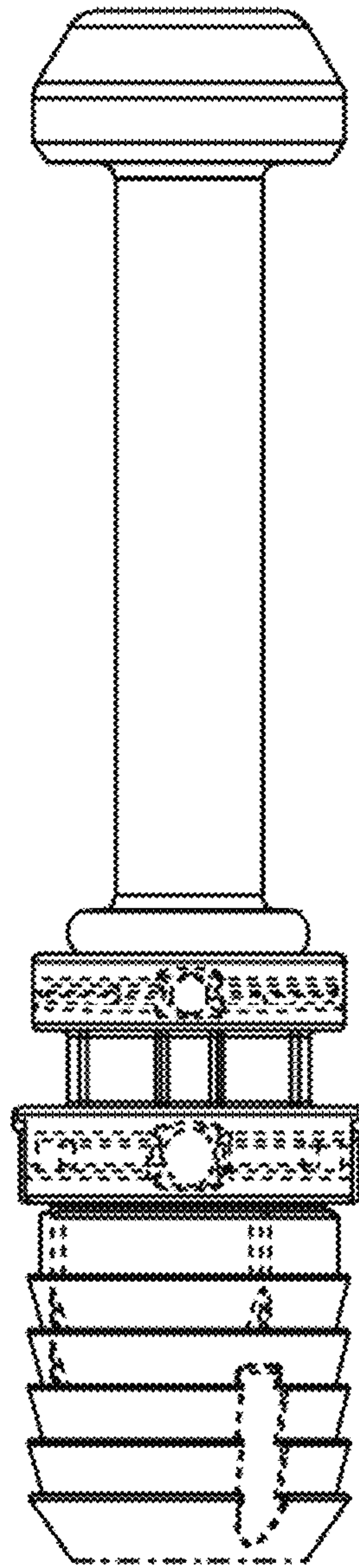


Fig. 2

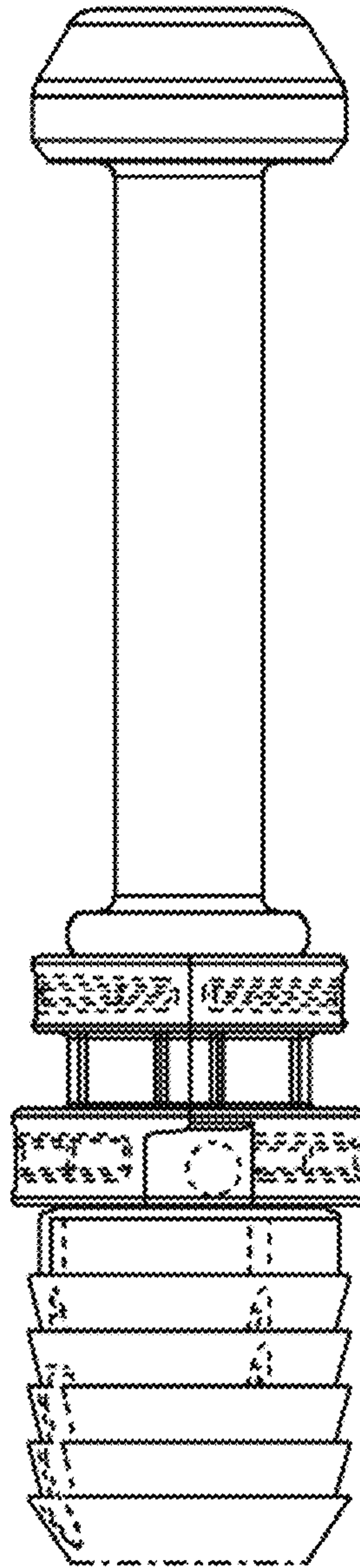


Fig. 3

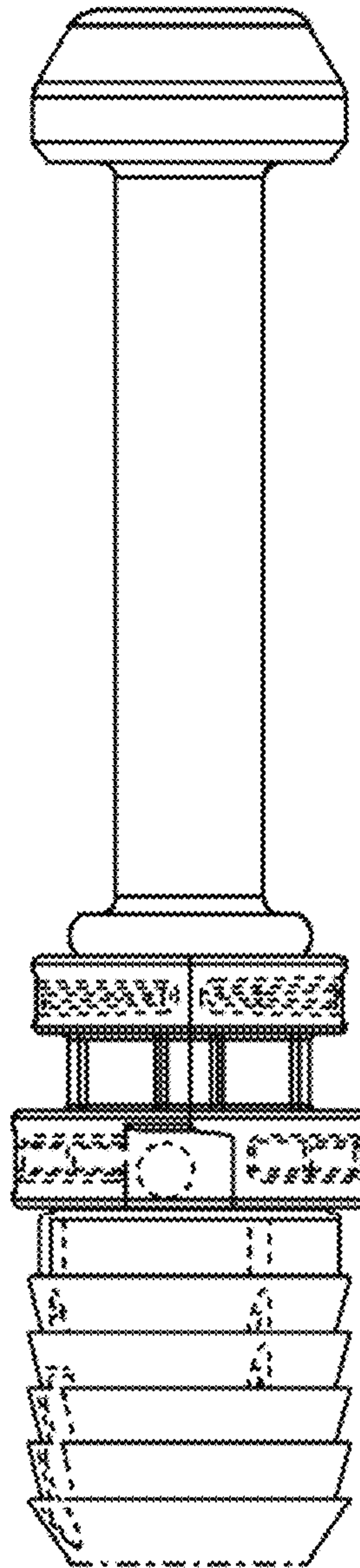


Fig. 4

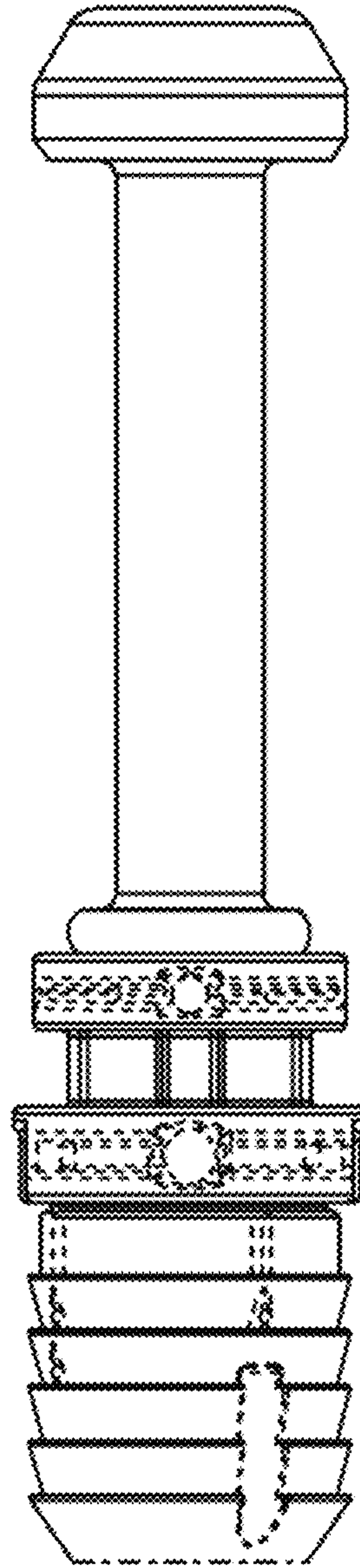


Fig. 5

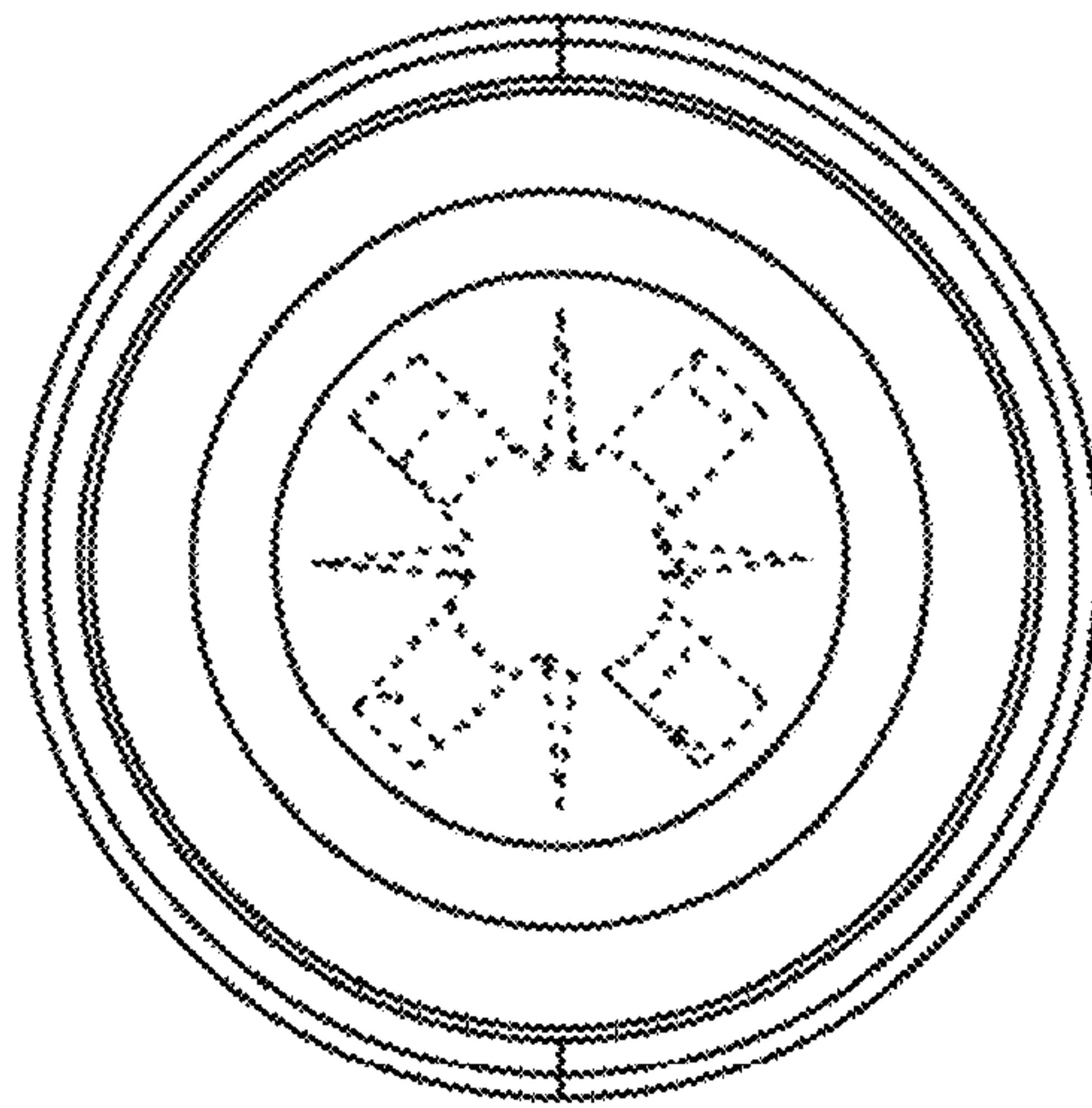


Fig. 6

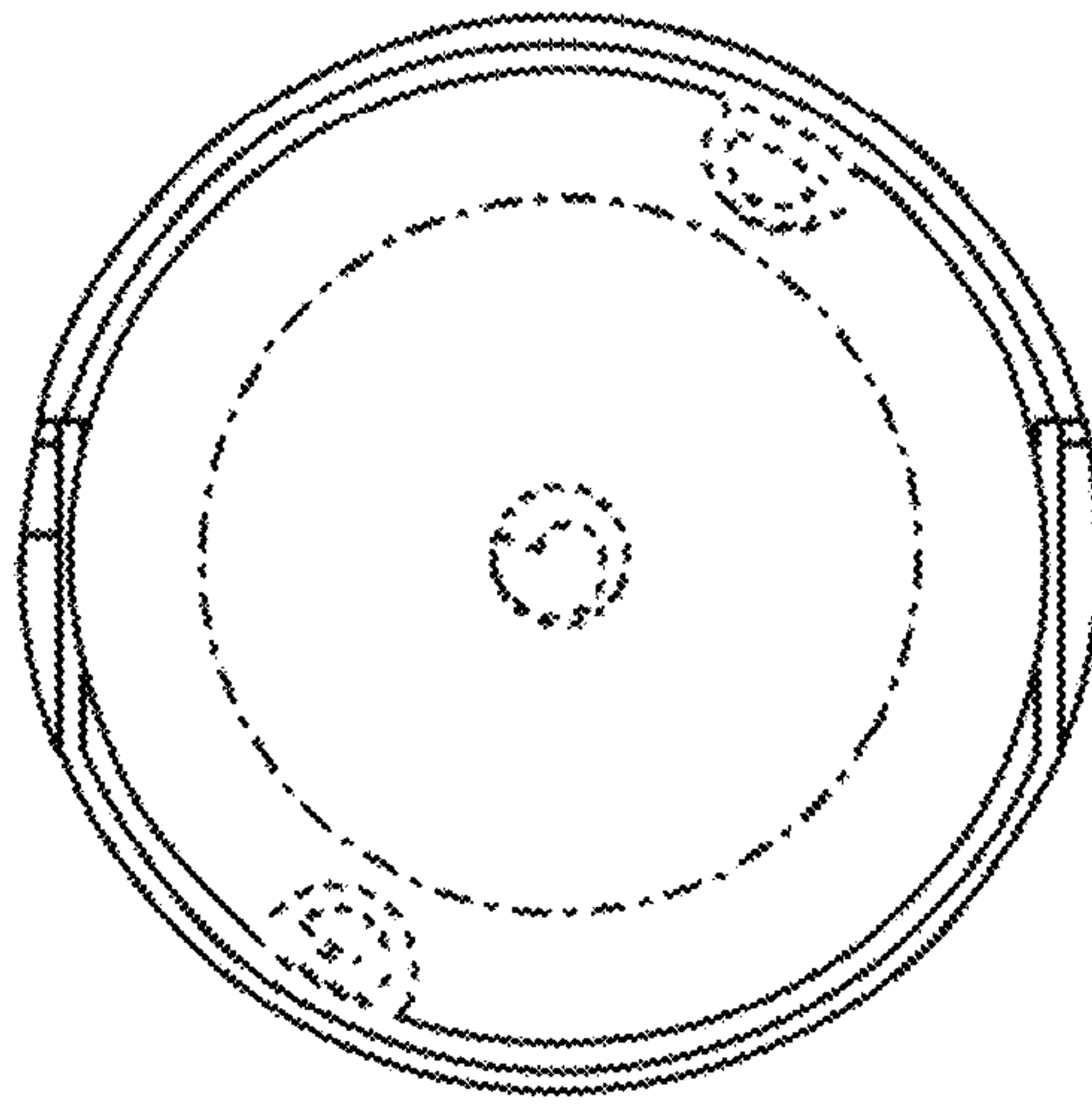


Fig. 7