



US00D887257S

(12) **United States Design Patent**
Becker

(10) **Patent No.:** **US D887,257 S**
(45) **Date of Patent:** **** Jun. 16, 2020**

(54) **FOUNDATION BOLT SUSPENSION DEVICE**

(71) Applicant: **Louis A. Becker**, Sacramento, CA (US)

(72) Inventor: **Louis A. Becker**, Sacramento, CA (US)

(**) Term: **15 Years**

(21) Appl. No.: **29/639,431**

(22) Filed: **Mar. 6, 2018**

(51) **LOC (12) Cl.** **08-05**

(52) **U.S. Cl.**
USPC **D8/380**

(58) **Field of Classification Search**
USPC D8/349, 354, 366, 373, 380, 381
CPC . E04G 21/162; E04G 21/1841; E04G 21/185;
E04G 21/00; E04B 1/20; E04B 1/21;
E04B 1/215; E04B 1/24; E04B 1/2403;
E04B 1/28; E04B 1/30; E04B 1/38; E04B
1/41; E04B 1/4114; E04B 1/483; E04B
2001/2406; E04B 2001/2415; E04B
2001/2418; E04B 2001/405; E04B 1/00;
F16B 7/00; F16B 7/04; F16B 7/18; F16B
7/187

See application file for complete search history.

(56) **References Cited**

U.S. PATENT DOCUMENTS

4,202,149	A *	5/1980	Betrue, Sr.	E04B 1/0007 52/699
D283,506	S *	4/1986	Jencks	D8/354
D289,007	S *	3/1987	Garcia	D8/354
D306,133	S *	2/1990	Zupancic	D8/354
D309,249	S *	7/1990	Crowley	D8/354
D312,382	S *	11/1990	Ryll	D8/349
D317,250	S *	6/1991	Shook	D8/380
D318,785	S *	8/1991	Dean	D8/349
D337,513	S *	7/1993	Soloway	D8/373
D337,514	S *	7/1993	Nasca	D8/373

5,337,534	A *	8/1994	Nasca	E04G 21/185 249/93
D370,171	S *	5/1996	Emerson	D8/354
5,688,428	A *	11/1997	Maguire	E04G 21/185 249/219.1
5,729,939	A *	3/1998	Di Benedetto	E04B 1/41 52/293.3
D409,895	S *	5/1999	Schron, Jr.	D8/349
5,937,609	A *	8/1999	Roth	E04B 1/4121 52/698
D415,950	S *	11/1999	Anderson	D8/354
6,070,375	A *	6/2000	Anderson	E06B 1/28 52/204.54
D494,050	S *	8/2004	Klein	D8/373
D494,051	S *	8/2004	Klein	D8/373
D543,834	S *	6/2007	Worthy	D8/354
D741,688	S *	10/2015	James	D8/349
D820,664	S *	6/2018	Allen	D8/354
D839,083	S *	1/2019	Silva	D8/354

(Continued)

Primary Examiner — Llorellys Martinez

(74) *Attorney, Agent, or Firm* — QuickPatents, LLC;
Kevin Prince

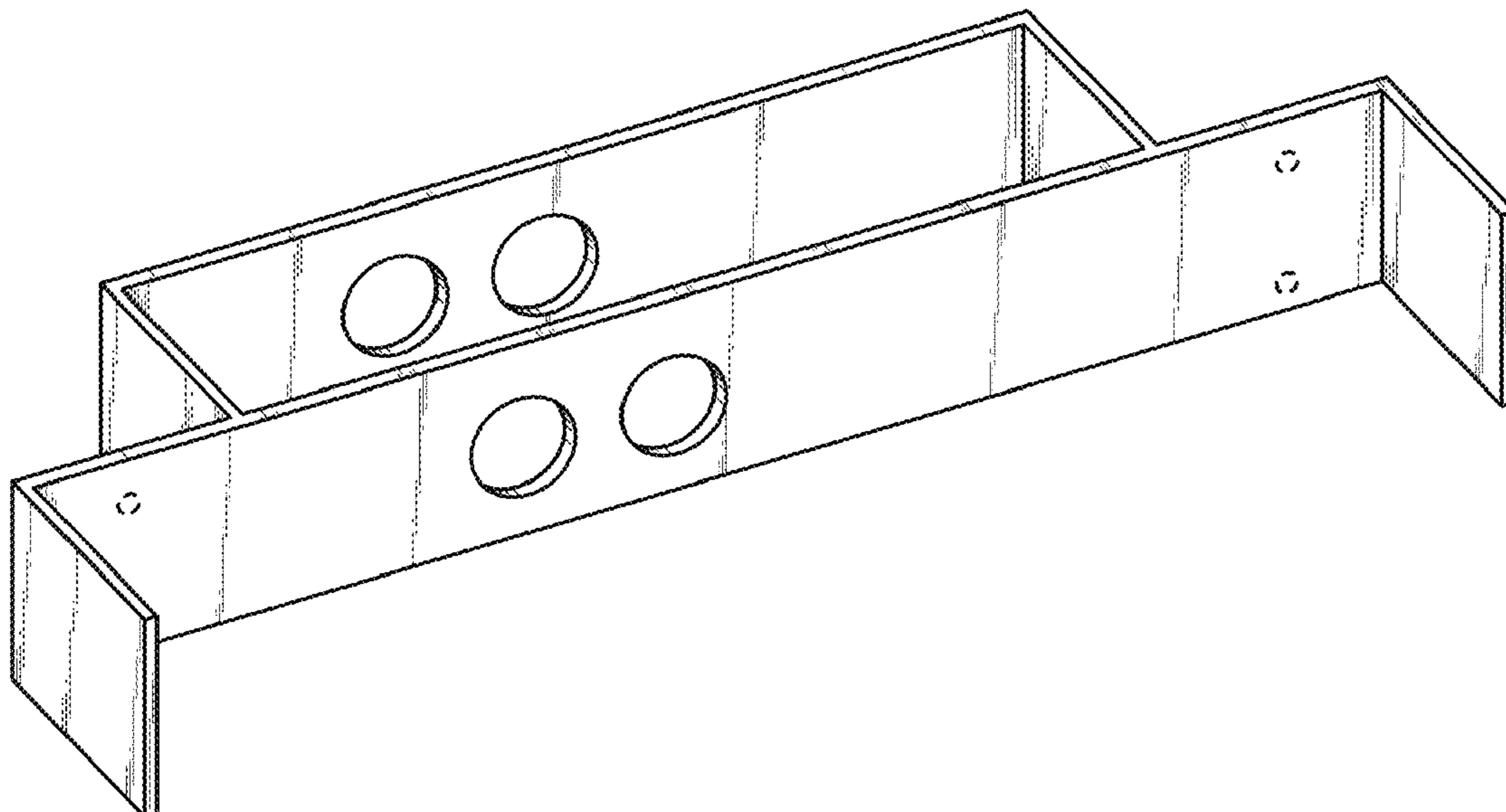
(57) **CLAIM**

I claim the ornamental design for a foundation bolt suspension device, as shown and described.

DESCRIPTION

FIG. 1 is a perspective view of a foundation bolt suspension device showing my new design;
FIG. 2 is a bottom plan view of FIG. 1;
FIG. 3 is a top plan view of FIG. 1;
FIG. 4 is a front elevation view of FIG. 1, the rear elevation view being a mirror image thereof; and,
FIG. 5 is a right side elevation view of FIG. 1, the left side elevation view being a mirror image thereof.
The broken lines in the drawings illustrate portions of the foundation bolt suspension device that form no part of the claimed design.

1 Claim, 2 Drawing Sheets



(56)

References Cited

U.S. PATENT DOCUMENTS

D869,936 S * 12/2019 Smith D8/349
2003/0101670 A1 * 6/2003 Gustin E04G 21/185
52/293.1
2007/0236023 A1 * 10/2007 Beery E04G 21/185
292/341.14
2008/0053012 A1 * 3/2008 Scanlan E04G 21/1841
52/204.2
2011/0078975 A1 * 4/2011 Spruiell E04B 1/2608
52/742.15

* cited by examiner

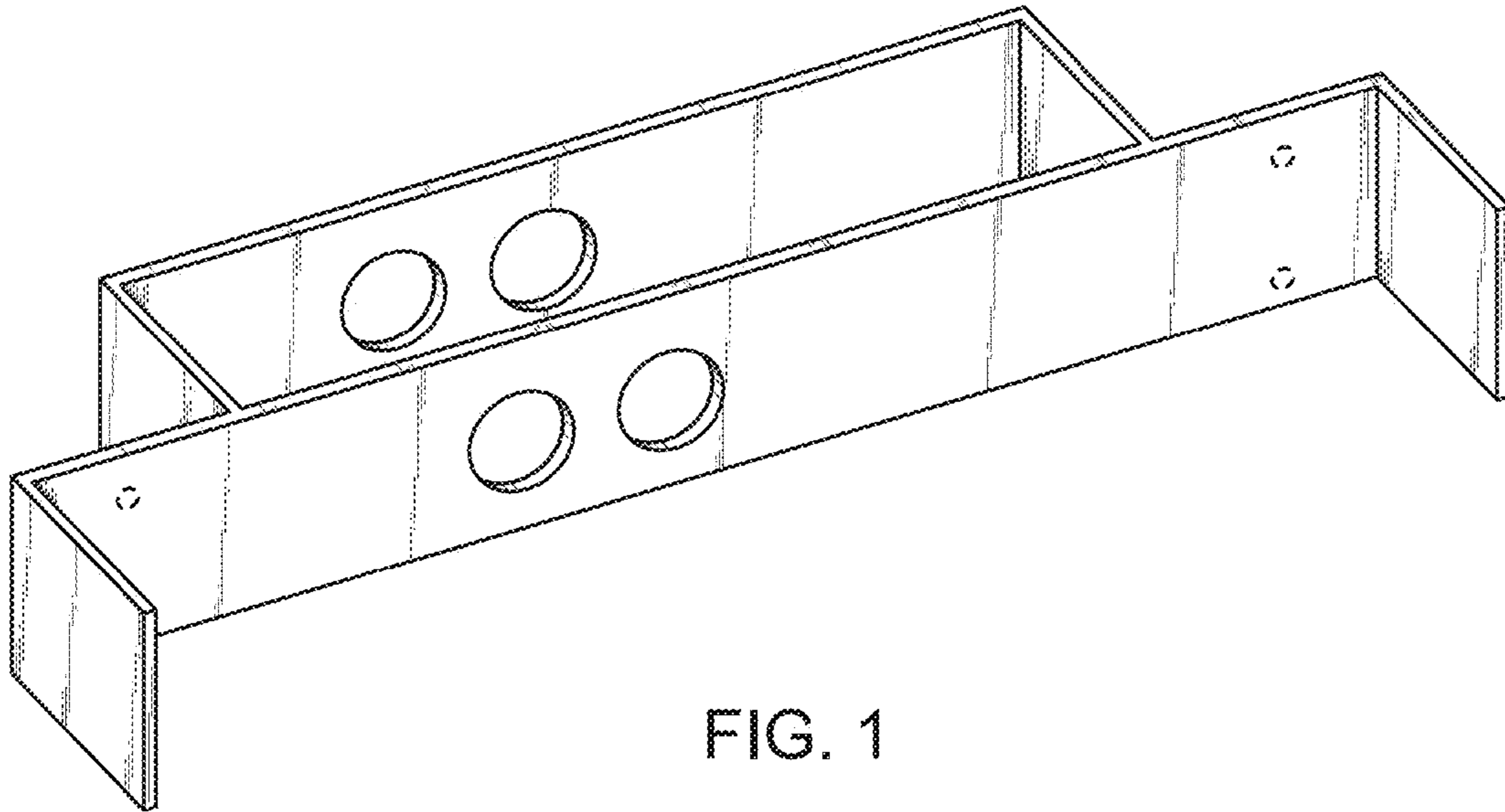


FIG. 1

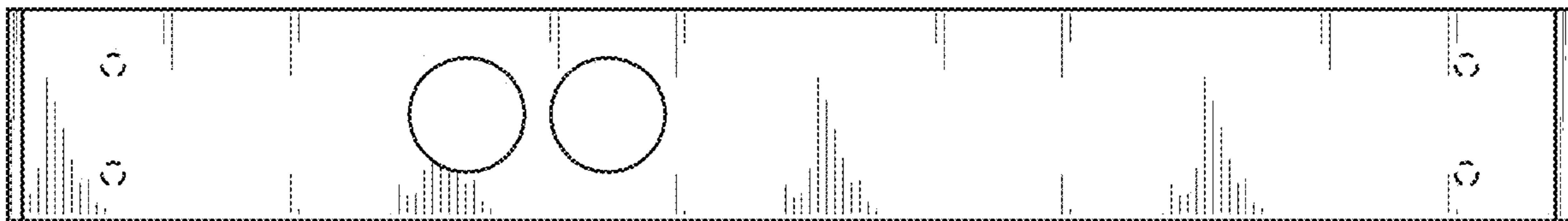


FIG. 2

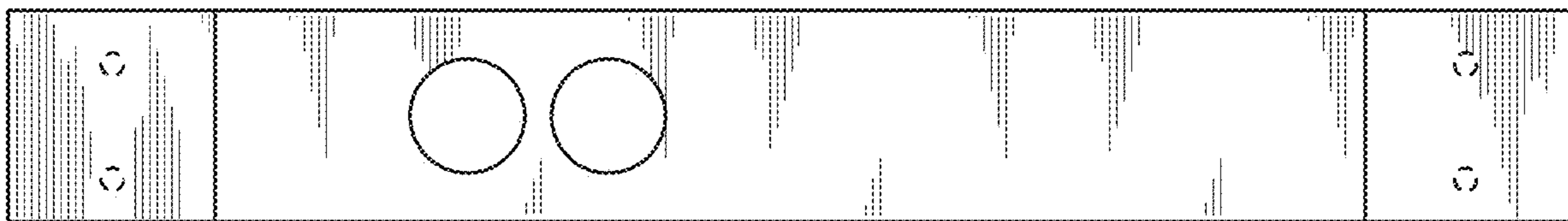


FIG. 3

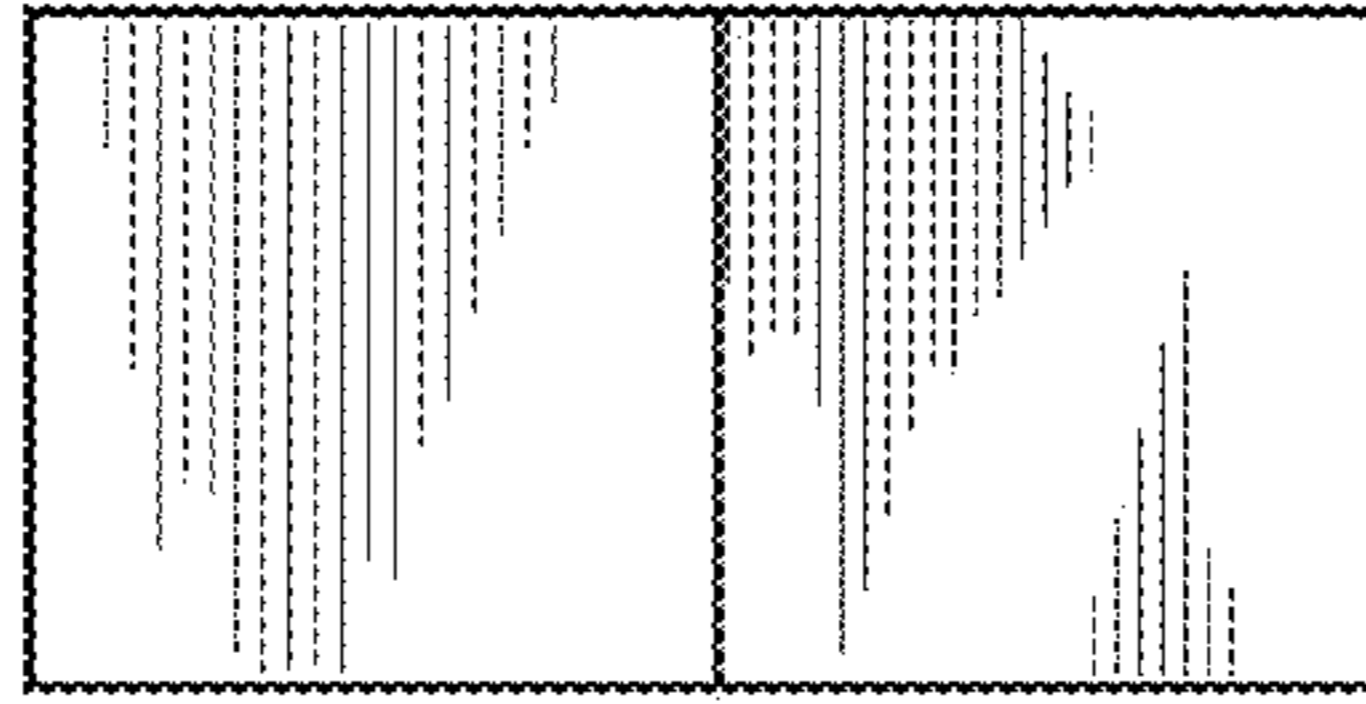


FIG. 4

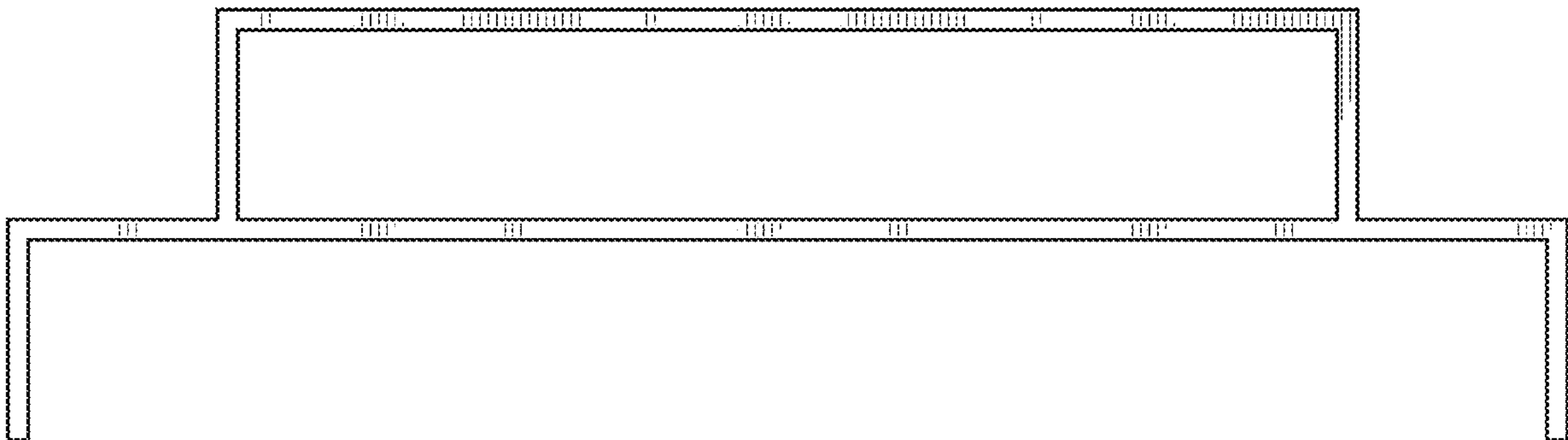


FIG. 5