



US00D887256S

(12) **United States Design Patent** (10) **Patent No.:** **US D887,256 S**  
**Perrin** (45) **Date of Patent:** **\*\* Jun. 16, 2020**

(54) **TABLE LEVELER**

(71) Applicant: **Denis Perrin**, Wilton Manors, FL (US)

(72) Inventor: **Denis Perrin**, Wilton Manors, FL (US)

(73) Assignee: **Rketypepe Solutions Inc.**, Wilton Manors, FL (US)

(\*\*) Term: **15 Years**

(21) Appl. No.: **29/549,962**

(22) Filed: **Dec. 29, 2015**

(51) **LOC (12) Cl.** ..... **08-05**

(52) **U.S. Cl.**  
USPC ..... **D8/374**

(58) **Field of Classification Search**

USPC ..... D8/354, 373, 374; D27/133  
CPC .. A24F 19/00; A24F 19/0014; A24F 19/0035;  
A24F 19/0071; A01M 2200/012; A01M  
1/04; A01M 1/145; A01M 1/08; A01M  
1/2016; F16M 7/00; F16M 11/10; A47B  
91/02; A47C 7/002; A47C 3/38

See application file for complete search history.

(56) **References Cited**

**U.S. PATENT DOCUMENTS**

3,030,730	A *	4/1962	Costar	.....	A47B 91/02 248/188.2
4,830,320	A *	5/1989	Bellows	.....	A47B 91/12 248/188.2
D538,150	S *	3/2007	Burns	.....	D8/402
D560,485	S *	1/2008	Lavelle	.....	D8/402
7,520,483	B2 *	4/2009	Rand	.....	A47G 7/02 248/346.06
7,784,751	B1 *	8/2010	Bellows	.....	A47B 91/02 248/188.2
D651,876	S *	1/2012	Davidian	.....	D10/64
D712,726	S *	9/2014	Perrin	.....	D8/374

(Continued)

**OTHER PUBLICATIONS**

Pro Leveler, posted unknown, [retrieved Jun. 21, 2018]. Retrieved from Internet, <URL: <https://www.proleveler.com/>>.\*

(Continued)

*Primary Examiner* — Shannon W Morgan

*Assistant Examiner* — Kristin E Reed

(74) *Attorney, Agent, or Firm* — Indrajana Law Group, a PLC

(57) **CLAIM**

The ornamental design for a table leveler, as shown and described.

**DESCRIPTION**

FIG. 1 is a top bottom perspective view of a table leveler incorporating the new design.

FIG. 2 is an alternate top perspective view thereof of a table leveler incorporating the new design.

FIG. 3 is a bottom view thereof bottom perspective view of a table leveler incorporating the new design.

FIG. 4 is a front elevational view thereof. an alternate bottom perspective view of a table leveler incorporating the new design.

FIG. 5 is a left elevational view thereof. top plan view of a table leveler incorporating the new design.

FIG. 6 is a rear elevational view thereof bottom plan view of a table leveler incorporating the new design.

FIG. 7 is a right elevational view thereof front elevational view of a table leveler incorporating the new design.

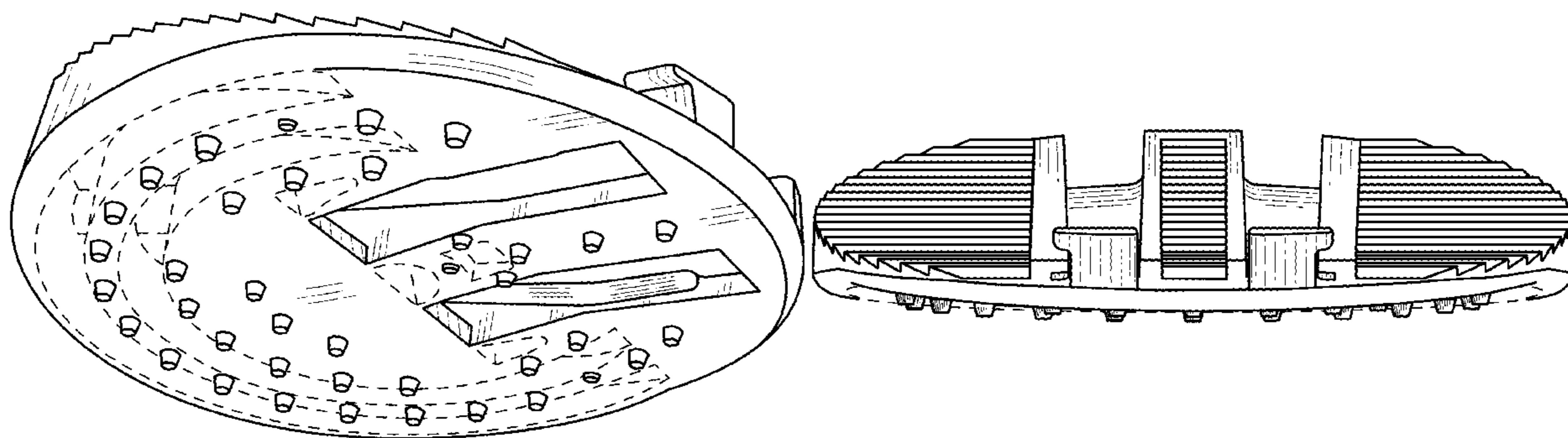
FIG. 8 is a top plan view thereof rear elevational view of a table leveler incorporating the new design.

FIG. 9 is a top perspective view thereof side elevational view of a table leveler incorporating the new design; and,

FIG. 10 is an alternate top perspective view. opposite side elevational view of a table leveler incorporating the new design.

The broken lines in the drawings illustrate portions of the table leveler which form no part of the claimed design.

**1 Claim, 10 Drawing Sheets**



(56)

**References Cited**

U.S. PATENT DOCUMENTS

9,073,200 B2 \* 7/2015 Wong ..... B25G 1/102  
D752,959 S \* 4/2016 Perrin ..... D8/374  
9,717,336 B1 \* 8/2017 Apple ..... A47B 91/12  
2014/0217095 A1 \* 8/2014 Scivoletto ..... B65D 51/24  
220/212  
2015/0289649 A1 \* 10/2015 Perrin ..... A47B 91/12  
248/346.06

OTHER PUBLICATIONS

Wobble Wedges Technical Specifications, posted Sep. 2017, [retrieved Jun. 21, 2018]. Retrieved from Internet, <URL: <https://wobblewedges.com/wp-content/uploads/2017/09/Tech-Specs.pdf> >.\*

\* cited by examiner

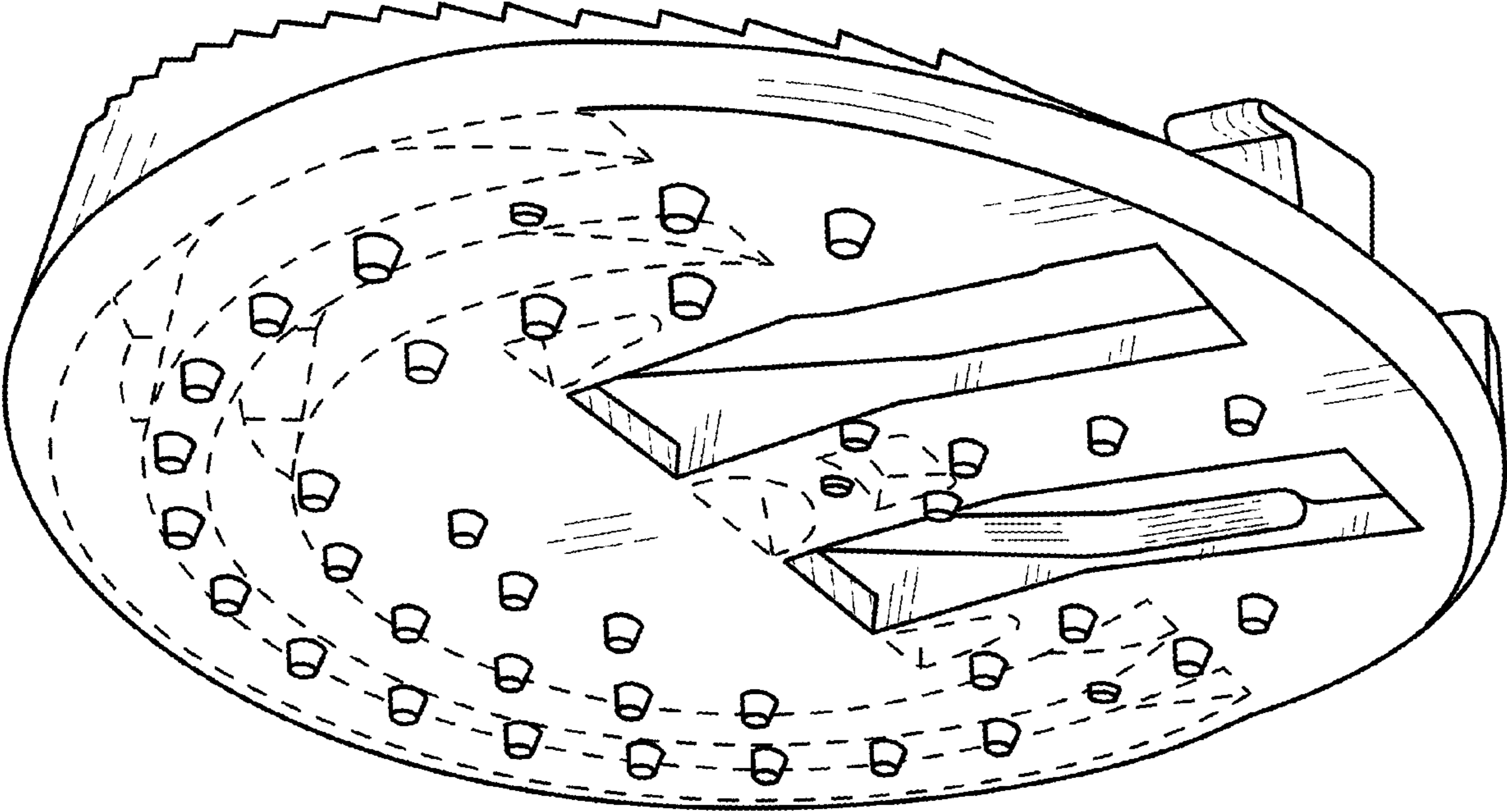


FIG. 1

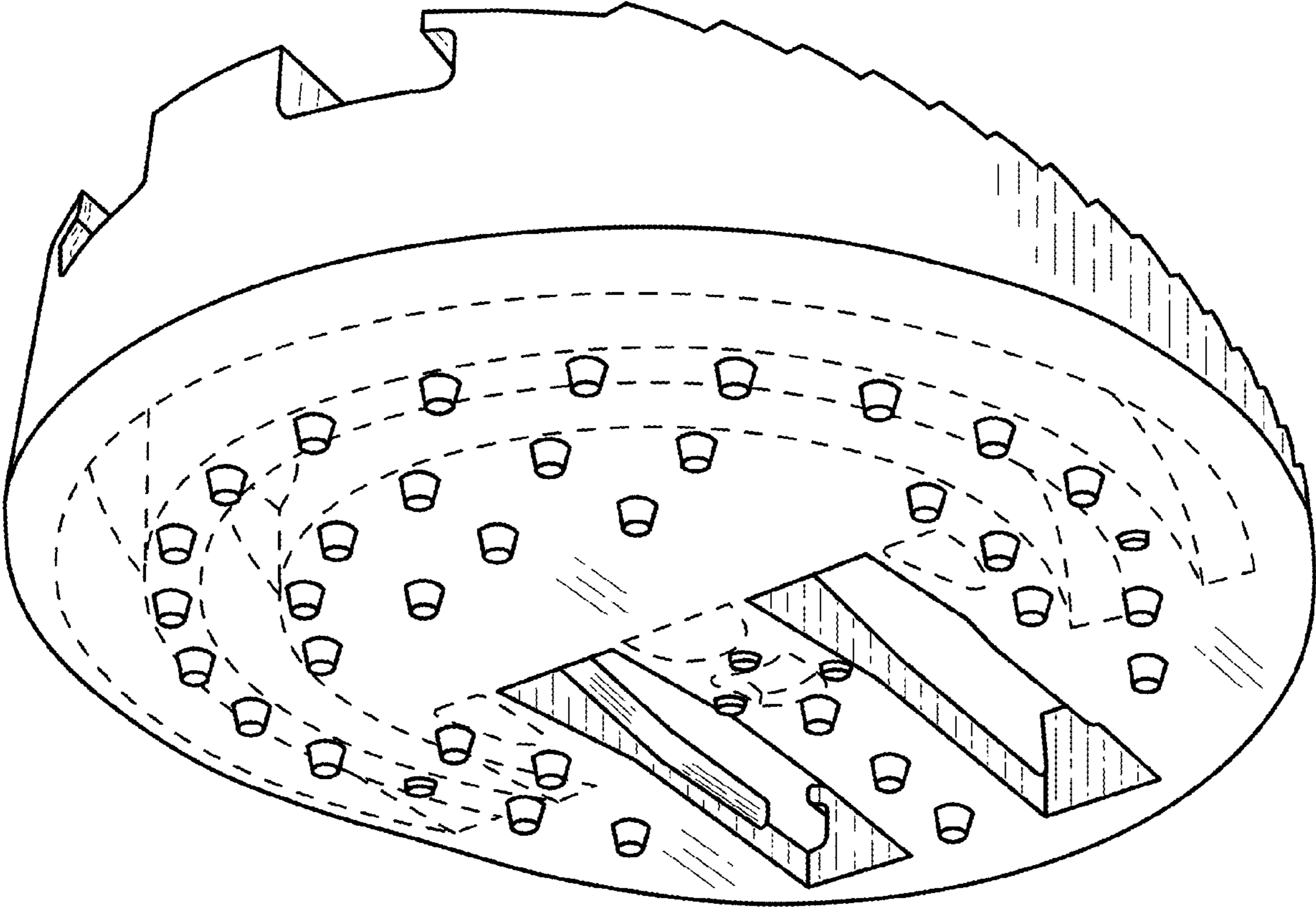


FIG. 2



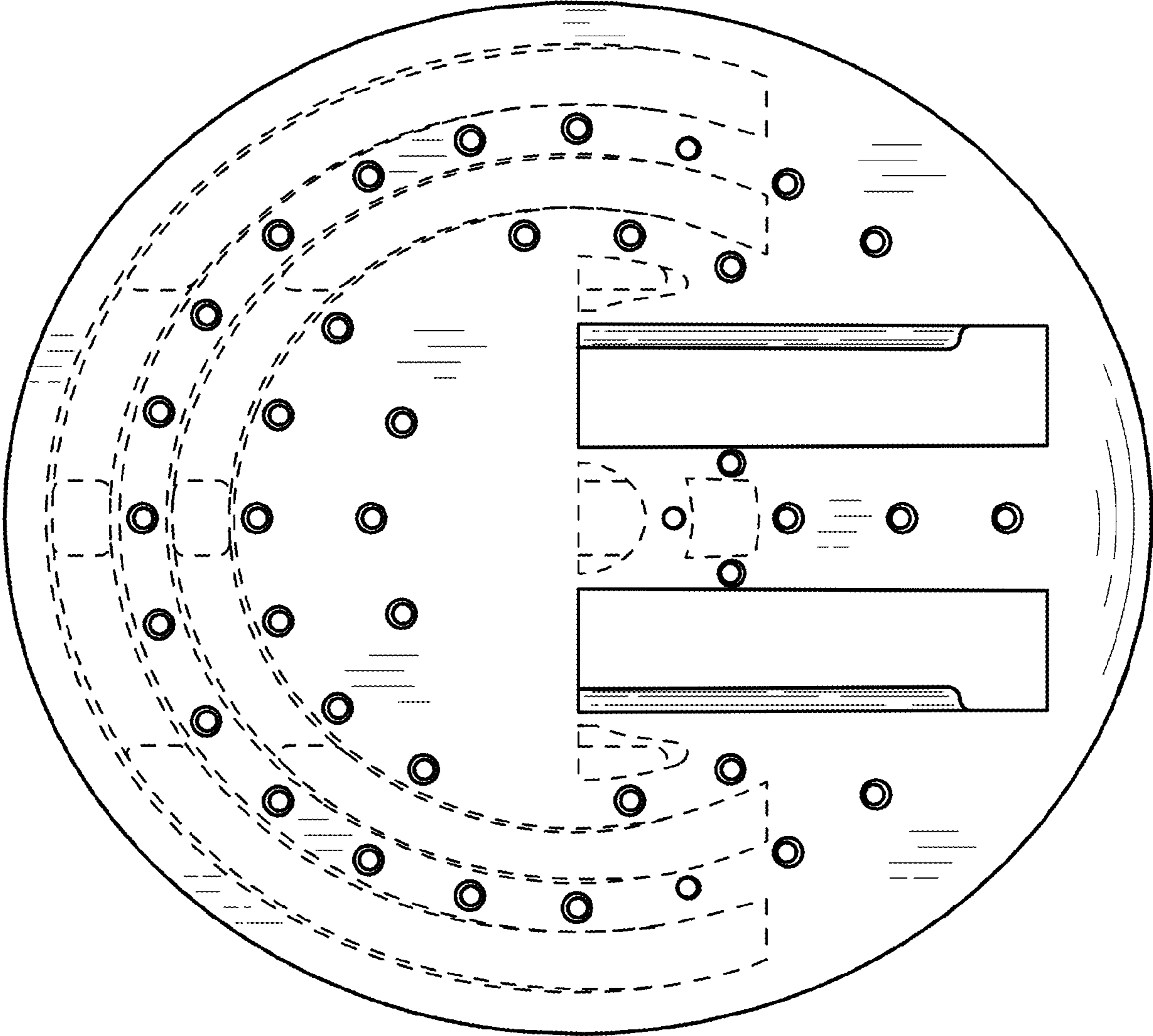


FIG. 3

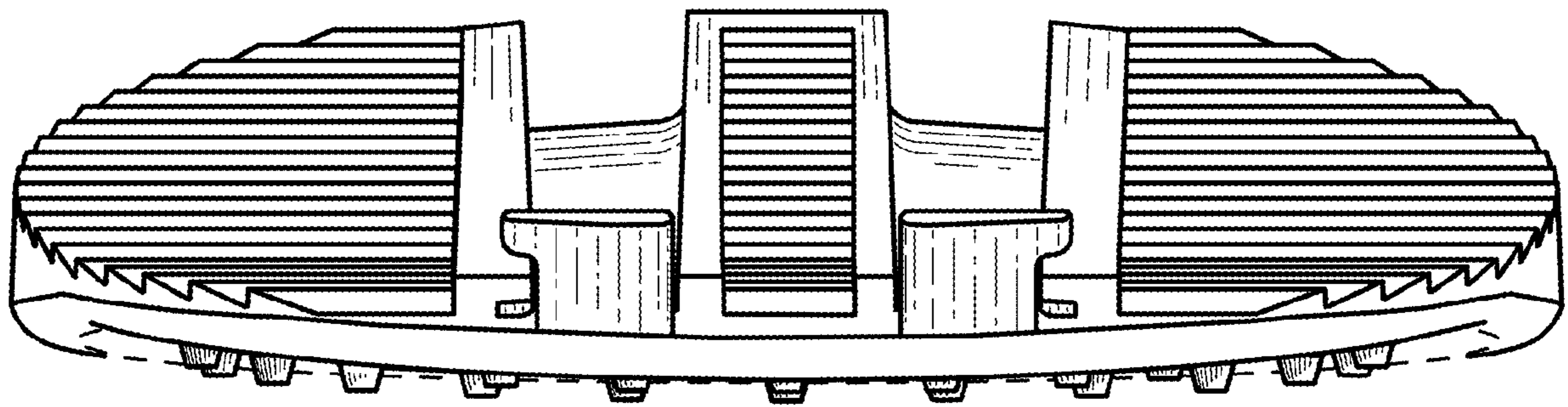


FIG. 4

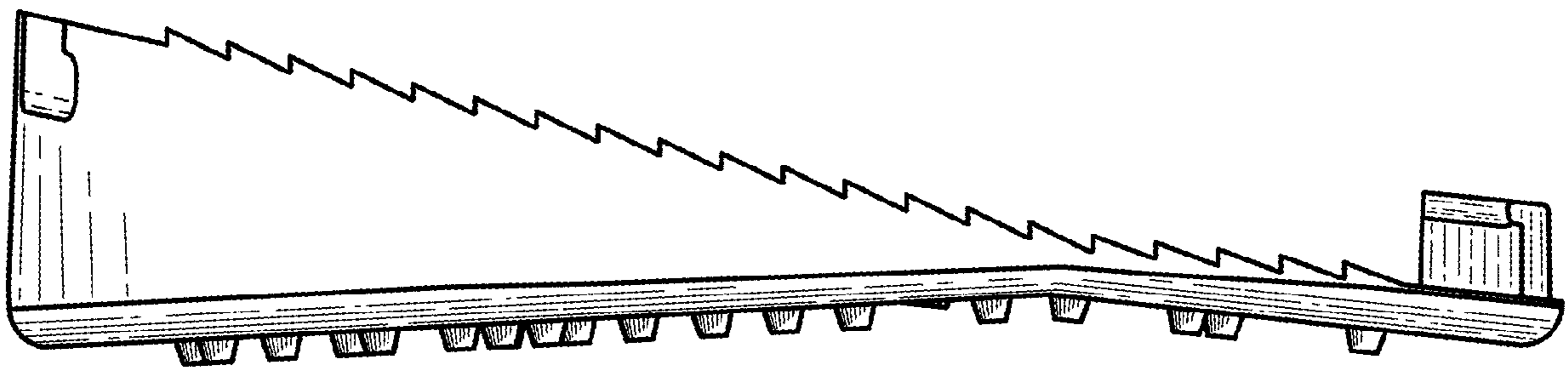


FIG. 5

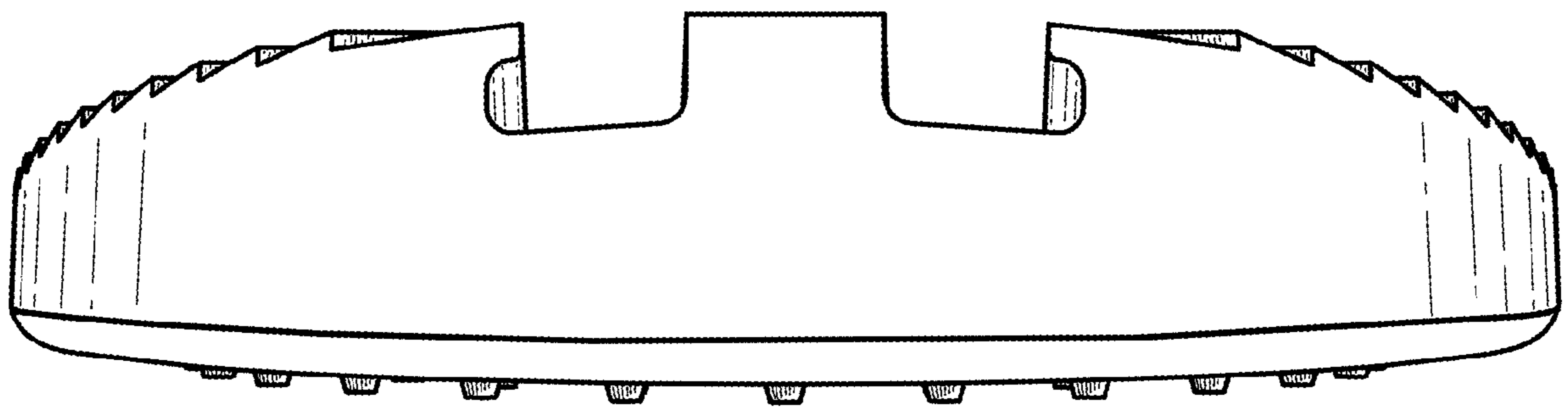


FIG. 6



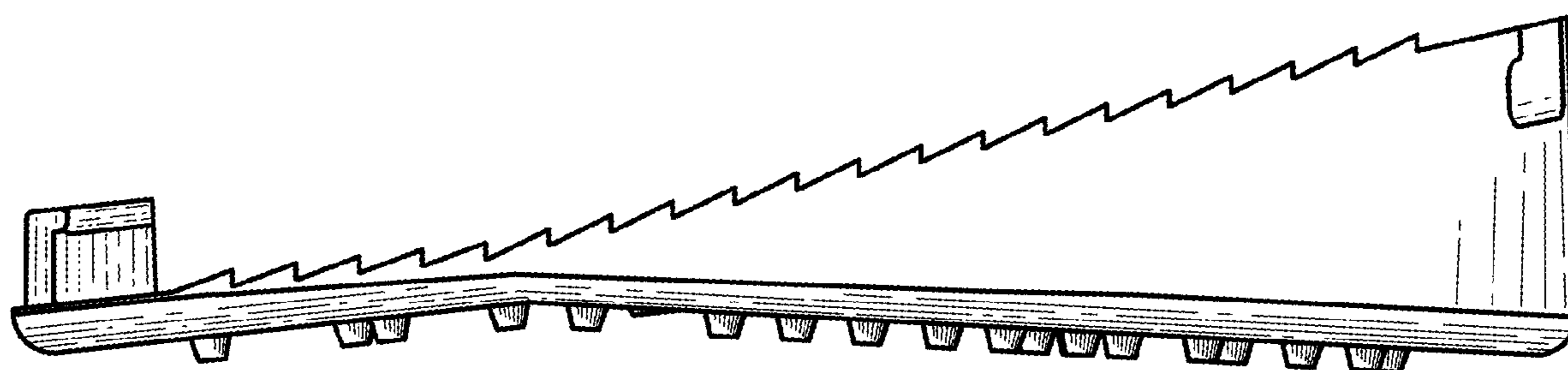


FIG. 7

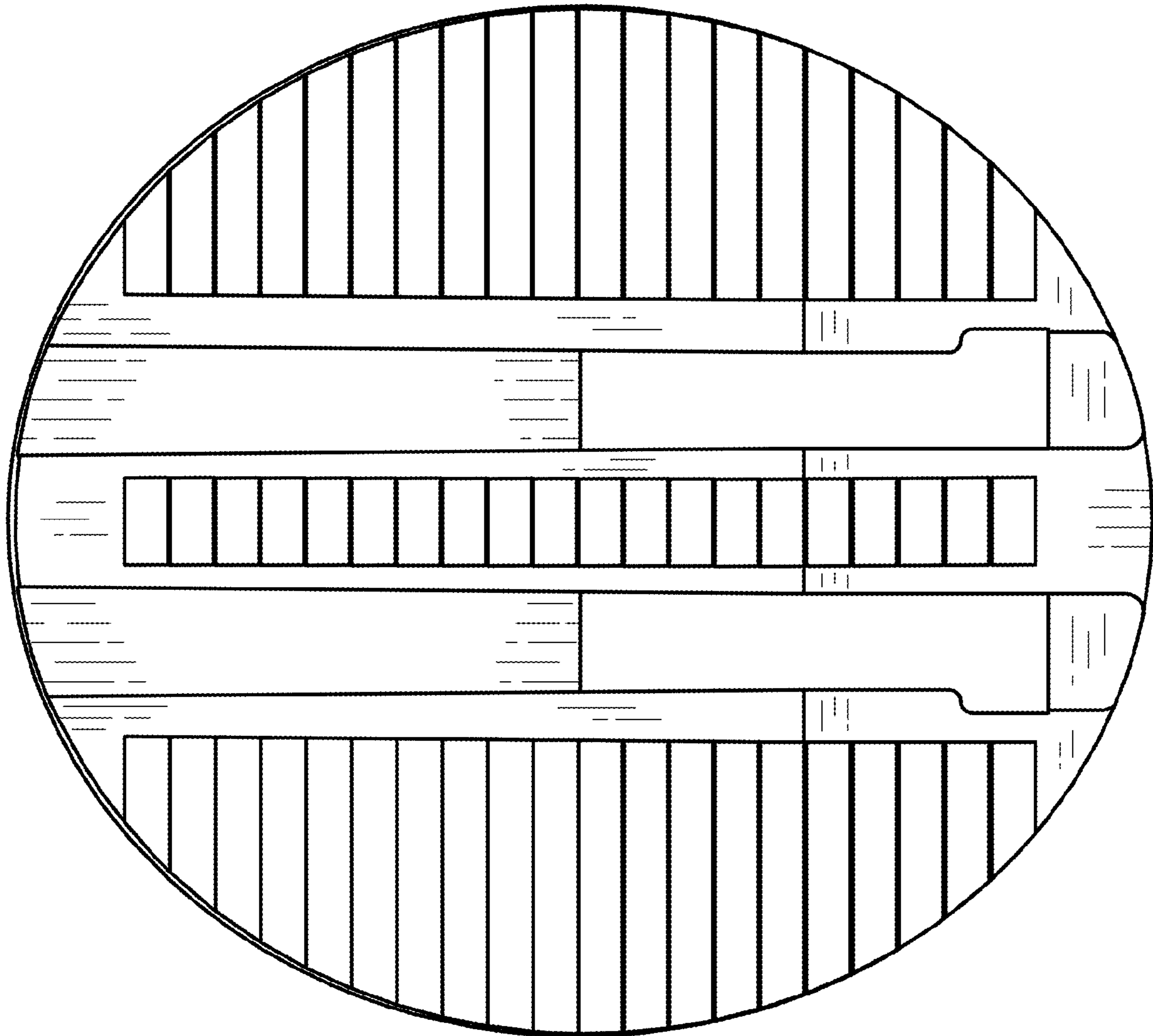


FIG. 8

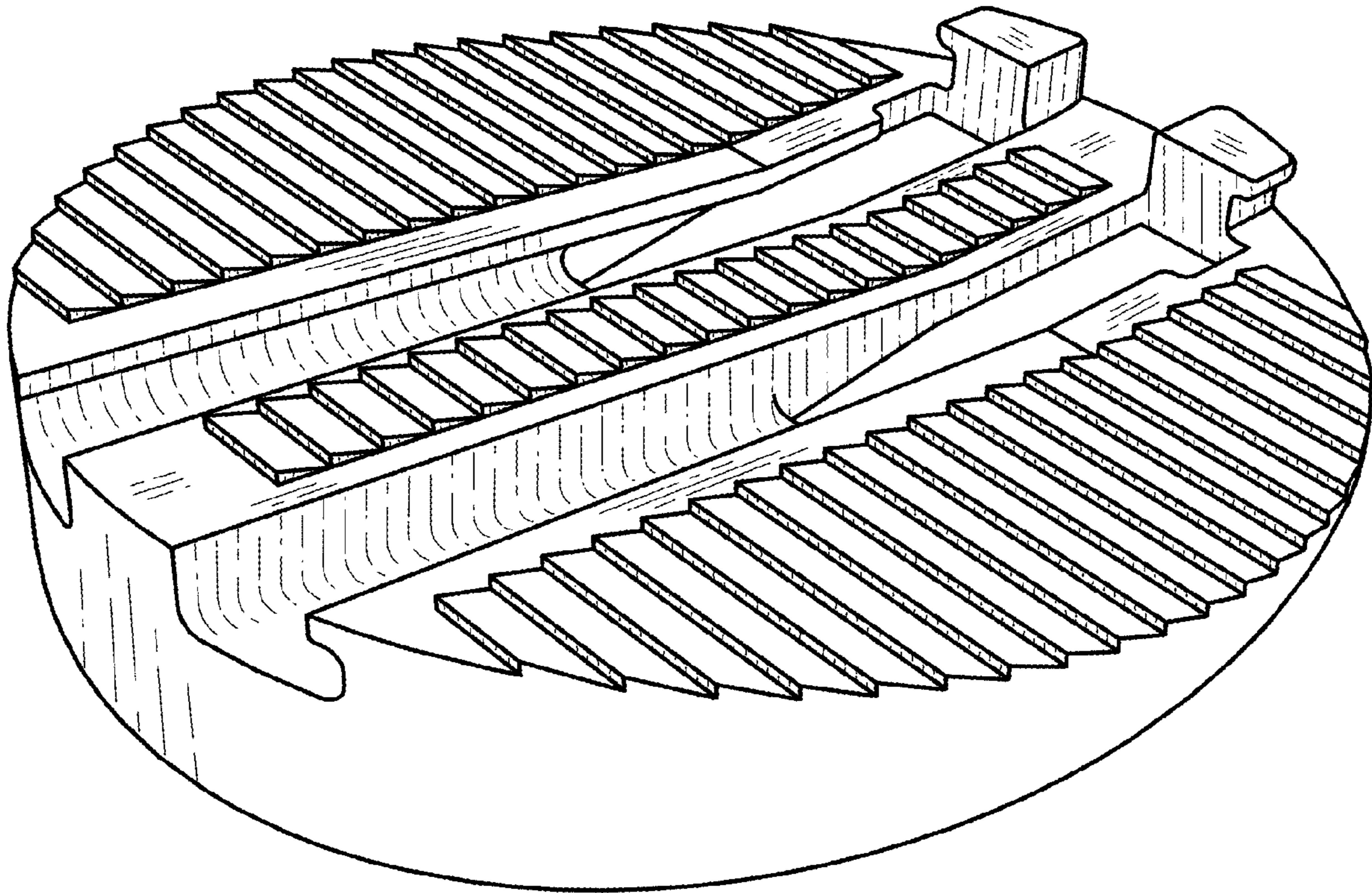


FIG. 9

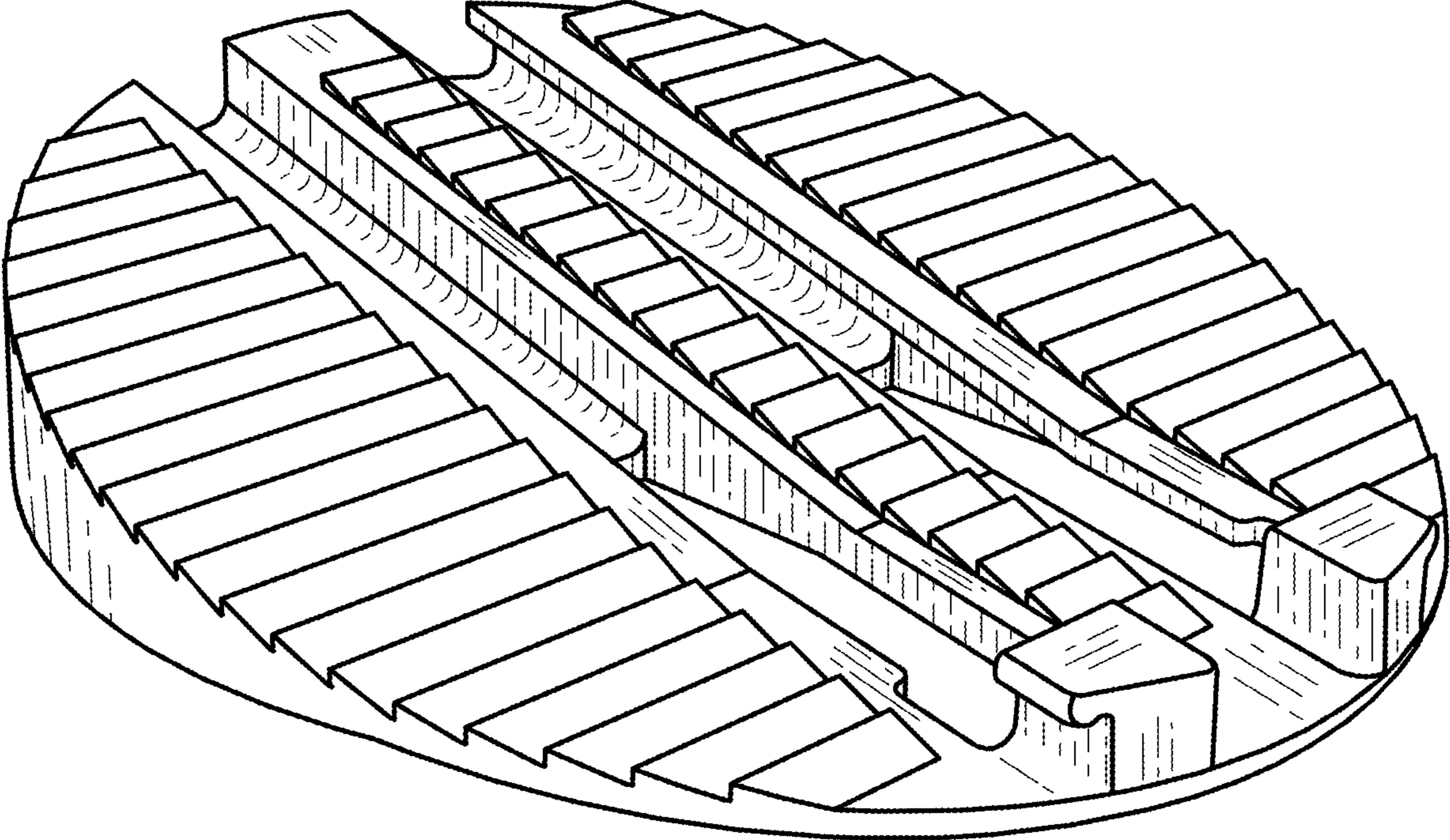


FIG. 10