



US00D887254S

(12) **United States Design Patent** (10) **Patent No.:** **US D887,254 S**
Bond et al. (45) **Date of Patent:** **** Jun. 16, 2020**

- (54) **WALL HANGER HOOK**
- (71) Applicant: **Velcro BVBA**, Deinze (BE)
- (72) Inventors: **Brian Michael Bond**, Woburn, MA (US); **Derrick Slowikowski**, Londonderry, NH (US); **Gregory K. Kopanski**, Candia, NH (US); **Mark C. Matthews**, Scituate, MA (US); **Jeffrey Mekler**, Cambridge, MA (US); **Evan A. Hutker**, Dedham, MA (US)
- (73) Assignee: **Velcro BVBA**, Deinze (BE)
- (**) Term: **15 Years**
- (21) Appl. No.: **29/627,711**
- (22) Filed: **Nov. 29, 2017**
- (51) **LOC (12) Cl.** **08-05**
- (52) **U.S. Cl.**
USPC **D8/367**
- (58) **Field of Classification Search**
USPC D08/373, 367, 371
CPC A47G 1/20; F16B 35/06; F16B 45/00
See application file for complete search history.

D742,728 S	11/2015	Ostler	
D743,955 S	11/2015	Wu	
D790,456 S	6/2017	Aiello et al.	
D811,201 S *	2/2018	Berger	D8/367
D811,862 S *	3/2018	Berger	D8/367
D812,454 S *	3/2018	Berger	D8/367
D872,567 S *	1/2020	Bond	D8/373
2015/0129732 A1	5/2015	Propersi	
2017/0360172 A1	12/2017	Moore	

OTHER PUBLICATIONS

Amazon.com [online], "Pfister BRHMD1C Modern Robe Hook, Polished Chrome," May 18, 2017, retrieved Oct. 15, 2019, retrieved from URL <<https://www.amazon.ca/Pfister-BRHMD1C-Modern-Polished-Chrome/dp/B07235JYX4>>, 2 pages.

(Continued)

Primary Examiner — Eliza Z Bennett-Hattan

(74) *Attorney, Agent, or Firm* — Fish & Richardson P.C.

(57) **CLAIM**

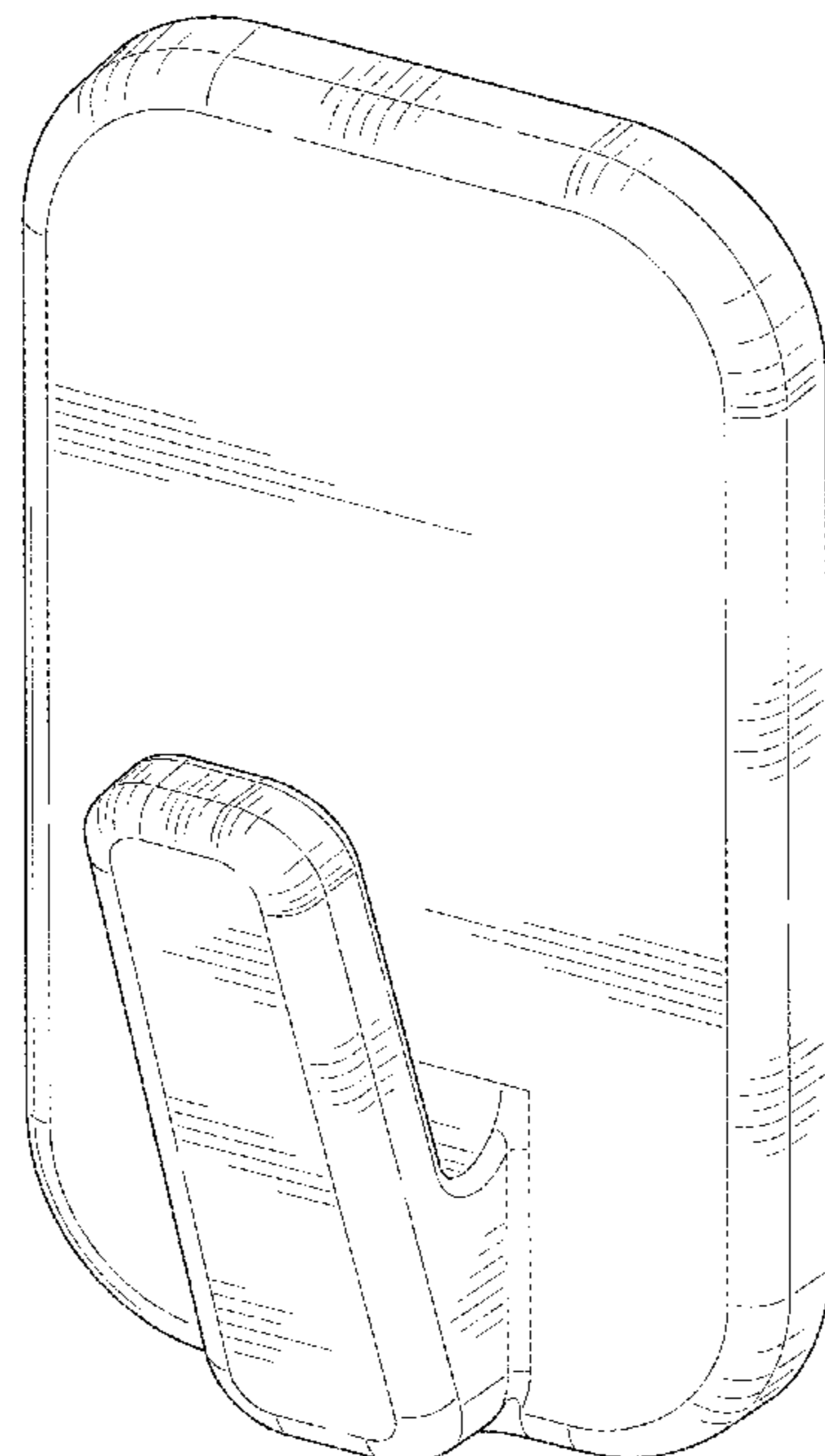
The ornamental design for a wall hanger hook, as shown and described.

DESCRIPTION

FIG. 1 is a front perspective view of the wall hanger hook. FIG. 2 is a front view of the wall hanger hook. FIG. 3 is a back view of the wall hanger hook. FIG. 4 is a right side view of the wall hanger hook. FIG. 5 is a left side view of the wall hanger hook. FIG. 6 is a top view of the wall hanger hook. FIG. 7 is a bottom view of the wall hanger hook; and, FIG. 8 is a back perspective view of the wall hanger hook. The broken (dot-dash) lines illustrate perimeters of unclaimed surface areas and form no part of the claimed design.

1 Claim, 6 Drawing Sheets

- (56) **References Cited**
U.S. PATENT DOCUMENTS
- D251,124 S * 2/1979 Takeuchi D19/65
- D367,220 S 2/1996 Bush
- D382,464 S 8/1997 McCoy et al.
- D482,600 S * 11/2003 Dretzka D8/367
- D596,930 S * 7/2009 Gaudron D8/367
- D621,243 S 8/2010 Hill
- D663,609 S 7/2012 Ogden, Jr.
- D699,097 S 2/2014 Chung et al.
- D704,542 S 5/2014 Sudell
- D714,621 S * 10/2014 Pan D8/367



(56)

References Cited

OTHER PUBLICATIONS

RoomAndBoard.com [online] "Crew Single Wall Hooks in Colors," posted as early as 2016, retrieved on Oct. 15, 2019, retrieved from URL <<https://www.roomandboard.com/catalog/entryway/coat-racks-and-wall-hooks/crew-single-wall-hooks-in-colors>>, 3 pages.

* cited by examiner

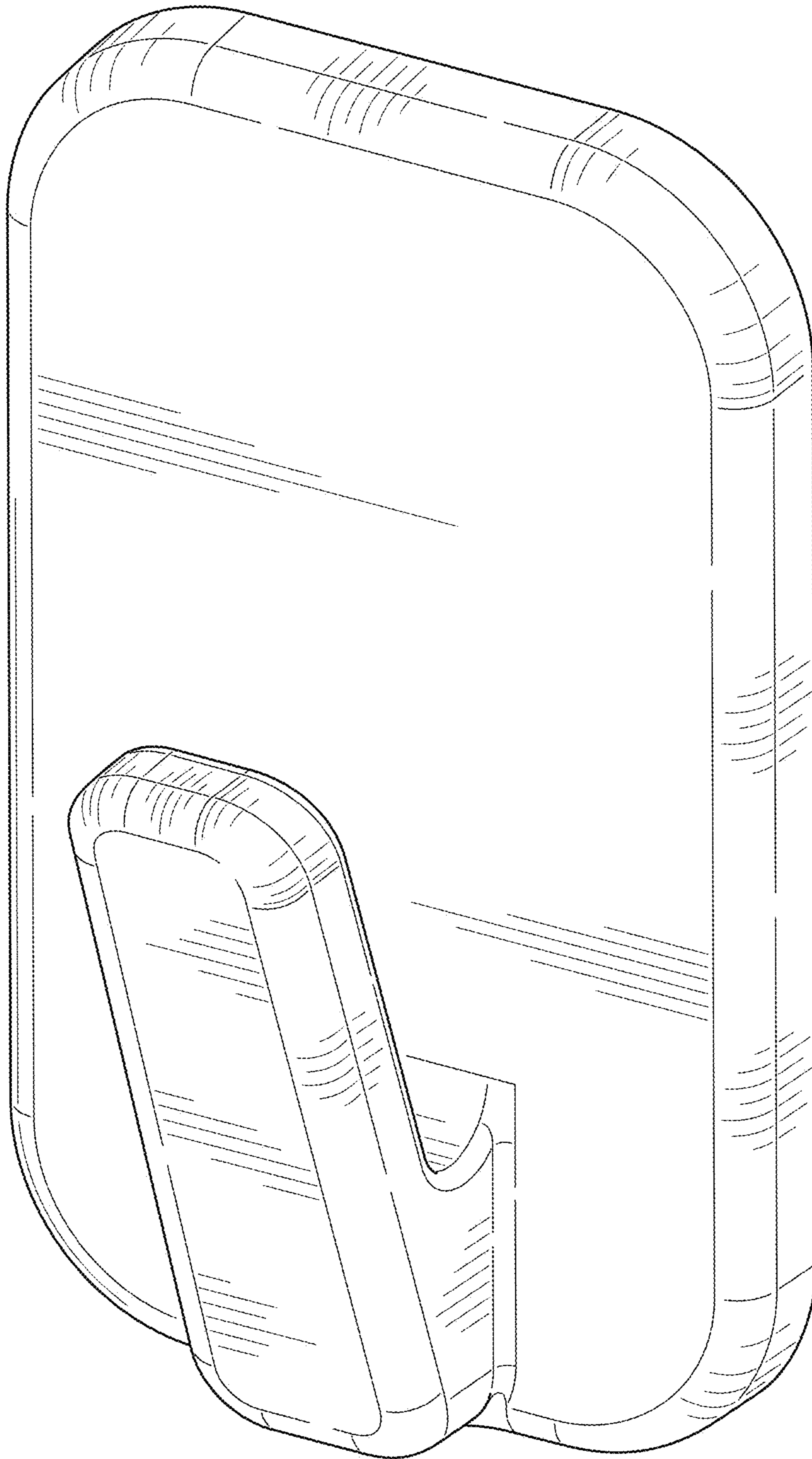


FIG. 1

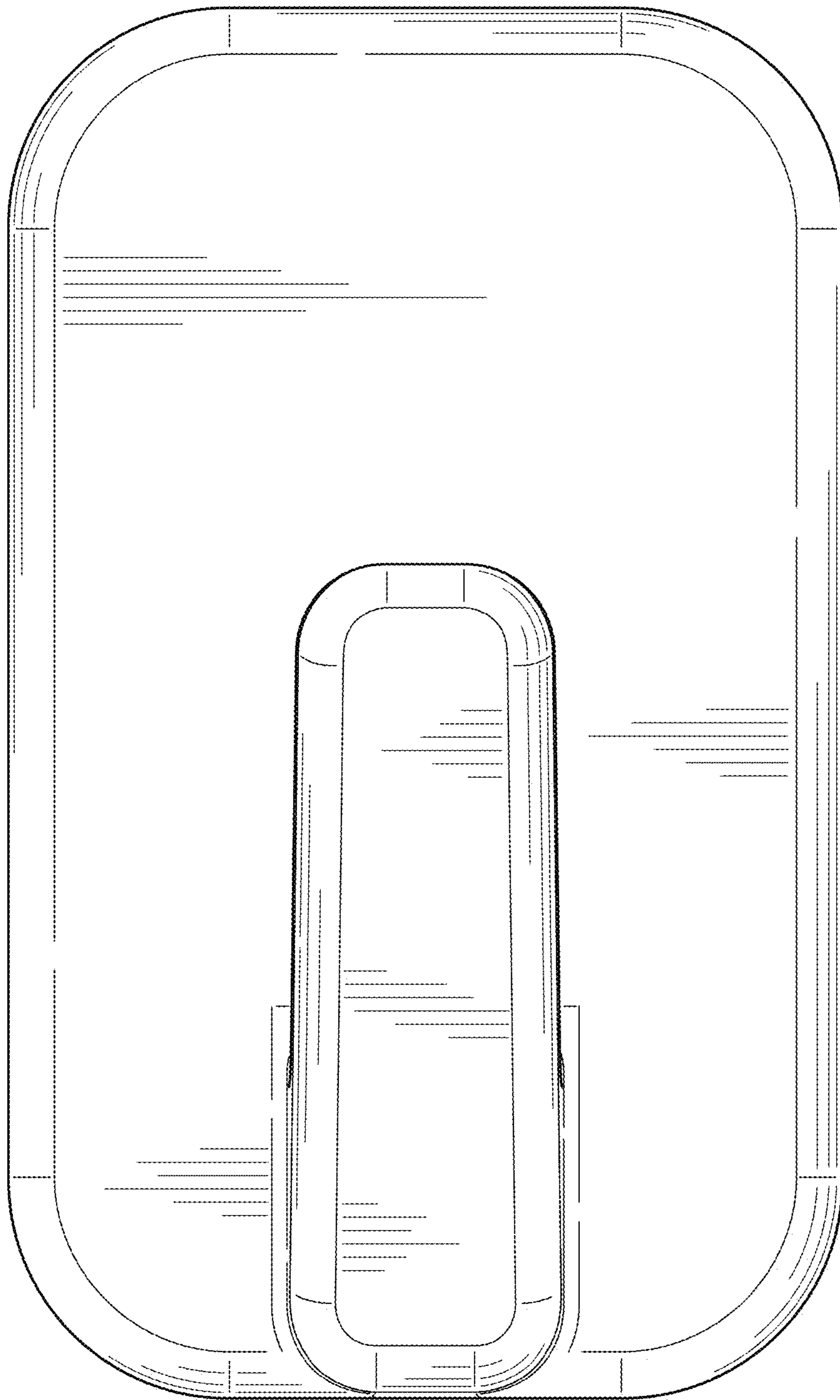


FIG. 2

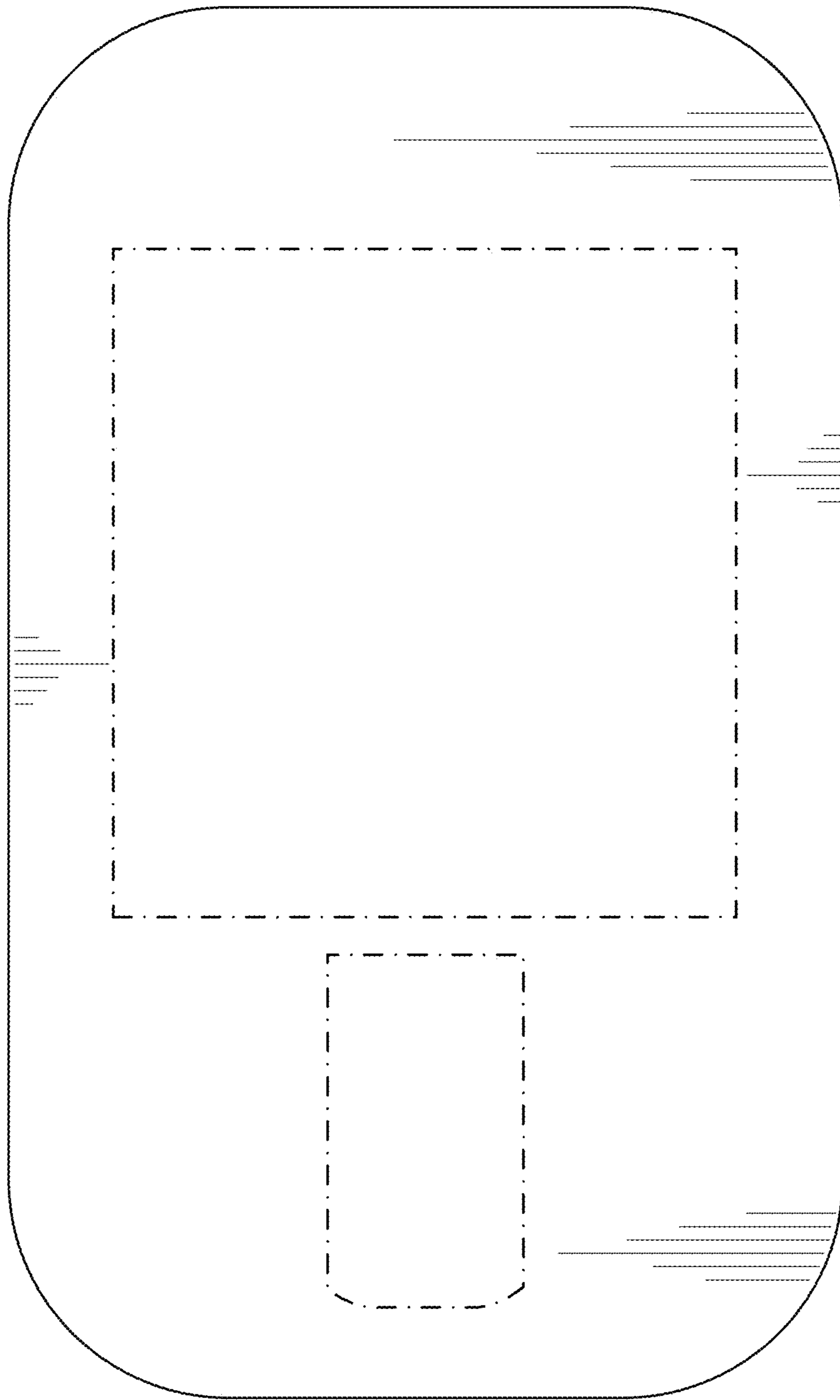


FIG. 3

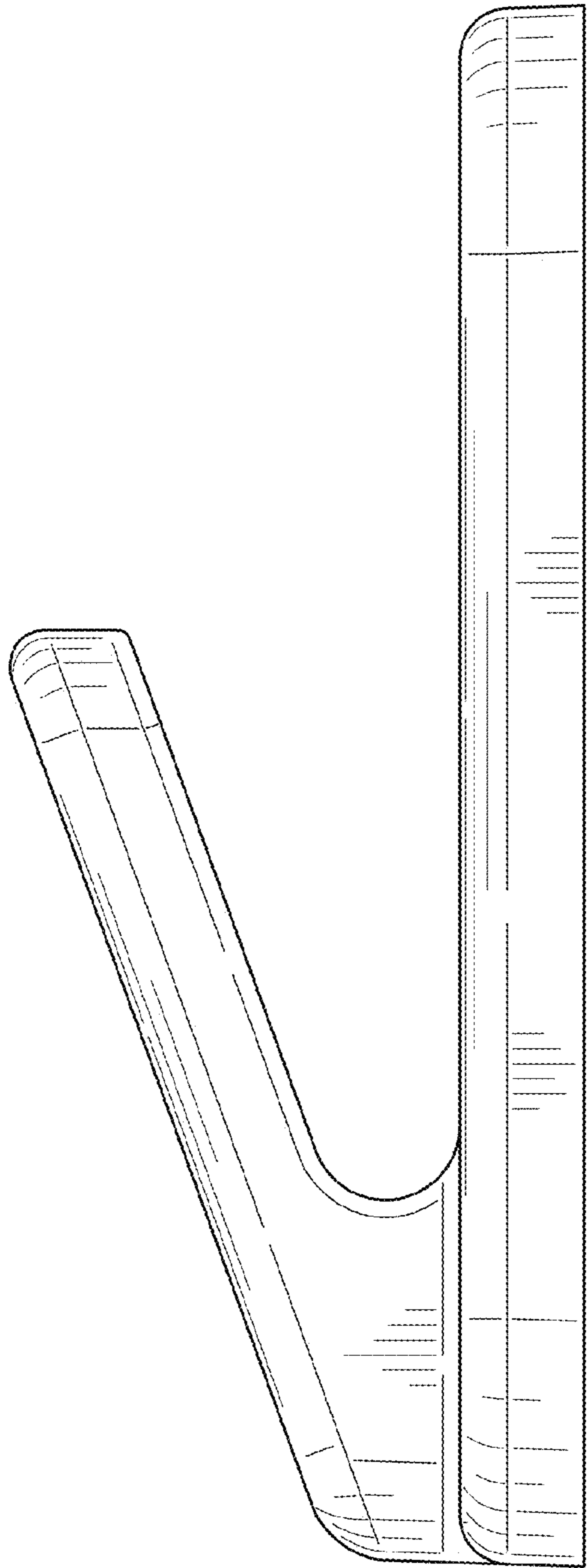


FIG. 4

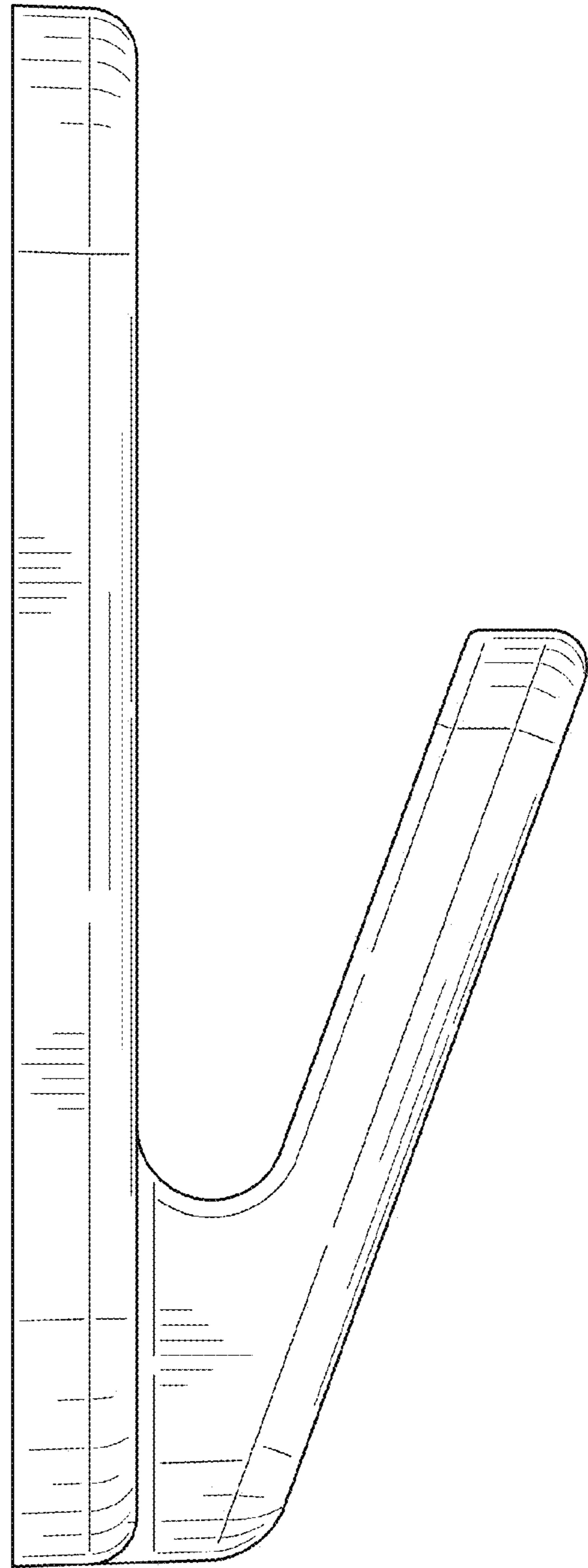


FIG. 5

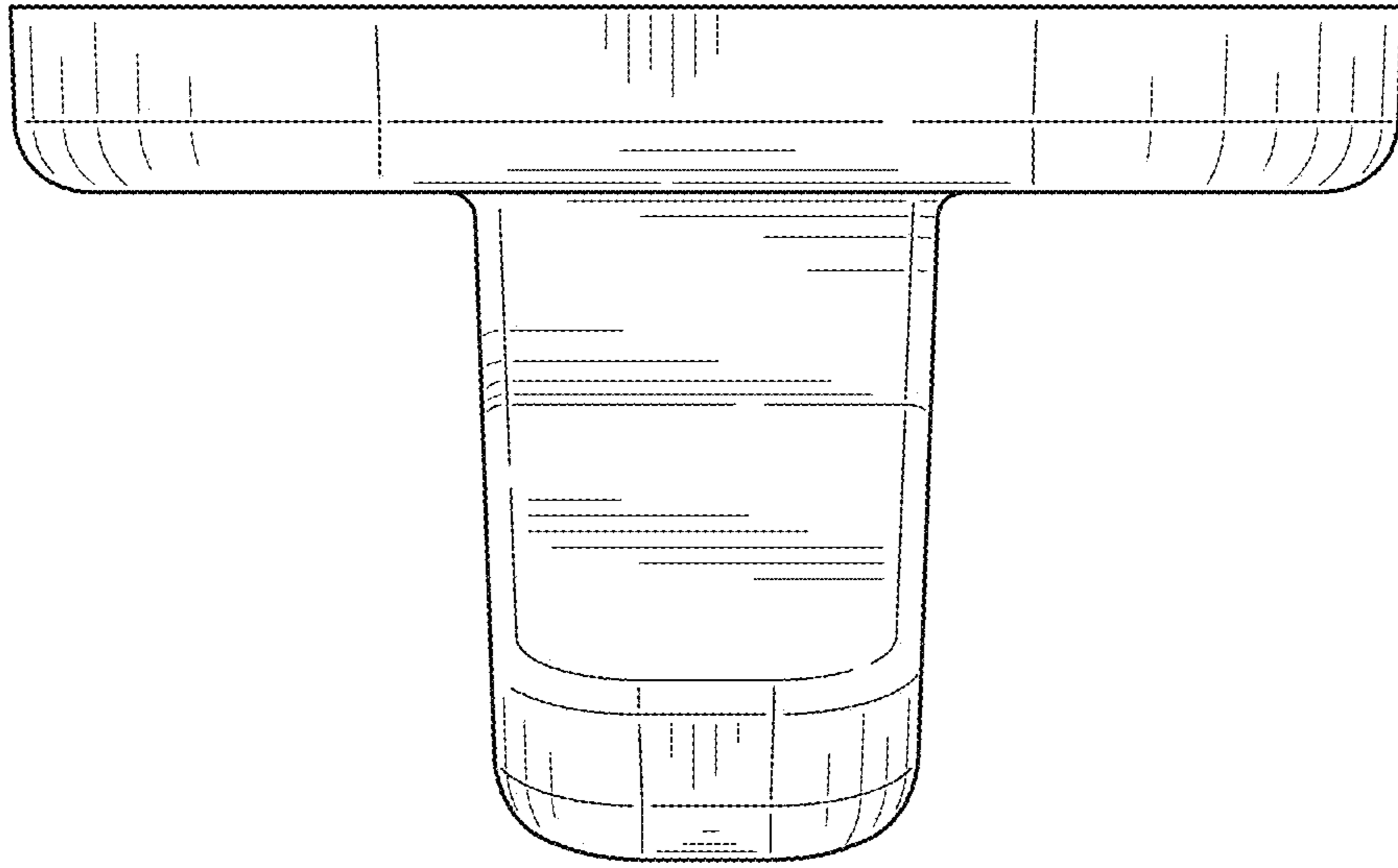


FIG. 6

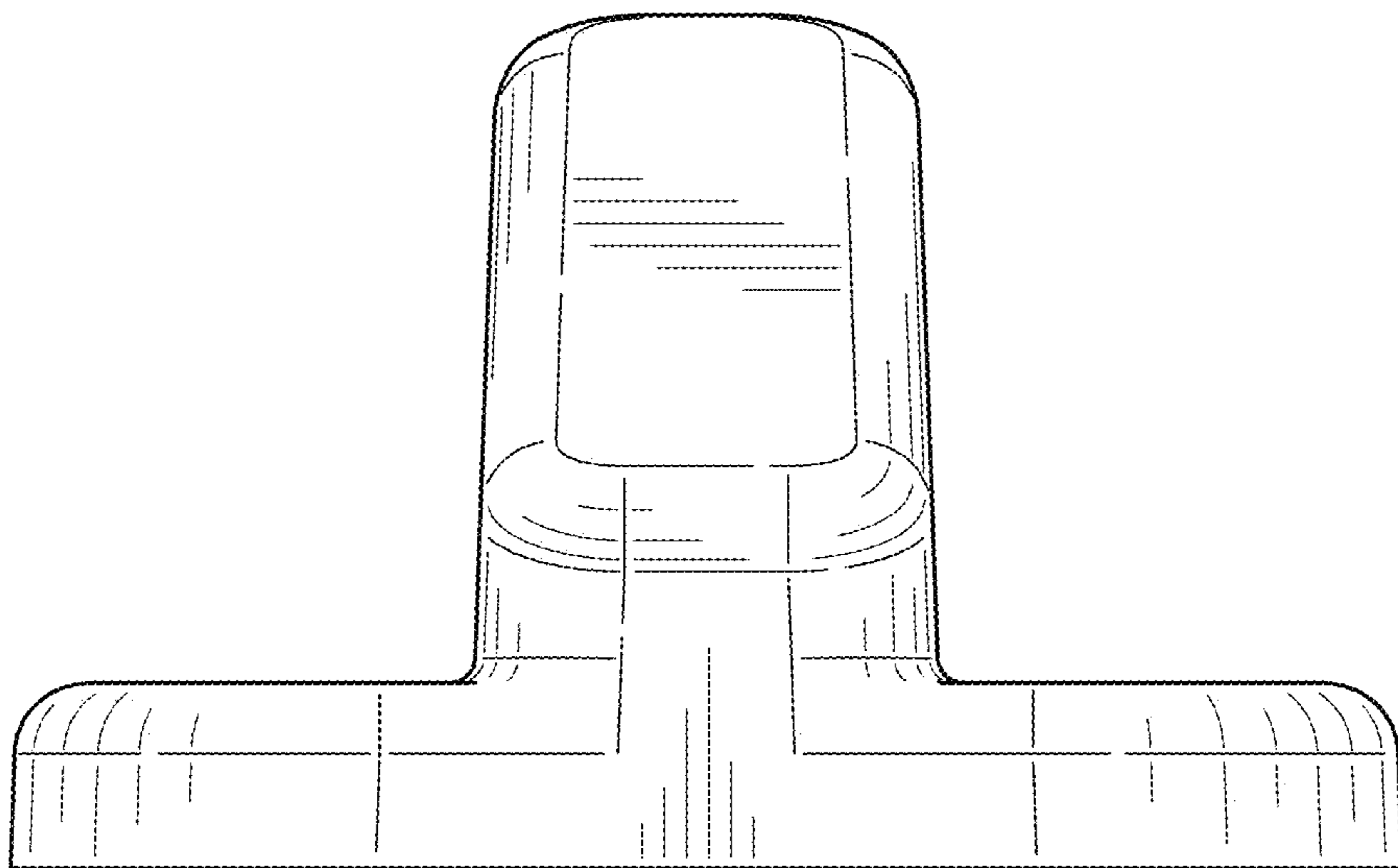


FIG. 7

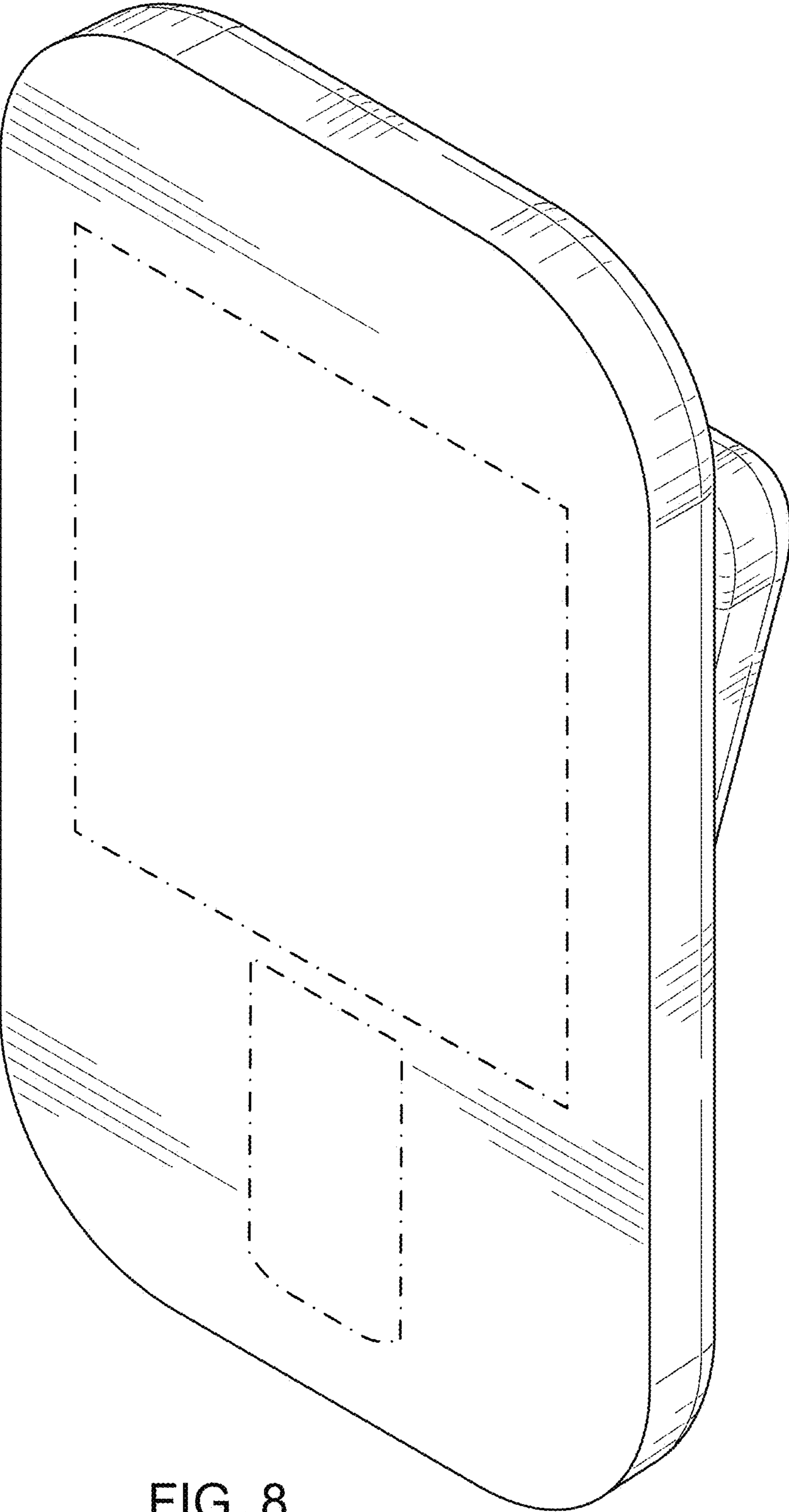


FIG. 8