



US00D887253S

(12) **United States Design Patent**
Jaramillo

(10) **Patent No.:** **US D887,253 S**
(45) **Date of Patent:** **** Jun. 16, 2020**

(54) **ANGLED SUPPORT BRACKET**

(71) Applicant: **Concept Clean Energy, LLC**, Laguna Beach, CA (US)

(72) Inventor: **Elliot L. Jaramillo**, Berkeley, CA (US)

(73) Assignee: **Concept Clean Energy, LLC**, Laguna Beach, CA (US)

(**) Term: **15 Years**

(21) Appl. No.: **29/667,541**

(22) Filed: **Oct. 23, 2018**

(51) **LOC (12) Cl.** **25-02**

(52) **U.S. Cl.**
USPC **D8/354**

(58) **Field of Classification Search**
USPC D25/38.1, 38.8, 47.1, 48.1-48.4, 55, 56, D25/58, 59, 61, 119-132, 138, 139, 142, D25/143, 152, 153, 159, 164; 52/204.1, 52/204.5, 208, 209, 204.53, 211, 212, 52/213, 217, 254, 255, 287.1, 293.3, 52/302.6, 443, 444, 716.1, 716.2, 716.6, 52/716.7, 716.8, 717.01, 717.03; D26/118, 138, 141, 142; D6/325, 572; D8/354, 377, 381; D23/267, 386
CPC . A47B 96/068; A47B 96/07; E04B 2001/405; E04C 2003/0413; E04C 2003/0465; E04C 2003/043; E04C 3/00; E04C 3/04; E04C 3/005; E04C 3/02; E04C 3/0473; E04C 3/07; E04C 3/30; E04C 3/32; E04H

2004/146; E04H 2004/147; E04H 4/12; E04H 4/0075; E04H 4/1227; E04H 4/14; E04H 4/141; E04H 4/142; F16B 1/00

See application file for complete search history.

(56) **References Cited**

U.S. PATENT DOCUMENTS

D724,256 S * 3/2015 Klus D26/141
D731,275 S * 6/2015 Hochman D8/354
D824,584 S * 7/2018 Klus D26/138

* cited by examiner

Primary Examiner — Randall H Gholson

(74) *Attorney, Agent, or Firm* — FisherBroyles, LLP

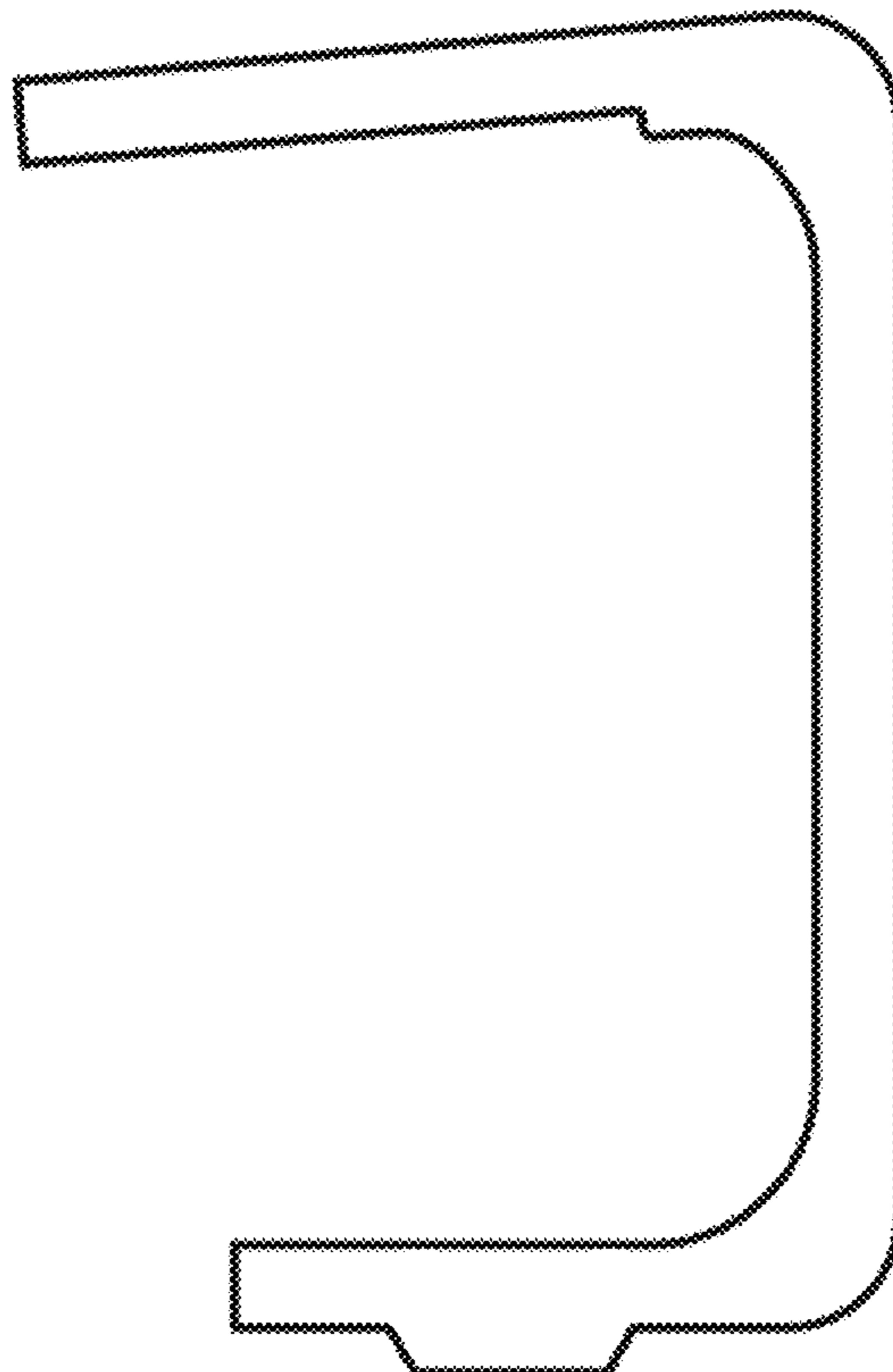
(57) **CLAIM**

The ornamental design for an angled support bracket, as shown and described.

DESCRIPTION

FIG. 1 is a side view of a support leg showing the new design.
FIG. 2 is an upper front perspective view thereof.
FIG. 3 is a lower front perspective view thereof.
FIG. 4 is a rear plan view thereof.
FIG. 5 is a front plan view thereof.
FIG. 6 is a bottom plan view thereof; and,
FIG. 7 is a top plan view thereof.

1 Claim, 5 Drawing Sheets



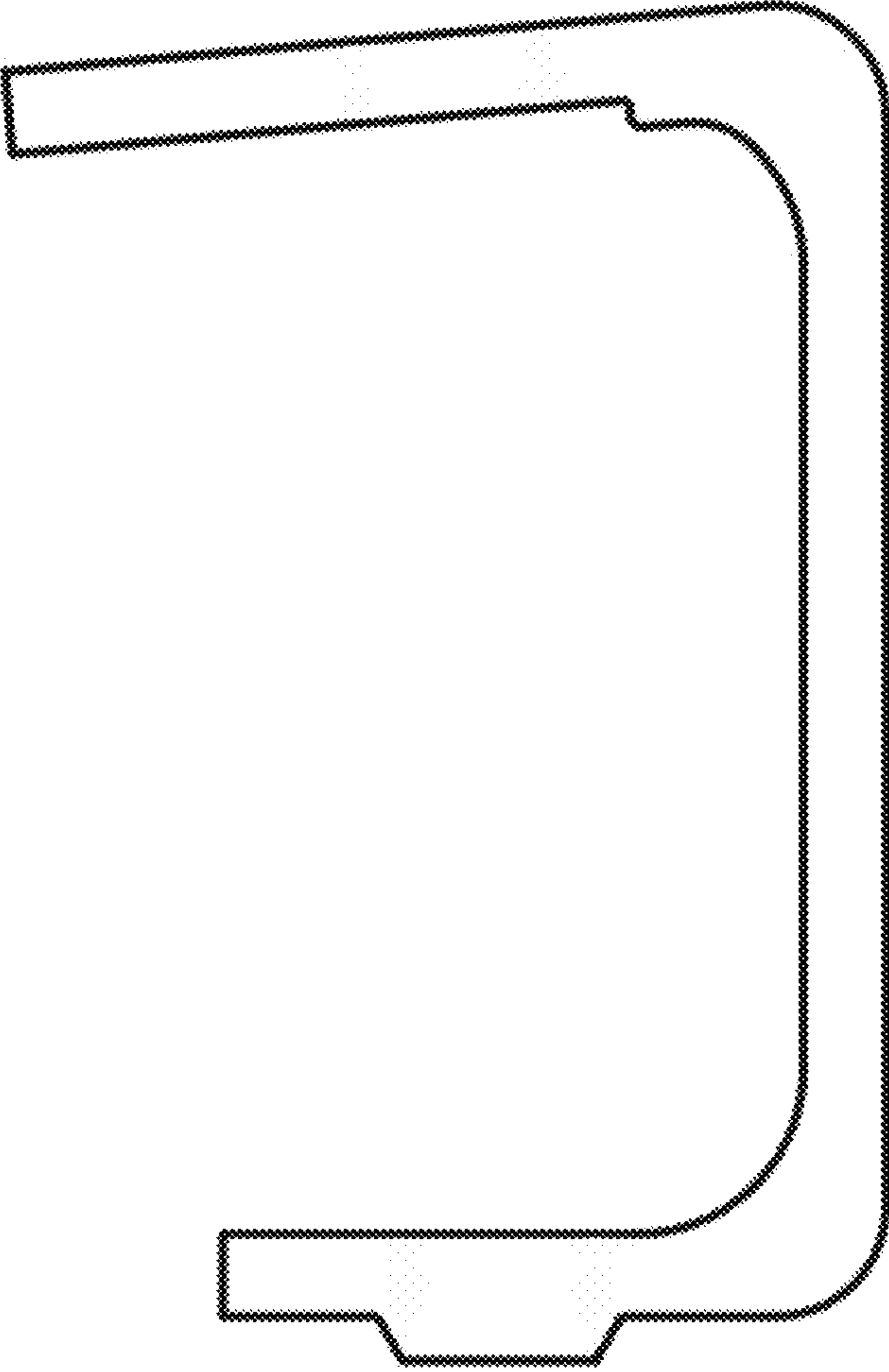


Fig. 1

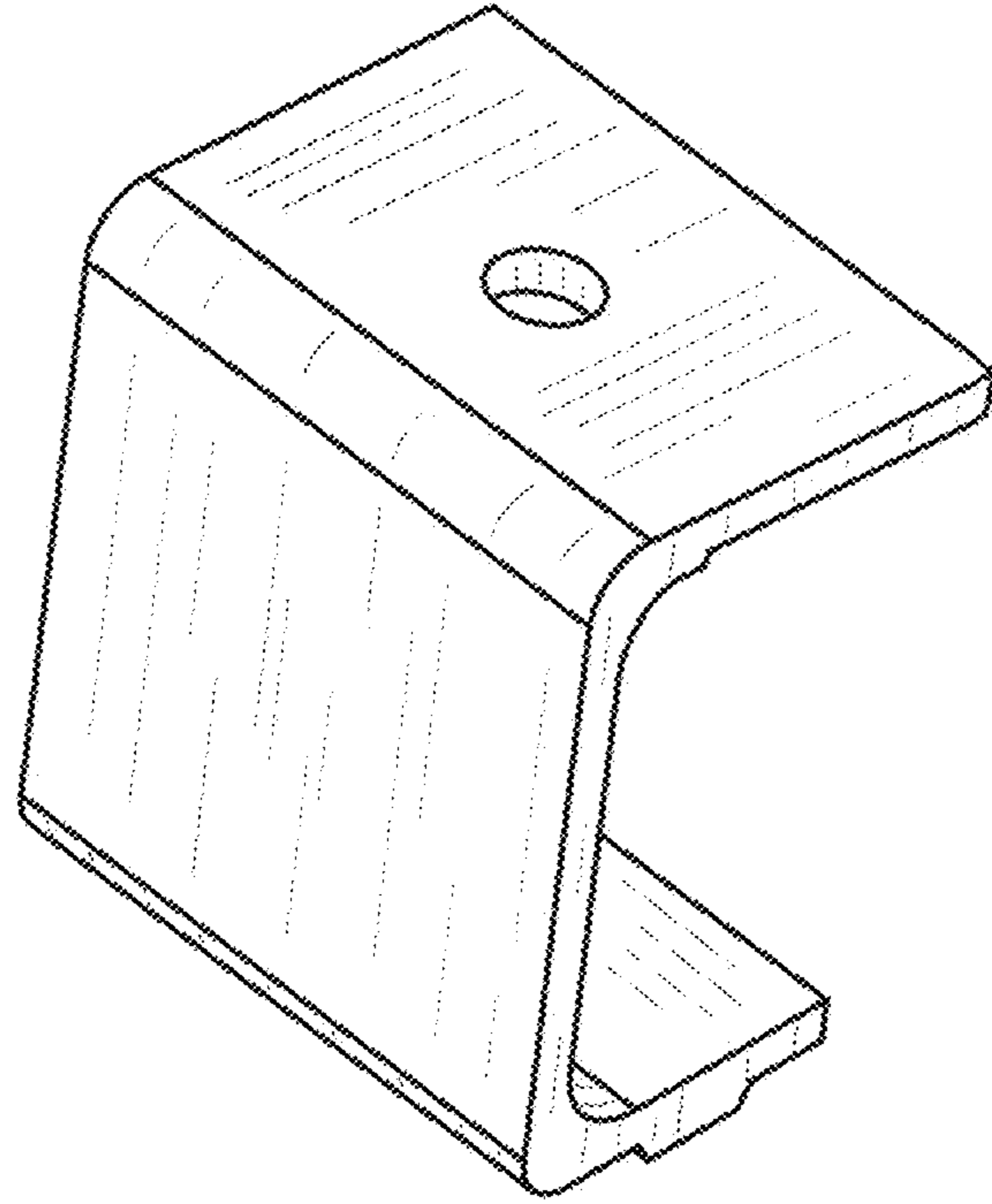


Fig. 2

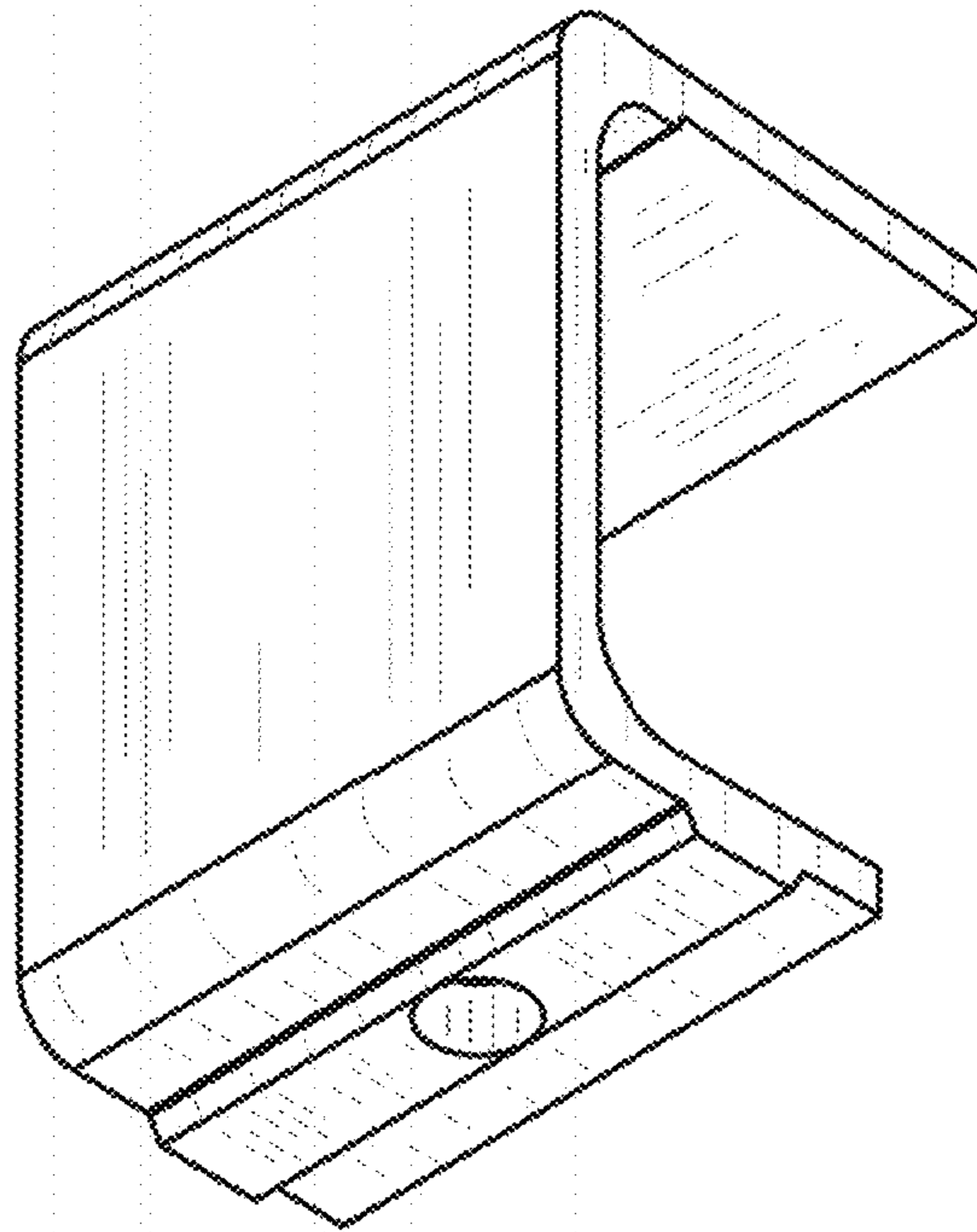


Fig. 3

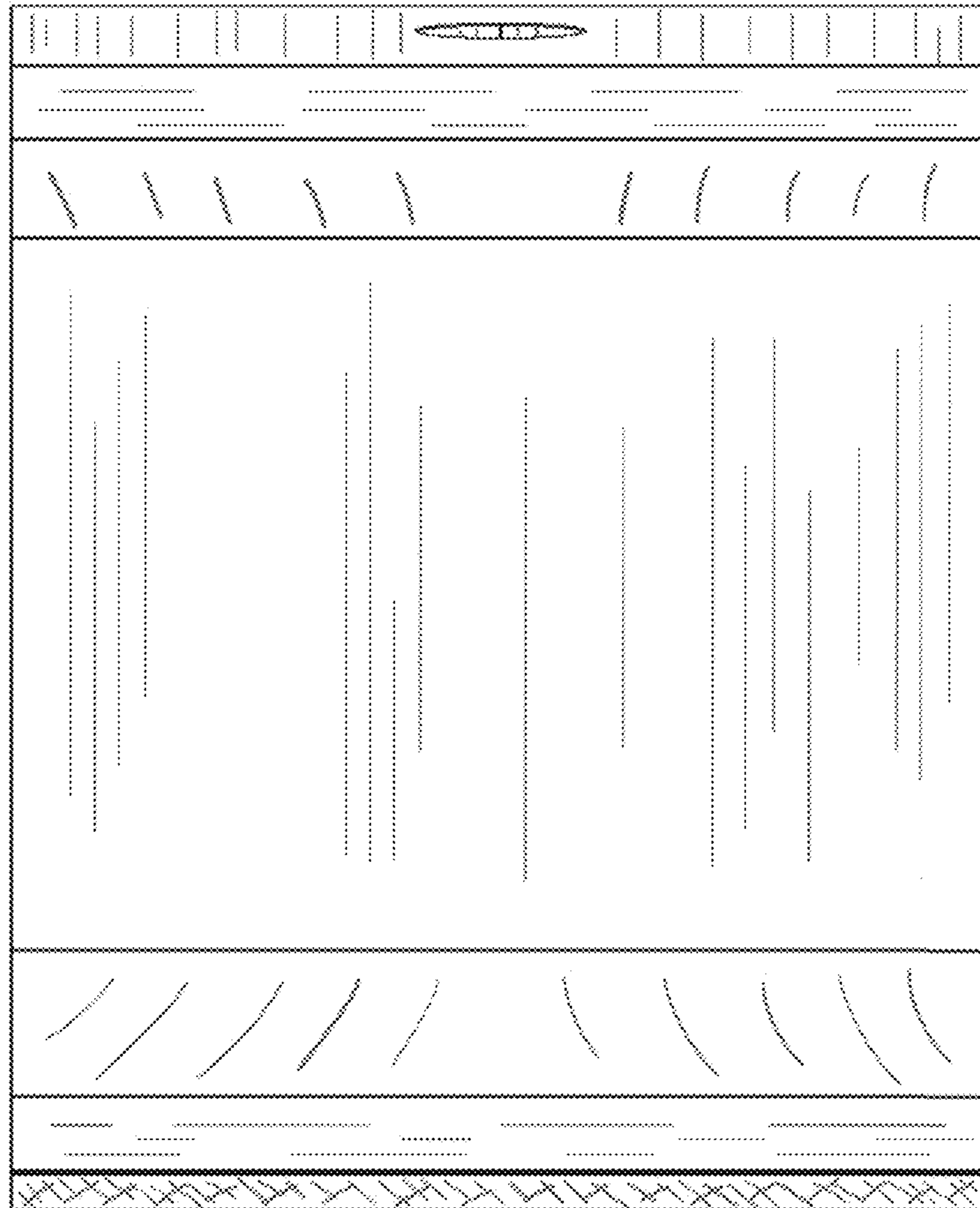


Fig. 4

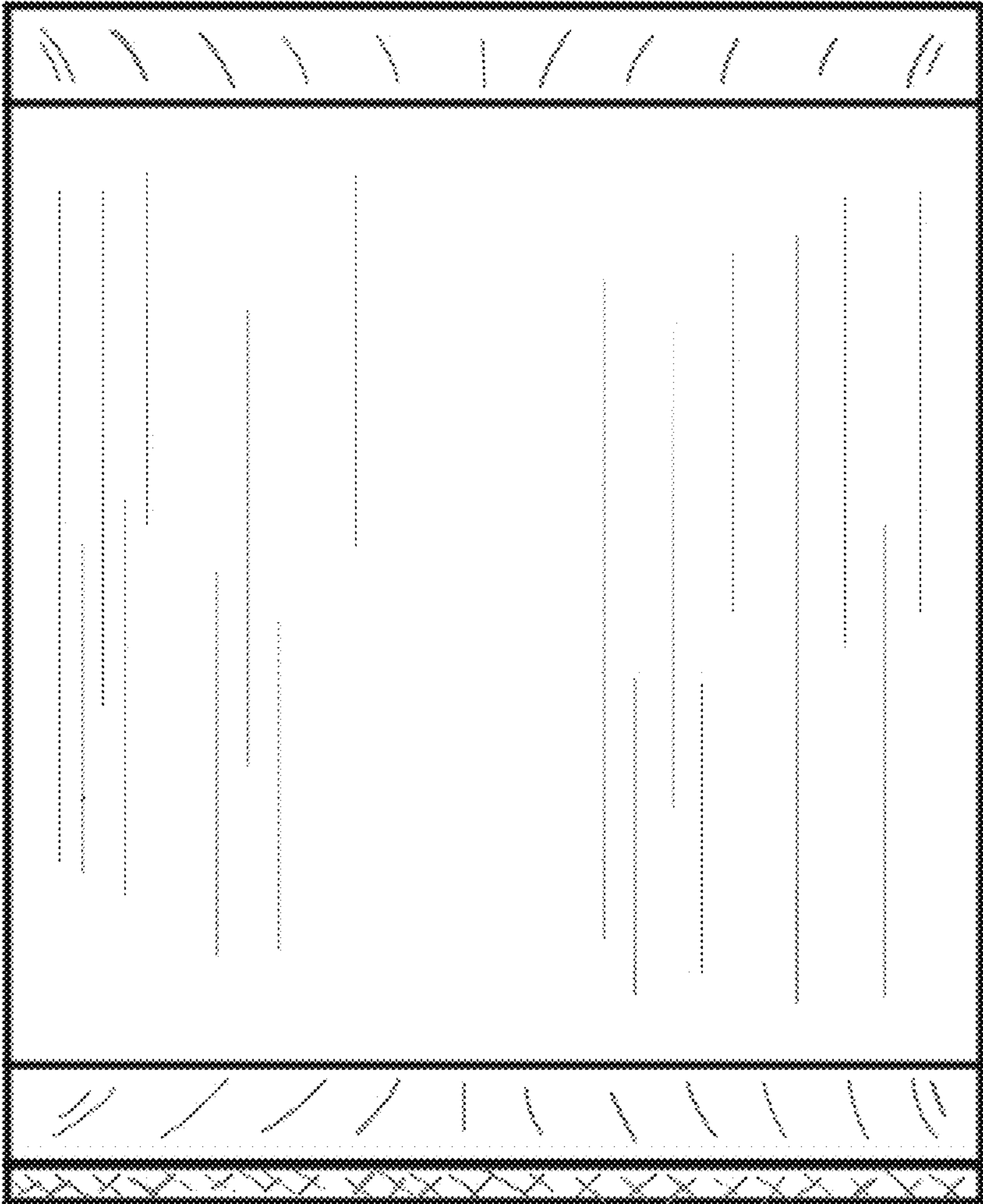


Fig. 5

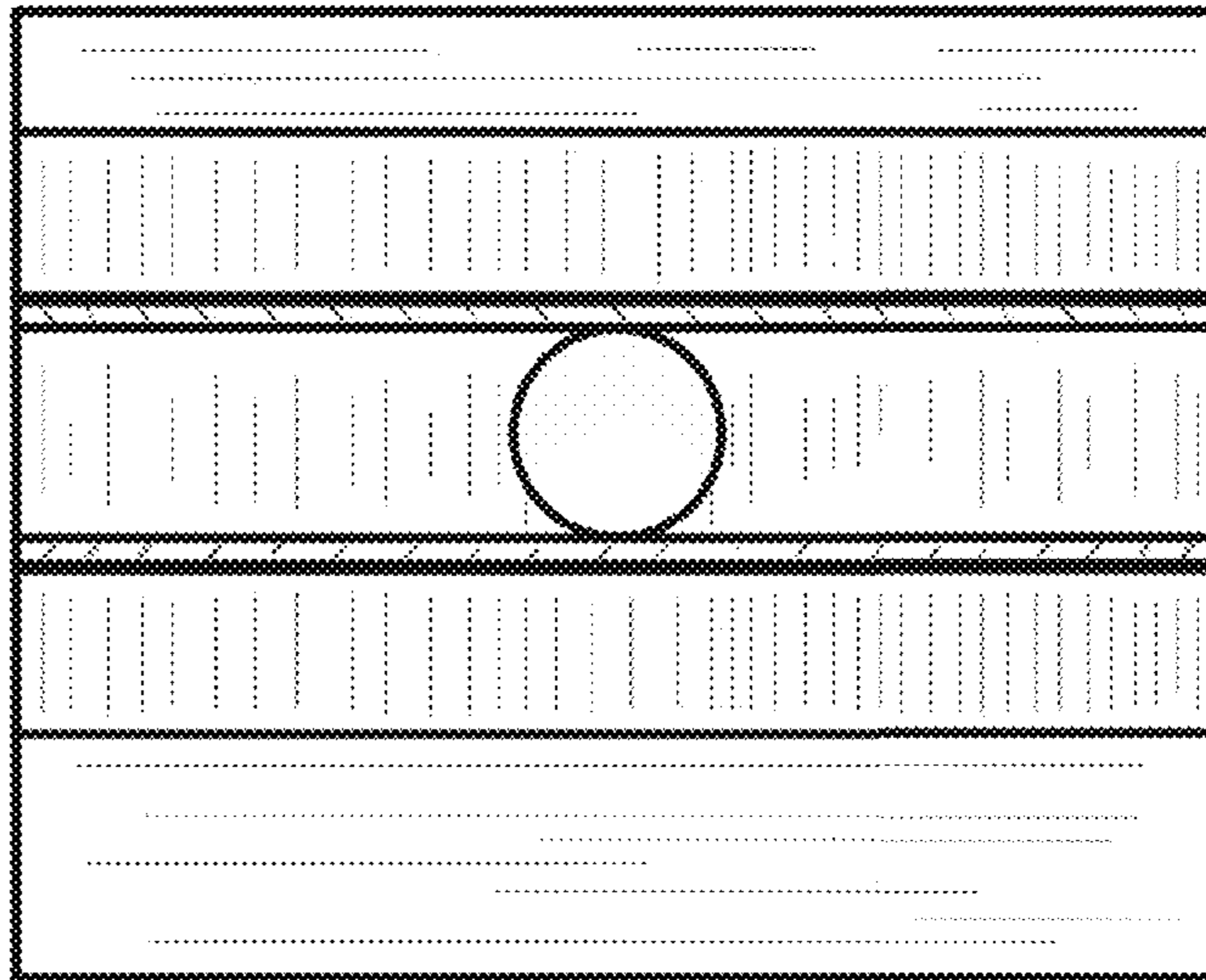


Fig. 6

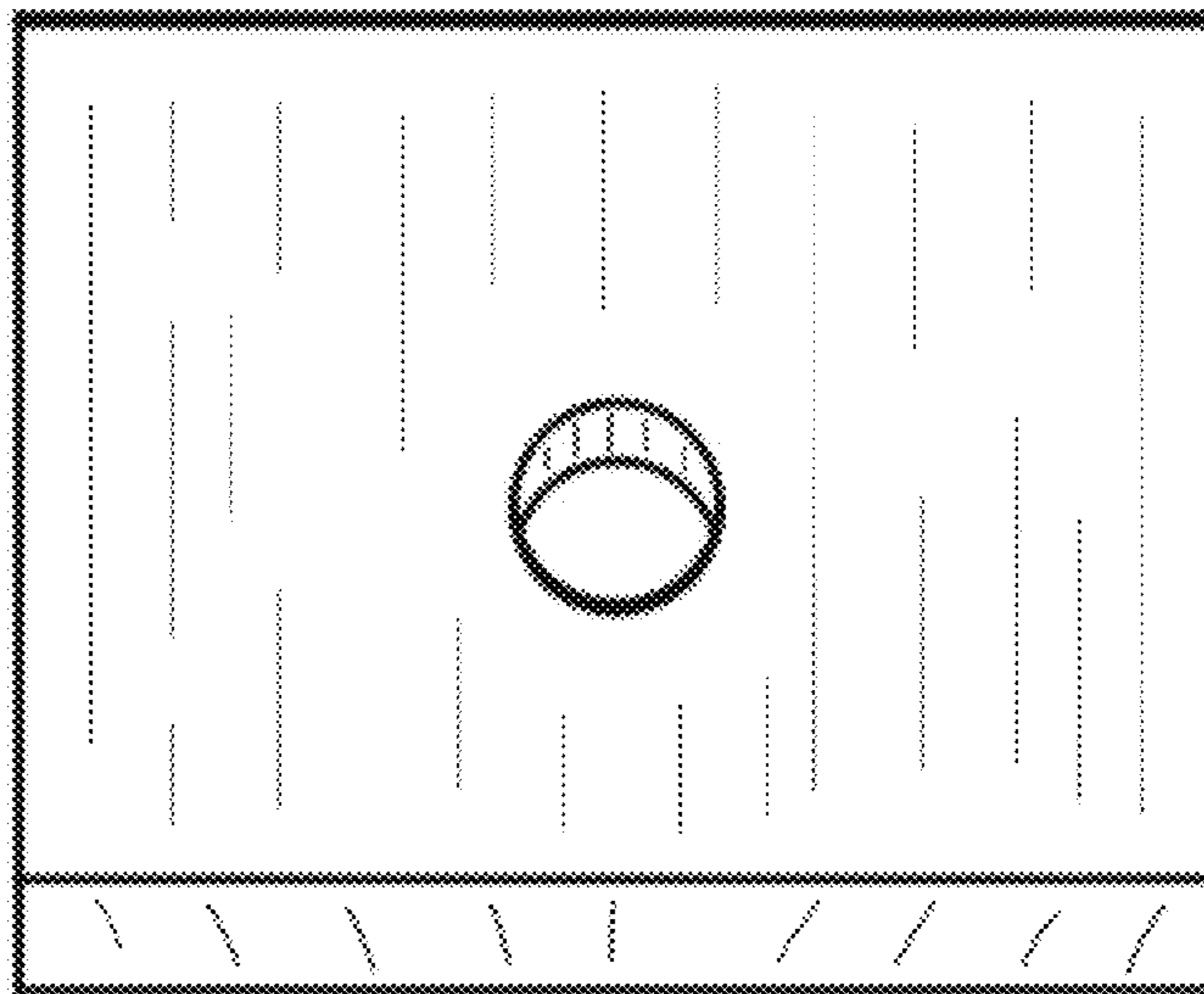


Fig. 7