



US00D887252S

(12) **United States Design Patent**
Zhang et al.

(10) **Patent No.:** **US D887,252 S**
(45) **Date of Patent:** **** Jun. 16, 2020**

(54) **HOLE PATTERN FOR A BOX MOUNTING ADAPTER**

(71) Applicants: **Kai Zhang**, Los Angeles, CA (US);
Saeed Nikayin, Los Angeles, CA (US);
Gilbert Loera, Los Angeles, CA (US)

(72) Inventors: **Kai Zhang**, Los Angeles, CA (US);
Saeed Nikayin, Los Angeles, CA (US);
Gilbert Loera, Los Angeles, CA (US)

(**) Term: **15 Years**

(21) Appl. No.: **29/662,476**

(22) Filed: **Sep. 5, 2018**

(51) **LOC (12) Cl.** **08-05**

(52) **U.S. Cl.**
USPC **D8/354**

(58) **Field of Classification Search**
USPC D8/354, 355, 353
CPC H02G 3/125; H02G 3/126; H02G 3/128
See application file for complete search history.

(56) **References Cited**

U.S. PATENT DOCUMENTS

4,732,356	A *	3/1988	Medlin, Sr.	H02G 3/125 174/58
5,263,676	A *	11/1993	Medlin, Jr.	H02G 3/126 220/3.6
5,813,641	A *	9/1998	Baldwin	A47B 57/565 248/223.41
D438,091	S *	2/2001	Davis	D8/349
6,188,022	B1 *	2/2001	He	H02G 3/18 174/58
6,323,424	B1 *	11/2001	He	H02G 3/18 174/58
D479,930	S	9/2003	Cook et al.		
7,439,443	B2 *	10/2008	Dinh	H02G 3/126 174/58
D612,226	S *	3/2010	Dinh	D8/356

7,902,457	B2 *	3/2011	Johnson	H02G 3/126 174/61
8,403,289	B1 *	3/2013	Rinderer	H02G 3/126 174/480
D698,737	S *	2/2014	Hagarty	D13/156
D702,826	S	4/2014	Schluter et al.		
D770,573	S	11/2016	Petty		
9,559,504	B2 *	1/2017	Jones	H02G 3/126
9,564,744	B2 *	2/2017	Jaffari	H02G 3/128
9,653,899	B2 *	5/2017	Salian	H02G 3/121
9,825,446	B2 *	11/2017	Korcz	H02G 3/125
D821,849	S *	7/2018	Nikayin	D8/354
D841,432	S *	2/2019	Nikayin	D8/354
D841,434	S *	2/2019	Vrame	D8/354
10,263,403	B2 *	4/2019	Korcz	H02G 3/121
2003/0205654	A1 *	11/2003	Petak	H02G 3/12 248/300

(Continued)

Primary Examiner — Keli L Hill

Assistant Examiner — Harold E Blackwell, II

(74) *Attorney, Agent, or Firm* — Kirk A. Buhler; Buhler & Associates Patenting

(57) **CLAIM**

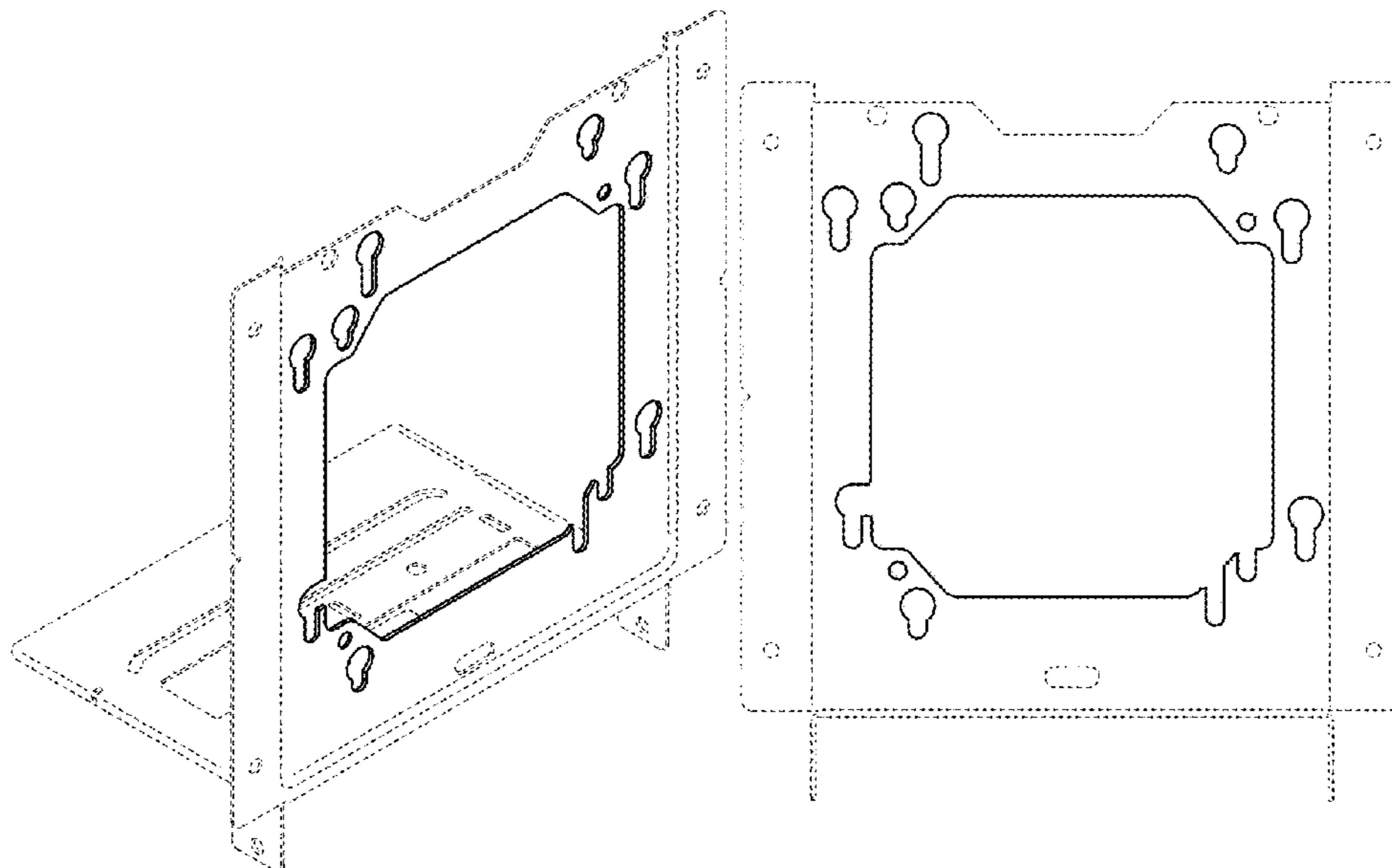
The ornamental design for a hole pattern for a box mounting adapter, as shown and described.

DESCRIPTION

FIG. 1 is a top perspective view of a hole pattern for a box mounting adapter, showing our new design; FIG. 2 is a front elevation view thereof; FIG. 3 is a right side elevation view thereof; FIG. 4 is a left side elevation view thereof; FIG. 5 is a rear elevation view thereof; FIG. 6 is a top plan view thereof; and, FIG. 7 is a bottom view thereof.

The broken lines in the drawings illustrate portions of a hole pattern for a box mounting adapter which form no part of the claimed design.

1 Claim, 5 Drawing Sheets



(56)

References Cited

U.S. PATENT DOCUMENTS

2010/0270446 A1* 10/2010 Phillips H05K 5/0204
248/201
2016/0087416 A1* 3/2016 Vrame H02G 3/125
174/50
2016/0099555 A1* 4/2016 Nikayin H02G 3/125
248/74.2

* cited by examiner

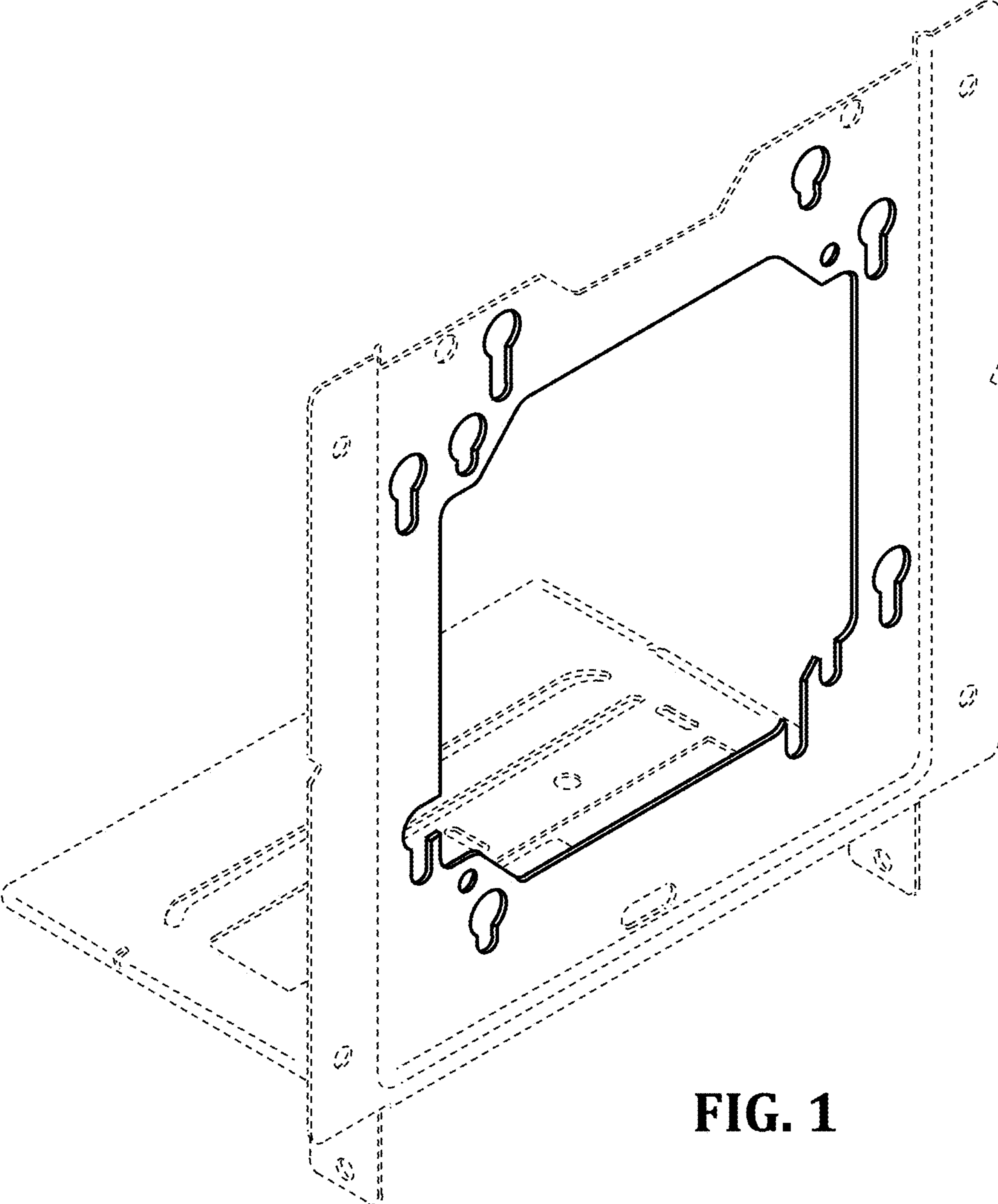


FIG. 1

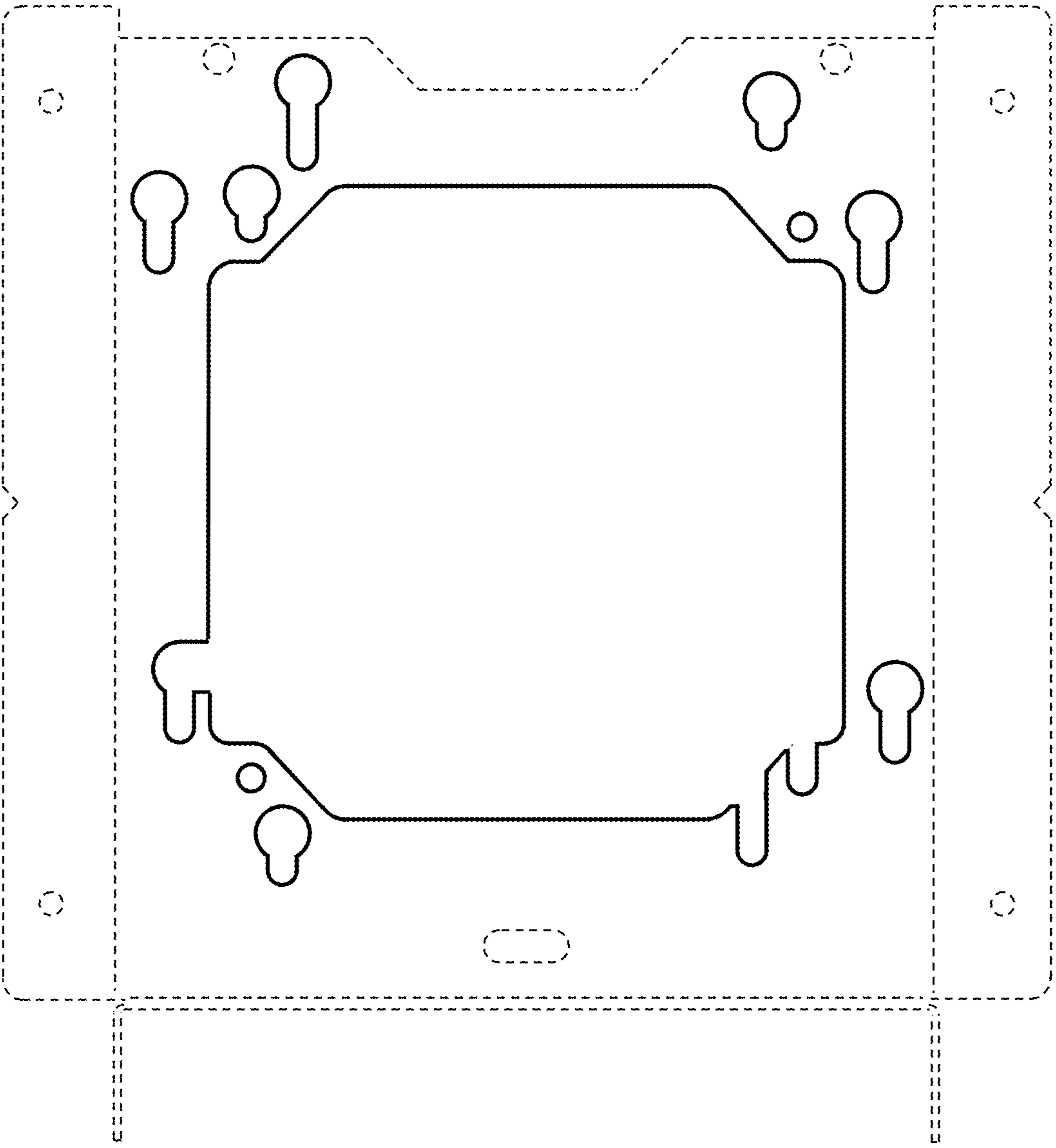


FIG. 2

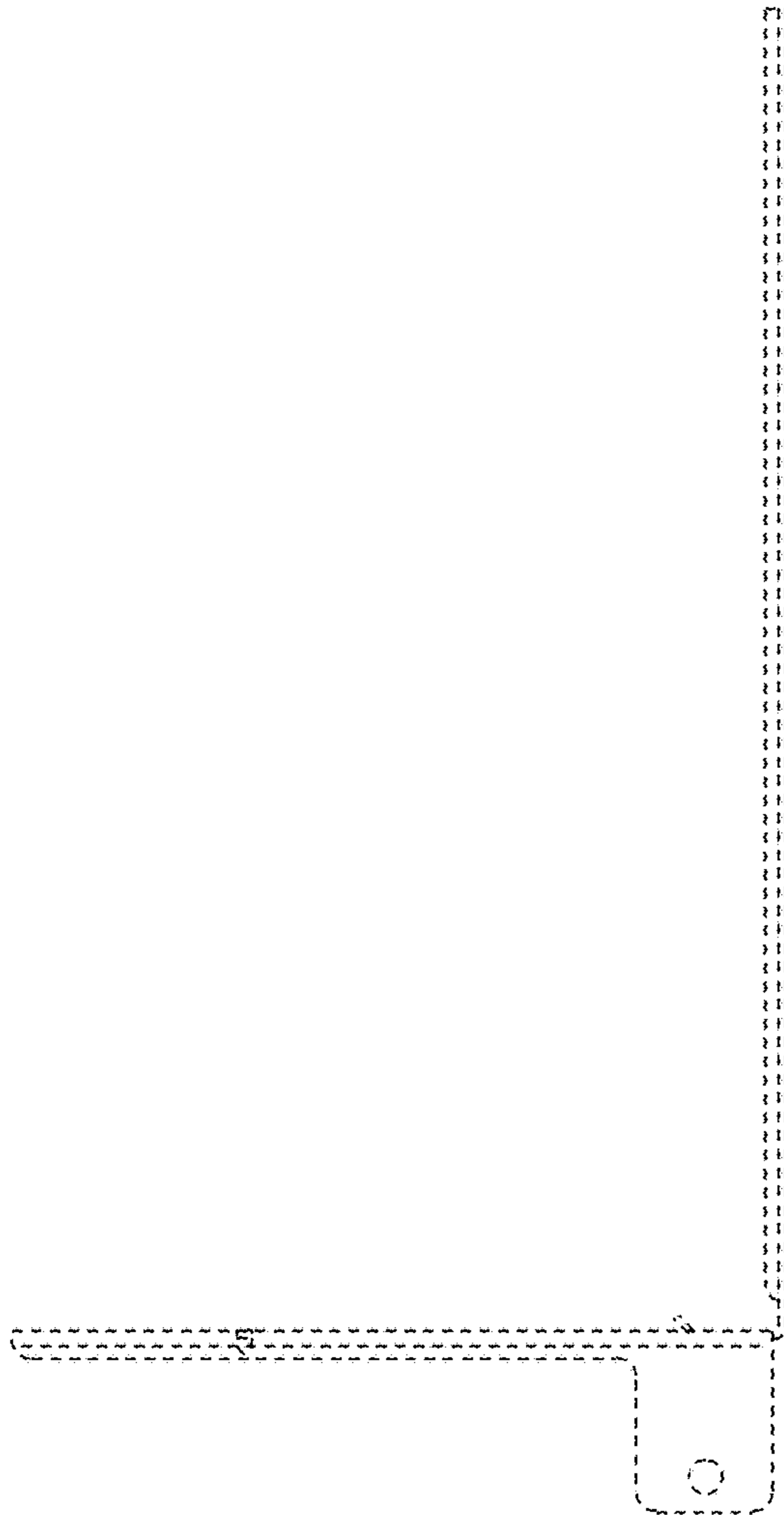


FIG. 3

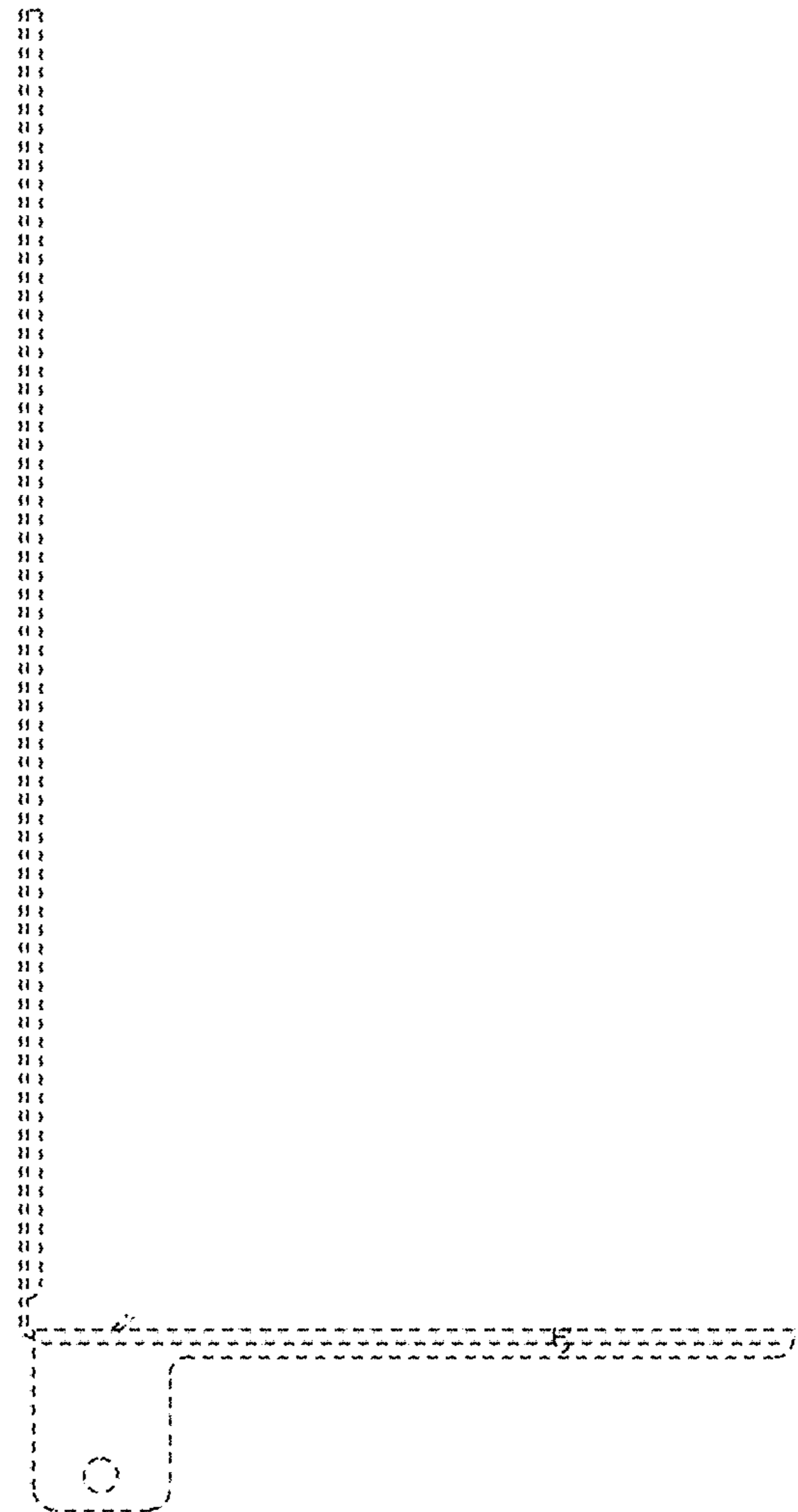


FIG. 4

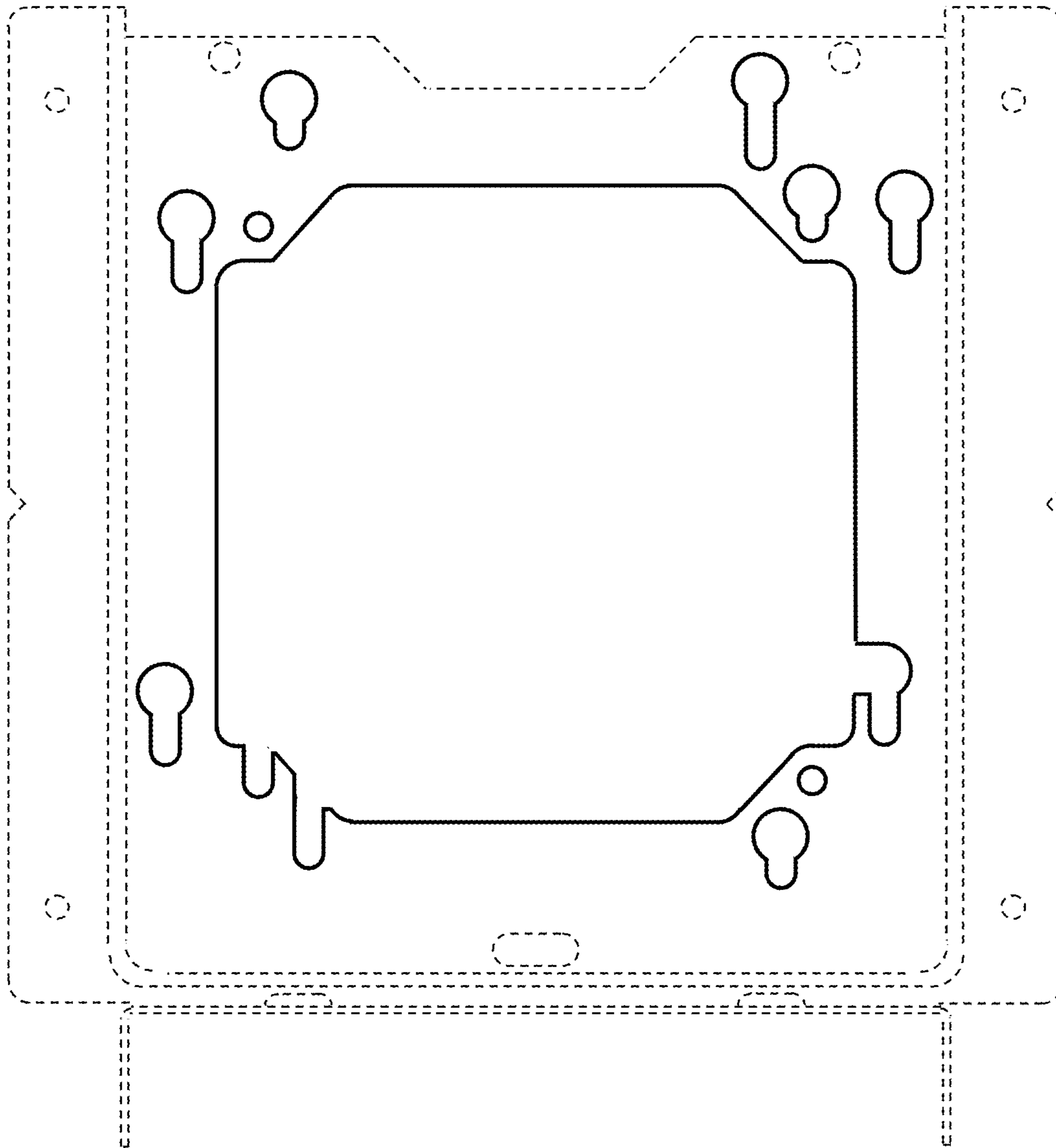


FIG. 5

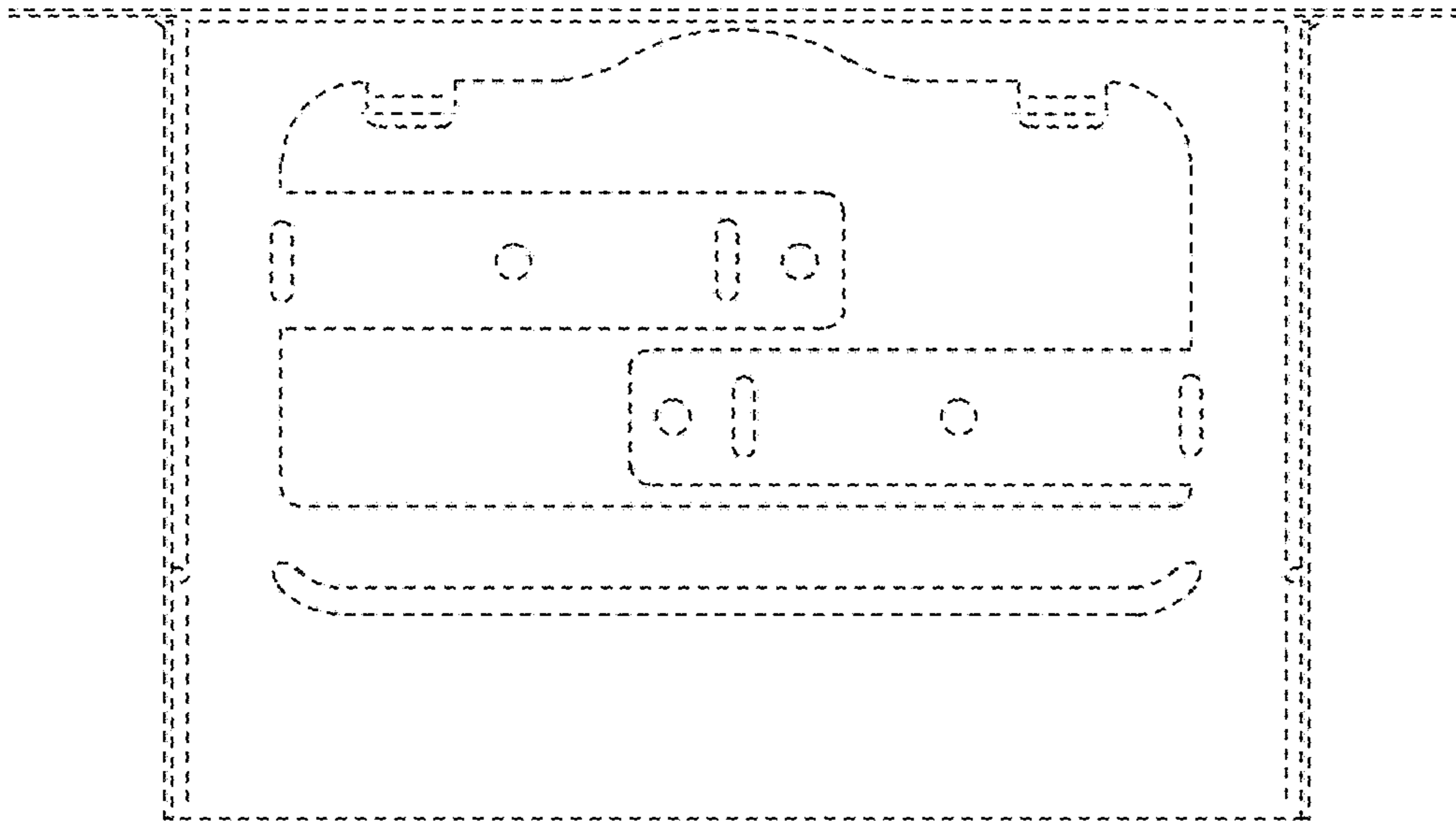


FIG. 6

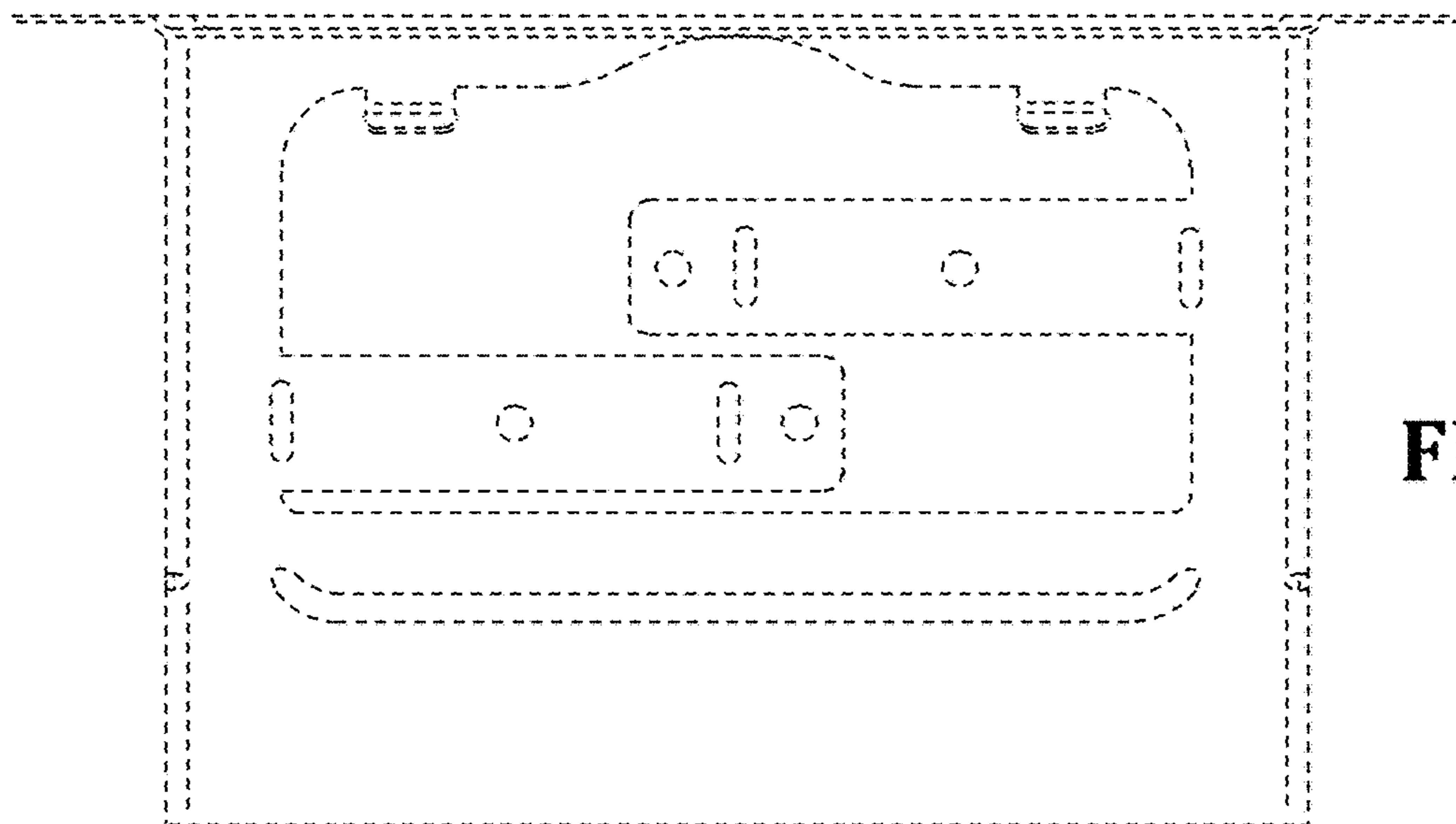


FIG. 7