



US00D887251S

(12) **United States Design Patent** (10) **Patent No.:** **US D887,251 S**  
**Fox** (45) **Date of Patent:** **\*\* Jun. 16, 2020**

(54) **RAFTER BRACKET** D672,885 S \* 12/2012 Yoder ..... D25/119  
D703,029 S 4/2014 Fox  
(71) Applicant: **FOX HARDWOOD LUMBER** 8,864,096 B1 \* 10/2014 Fox ..... E04H 12/2292  
**COMPANY, L.L.C., Franklin, TN (US)** 248/534

(Continued)

(72) Inventor: **Samuel Fox, Franklin, TN (US)**

**FOREIGN PATENT DOCUMENTS**

(73) Assignee: **Fox Hardwood Lumber Company**  
**L.L.C., Franklin, TN (US)**

KR 300919764.0000 \* 8/2017  
KR 300919766.0000 \* 8/2017

(Continued)

(\*\*) Term: **15 Years**

**OTHER PUBLICATIONS**

(21) Appl. No.: **29/661,306**

U.S. Appl. No. 29/639,284, filed Mar. 5, 2018.  
U.S. Appl. No. 29/661,303, filed Aug. 27, 2018.  
U.S. Appl. No. 16/113,022, filed Aug. 27, 2018.

(22) Filed: **Aug. 27, 2018**

(51) **LOC (12) Cl.** ..... **08-05**

(52) **U.S. Cl.**  
USPC ..... **D8/354**

*Primary Examiner* — Leanne Was-Englehart  
(74) *Attorney, Agent, or Firm* — Shane Cortesi

(58) **Field of Classification Search**  
USPC ..... D8/349, 353, 354, 366, 373; D25/61,  
D25/127, 133, 134, 136  
CPC ..... B60P 7/0892; E04B 1/2608; E04B 7/063;  
E04B 2001/2644  
See application file for complete search history.

(57) **CLAIM**

The ornamental design for a rafter bracket, as shown and described.

**DESCRIPTION**

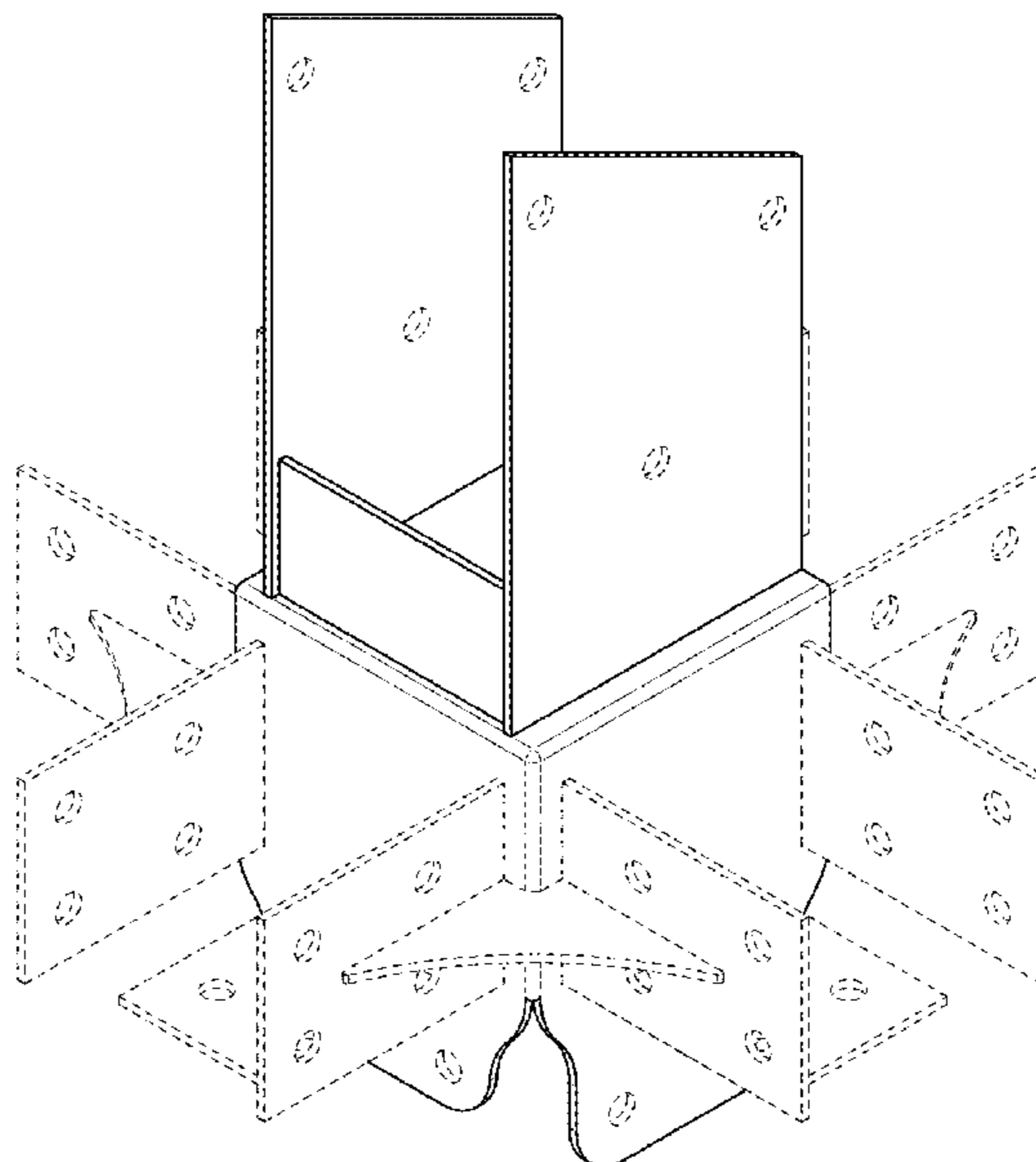
(56) **References Cited**

**U.S. PATENT DOCUMENTS**

1,848,085 A \* 3/1932 Eisenschmidt ..... E04G 7/02  
403/187  
3,727,358 A \* 4/1973 Howell ..... E02D 27/02  
52/169.1  
5,488,810 A \* 2/1996 Horton ..... E04B 1/2608  
403/178  
D492,889 S \* 7/2004 Craine ..... D8/354  
D511,086 S \* 11/2005 Craine ..... D8/354  
D523,735 S \* 6/2006 Craine ..... D8/354  
D558,039 S \* 12/2007 Skinner ..... D8/354  
D558,040 S \* 12/2007 Skinner ..... D8/354  
D558,041 S \* 12/2007 Skinner ..... D8/354  
D672,058 S \* 12/2012 Yoder ..... D25/119  
D672,060 S \* 12/2012 Yoder ..... D25/119

FIG. 1 is a rear perspective view of a rafter bracket in accordance with the present invention.  
FIG. 2 is a bottom perspective view thereof.  
FIG. 3 is another bottom perspective view thereof.  
FIG. 4 is a front perspective view thereof.  
FIG. 5 is a front elevation view thereof.  
FIG. 6 is a rear elevation view thereof.  
FIG. 7 is a right side elevation view thereof.  
FIG. 8 is a left side elevation view thereof.  
FIG. 9 is a top plan view thereof.  
FIG. 10 is a bottom plan view thereof; and,  
FIG. 11 is a front perspective view thereof.  
The broken lines shown in the Figures depict environmental subject matter only and are not part of the claimed design.

**1 Claim, 11 Drawing Sheets**



(56)

**References Cited**

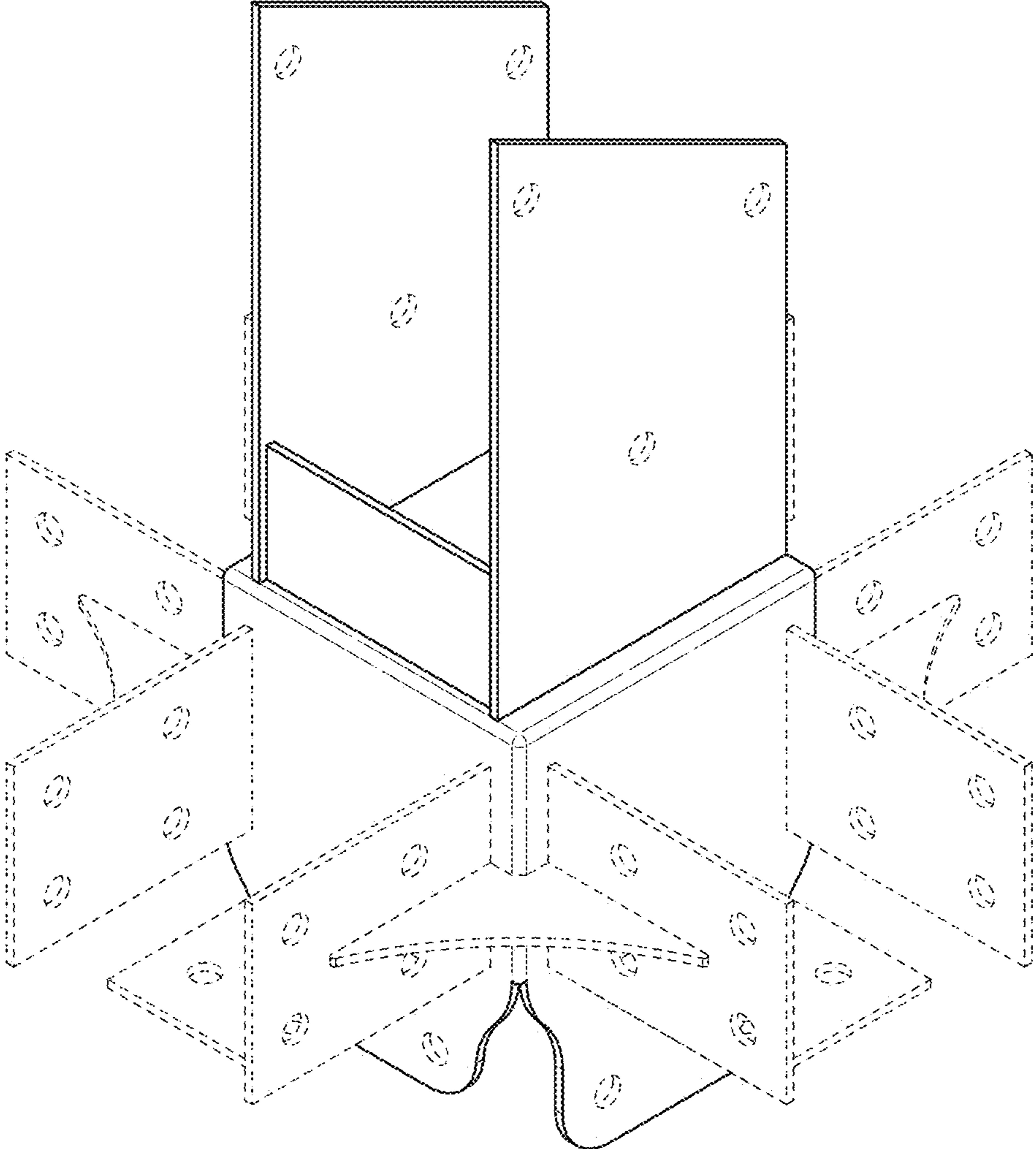
U.S. PATENT DOCUMENTS

10,100,508 B1 \* 10/2018 Fox ..... E04B 1/2608  
10,202,766 B1 \* 2/2019 Fox ..... E04B 1/2604  
10,294,656 B2 \* 5/2019 Fox ..... E04B 1/2403  
10,358,811 B1 \* 7/2019 Fox ..... E04B 1/1903  
D858,255 S \* 9/2019 Fox ..... D8/354  
D869,936 S \* 12/2019 Smith ..... D8/349  
2009/0178362 A1 \* 7/2009 Jerke ..... E04H 9/14  
52/656.9  
2018/0363287 A1 \* 12/2018 Fox ..... E04B 1/2403  
2019/0271146 A1 \* 9/2019 Fox ..... E04B 1/2604  
2019/0285224 A1 \* 9/2019 McKechnie ..... E04B 9/127

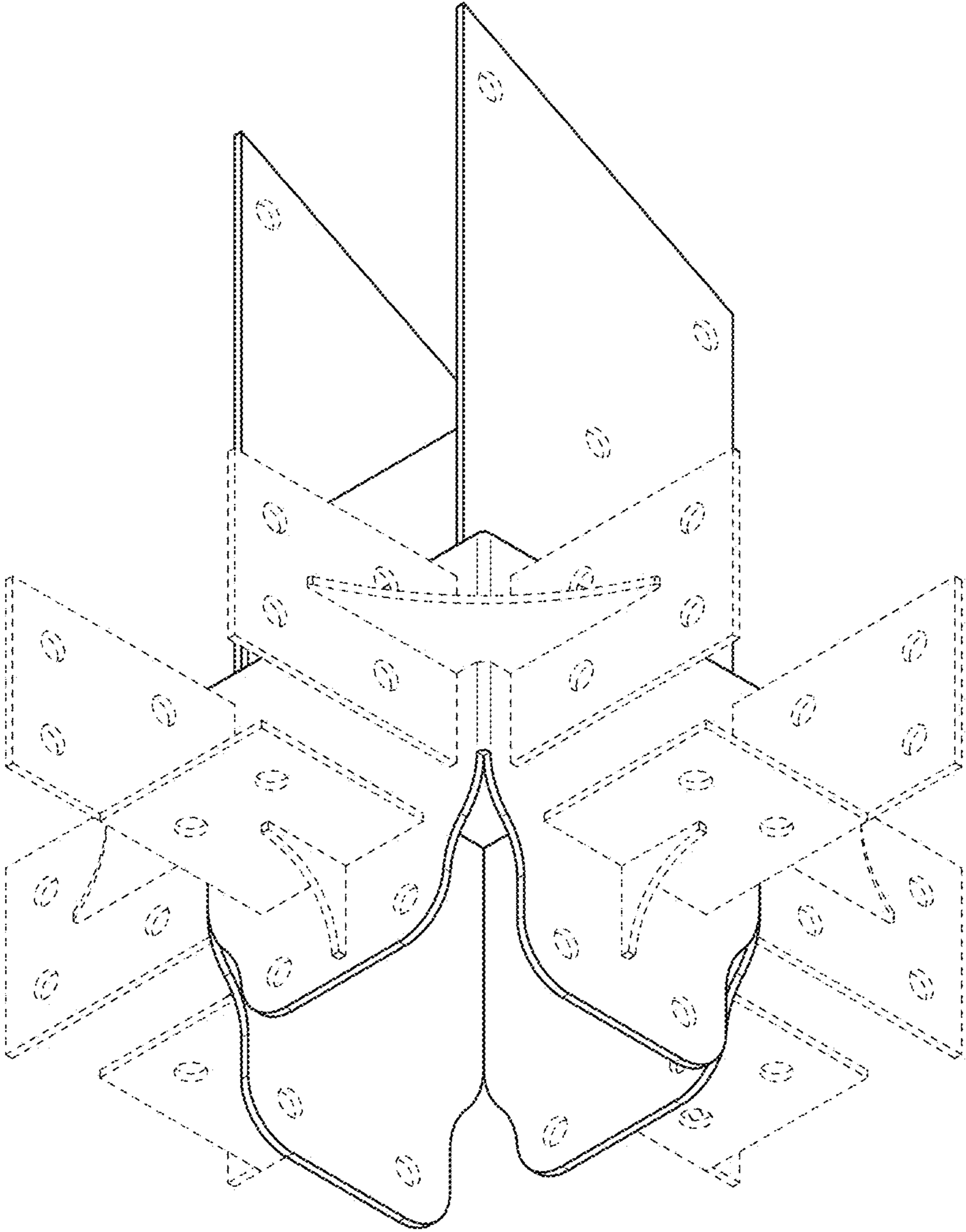
FOREIGN PATENT DOCUMENTS

KR 300919769.0000 \* 8/2017  
KR 300919771.0000 \* 8/2017  
KR 301020579.0000 \* 8/2019  
KR 301020580.0000 \* 8/2019  
KR 301020581.0000 \* 8/2019

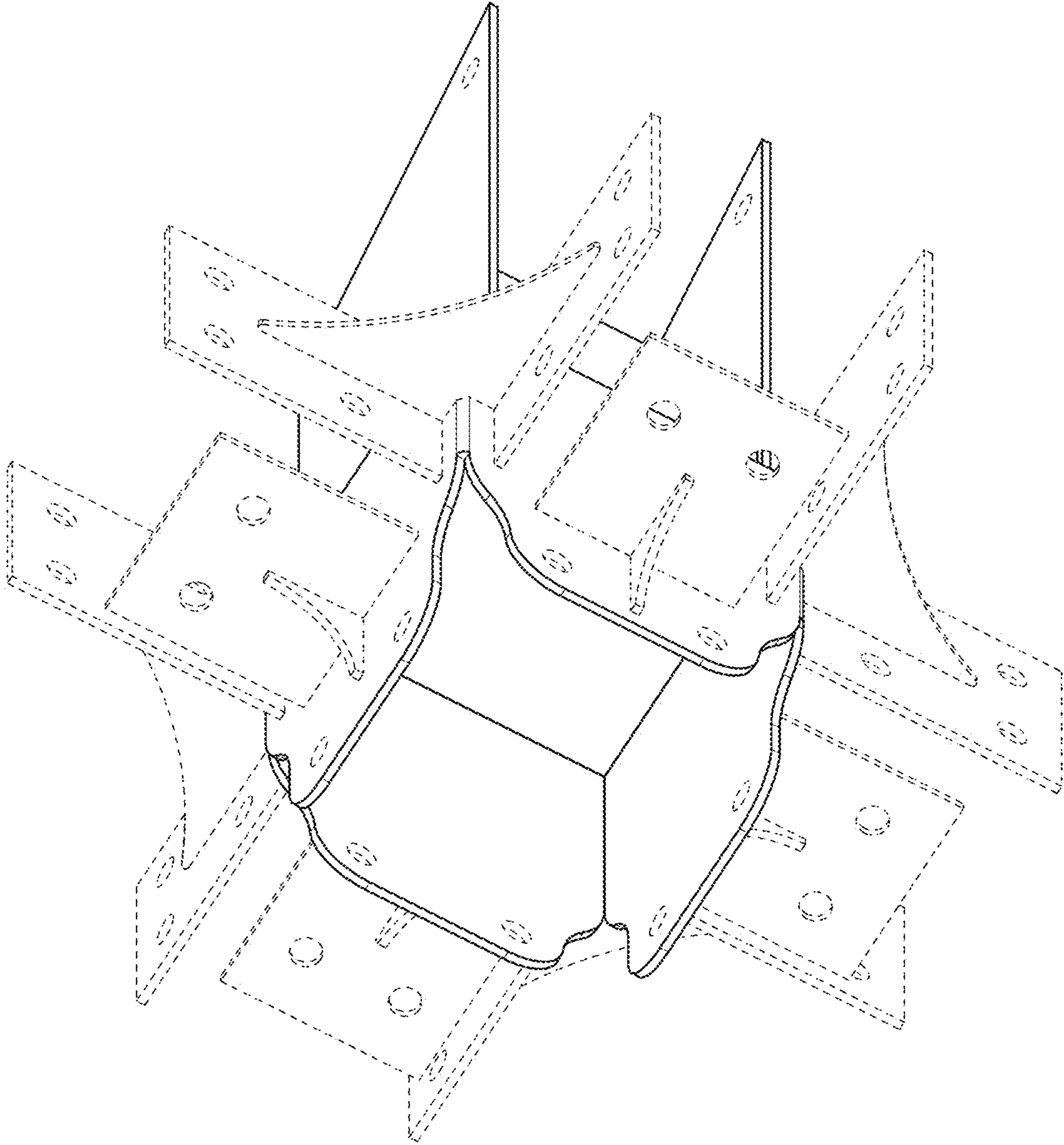
\* cited by examiner



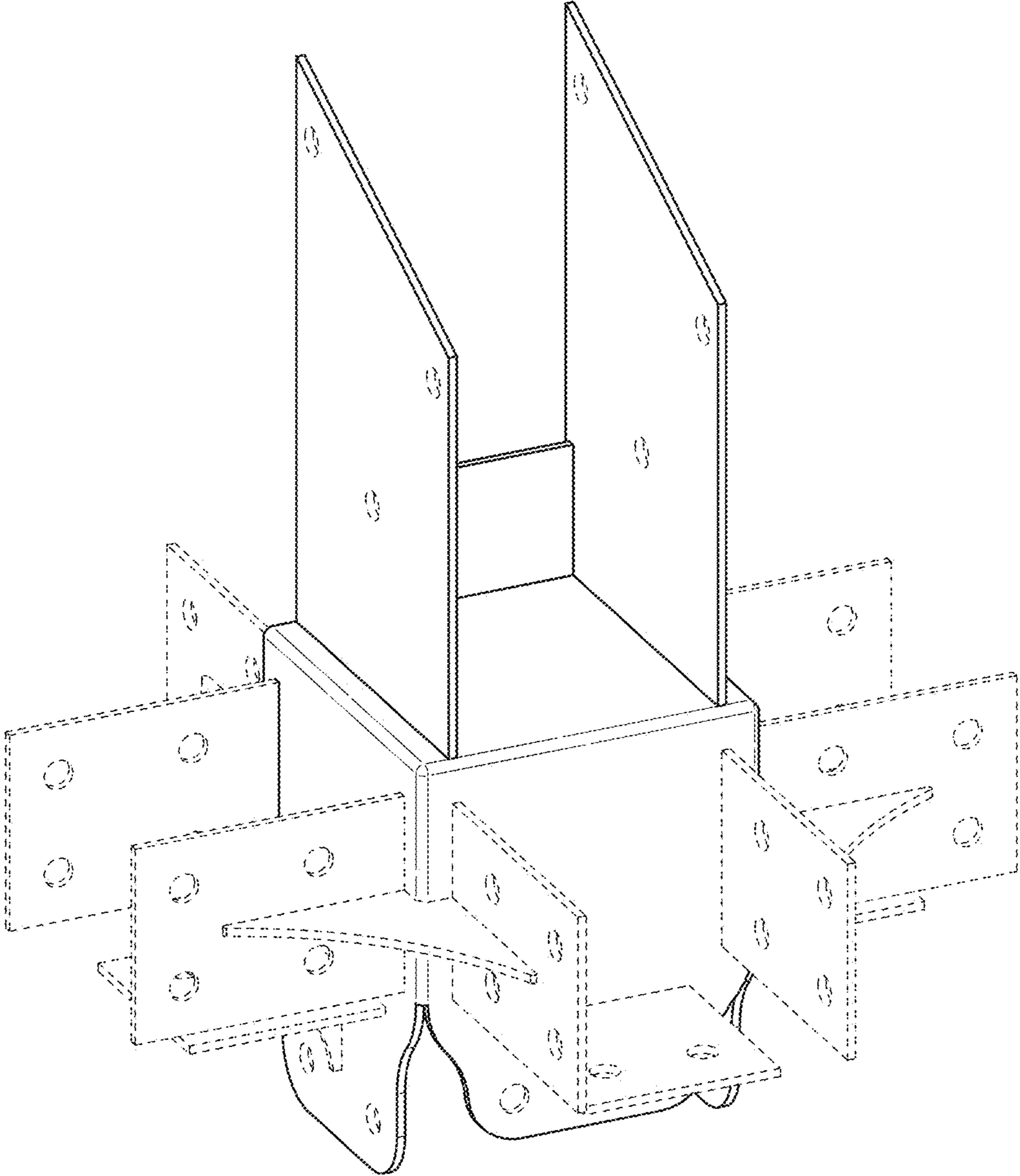
*FIG. 1*



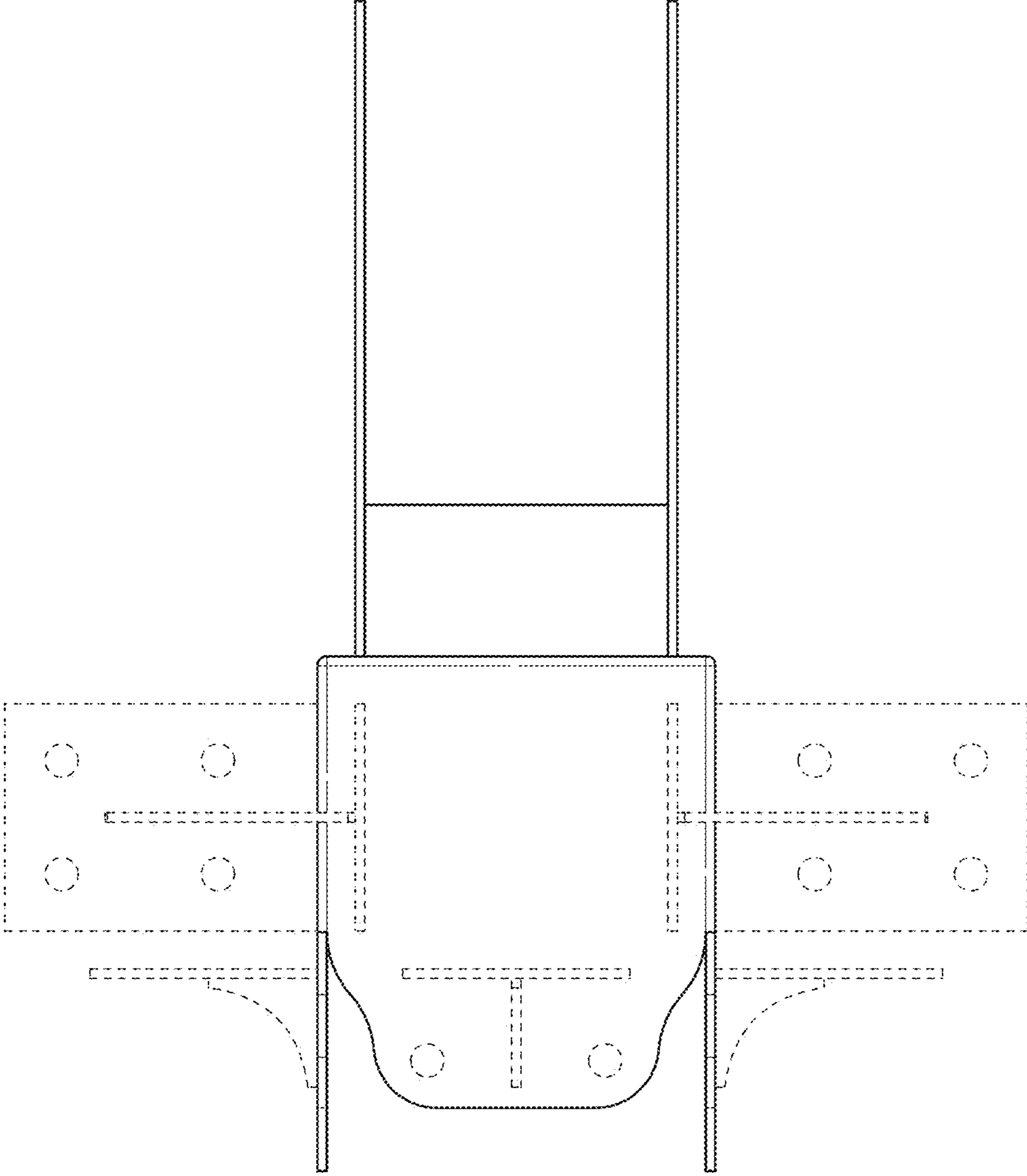
*FIG. 2*



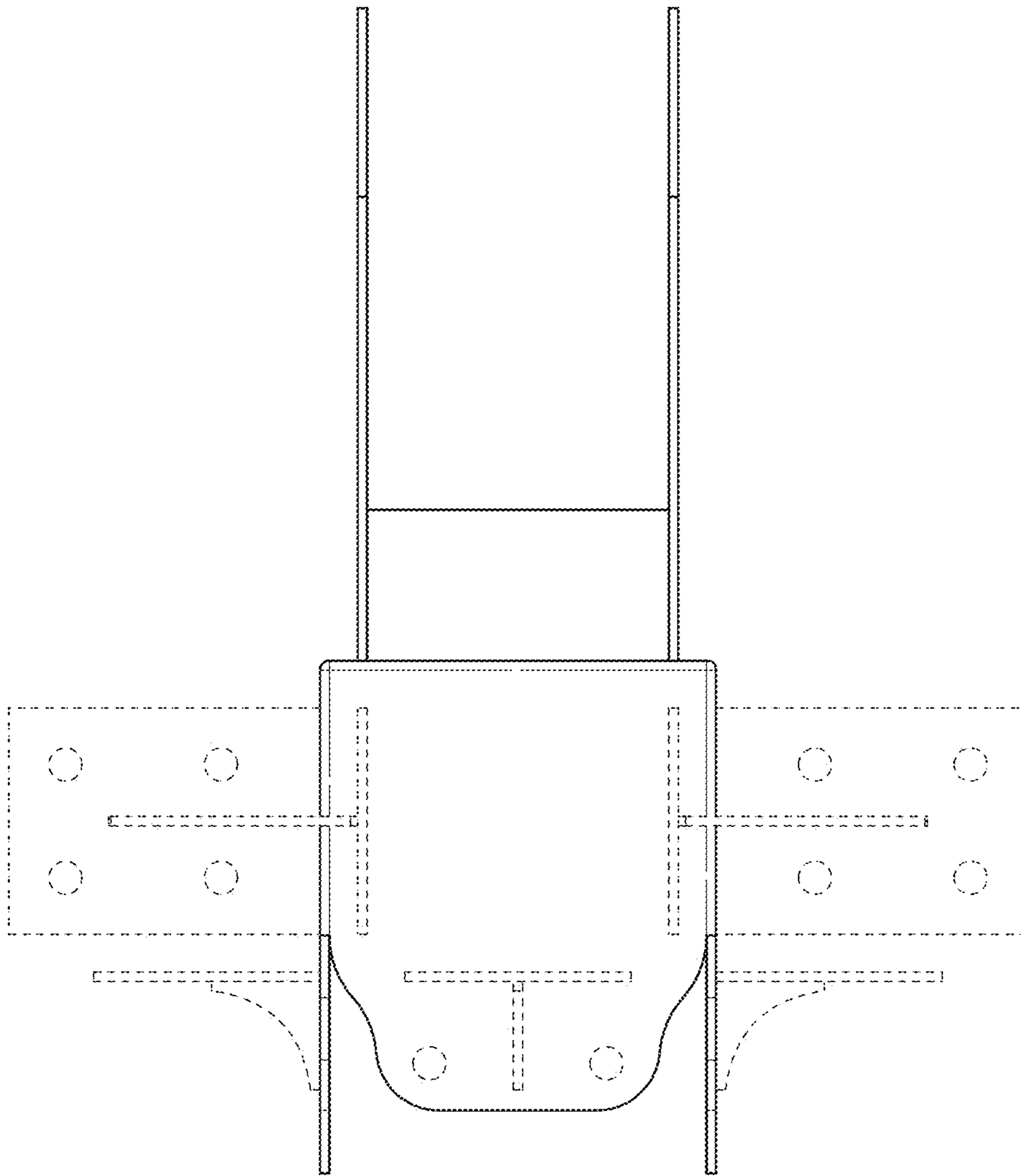
**FIG. 3**



*FIG. 4*

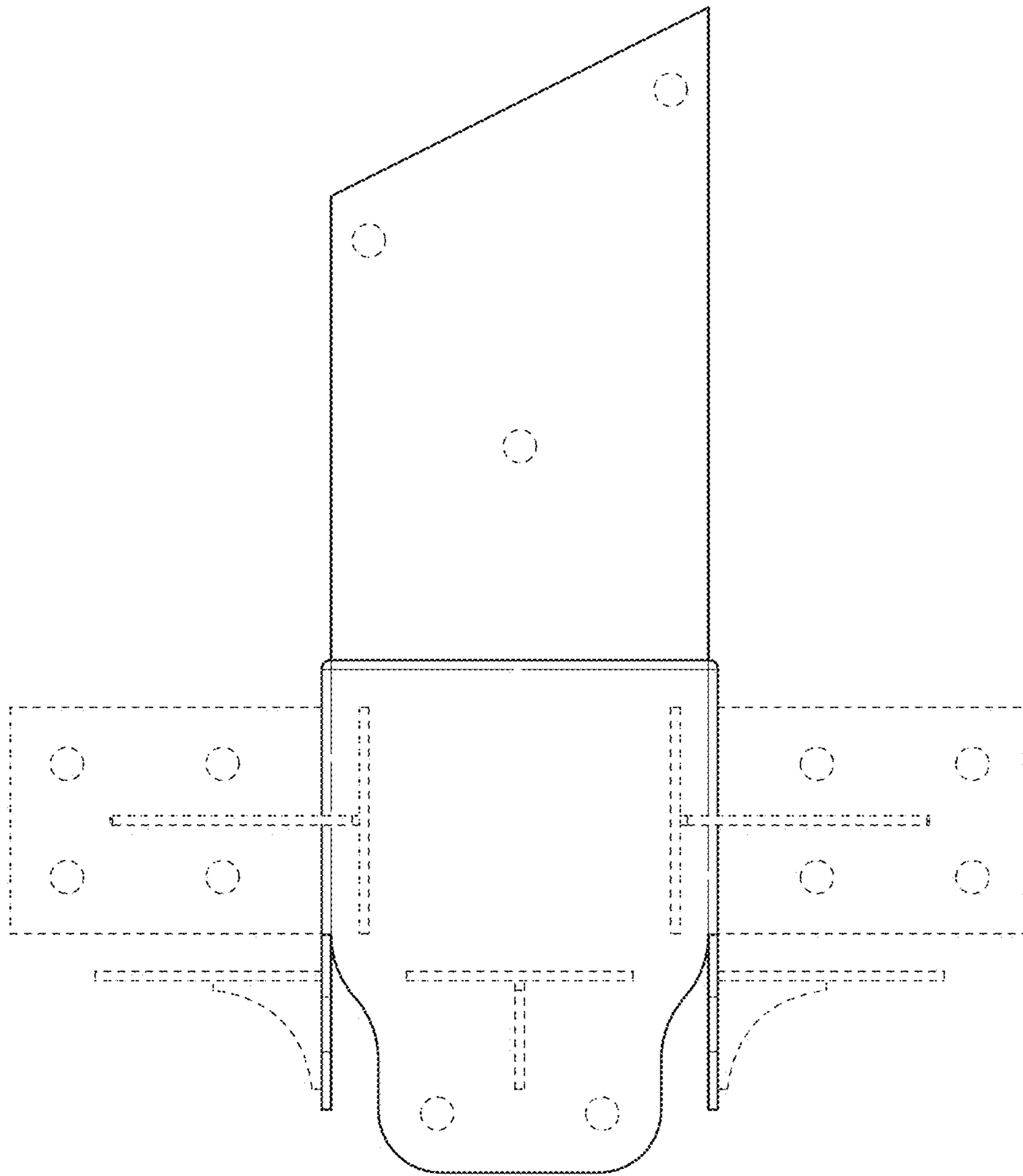


*FIG. 5*

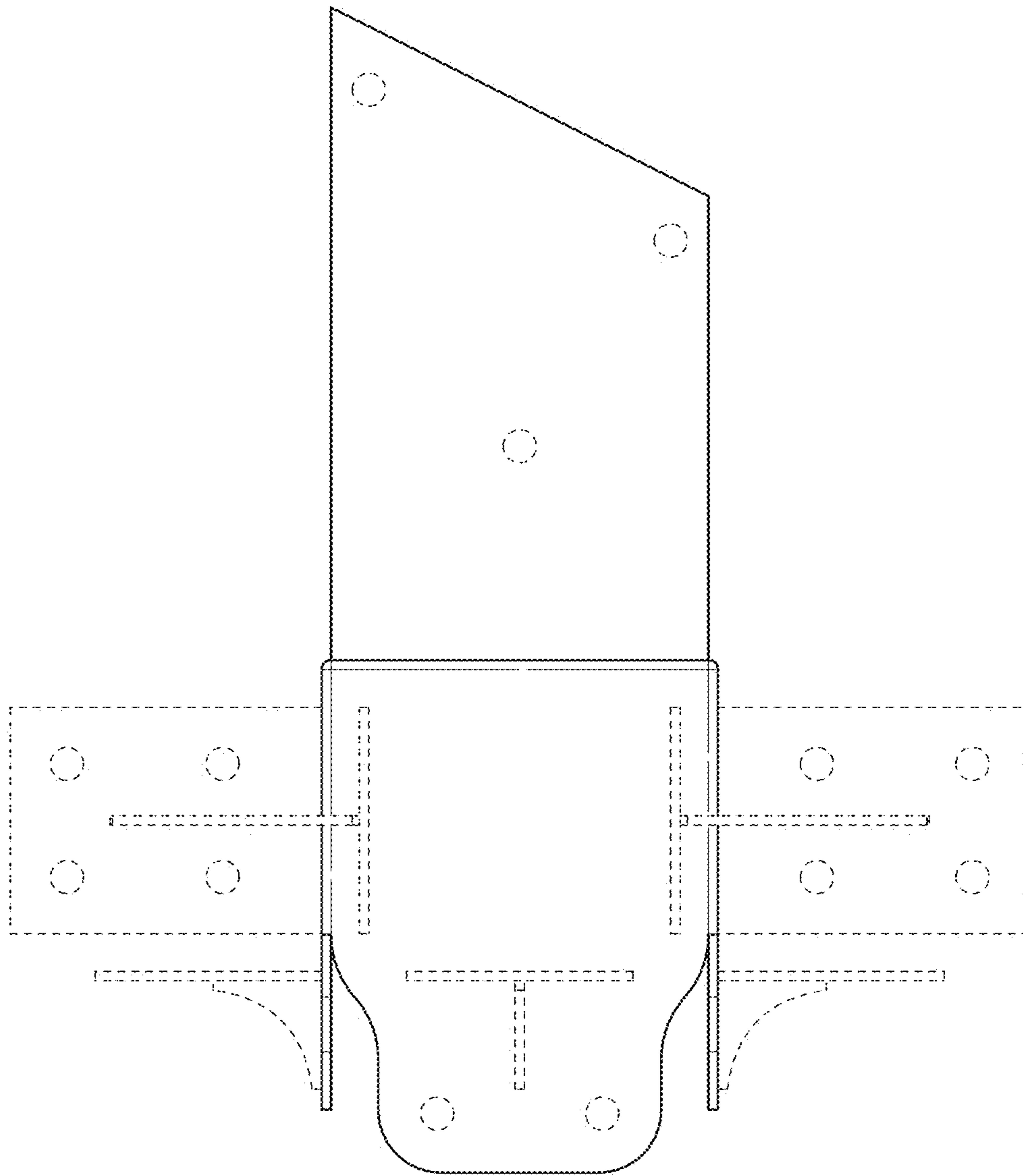


*FIG. 6*

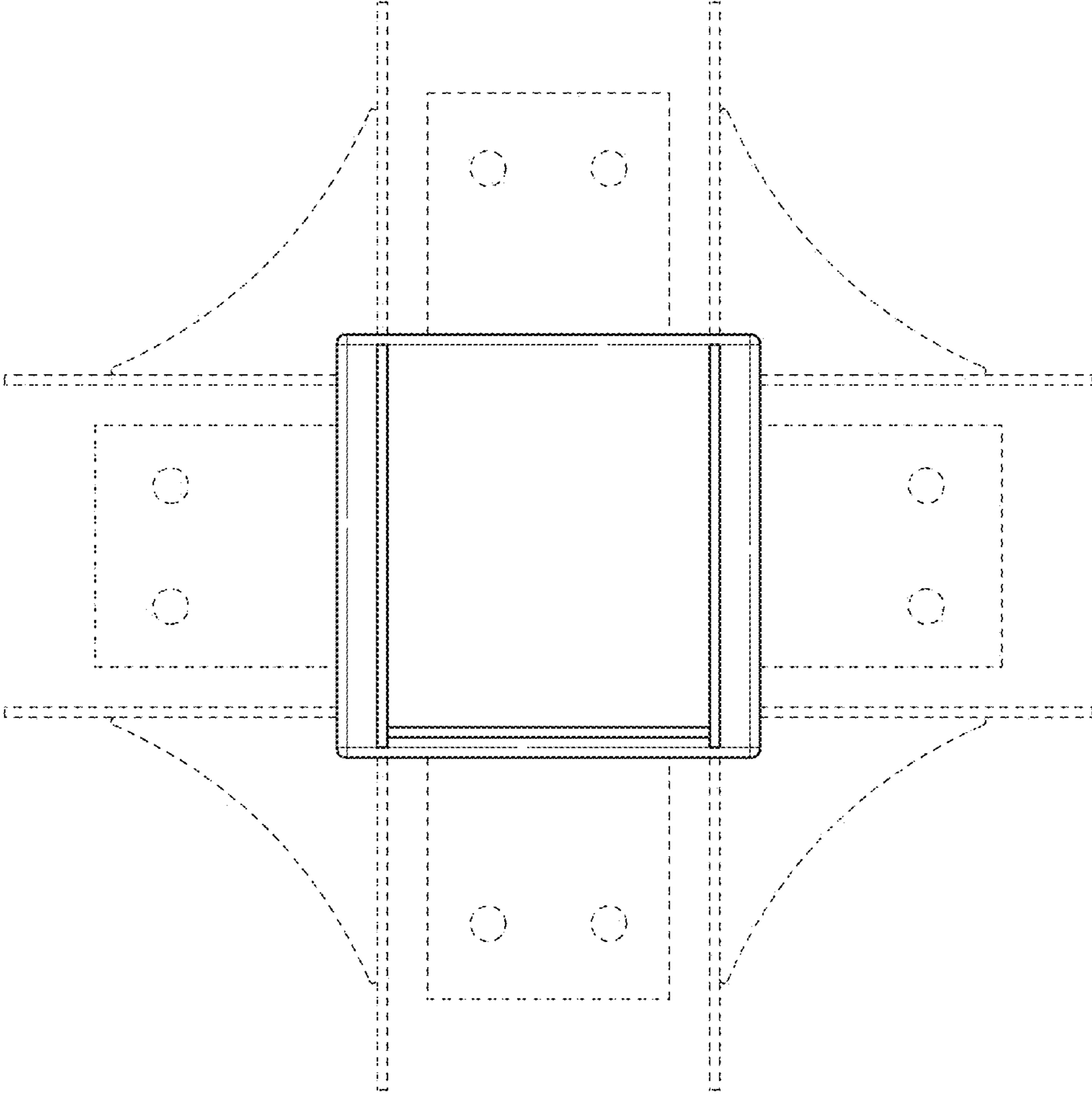




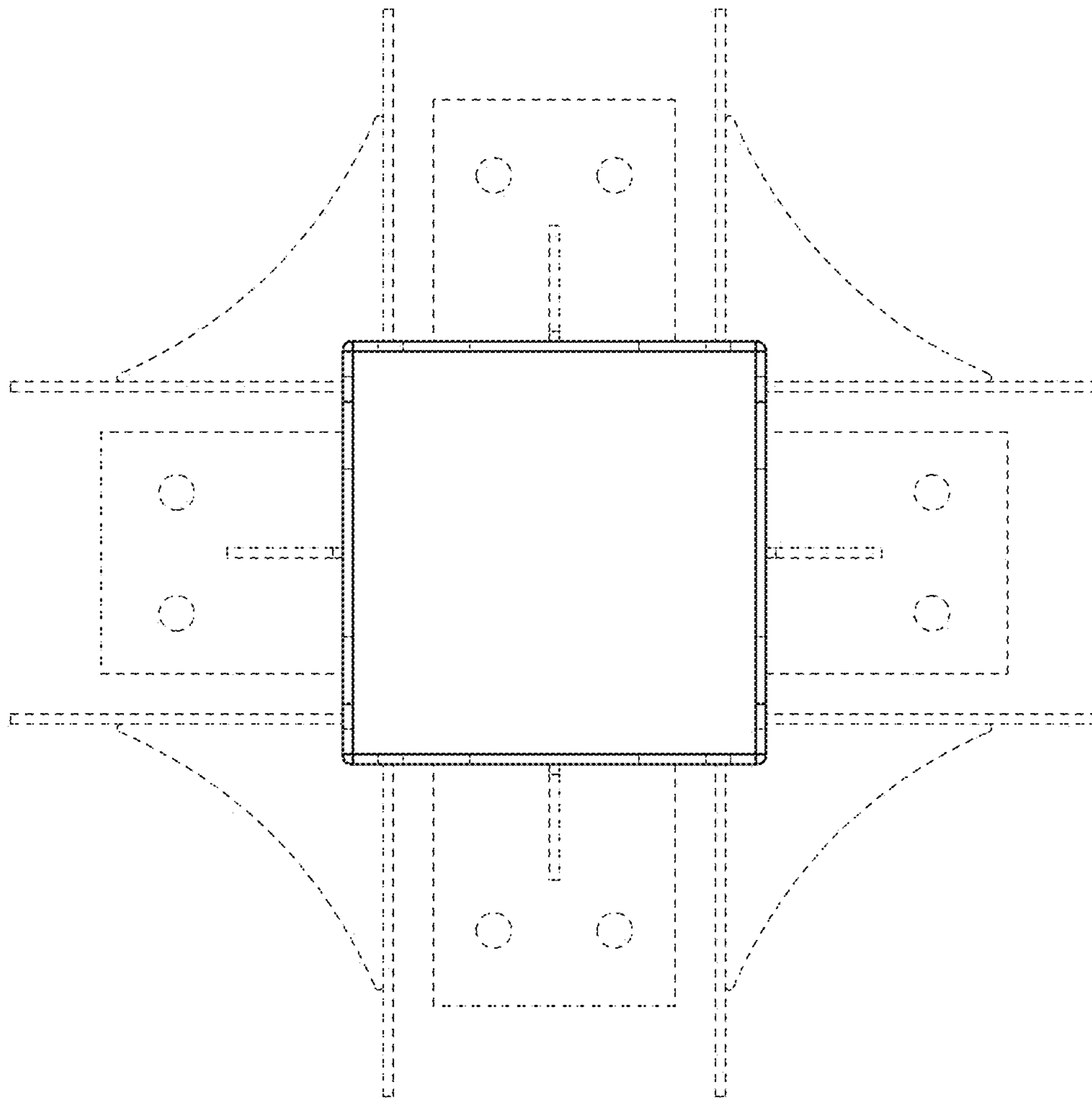
*FIG. 7*



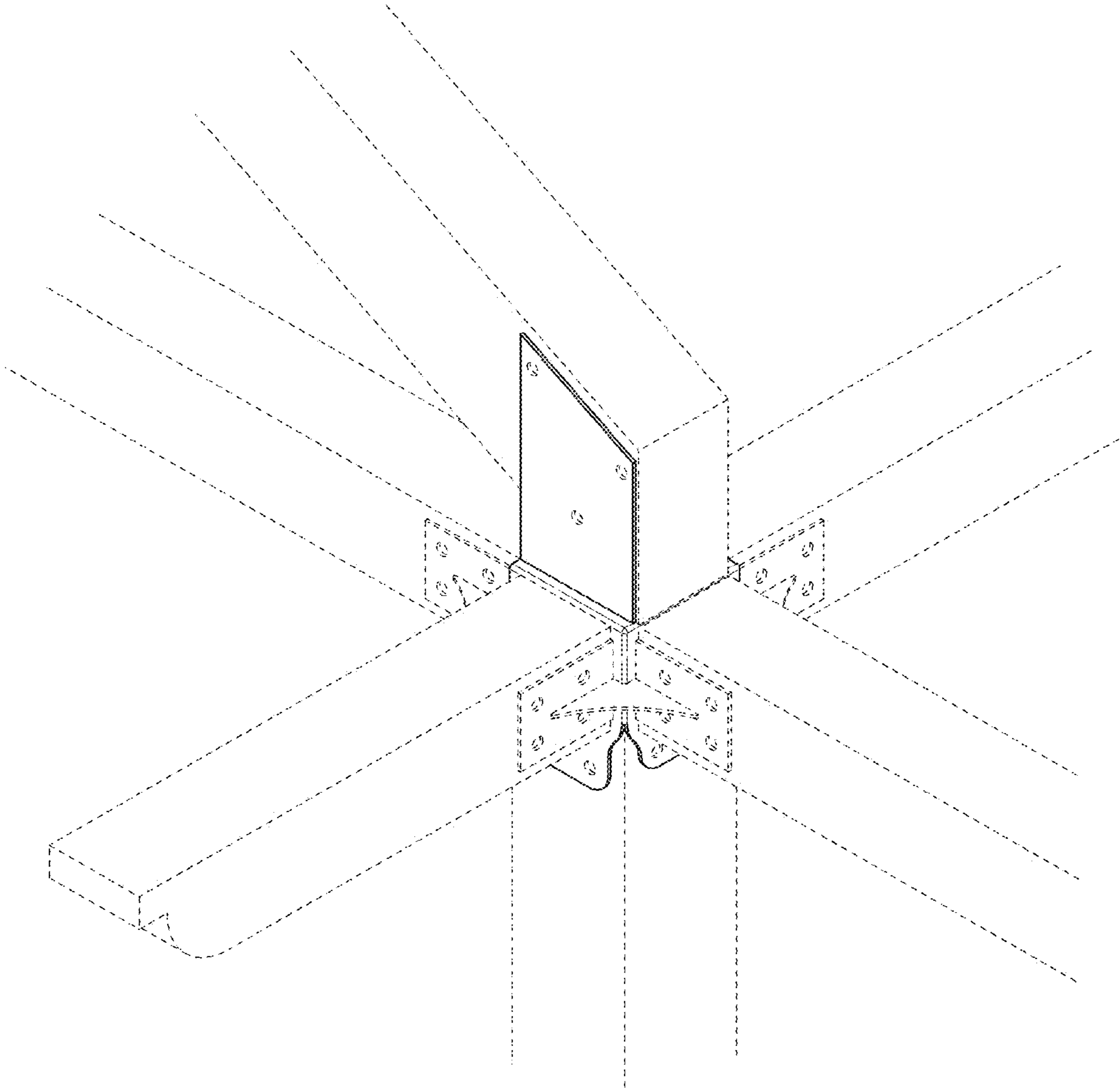
*FIG. 8*



*FIG. 9*



*FIG. 10*



*FIG. 11*