



US00D887249S

(12) **United States Design Patent**  
**Laurans et al.**

(10) **Patent No.: US D887,249 S**  
(45) **Date of Patent: \*\* Jun. 16, 2020**

- (54) **DOOR LOCK**
- (71) Applicant: **SimpliSafe, Inc.**, Boston, MA (US)
- (72) Inventors: **Charles Laurans**, Brookline, MA (US);  
**Yong Zhao**, Medford, MA (US);  
**Melina Engel**, Belmont, MA (US);  
**Chaim Futran**, Cambridge, MA (US);  
**Gregory Wolos**, Somerville, MA (US)
- (73) Assignee: **SimpliSafe, Inc.**, Boston, MA (US)
- (\*\*) Term: **15 Years**
- (21) Appl. No.: **29/676,985**
- (22) Filed: **Jan. 16, 2019**
- (51) **LOC (12) Cl. .... 08-07**
- (52) **U.S. Cl.**  
USPC ..... **D8/331**
- (58) **Field of Classification Search**  
USPC ..... D8/330, 331, 336, 338, 339, 341, 342,  
D8/343, 344, 346, 350, 352, 353  
CPC ... E05B 9/00; E05B 9/002; E05B 9/02; E05B  
9/08; E05B 43/00; E05B 45/00; E05B  
45/06; E05B 47/00; E05B 55/00; E05B  
63/00; Y10T 70/5155; Y10T 70/5199;  
Y10T 70/5212; Y10T 70/5221; Y10T  
70/7062  
See application file for complete search history.

- (56) **References Cited**  
U.S. PATENT DOCUMENTS  
5,513,505 A \* 5/1996 Dancs ..... E05B 47/026  
292/169.13  
5,695,227 A \* 12/1997 Smallegan ..... E05B 9/08  
292/140  
D437,771 S \* 2/2001 Barnes ..... D8/352  
6,334,636 B1 \* 1/2002 Huang ..... E05B 47/0012  
292/138  
D471,786 S \* 3/2003 Ellis ..... D8/350

- D472,794 S \* 4/2003 LaPlume ..... D8/350
- 6,564,600 B1 \* 5/2003 Davis ..... E05B 47/0669  
70/277
- 6,612,141 B2 \* 9/2003 Bates ..... E05B 47/0607  
70/257
- D494,841 S \* 8/2004 Moon ..... D8/352
- D513,469 S \* 1/2006 Gao ..... D8/350
- D553,949 S \* 10/2007 Luo ..... D8/338
- D554,196 S \* 10/2007 Luo ..... D8/338
- D558,026 S \* 12/2007 Luo ..... D8/338
- D578,866 S \* 10/2008 Kim ..... D8/350
- D588,439 S \* 3/2009 Lin ..... D8/330
- D591,138 S \* 4/2009 Blanchette ..... D8/330
- D592,936 S \* 5/2009 Douglas ..... D8/330
- D593,399 S \* 6/2009 Douglas ..... D8/330
- D597,821 S \* 8/2009 Nunez ..... D8/330
- 7,827,837 B2 \* 11/2010 Huang ..... E05B 47/068  
70/149
- D637,064 S \* 5/2011 Singtoroj ..... D8/330
- D639,135 S \* 6/2011 Doucet ..... D8/330

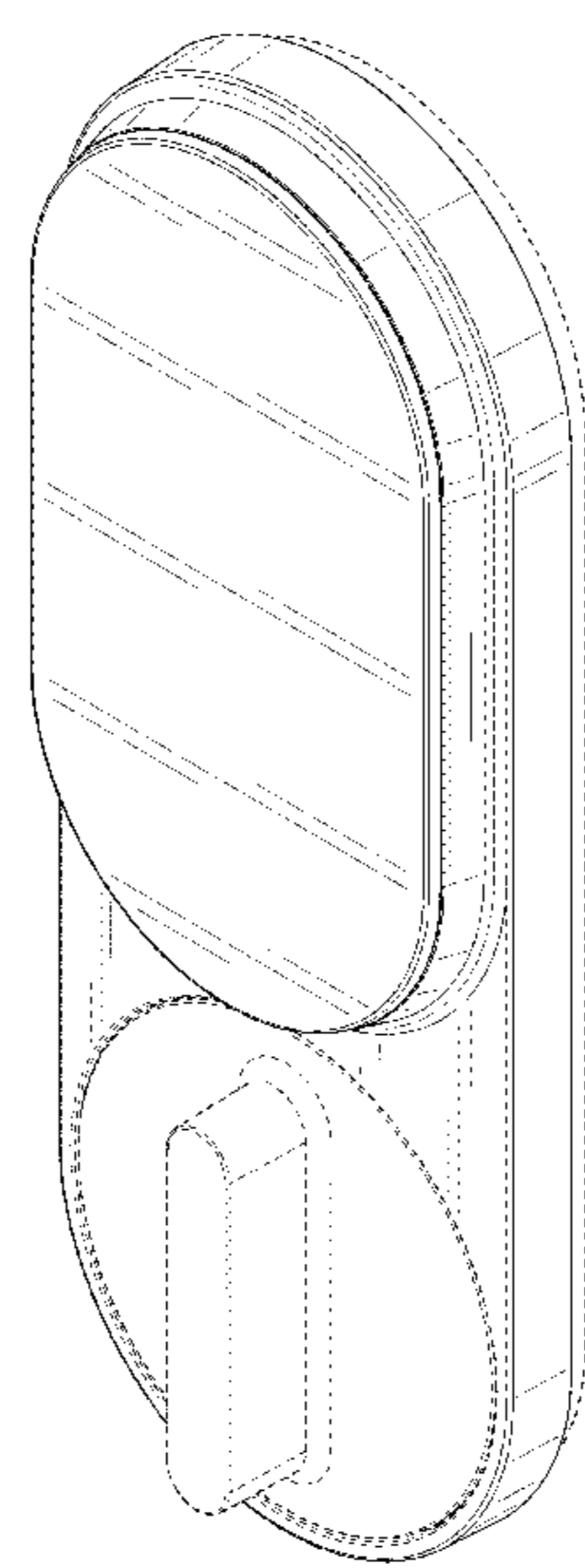
(Continued)

*Primary Examiner* — Steven J Czyz  
(74) *Attorney, Agent, or Firm* — Wolf, Greenfield & Sacks, P.C.

(57) **CLAIM**  
The ornamental design for a door lock, as shown and described.

**DESCRIPTION**  
FIG. 1 is an upper, front, right perspective view of a door lock;  
FIG. 2 is a front view thereof;  
FIG. 3 is a rear view thereof;  
FIG. 4 is a left side view thereof;  
FIG. 5 is a right side view thereof;  
FIG. 6 is a top view thereof; and,  
FIG. 7 is a bottom view thereof.  
The broken lines depict portions of the article that form no part of the claimed design.

**1 Claim, 5 Drawing Sheets**



(56)

References Cited

U.S. PATENT DOCUMENTS

D640,526 S \* 6/2011 Cash ..... D8/352  
 D645,726 S \* 9/2011 Lu ..... D8/330  
 8,025,537 B2 \* 9/2011 Craig ..... E05B 49/00  
 439/45  
 D666,074 S \* 8/2012 Genord ..... D8/330  
 8,291,732 B2 \* 10/2012 Ramsauer ..... E05B 1/0092  
 292/32  
 8,365,561 B2 \* 2/2013 Chang ..... E05B 47/02  
 292/142  
 D677,145 S \* 3/2013 Hsieh ..... D8/330  
 D679,986 S \* 4/2013 Hsieh ..... D8/330  
 D682,656 S \* 5/2013 Cramer ..... D8/331  
 D682,659 S \* 5/2013 Genord ..... D8/330  
 D683,205 S \* 5/2013 Cramer ..... D8/331  
 D693,203 S \* 11/2013 Mostert ..... D8/330  
 D693,205 S \* 11/2013 Mostert ..... D8/330  
 D693,206 S \* 11/2013 Mostert ..... D8/330  
 D693,667 S \* 11/2013 Mostert ..... D8/330  
 D694,093 S \* 11/2013 Mostert ..... D8/330  
 8,643,469 B2 \* 2/2014 Haberli ..... H04B 13/005  
 340/5.82  
 8,869,574 B2 \* 10/2014 Schmidt-Lackner .....  
 E05B 17/147  
 292/244  
 D722,260 S \* 2/2015 Warmenhoven ..... D8/330  
 D733,522 S \* 7/2015 Kim ..... D8/331  
 D735,016 S \* 7/2015 Kim ..... D8/331  
 D736,591 S \* 8/2015 Groleski ..... D8/330  
 D736,596 S \* 8/2015 Warmenhoven ..... D8/350  
 9,097,037 B2 \* 8/2015 McKibben ..... G08C 17/02  
 D737,657 S \* 9/2015 Nadgouda ..... D8/331  
 D738,186 S \* 9/2015 Nadgouda ..... D8/331  
 D755,605 S \* 5/2016 Kraus ..... D8/331  
 D756,196 S \* 5/2016 Huang ..... D8/330

D760,062 S \* 6/2016 Groleski ..... D8/331  
 D761,079 S \* 7/2016 Groleski ..... D8/331  
 9,406,181 B2 \* 8/2016 Almomani ..... G07C 9/00309  
 D766,067 S \* 9/2016 Hyde ..... D8/330  
 D766,070 S \* 9/2016 Ruoff ..... D8/343  
 D767,365 S \* 9/2016 Yu ..... D8/330  
 D768,463 S \* 10/2016 Kraus ..... D8/330  
 D771,471 S \* 11/2016 Ruoff ..... D8/330  
 D772,692 S \* 11/2016 Meyerhoffer ..... D8/331  
 D773,281 S \* 12/2016 Meyerhoffer ..... D8/331  
 D779,305 S \* 2/2017 Ku ..... D8/330  
 D779,919 S \* 2/2017 Shargh ..... D8/330  
 9,562,370 B2 \* 2/2017 Ohl ..... E05B 47/0661  
 9,580,933 B2 \* 2/2017 Maeng ..... E05B 45/06  
 D783,384 S \* 4/2017 Shargh ..... D8/330  
 D790,948 S \* 7/2017 Lai ..... D8/330  
 D790,950 S \* 7/2017 Kraus ..... D8/330  
 D790,956 S \* 7/2017 Hetfield ..... D8/330  
 D792,191 S \* 7/2017 Ku ..... D8/330  
 D794,414 S \* 8/2017 Chou ..... D8/330  
 D811,850 S \* 3/2018 Schneider ..... D8/331  
 D812,448 S \* 3/2018 Schneider ..... D8/331  
 9,947,158 B2 \* 4/2018 Baumgarte ..... G07C 9/00309  
 D817,148 S \* 5/2018 Carpintero ..... D8/331  
 D818,795 S \* 5/2018 Morstatt ..... D8/331  
 D818,797 S \* 5/2018 Morstatt ..... D8/334  
 9,963,906 B2 \* 5/2018 Roatis ..... E05B 47/0001  
 9,982,462 B2 \* 5/2018 Lin ..... E05B 47/0012  
 D837,029 S \* 1/2019 Cavanna ..... D8/331  
 10,184,272 B2 \* 1/2019 Lee ..... E05B 47/0012  
 10,221,589 B2 \* 3/2019 Roberts, III ..... E05B 17/2007  
 10,240,365 B2 \* 3/2019 Almomani ..... G07C 9/00309  
 D850,966 S \* 6/2019 Laurans ..... D10/121  
 D853,264 S \* 7/2019 Laurans ..... D10/118.2  
 10,344,501 B2 \* 7/2019 Chang ..... E05B 45/06  
 D861,460 S \* 10/2019 Ronge ..... D8/353  
 D867,104 S \* 11/2019 Morstatt ..... D8/330

\* cited by examiner

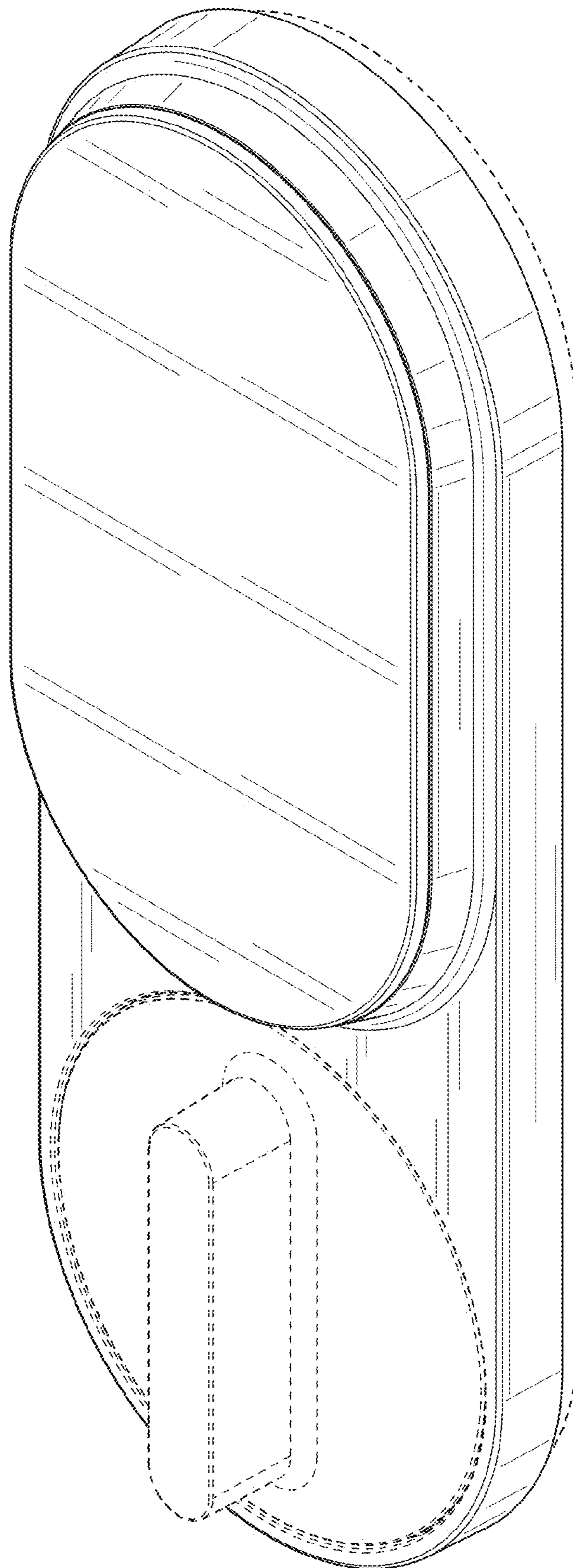


FIG. 1



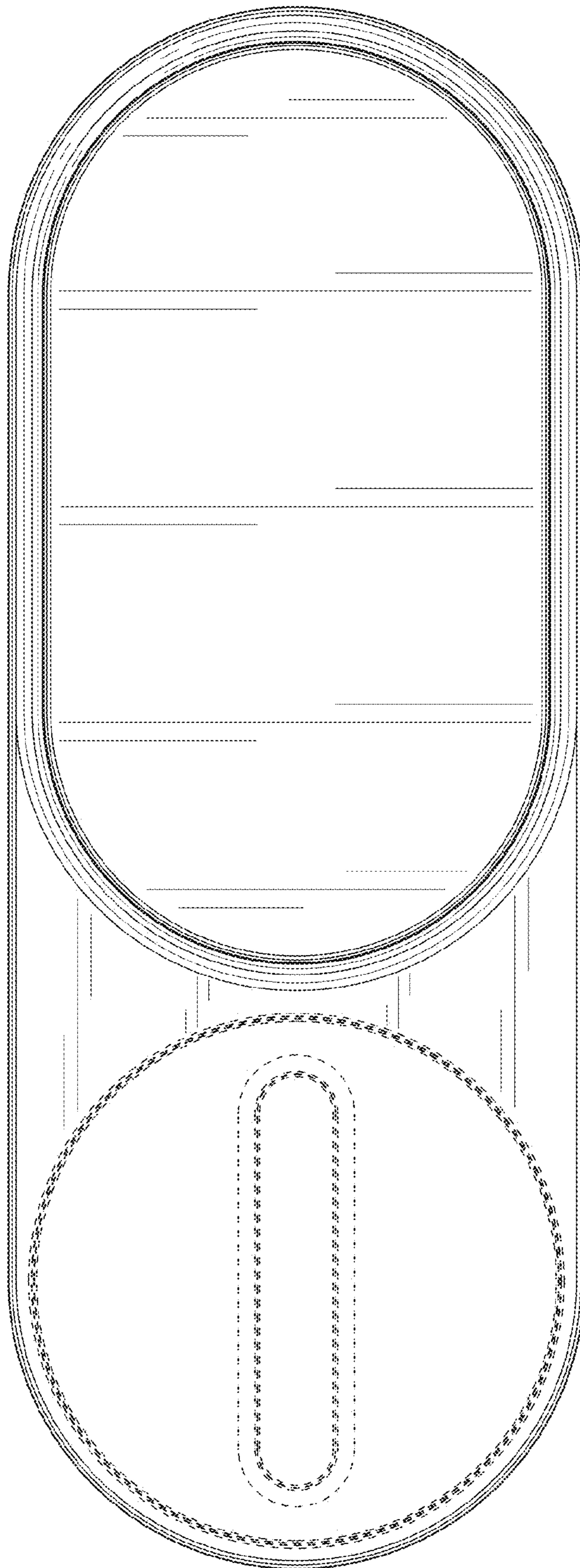


FIG. 2

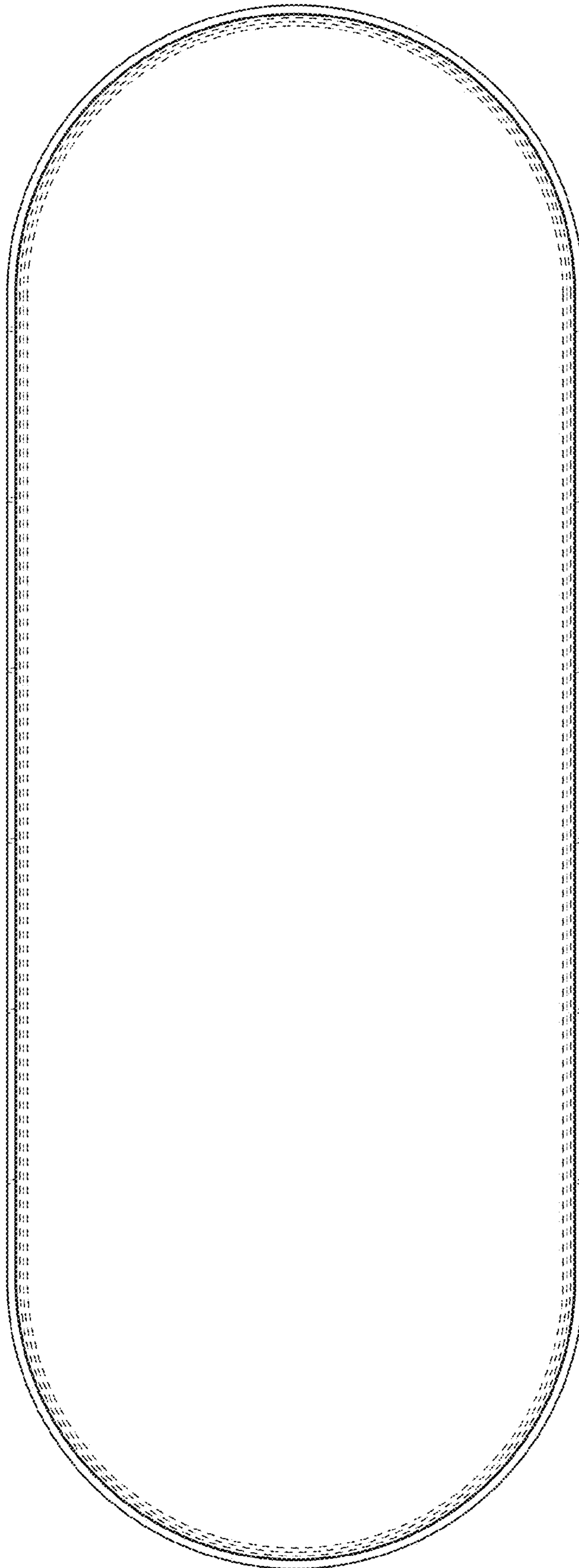


FIG. 3

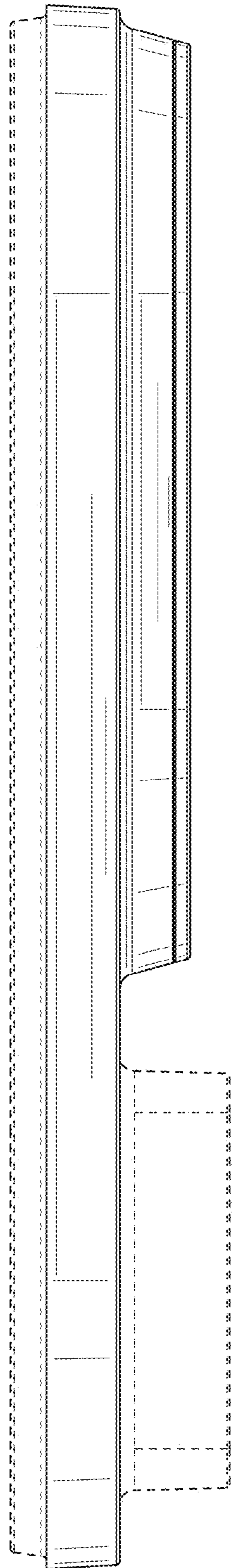


FIG. 4

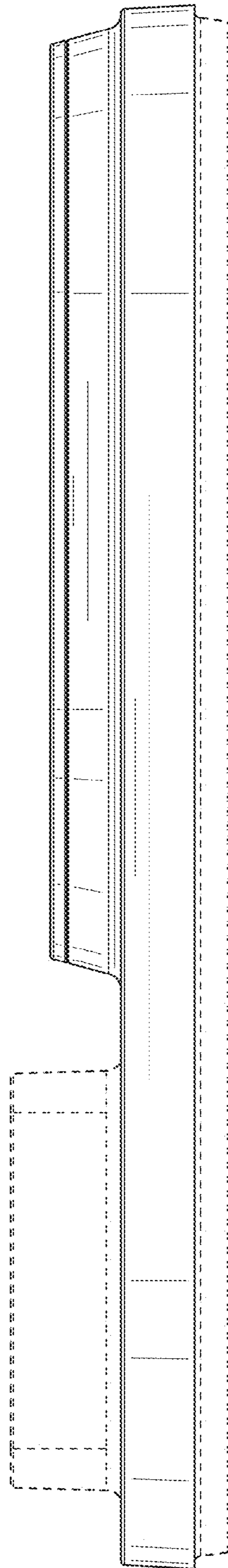


FIG. 5

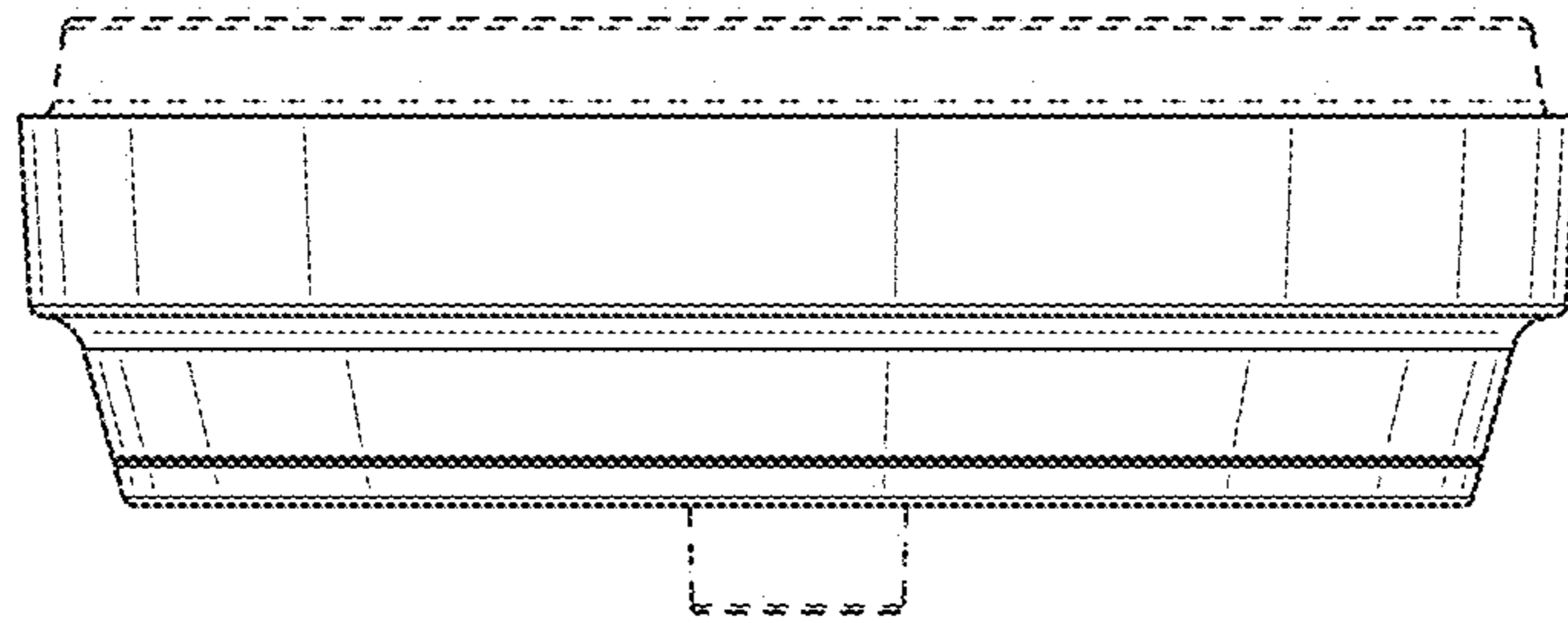


FIG. 6

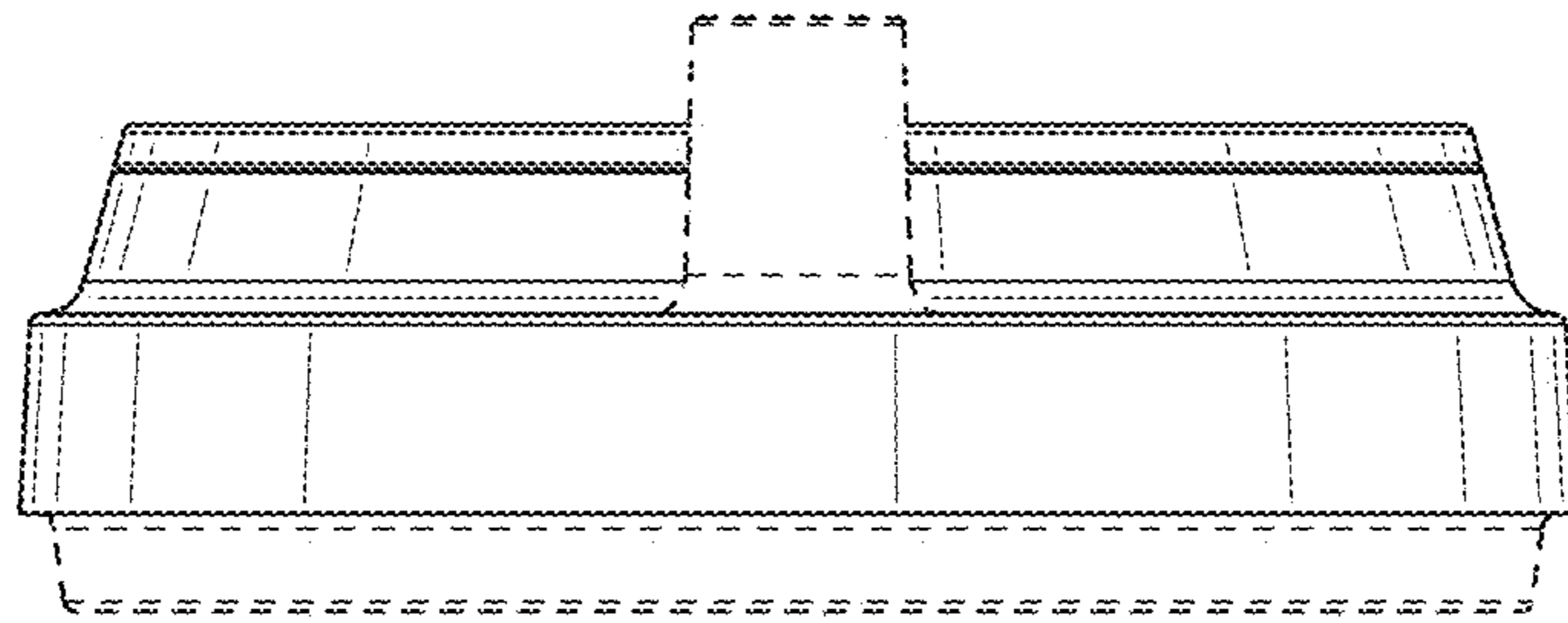


FIG. 7