



US00D887248S

(12) **United States Design Patent** (10) **Patent No.:** **US D887,248 S**
Laurans et al. (45) **Date of Patent:** **** Jun. 16, 2020**

(54) **DOOR LOCK**
(71) Applicant: **SimpliSafe, Inc.**, Boston, MA (US)
(72) Inventors: **Charles Laurans**, Brookline, MA (US);
Yong Zhao, Medford, MA (US);
Melina Engel, Belmont, MA (US);
Chaim Futran, Cambridge, MA (US);
Gregory Wolos, Somerville, MA (US)
(73) Assignee: **SimpliSafe, Inc.**, Boston, MA (US)
(**) Term: **15 Years**
(21) Appl. No.: **29/676,982**
(22) Filed: **Jan. 16, 2019**
(51) **LOC (12) Cl.** **08-07**
(52) **U.S. Cl.**
USPC **D8/331**
(58) **Field of Classification Search**
USPC D8/330, 331, 336, 338, 339, 341, 342,
D8/343, 344, 346, 350, 352, 353
CPC ... E05B 9/00; E05B 9/002; E05B 9/02; E05B
9/08; E05B 43/00; E05B 45/00; E05B
45/06; E05B 47/00; E05B 55/00; E05B
63/00; Y10T 70/5155; Y10T 70/5199;
Y10T 70/5212; Y10T 70/5221; Y10T
70/7062
See application file for complete search history.

(56) **References Cited**
U.S. PATENT DOCUMENTS
5,513,505 A * 5/1996 Dancs E05B 47/026
292/169.13
5,695,227 A * 12/1997 Smallegan E05B 9/08
292/140
D437,771 S * 2/2001 Barnes D8/352
6,334,636 B1 * 1/2002 Huang E05B 47/0012
292/138
D471,786 S * 3/2003 Ellis D8/350

D472,794 S * 4/2003 LaPlume D8/350
6,564,600 B1 * 5/2003 Davis E05B 47/0669
70/277
6,612,141 B2 * 9/2003 Bates E05B 47/0607
70/257
D494,841 S * 8/2004 Moon D8/352
D513,469 S * 1/2006 Gao D8/350
D553,949 S * 10/2007 Luo D8/338
D554,196 S * 10/2007 Luo D8/338
D558,026 S * 12/2007 Luo D8/338
D578,866 S * 10/2008 Kim D8/350
D588,439 S * 3/2009 Lin D8/330
D591,138 S * 4/2009 Blanchette D8/330
D592,936 S * 5/2009 Douglas D8/330
D593,399 S * 6/2009 Douglas D8/330
D597,821 S * 8/2009 Nunez D8/330
7,827,837 B2 * 11/2010 Huang E05B 47/068
70/149

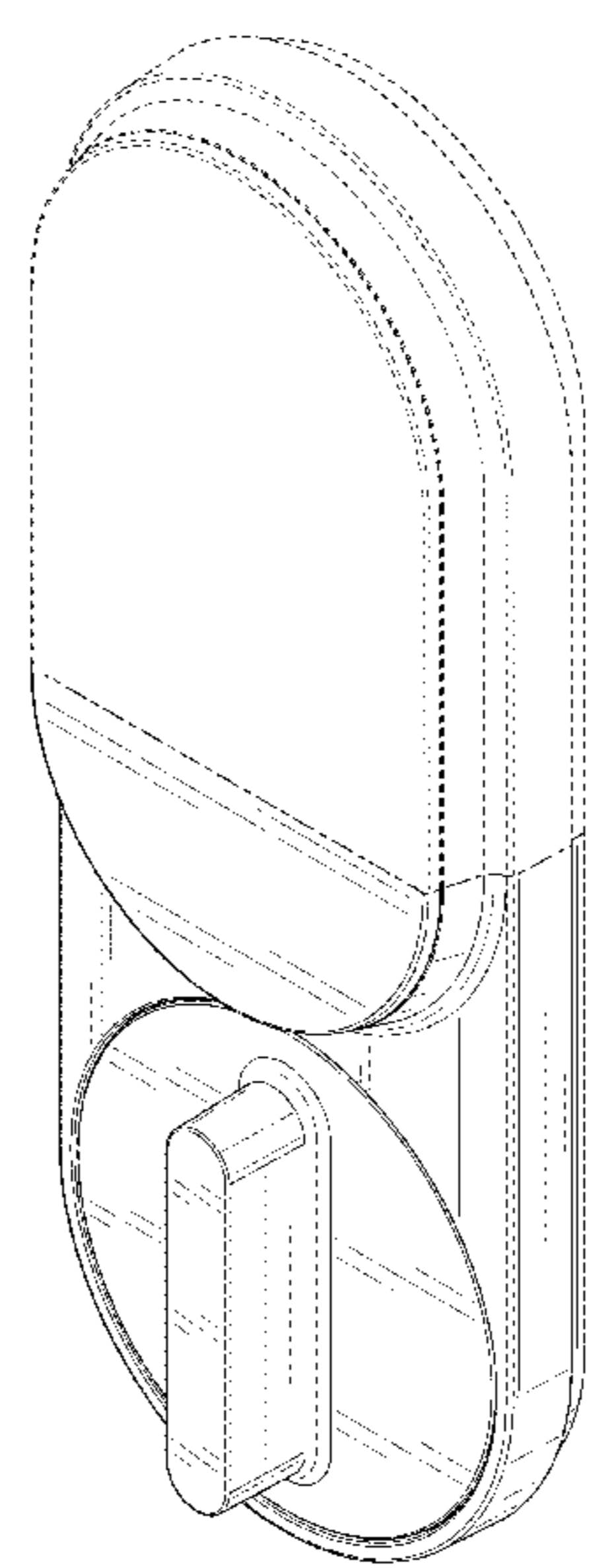
(Continued)

Primary Examiner — Steven J Czyn
(74) *Attorney, Agent, or Firm* — Wolf, Greenfield &
Sacks, P.C.

(57) **CLAIM**
The ornamental design for a door lock, as shown and
described.

DESCRIPTION
FIG. 1 is an upper, front, right perspective view of a door
lock;
FIG. 2 is a front view thereof;
FIG. 3 is a rear view thereof;
FIG. 4 is a left side view thereof;
FIG. 5 is a right side view thereof;
FIG. 6 is a top view thereof; and,
FIG. 7 is a bottom view thereof.
The dash-dash lines depict portions of the article that form
no part of the claimed design; and the dash-dot-dash lines
represent boundaries of the claimed design and form no part
thereof.

1 Claim, 5 Drawing Sheets



(56)

References Cited

U.S. PATENT DOCUMENTS

D637,064 S *	5/2011	Singtoroj	D8/330	D756,196 S *	5/2016	Huang	D8/330
D639,135 S *	6/2011	Doucet	D8/330	D760,062 S *	6/2016	Groleski	D8/331
D640,526 S *	6/2011	Cash	D8/352	D761,079 S *	7/2016	Groleski	D8/331
D645,726 S *	9/2011	Lu	D8/330	9,406,181 B2 *	8/2016	Almomani	G07C 9/00309
8,025,537 B2 *	9/2011	Craig	E05B 49/00 439/45	D766,067 S *	9/2016	Hyde	D8/330
D666,074 S *	8/2012	Genord	D8/330	D766,070 S *	9/2016	Ruoff	D8/343
8,291,732 B2 *	10/2012	Ramsauer	E05B 1/0092 292/32	D767,365 S *	9/2016	Yu	D8/330
8,365,561 B2 *	2/2013	Chang	E05B 47/02 292/142	D768,463 S *	10/2016	Kraus	D8/330
D677,145 S *	3/2013	Hsieh	D8/330	D771,471 S *	11/2016	Ruoff	D8/330
D679,986 S *	4/2013	Hsieh	D8/330	D772,692 S *	11/2016	Meyerhoffer	D8/331
D682,656 S *	5/2013	Cramer	D8/331	D773,281 S *	12/2016	Meyerhoffer	D8/331
D682,659 S *	5/2013	Genord	D8/330	D779,305 S *	2/2017	Ku	D8/330
D683,205 S *	5/2013	Cramer	D8/331	D779,919 S *	2/2017	Shargh	D8/330
D693,203 S *	11/2013	Mostert	D8/330	9,562,370 B2 *	2/2017	Ohl	E05B 47/0661
D693,205 S *	11/2013	Mostert	D8/330	9,580,933 B2 *	2/2017	Maeng	E05B 45/06
D693,206 S *	11/2013	Mostert	D8/330	D783,384 S *	4/2017	Shargh	D8/330
D693,667 S *	11/2013	Mostert	D8/330	D790,948 S *	7/2017	Lai	D8/330
D694,093 S *	11/2013	Mostert	D8/330	D790,950 S *	7/2017	Kraus	D8/330
8,643,469 B2 *	2/2014	Haberli	H04B 13/005 340/5.82	D790,956 S *	7/2017	Hetfield	D8/330
8,869,574 B2 *	10/2014	Schmidt-Lackner	E05B 17/147 292/244	D792,191 S *	7/2017	Ku	D8/330
D722,260 S *	2/2015	Warmenhoven	D8/330	D794,414 S *	8/2017	Chou	D8/330
D733,522 S *	7/2015	Kim	D8/331	D811,850 S *	3/2018	Schneider	D8/331
D735,016 S *	7/2015	Kim	D8/331	D812,448 S *	3/2018	Schneider	D8/331
D736,591 S *	8/2015	Groleski	D8/330	9,947,158 B2 *	4/2018	Baumgarte	G07C 9/00309
D736,596 S *	8/2015	Warmenhoven	D8/350	D817,148 S *	5/2018	Carpintero	D8/331
9,097,037 B2 *	8/2015	McKibben	G08C 17/02	D818,795 S *	5/2018	Morstatt	D8/331
D737,657 S *	9/2015	Nadgouda	D8/331	D818,797 S *	5/2018	Morstatt	D8/334
D738,186 S *	9/2015	Nadgouda	D8/331	9,963,906 B2 *	5/2018	Roatis	E05B 47/0001
D755,605 S *	5/2016	Kraus	D8/331	9,982,462 B2 *	5/2018	Lin	E05B 47/0012
				D837,029 S *	1/2019	Cavanna	D8/331
				10,184,272 B2 *	1/2019	Lee	E05B 47/0012
				10,221,589 B2 *	3/2019	Roberts, III	E05B 17/2007
				10,240,365 B2 *	3/2019	Almomani	G07C 9/00309
				D850,966 S *	6/2019	Laurans	D10/121
				D853,264 S *	7/2019	Laurans	D10/118.2
				10,344,501 B2 *	7/2019	Chang	E05B 45/06
				D861,460 S *	10/2019	Ronge	D8/353
				D867,104 S *	11/2019	Morstatt	D8/330

* cited by examiner

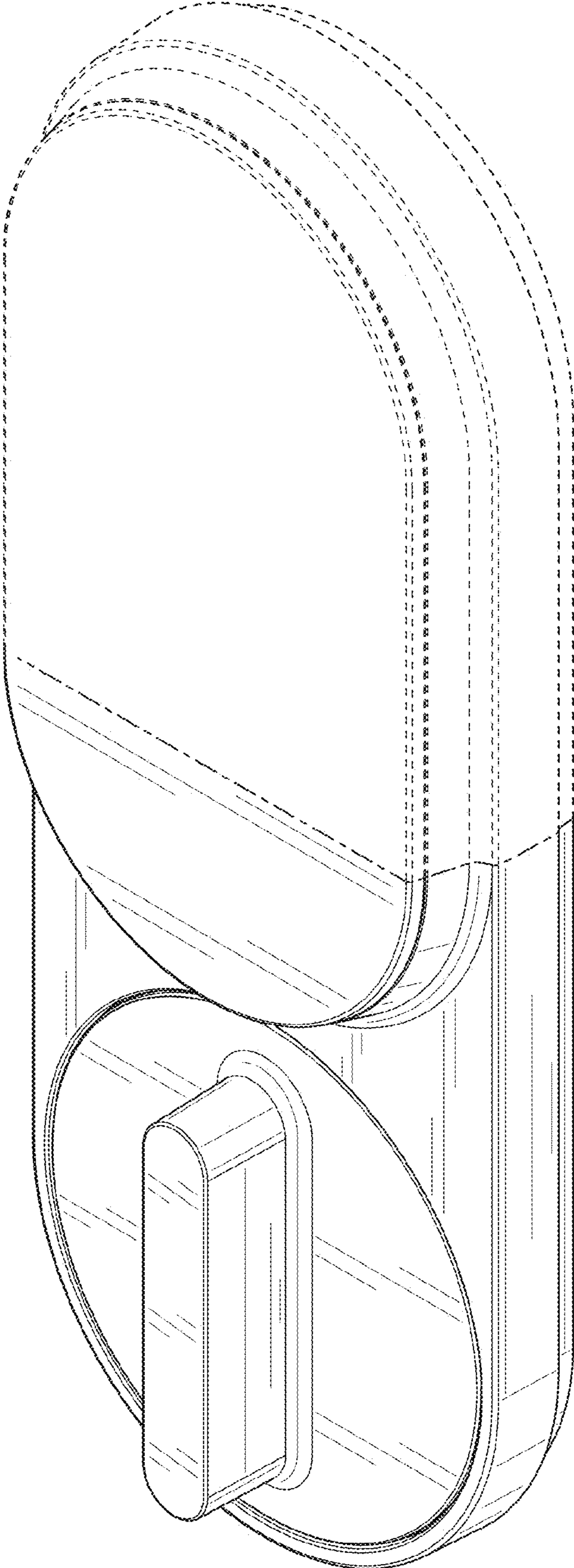


FIG. 1

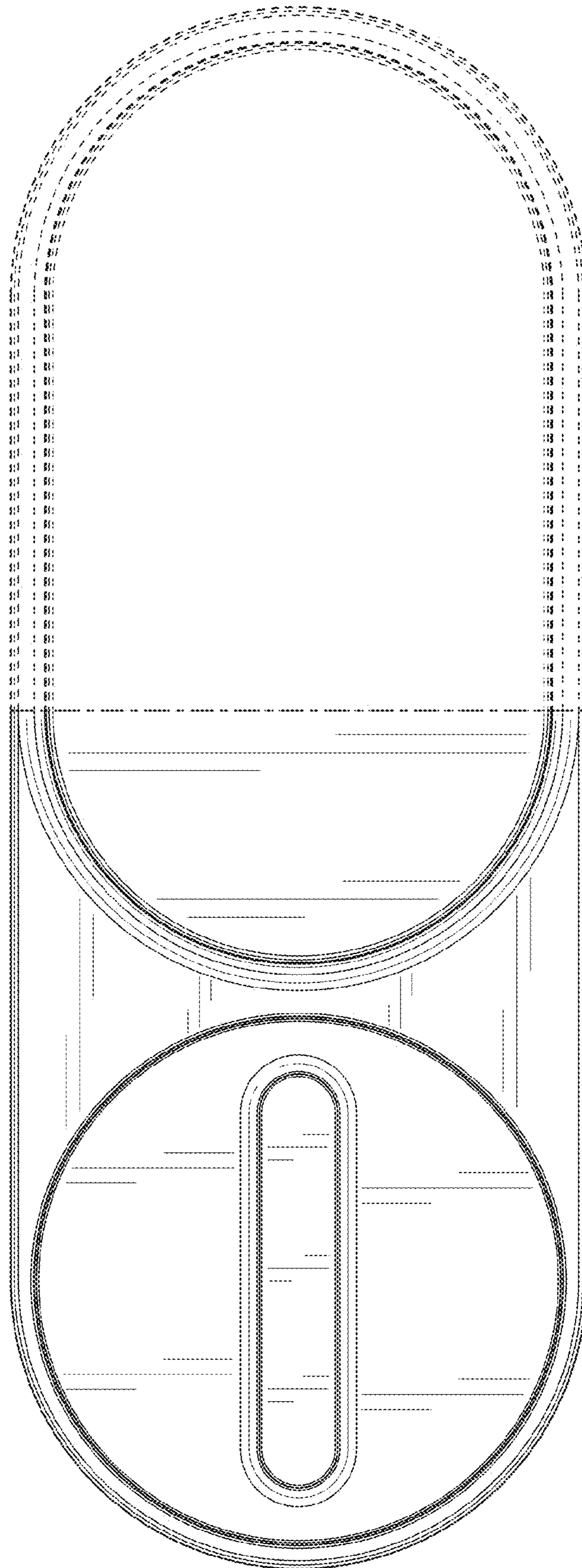


FIG. 2

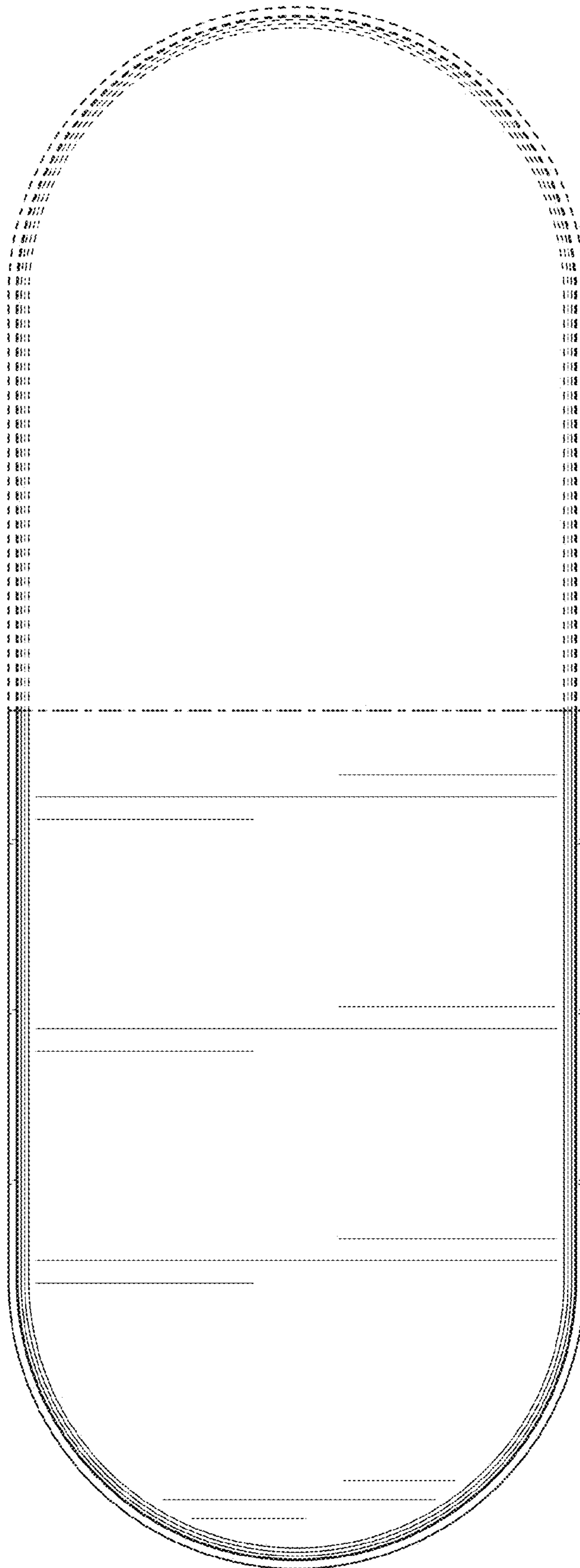


FIG. 3

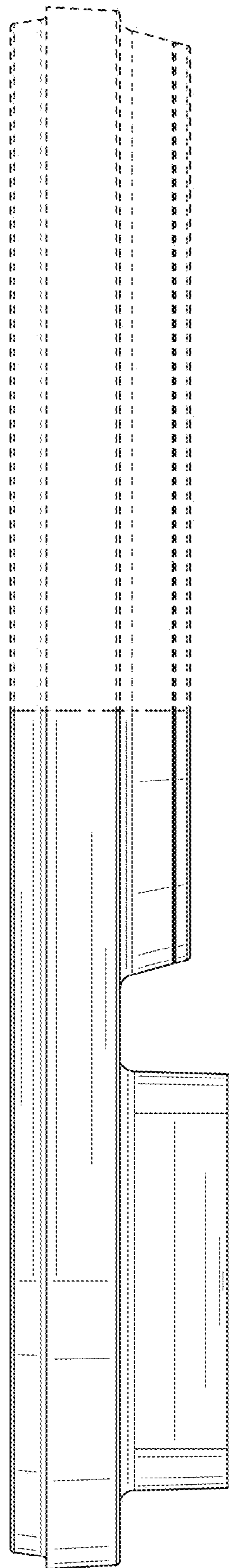


FIG. 4

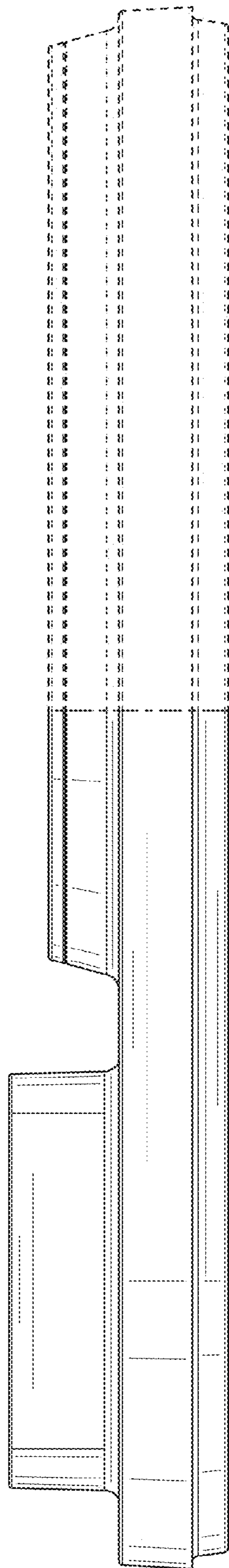


FIG. 5

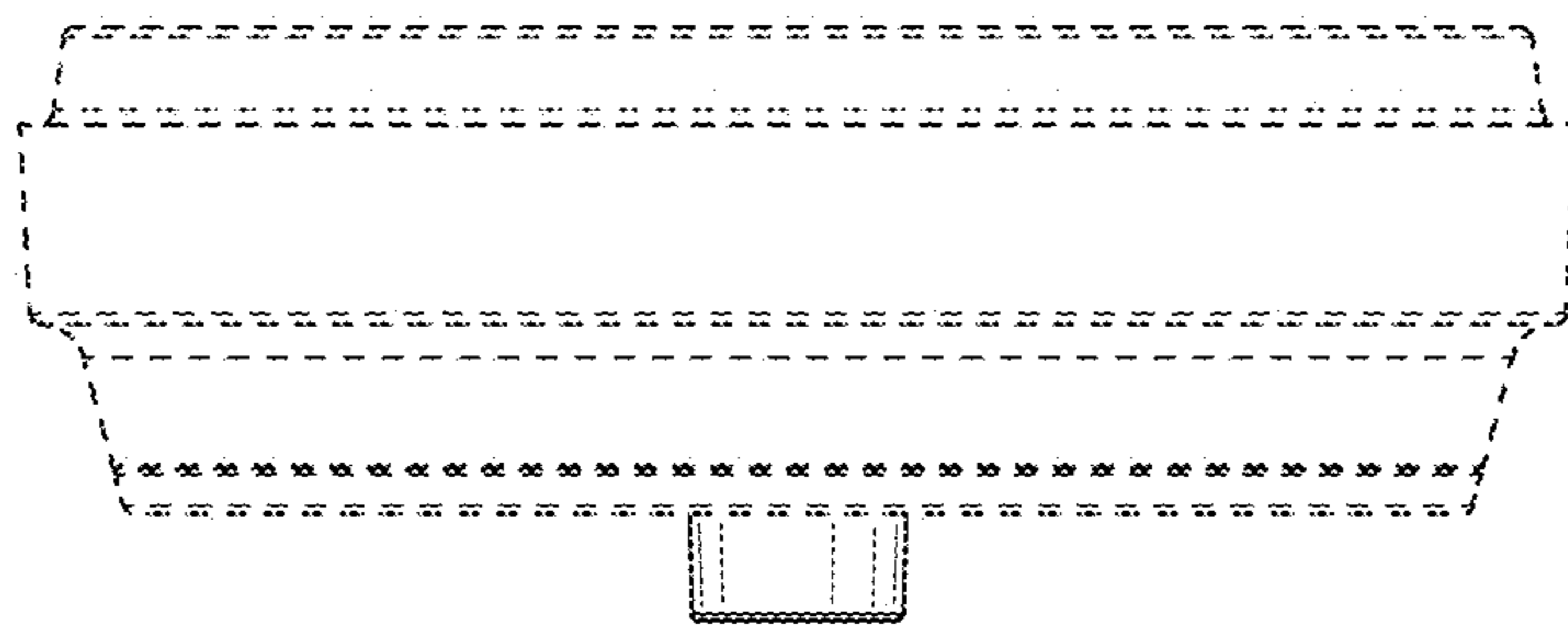


FIG. 6

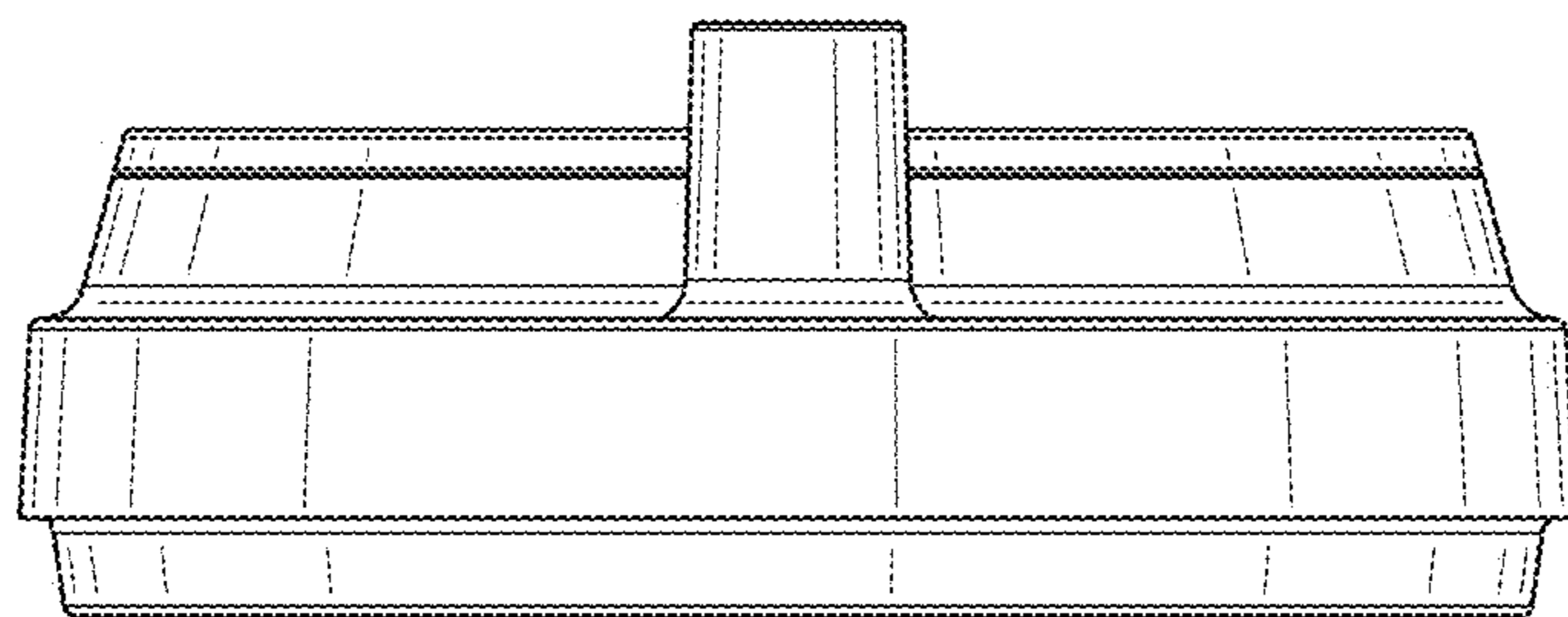


FIG. 7