



US00D887246S

(12) **United States Design Patent** (10) **Patent No.:** **US D887,246 S**
Chang (45) **Date of Patent:** **** Jun. 16, 2020**

(54) **HANDLE OF QUICK ROTATION HAND TOOL**

(71) Applicant: **Maan-Jyi Chang**, Taichung (TW)

(72) Inventor: **Maan-Jyi Chang**, Taichung (TW)

(**) Term: **15 Years**

(21) Appl. No.: **29/663,500**

(22) Filed: **Sep. 17, 2018**

(51) **LOC (12) Cl.** **08-05**

(52) **U.S. Cl.**
USPC **D8/107**

(58) **Field of Classification Search**
USPC D8/14, 83, 107, 303; D7/395; D24/133;
D32/52
CPC B25G 1/046; B25G 1/002; B25G 1/007;
B25G 3/38
See application file for complete search history.

(56) **References Cited**

U.S. PATENT DOCUMENTS

- 2,067,370 A * 1/1937 Woock B25B 13/06
81/121.1
- D320,922 S * 10/1991 Lurkis 74/551.9
- D322,022 S * 12/1991 Cunningham D8/303
- D398,935 S * 9/1998 Chevalier D19/198

- D426,747 S * 6/2000 Suero, Jr. D7/401.2
- D497,300 S * 10/2004 Chen D8/70
- D600,773 S * 9/2009 Hall D22/139
- D609,073 S * 2/2010 Lin D15/140
- D683,602 S * 6/2013 Jones D8/14
- D710,175 S * 8/2014 Moss D8/70
- D710,176 S * 8/2014 Santamarina D8/70
- 8,826,896 B1 * 9/2014 McPherson F41B 5/1426
124/90
- D774,855 S * 12/2016 Papafagos D8/14

* cited by examiner

Primary Examiner — Philip S Hyder

(74) *Attorney, Agent, or Firm* — Alan D. Kamrath; Karin L. Williams; Mayer & Williams PC

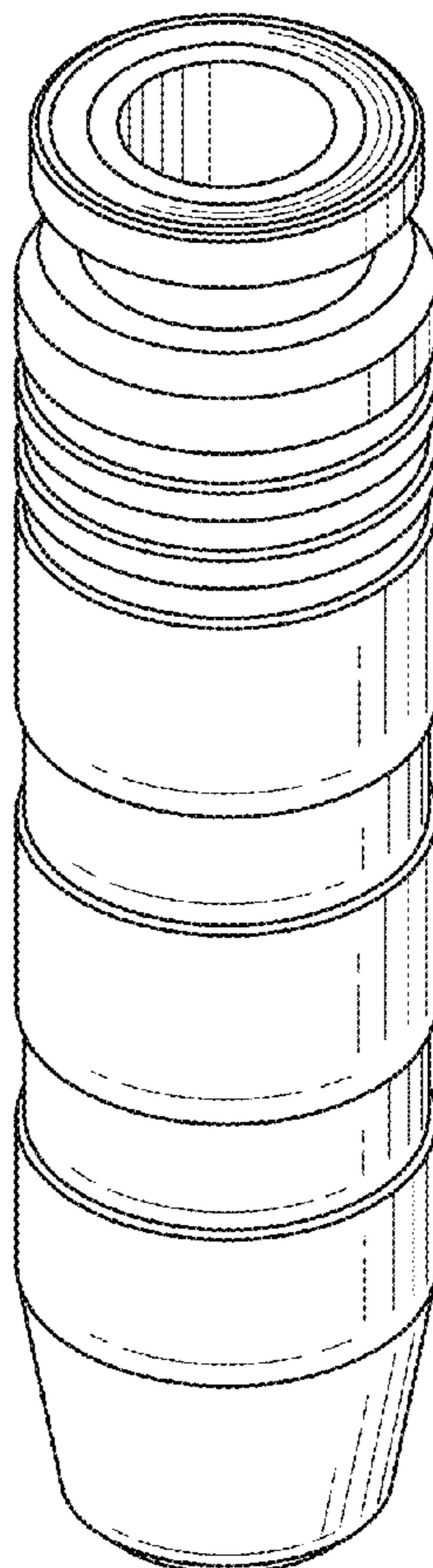
(57) **CLAIM**

The ornamental design for a handle of a quick rotation hand tool, as shown and described.

DESCRIPTION

FIG. 1 is a perspective view of a handle of a quick rotation hand tool showing my design;
FIG. 2 is a front elevational view thereof;
FIG. 3 is a rear elevational view thereof;
FIG. 4 is a left side elevational view thereof;
FIG. 5 is a right side elevational view thereof;
FIG. 6 is a top plan view thereof; and,
FIG. 7 is a bottom plan view thereof.

1 Claim, 6 Drawing Sheets



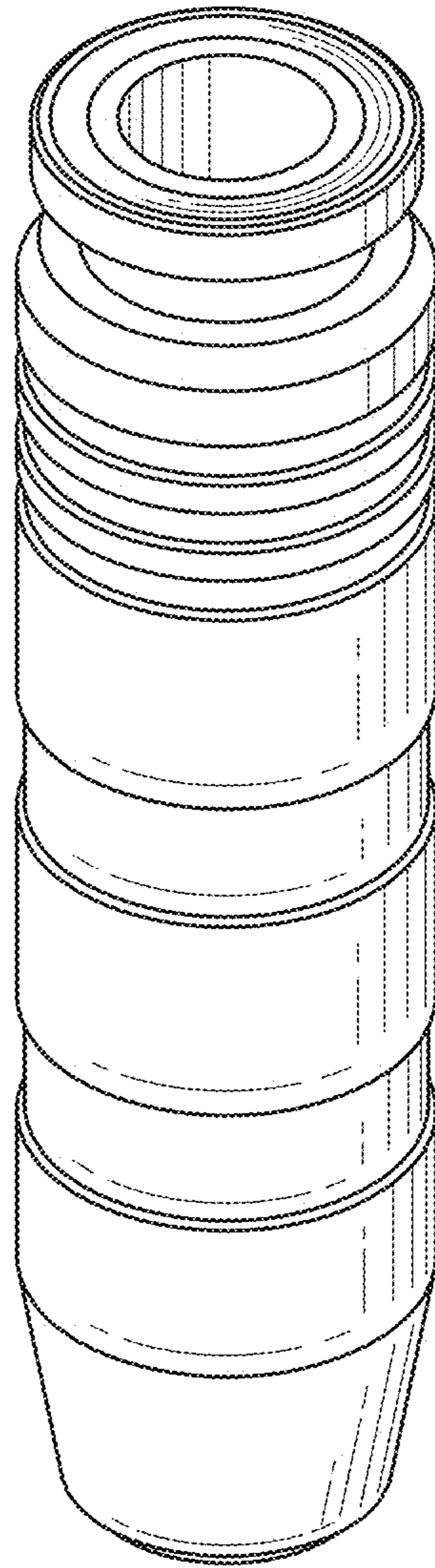


FIG. 1

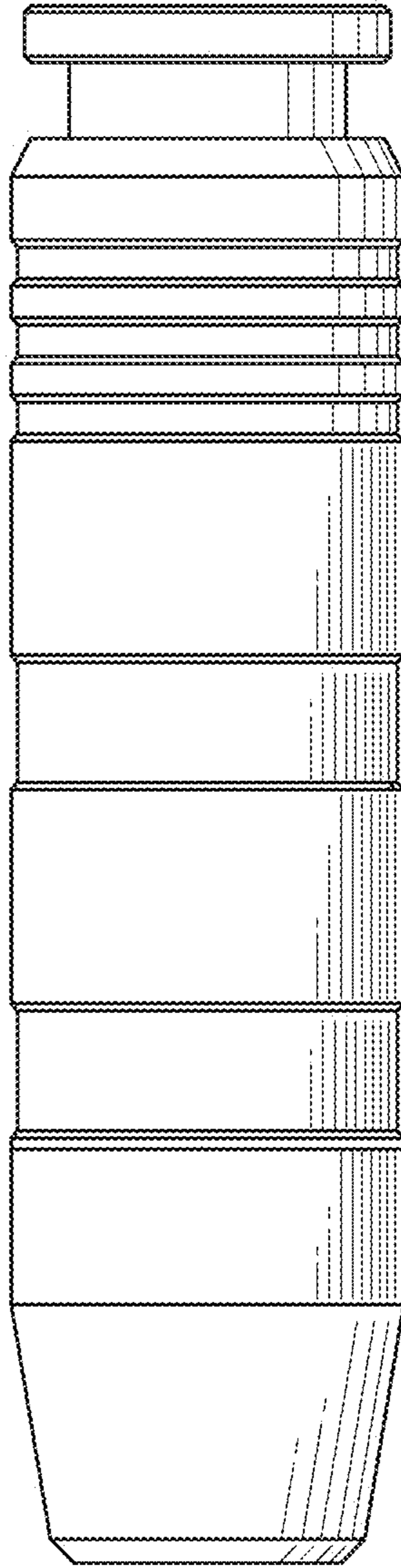


FIG. 2

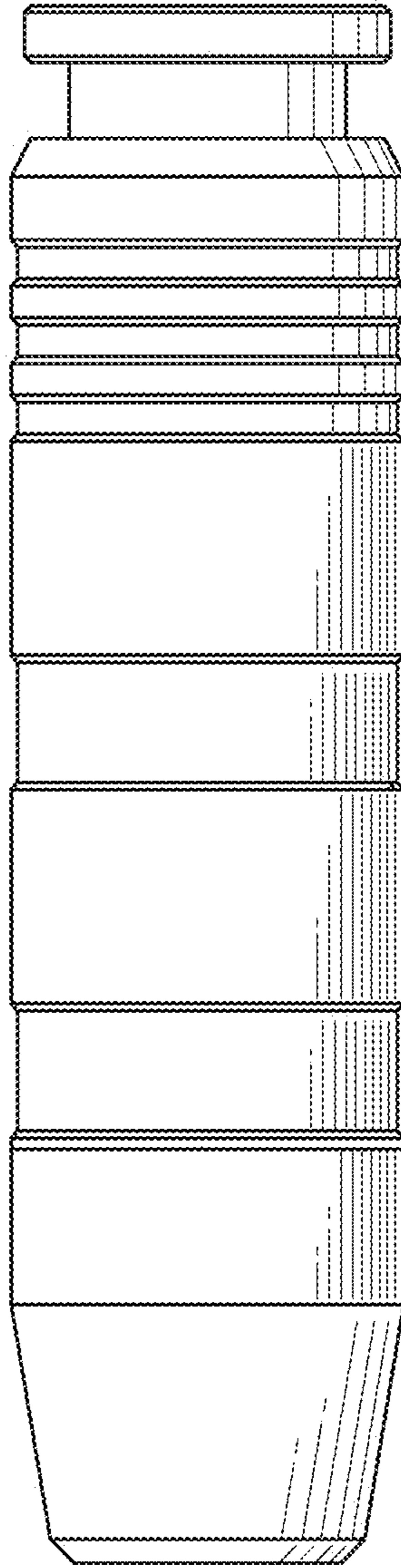


FIG. 3

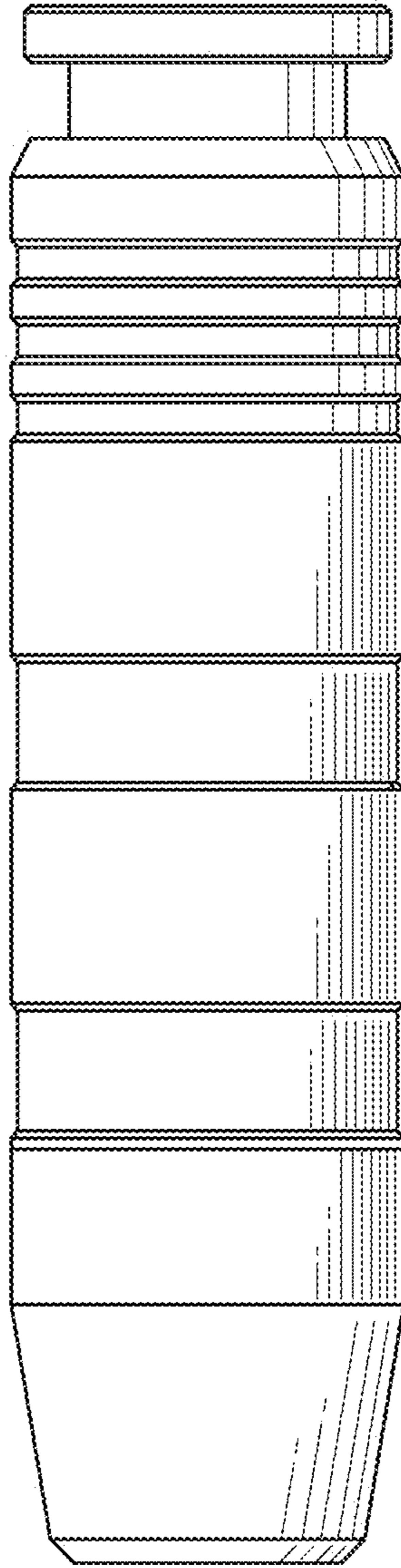


FIG. 4

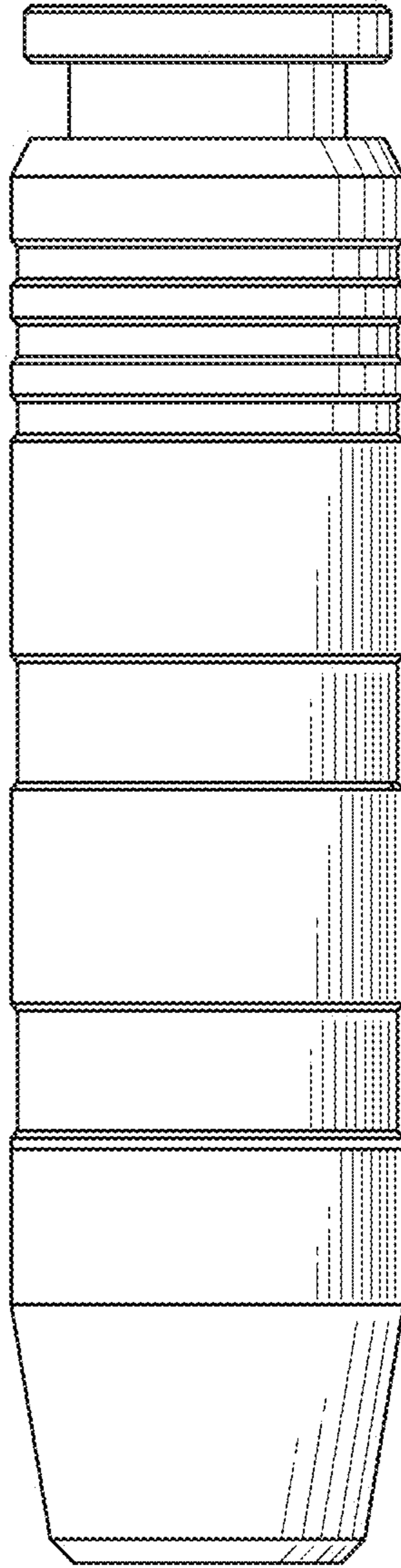


FIG. 5

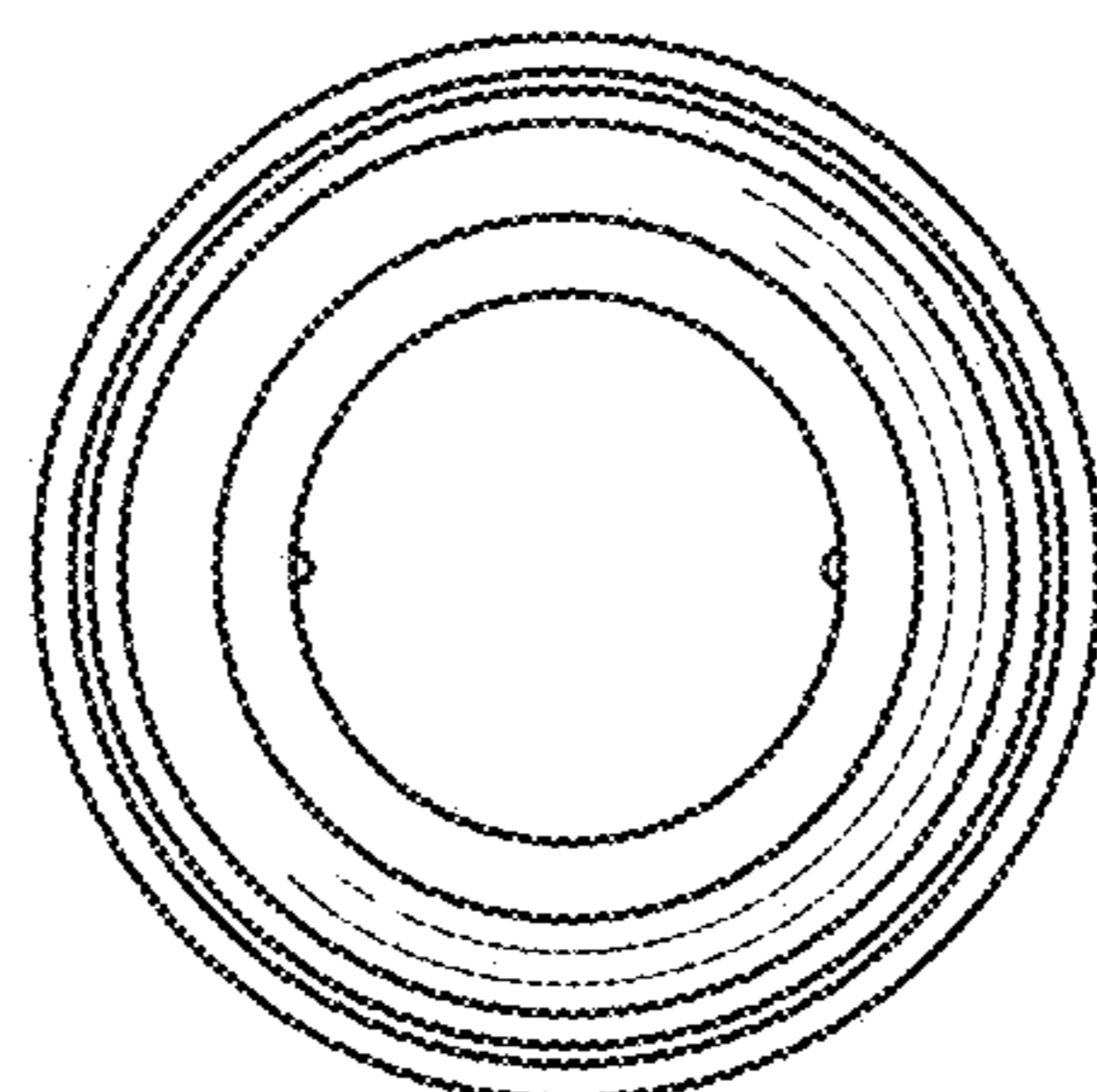


FIG. 6

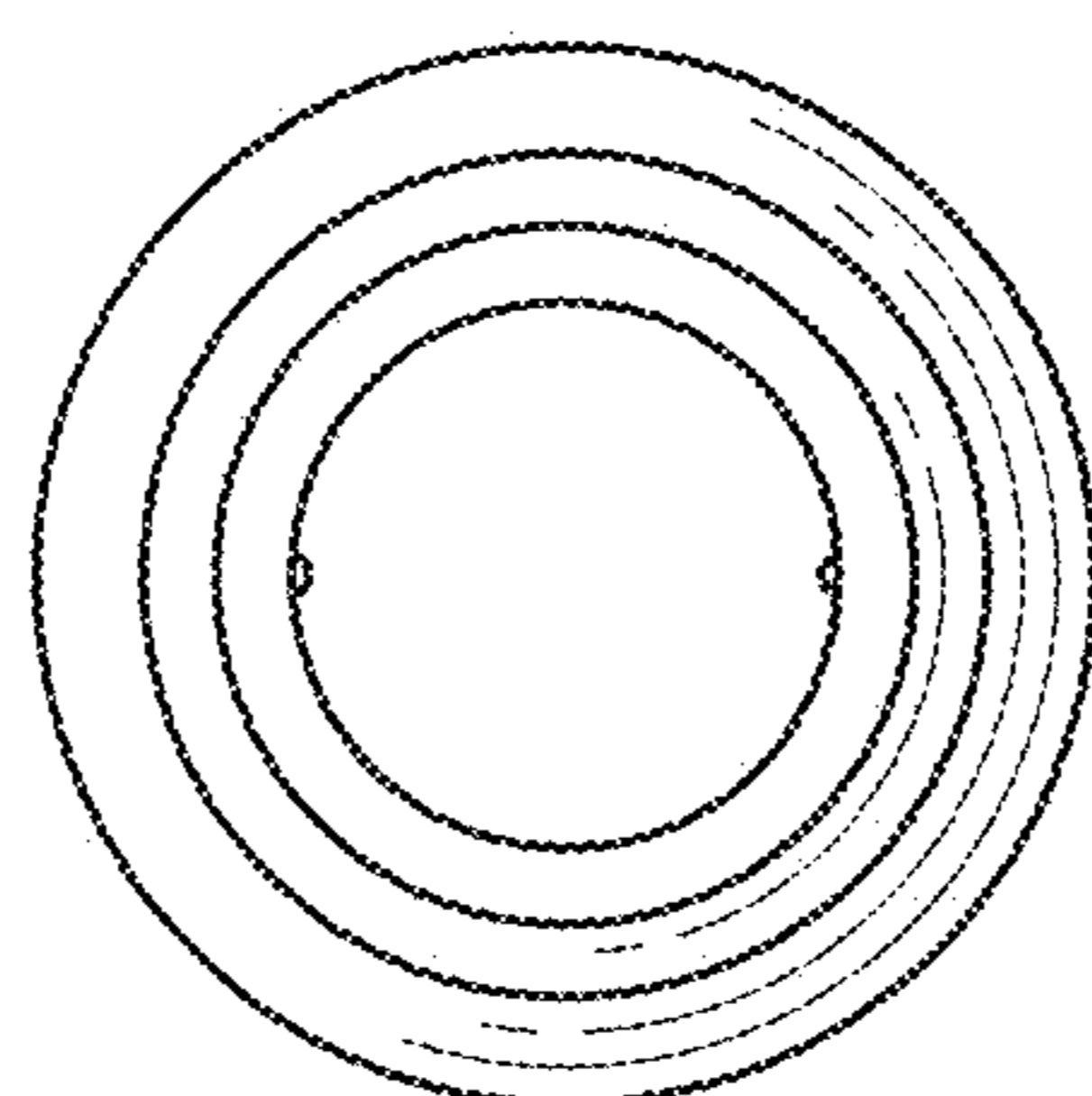


FIG. 7