



US00D887244S

(12) **United States Design Patent**
Bar

(10) **Patent No.:** **US D887,244 S**
(45) **Date of Patent:** **** Jun. 16, 2020**

(54) **MULTI-PURPOSE TOOL**

(71) Applicant: **C.B. Innovation Ltd.**, Nofit (IL)

(72) Inventor: **Yaniv Bar**, Nofit (IL)

(73) Assignee: **C. B. INNOVATION LTD.**, Maayan Tzvi (IL)

(**) Term: **15 Years**

(21) Appl. No.: **29/605,336**

(22) Filed: **May 25, 2017**

(30) **Foreign Application Priority Data**

Nov. 28, 2016 (IL) 59619

(51) **LOC (12) Cl.** **08-05**

(52) **U.S. Cl.**
USPC **D8/105**

(58) **Field of Classification Search**
USPC D8/105-107, 11, 26, 52, 54, 55, 75, 76,
D8/88, 89, 95, 99, 17, 21, 25, 29, 82, 86,
(Continued)

(56) **References Cited**

U.S. PATENT DOCUMENTS

2,691,287 A * 10/1954 Mosch F23Q 2/32
431/139
4,918,820 A * 4/1990 Korb B23D 51/01
30/155

(Continued)

Primary Examiner — Jennifer Rivard

Assistant Examiner — Alison M Ofstun

(74) *Attorney, Agent, or Firm* — Eitan Mehulal Sadot

(57) **CLAIM**

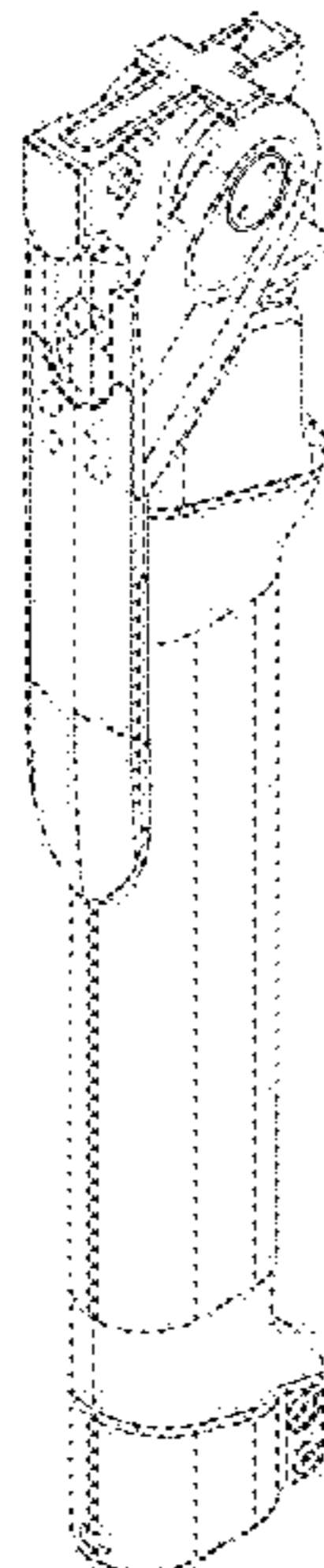
The ornamental design for a multi-purpose tool, as shown and described.

DESCRIPTION

FIG. 1 is a right side view of a multi-purpose tool showing my new design, shown in a closed position of use;

FIG. 2 is a left side view thereof;
FIG. 3 is a front view thereof;
FIG. 4 is a rear view thereof;
FIG. 5 is a top view thereof;
FIG. 6 is a bottom view thereof;
FIG. 7 is a right, top perspective view thereof;
FIG. 8 is a right side view of the multi-purpose tool showing the shovel in a partially open state;
FIG. 9 is a left view thereof;
FIG. 10 is a top view thereof;
FIG. 11 is a bottom view thereof;
FIG. 12 is a right, top perspective view thereof;
FIG. 13 is a right, top perspective view thereof;
FIG. 14 is a right, bottom perspective view thereof;
FIG. 15 is a right side view of the multi-purpose tool showing the shovel in a fully open state;
FIG. 16 is a left side view thereof;
FIG. 17 is a front side view thereof;
FIG. 18 is a rear side view thereof;
FIG. 19 is a top side view thereof;
FIG. 20 is a bottom side view thereof;
FIG. 21 is a right, top perspective view thereof;
FIG. 22 is a left, bottom perspective view thereof;
FIG. 23 is a right side view of the multi-purpose tool showing the axe in open state;
FIG. 24 is a left side view thereof;
FIG. 25 is a top view thereof;
FIG. 26 is a bottom view thereof;
FIG. 27 is a right, top perspective view thereof;
FIG. 28 is a right side view of a saw unit of the multi-purpose tool, shown separately to show aspects of the design that are not visible when combined;
FIG. 29 is a left side view thereof;
FIG. 30 is a front view thereof;
FIG. 31 is a rear view thereof;
FIG. 32 is a top view thereof;
FIG. 33 is a bottom view thereof;
FIG. 34 is a right, top, front perspective view thereof;
FIG. 35 is a right, bottom, rear perspective view thereof;
FIG. 36 is a left, top, front perspective view thereof;
FIG. 37 is a left, bottom, front perspective view thereof; and,
FIG. 38 is a left, top, rear perspective view thereof.

1 Claim, 34 Drawing Sheets



(58) **Field of Classification Search**

USPC D8/87, 102-104, 61, 81; D20/11, 22, 40,
D20/23, 32; D22/118; D15/133;
D32/49; D9/632; D3/211
CPC B25F 1/04; B25F 1/00; B25F 1/006; B25F
1/02; B25B 7/22; B25B 13/00; B25B
9/00; B25B 27/00; B25B 13/46; B25B
23/16; B25B 23/0033; B26D 1/00; B25G
1/08; B25C 11/00; A46B 15/00; A62B
3/003; B26B 23/00

See application file for complete search history.

(56) **References Cited**

U.S. PATENT DOCUMENTS

5,169,305 A * 12/1992 Kee F23Q 2/32
431/253
5,297,306 A * 3/1994 Shandel B25G 3/26
7/114
5,438,757 A * 8/1995 Weschenfelder B26B 5/005
30/139
5,829,965 A * 11/1998 Rubalcava F23Q 2/32
431/253
6,142,769 A * 11/2000 Walker B25F 1/04
362/119
7,010,822 B1 * 3/2006 Lin B25F 1/006
7/143
D528,245 S * 9/2006 Smith D27/142
8,281,437 B2 * 10/2012 Hunkele B26B 11/001
30/155
9,919,435 B1 * 3/2018 Enguita B25F 1/006
D817,141 S * 5/2018 Walters D8/95
10,071,469 B2 * 9/2018 Gallegos B25G 1/085
10,081,112 B2 * 9/2018 Langenwalter B26B 11/00
2018/0117753 A1 * 5/2018 Bar B23D 51/01

* cited by examiner

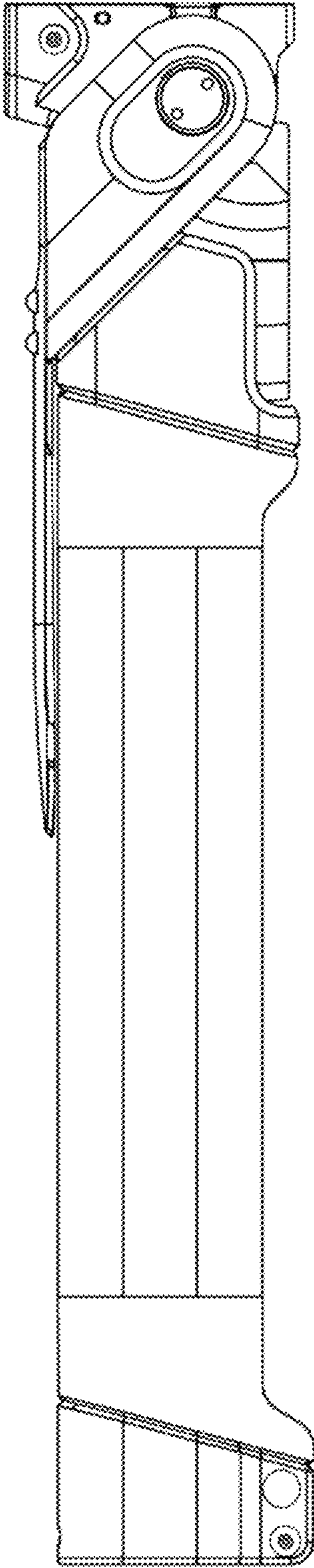


FIG. 1

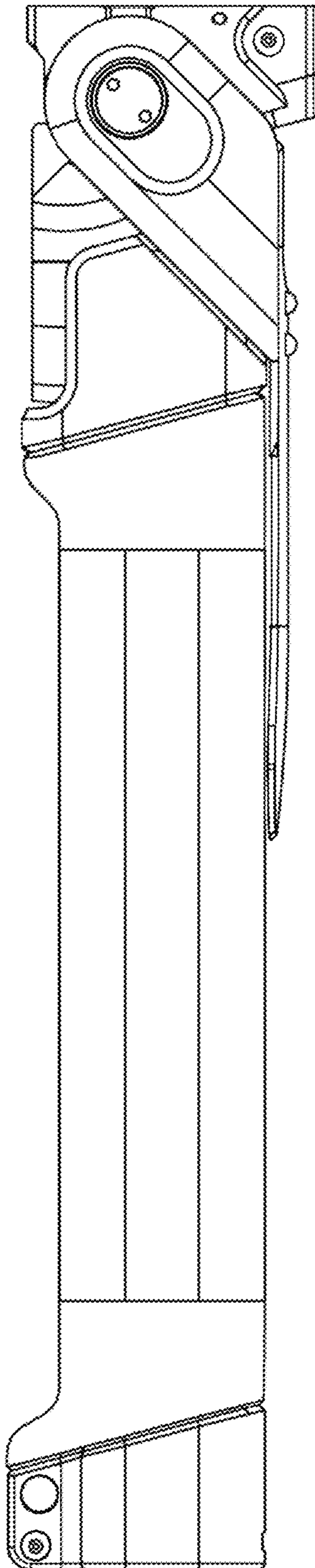


FIG. 2

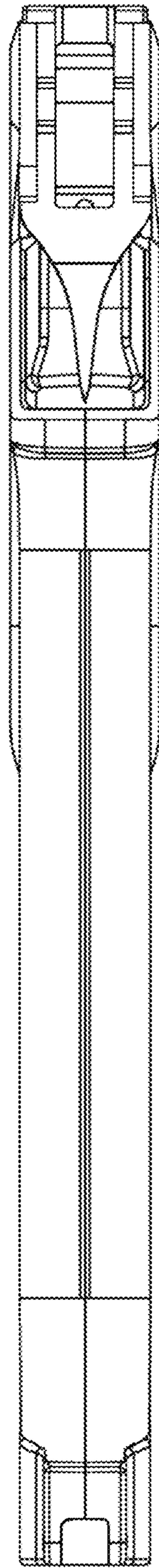


FIG. 3

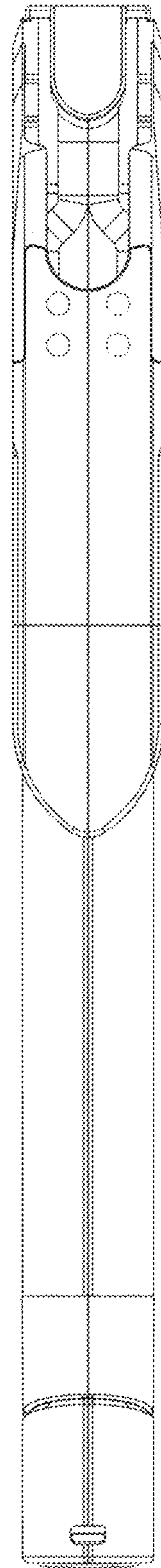


FIG. 4

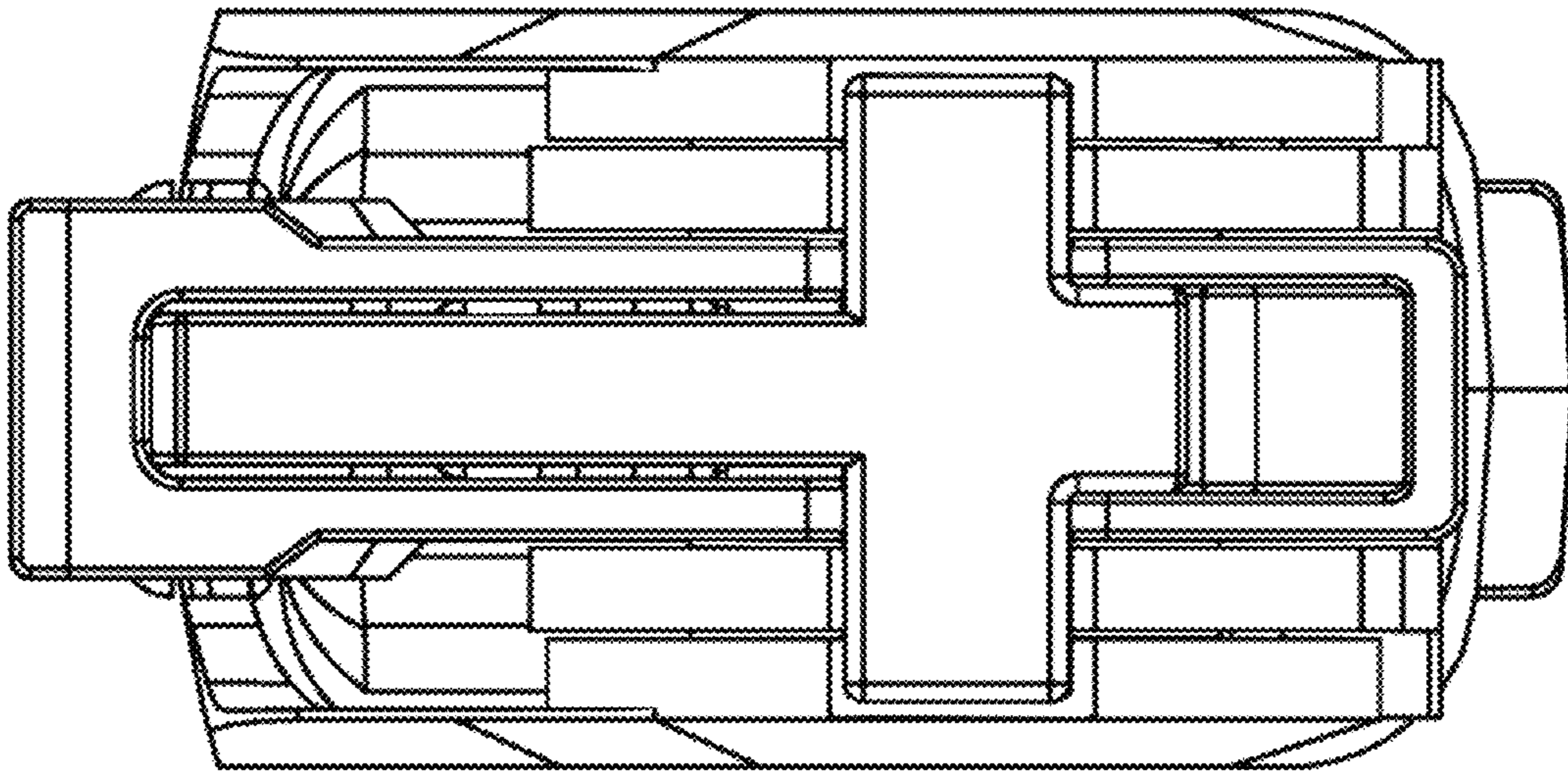


FIG. 5

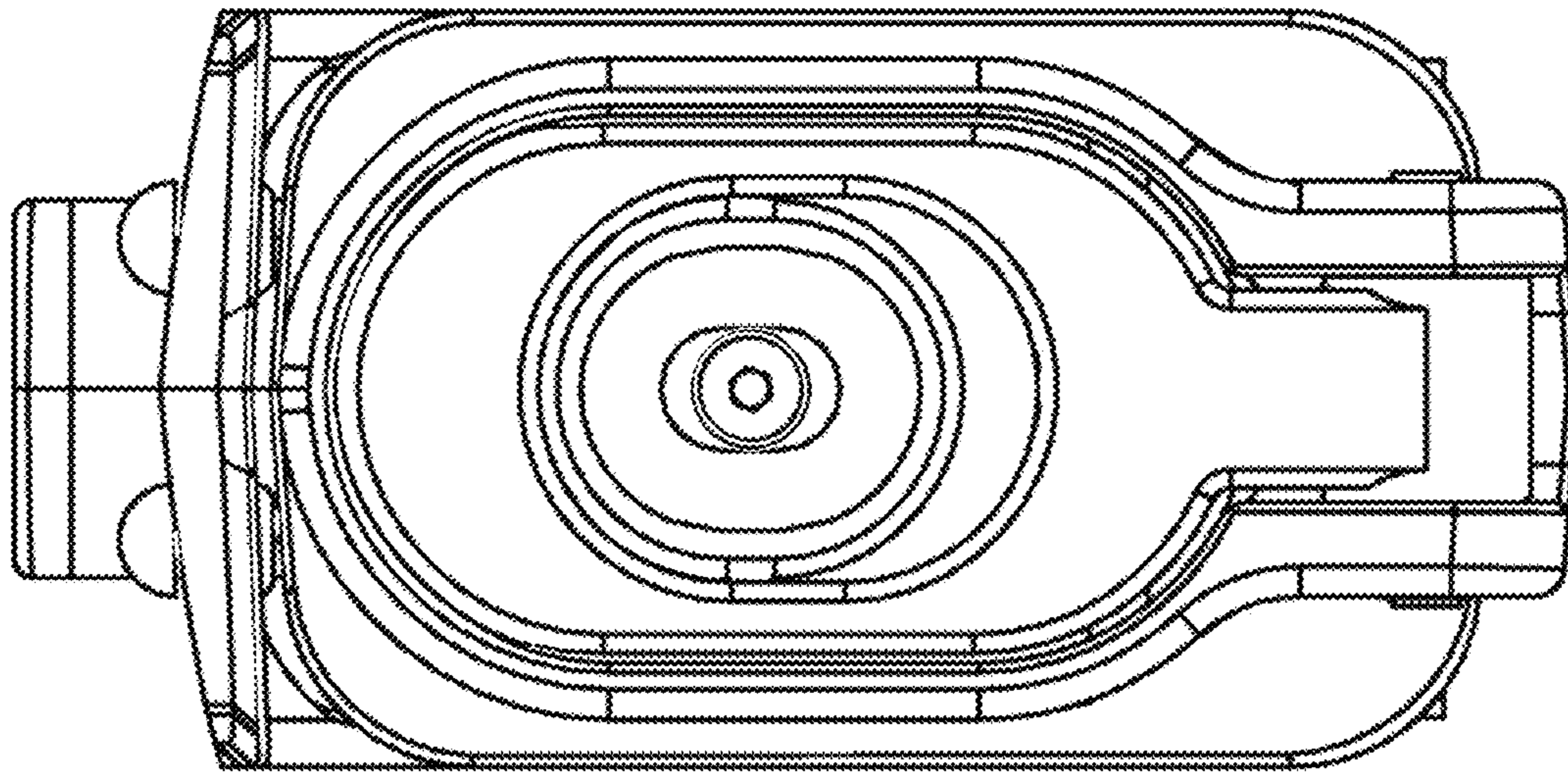


FIG. 6

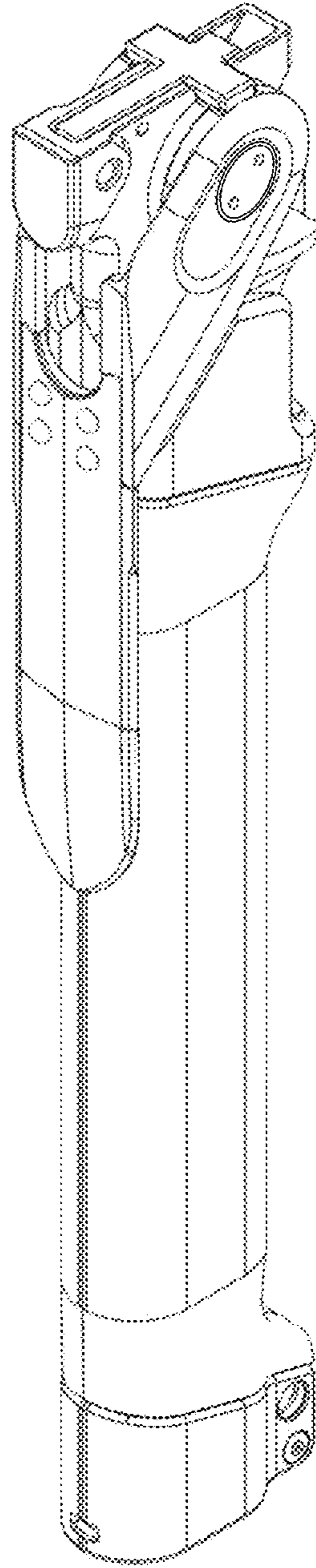


FIG. 7

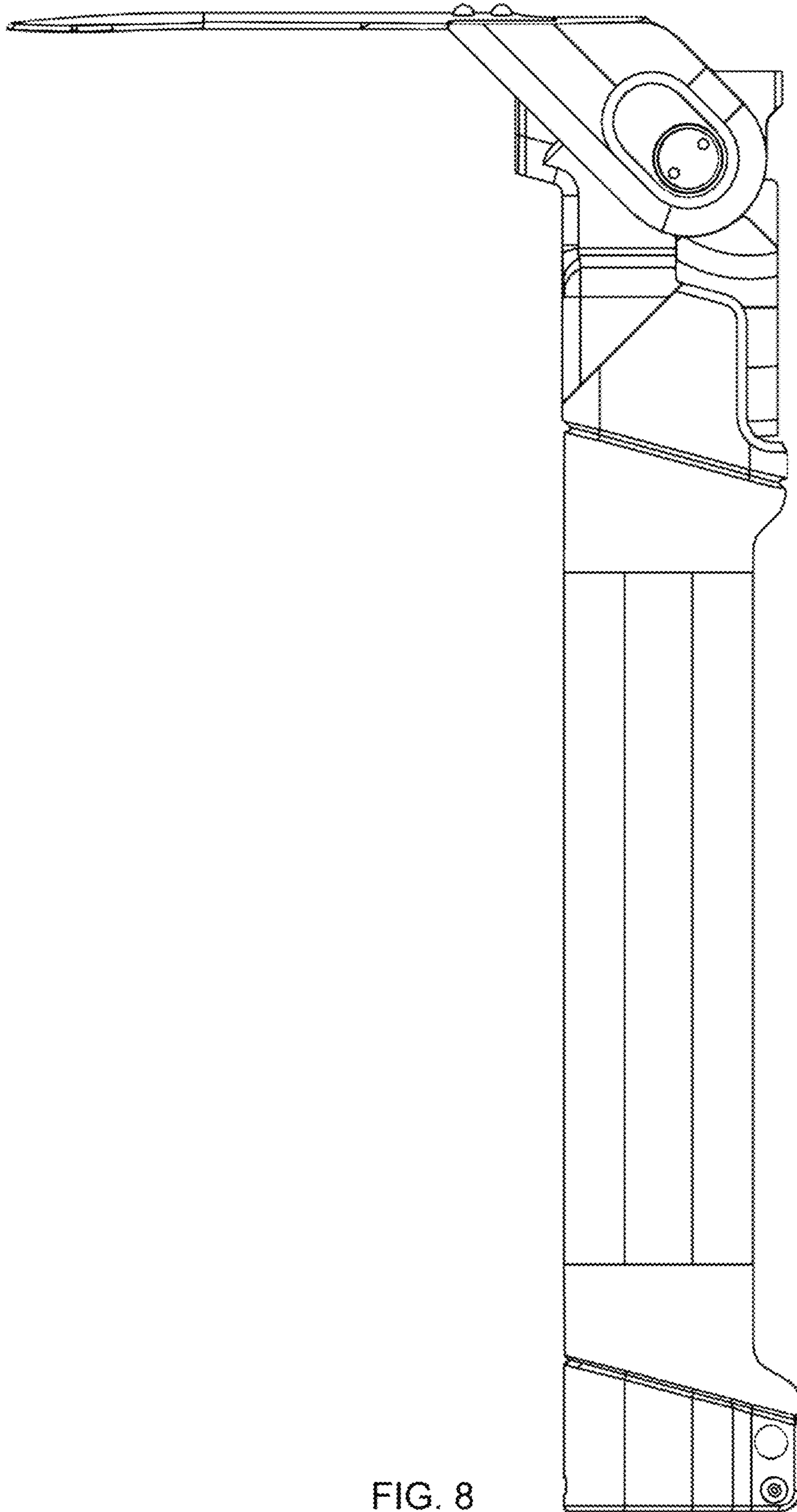


FIG. 8

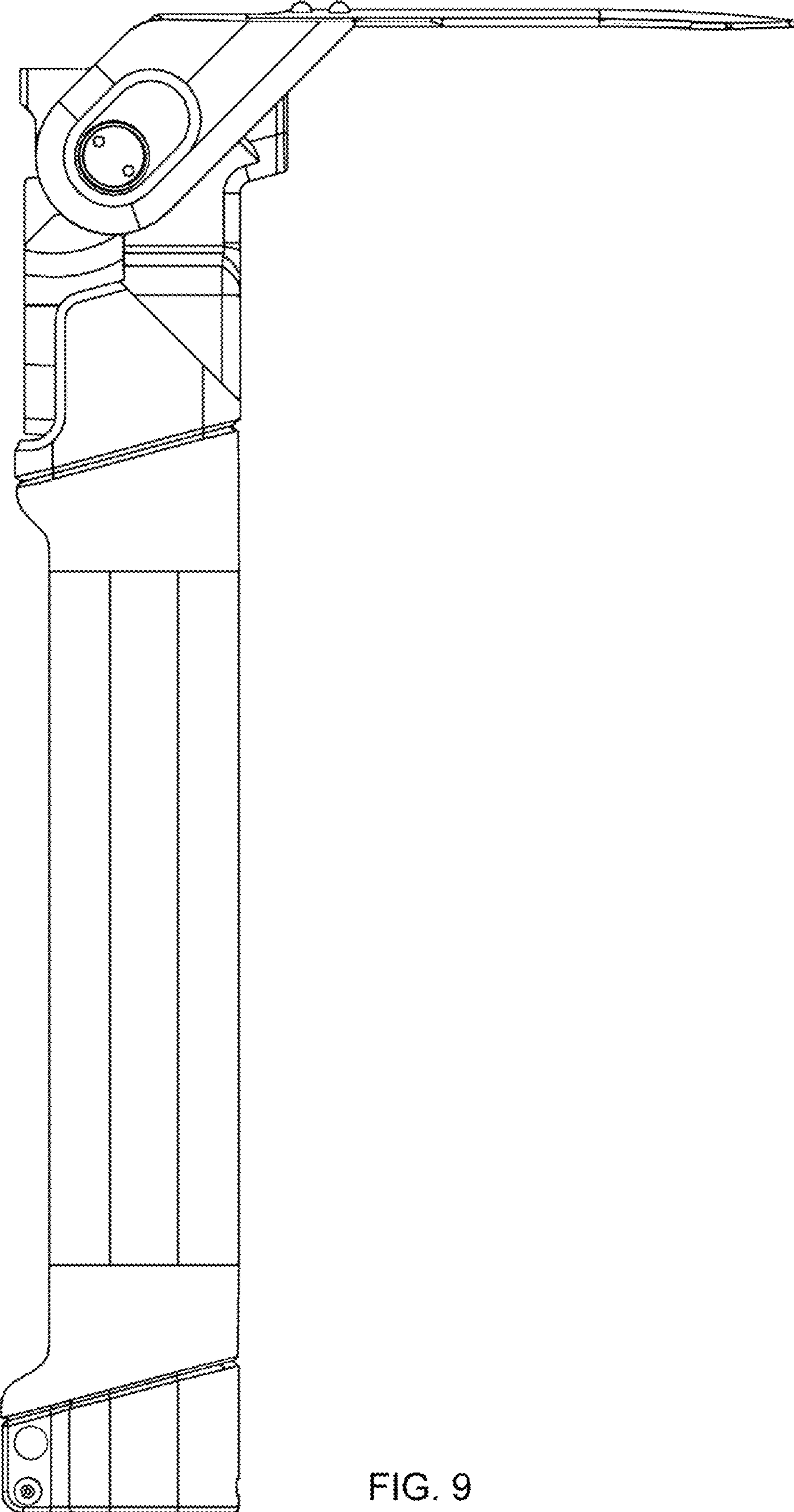


FIG. 9

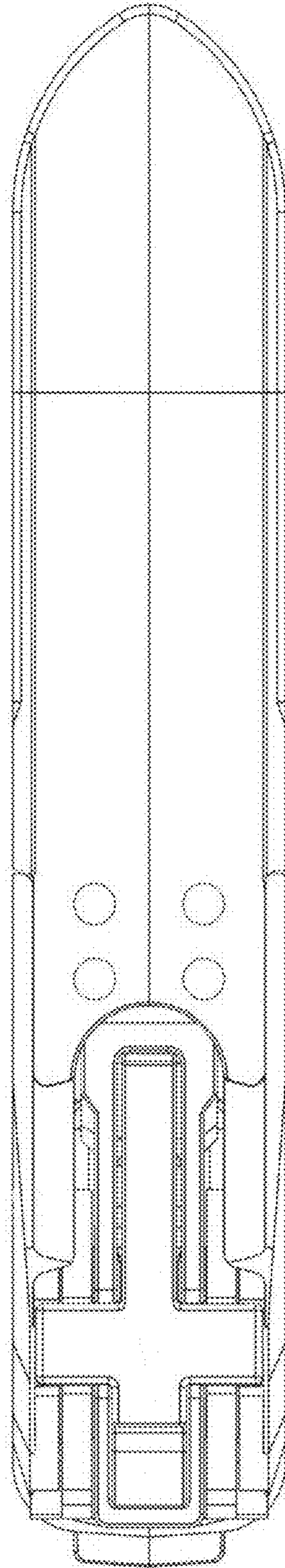


FIG. 10

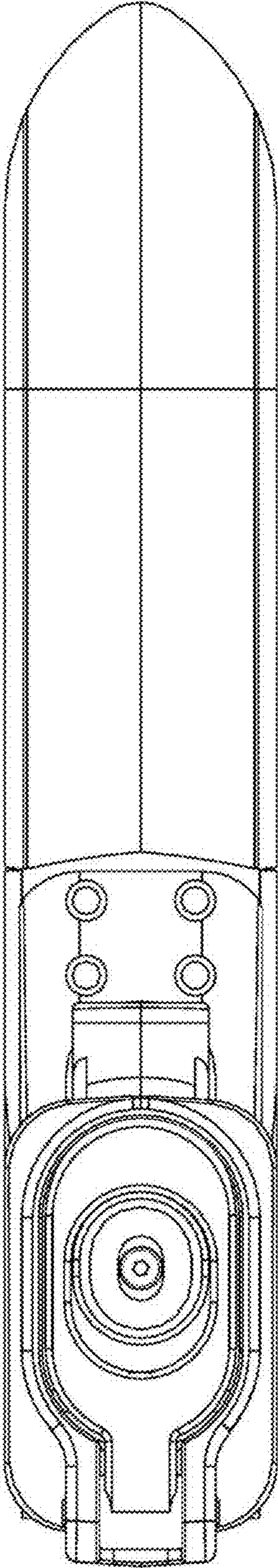


FIG. 11

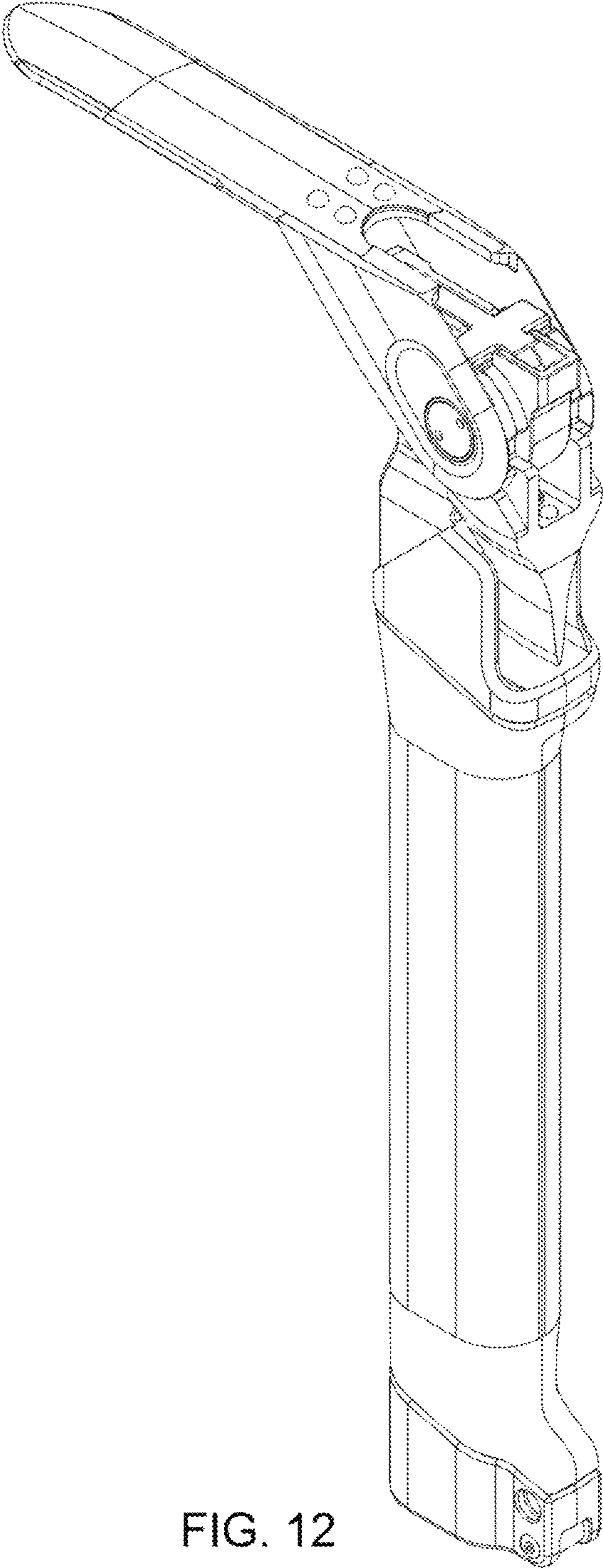


FIG. 12

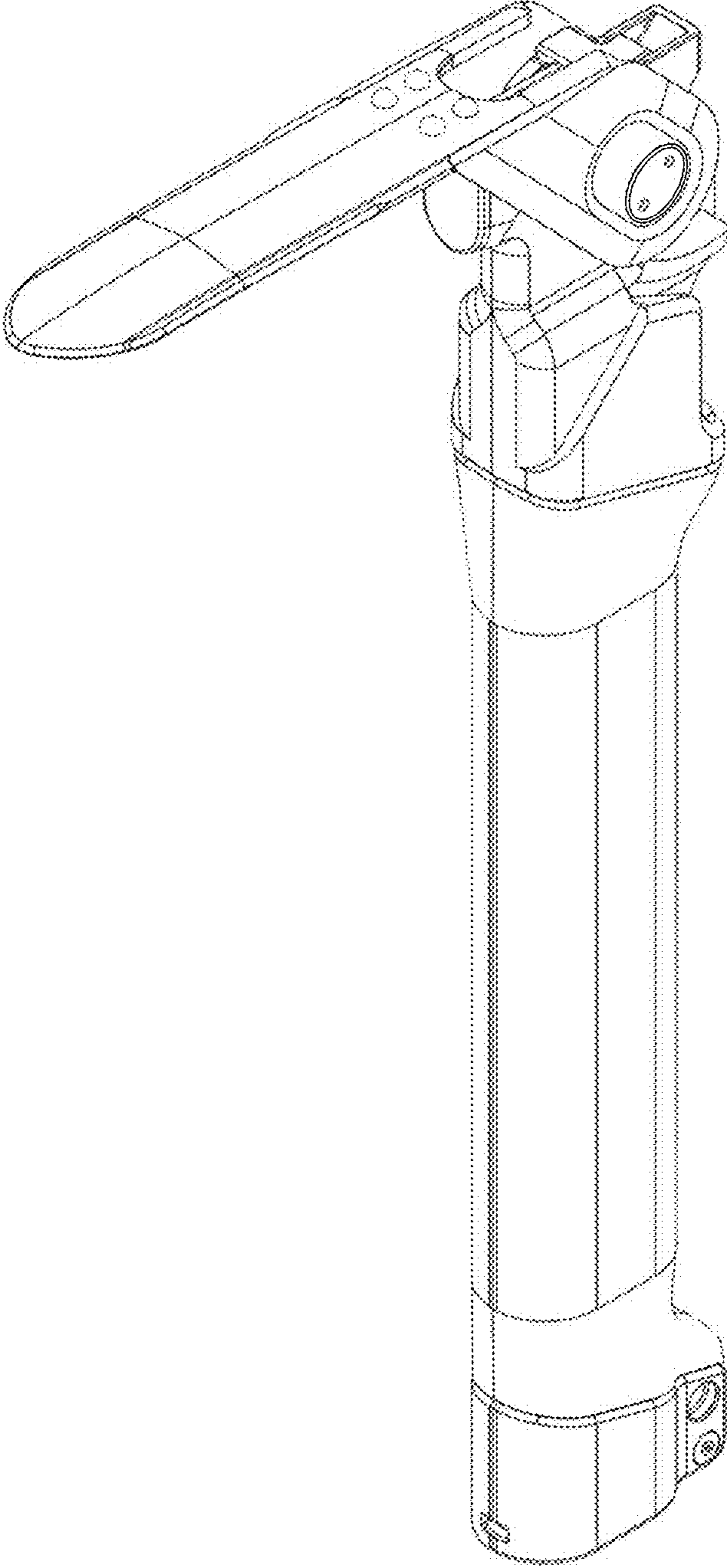


FIG. 13

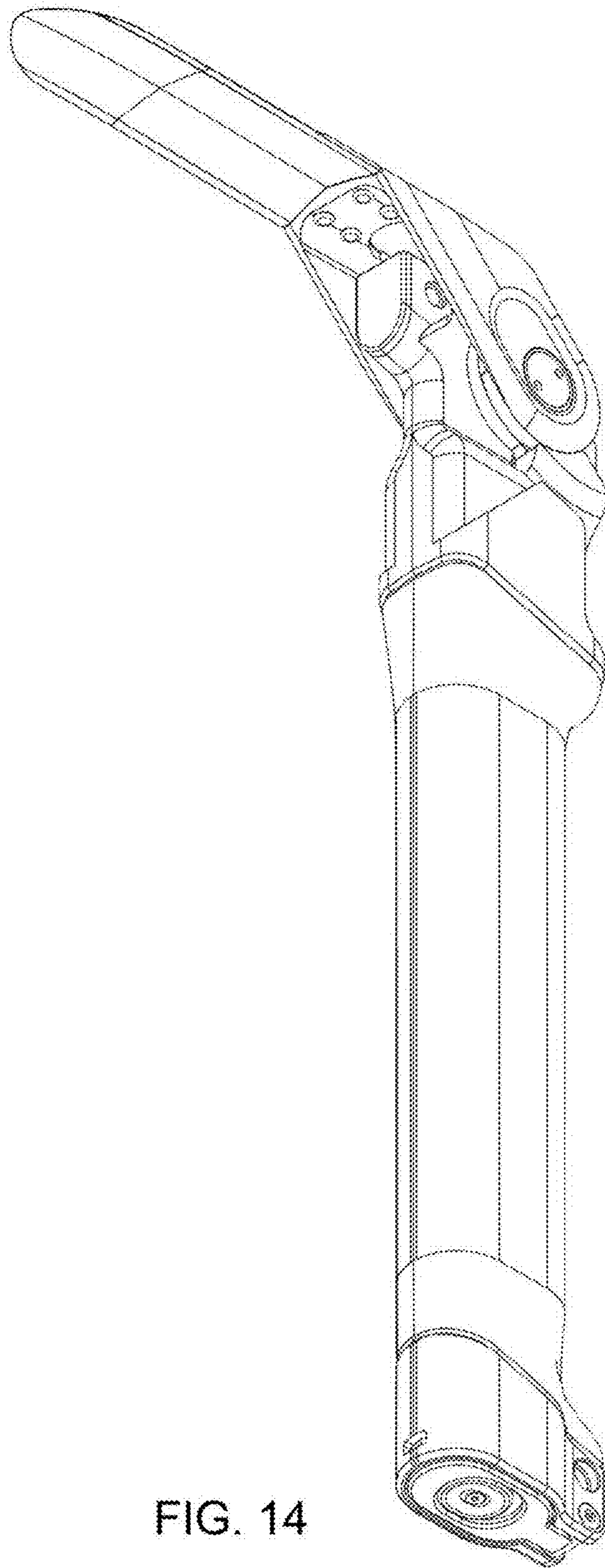


FIG. 14

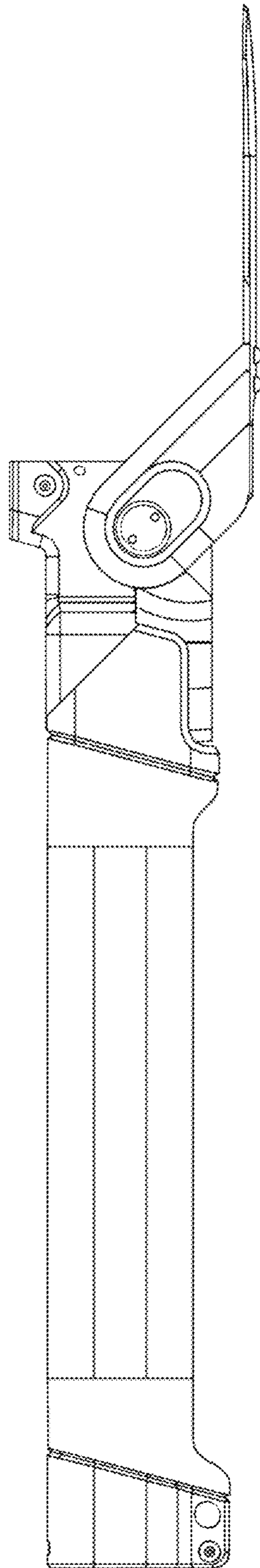


FIG. 15

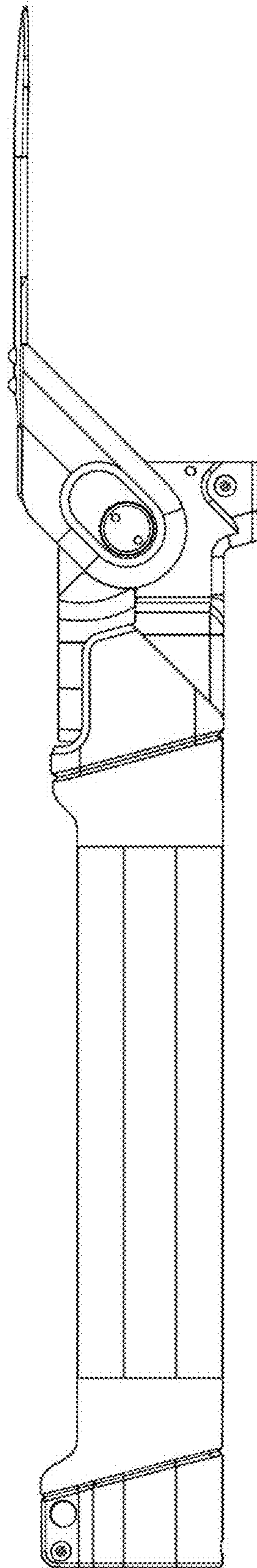


FIG. 16

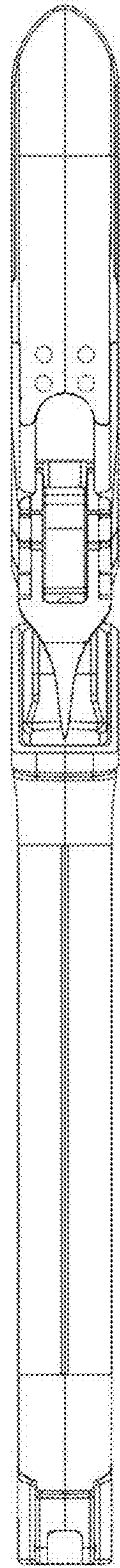


FIG. 17

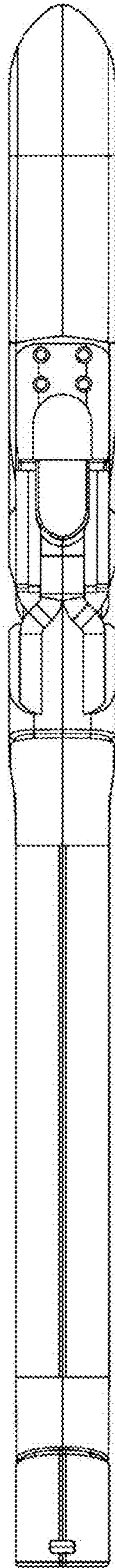


FIG. 18

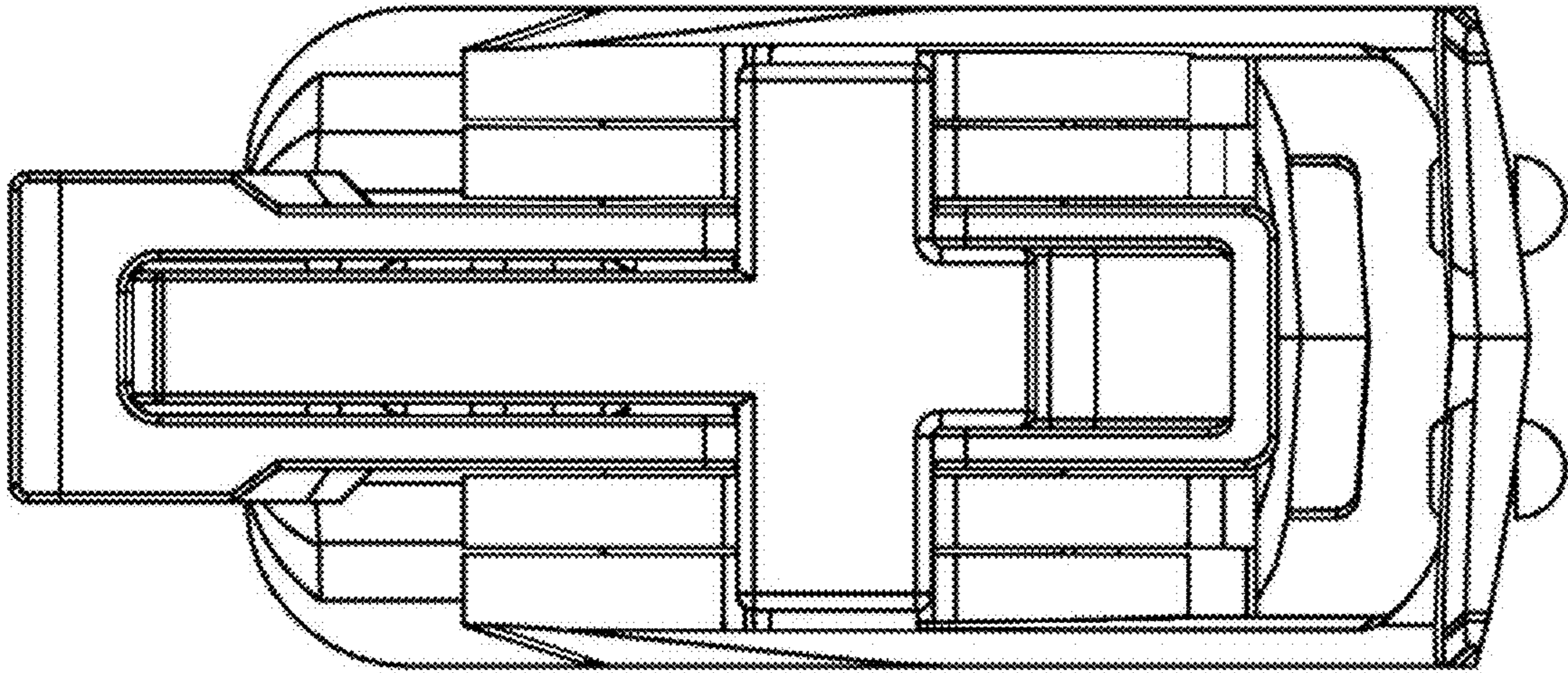


FIG. 19

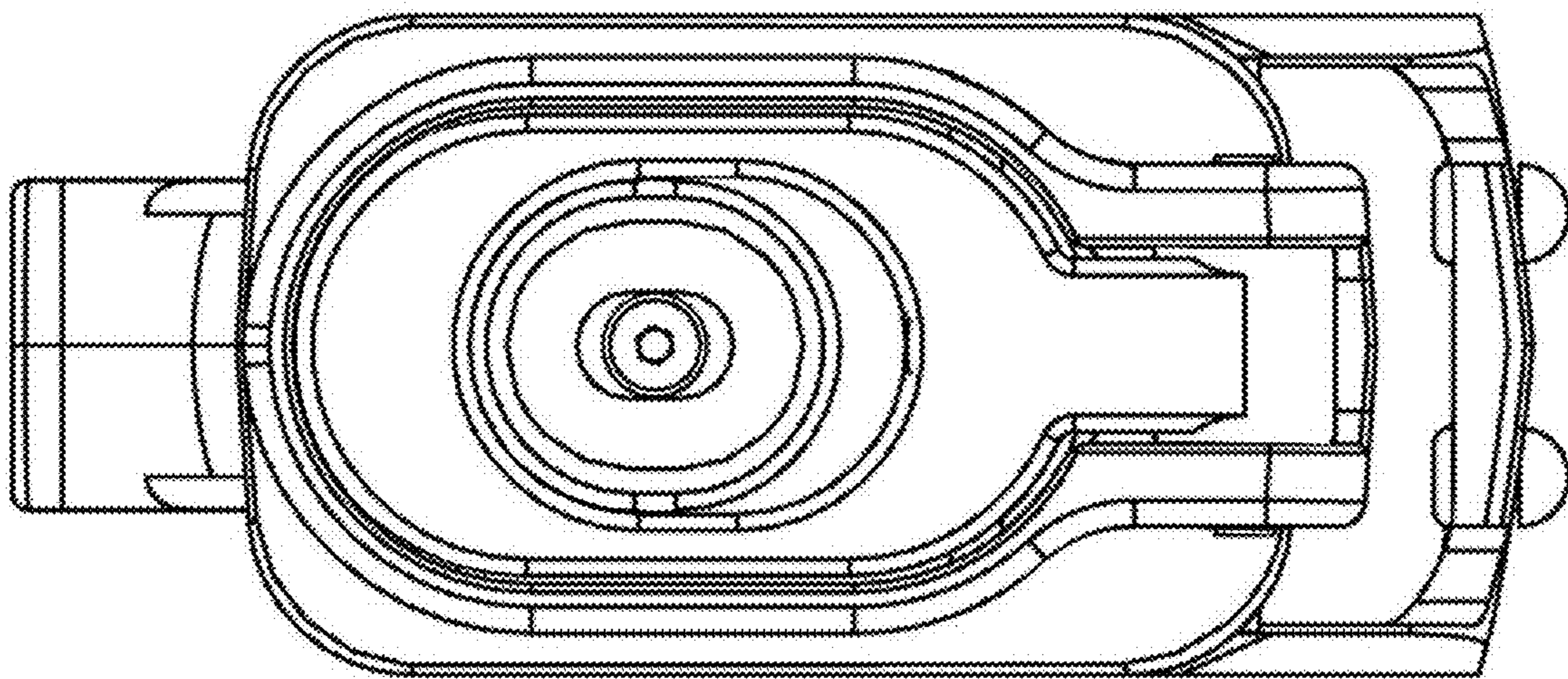


FIG. 20

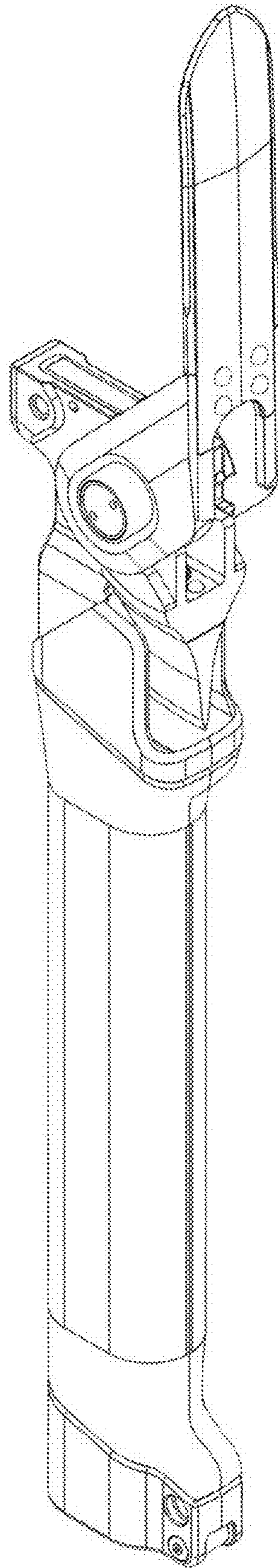


FIG. 21

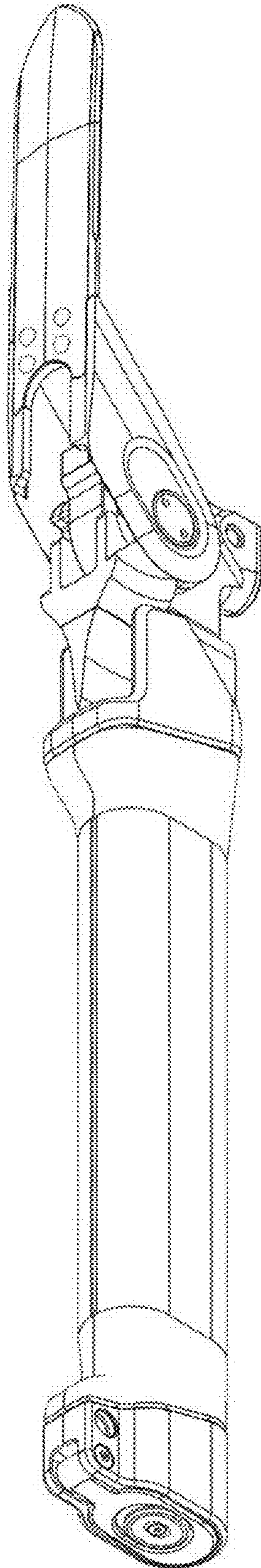


FIG. 22

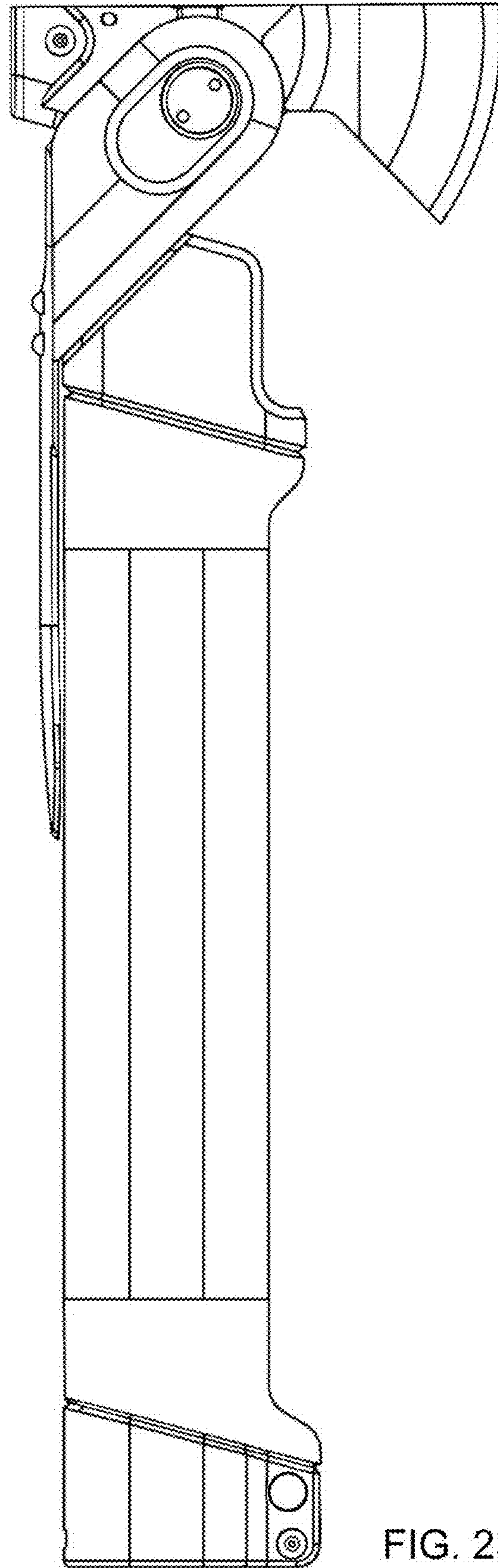


FIG. 23

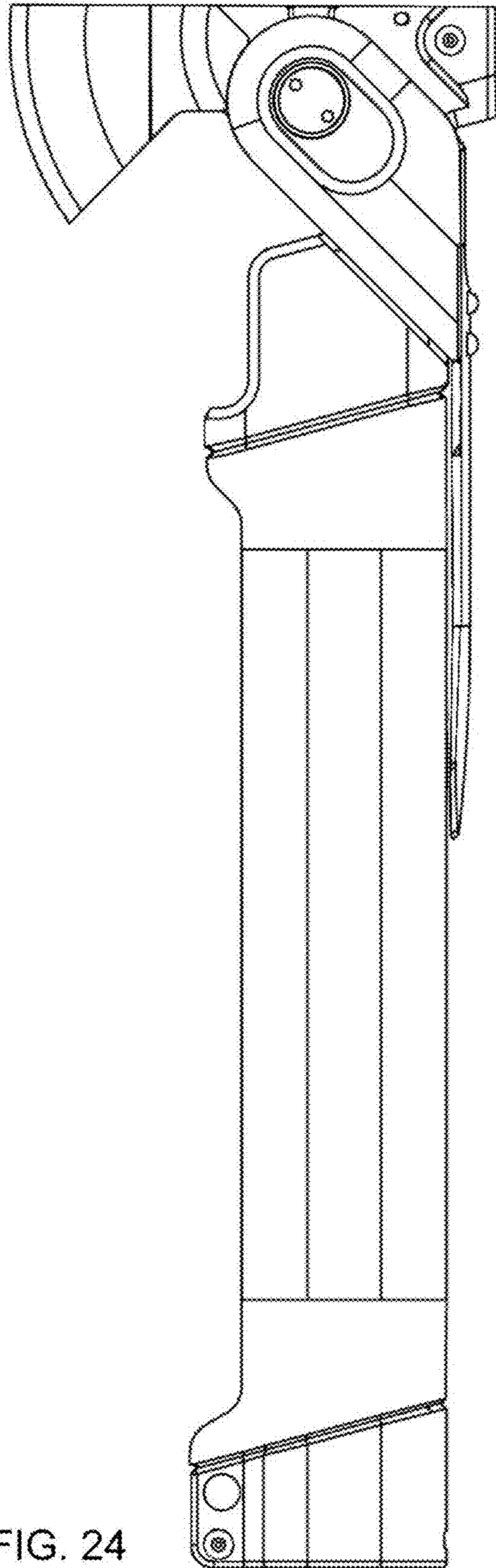


FIG. 24

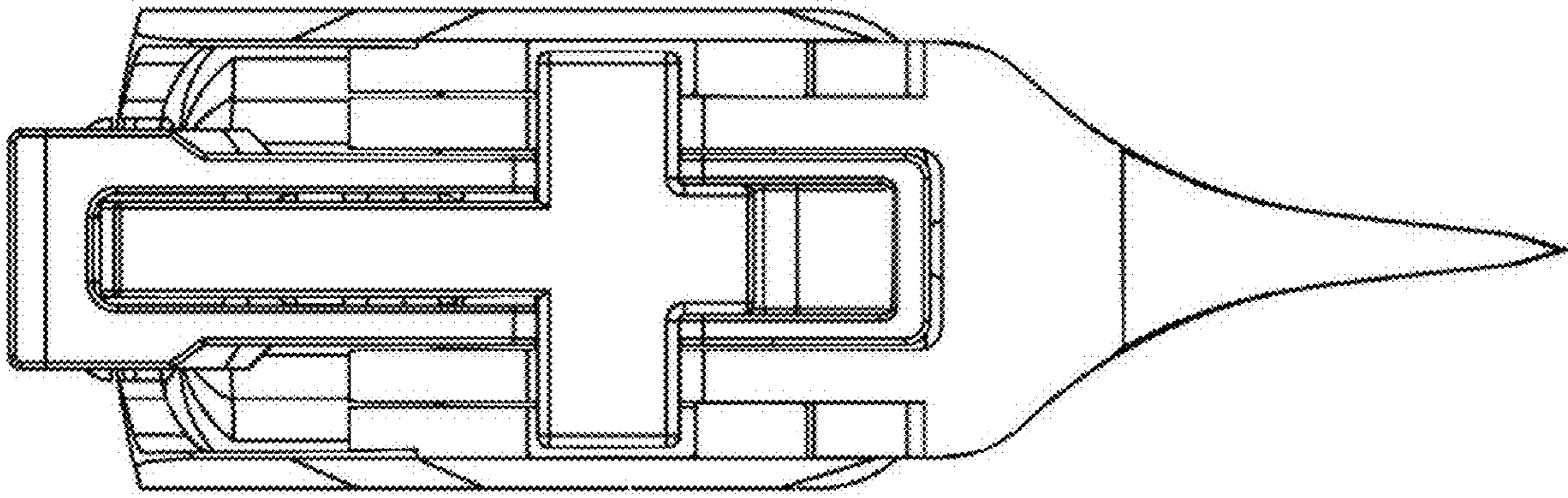


FIG. 25

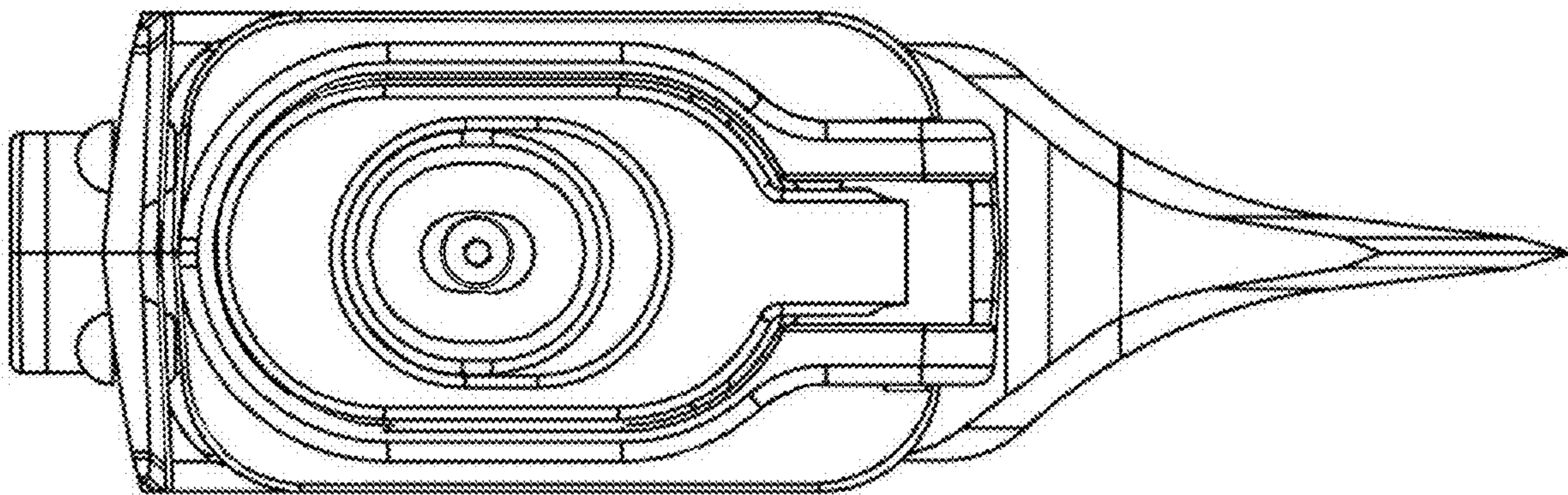


FIG. 26

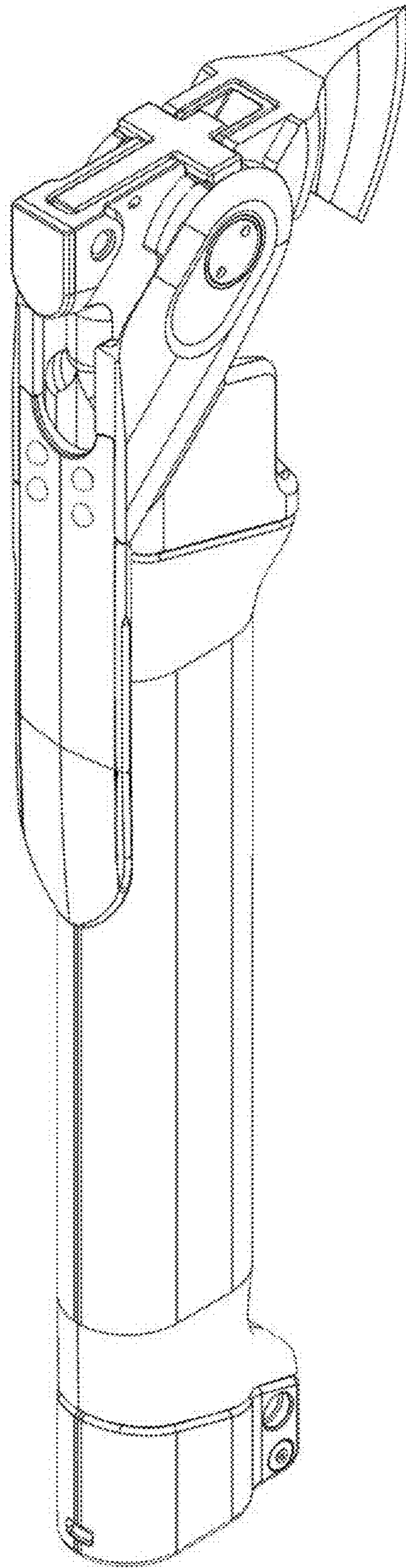


FIG. 27

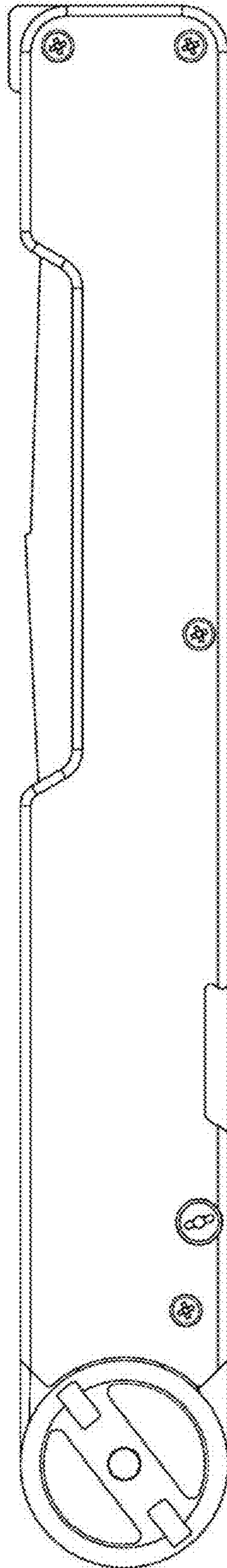


FIG. 28

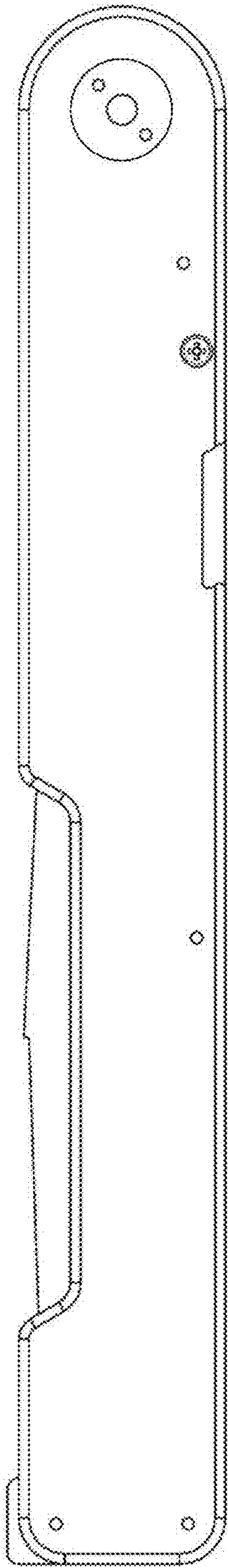


FIG. 29

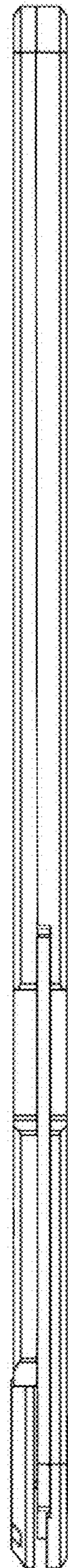


FIG. 30

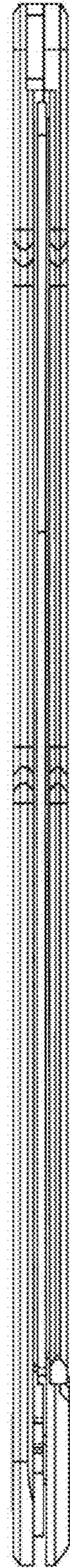


FIG. 31

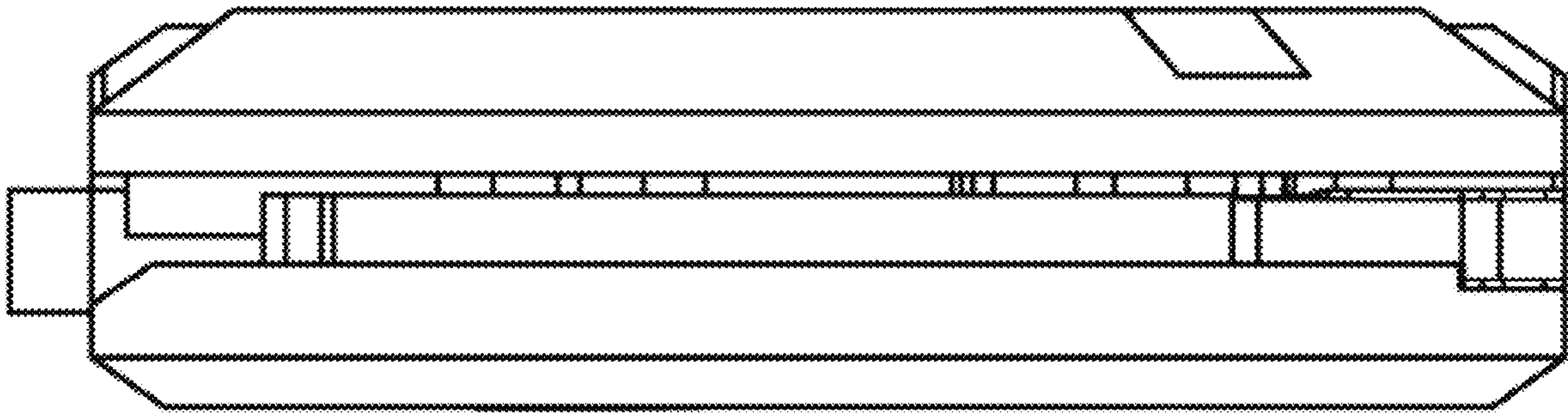


FIG. 32

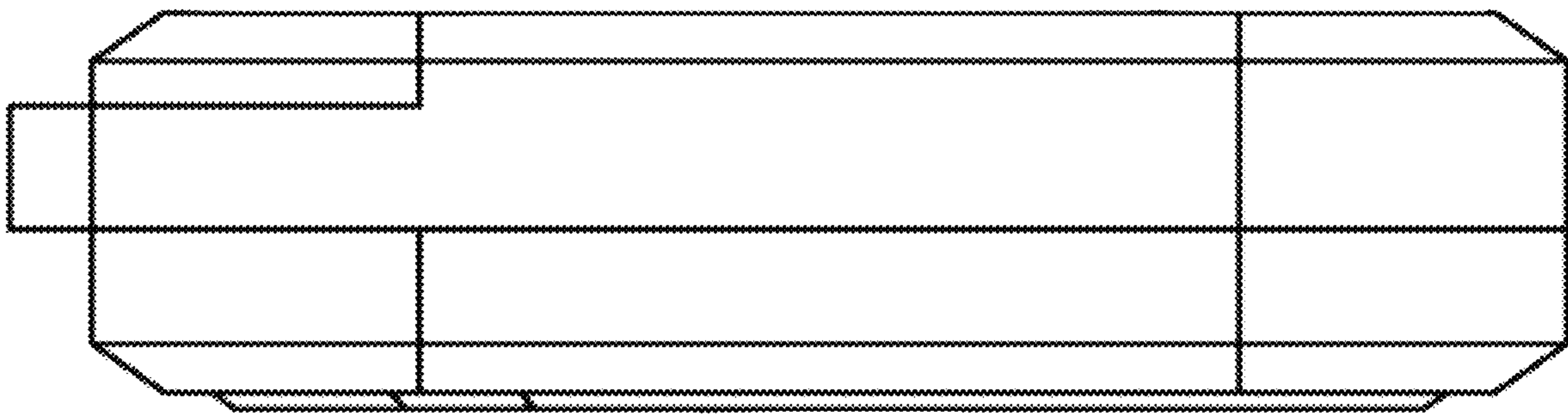


FIG. 33

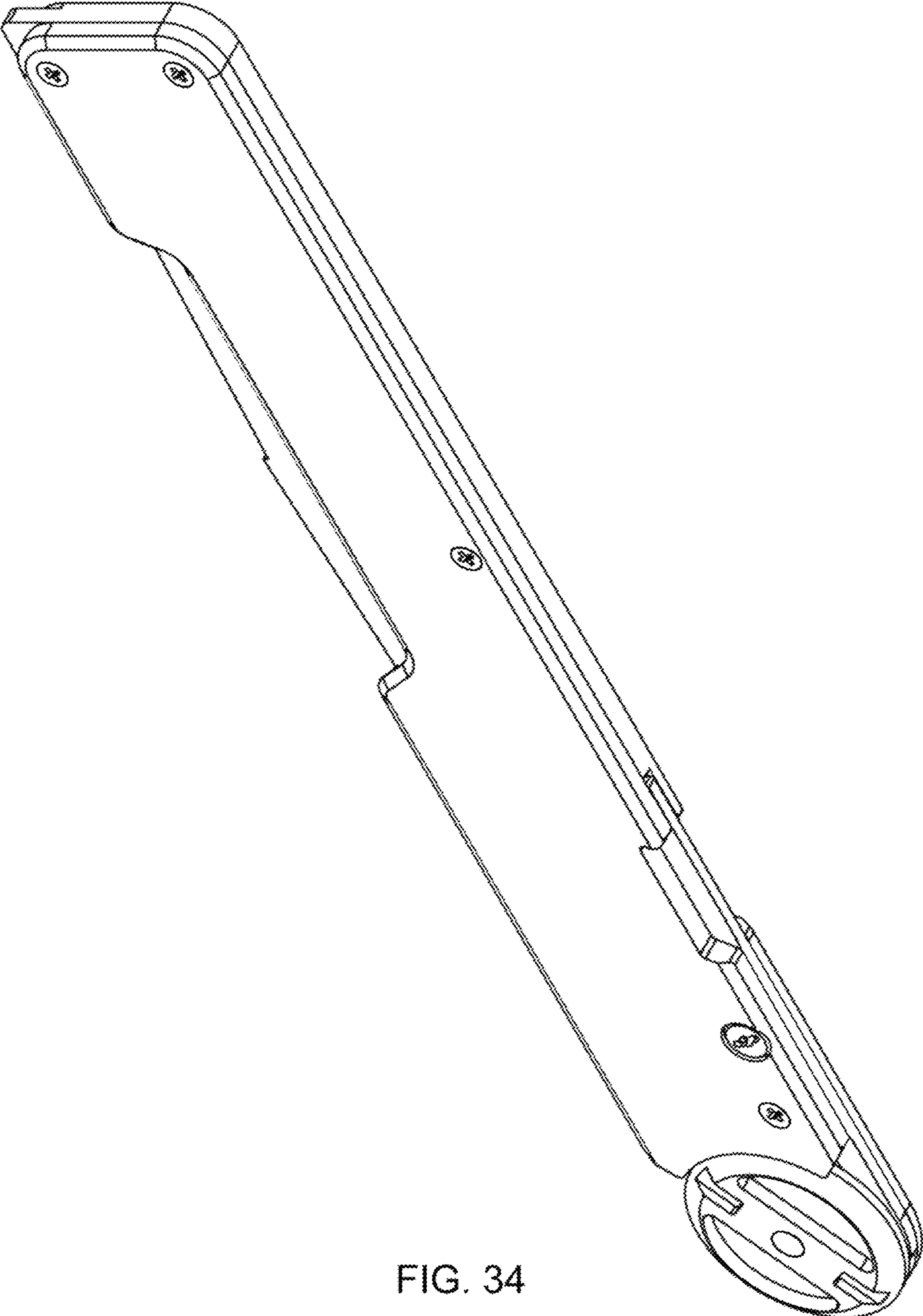


FIG. 34

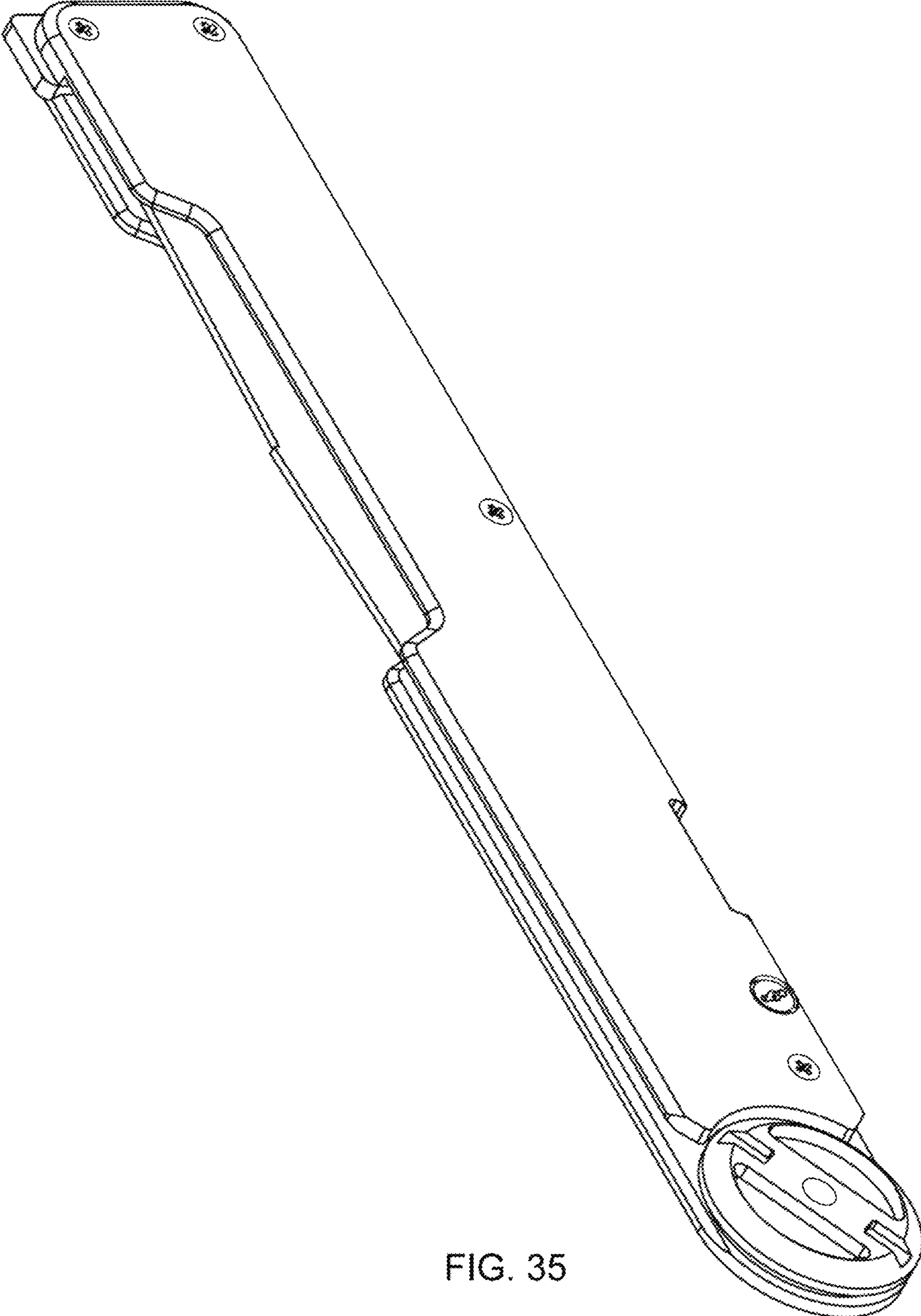


FIG. 35

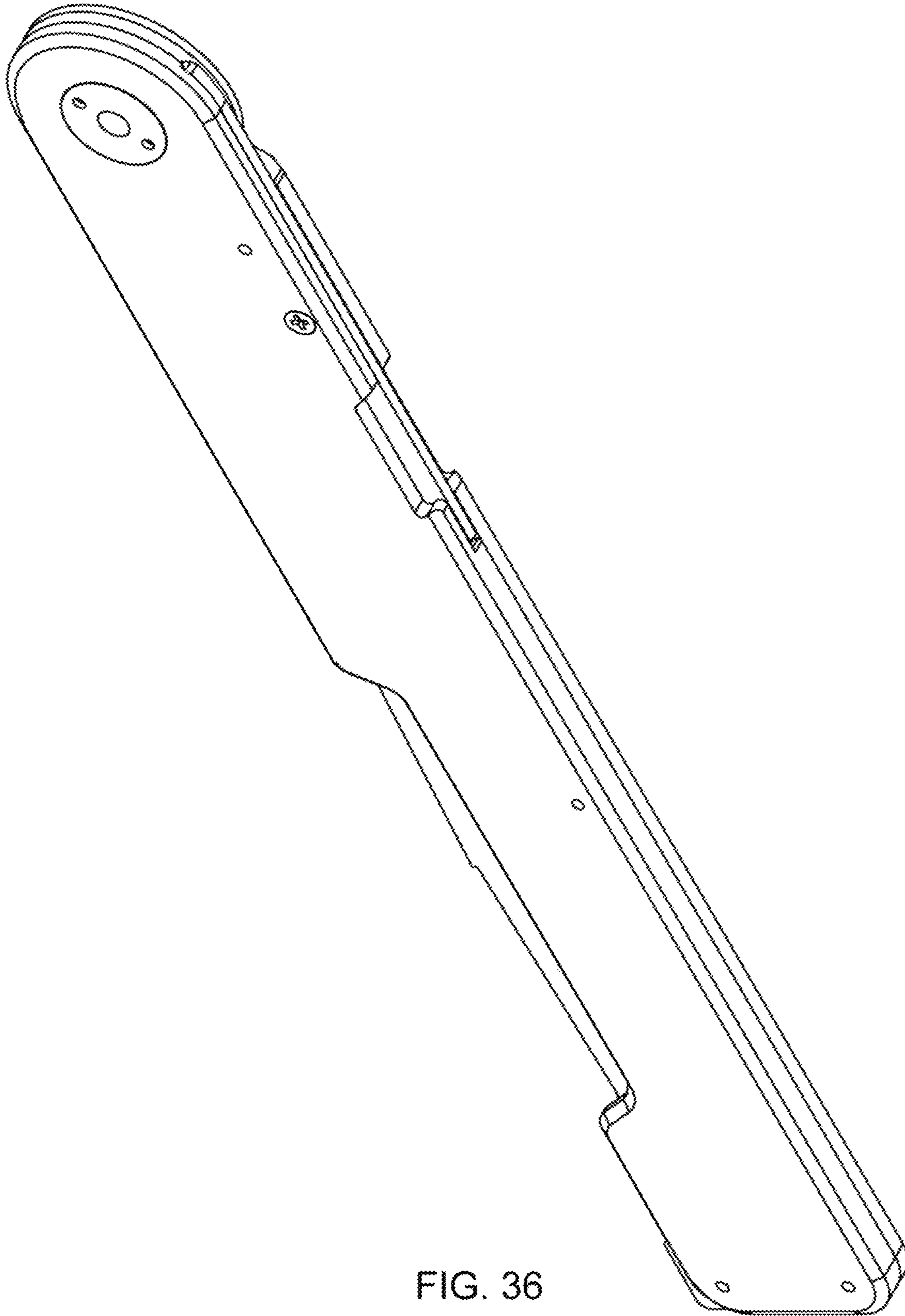


FIG. 36

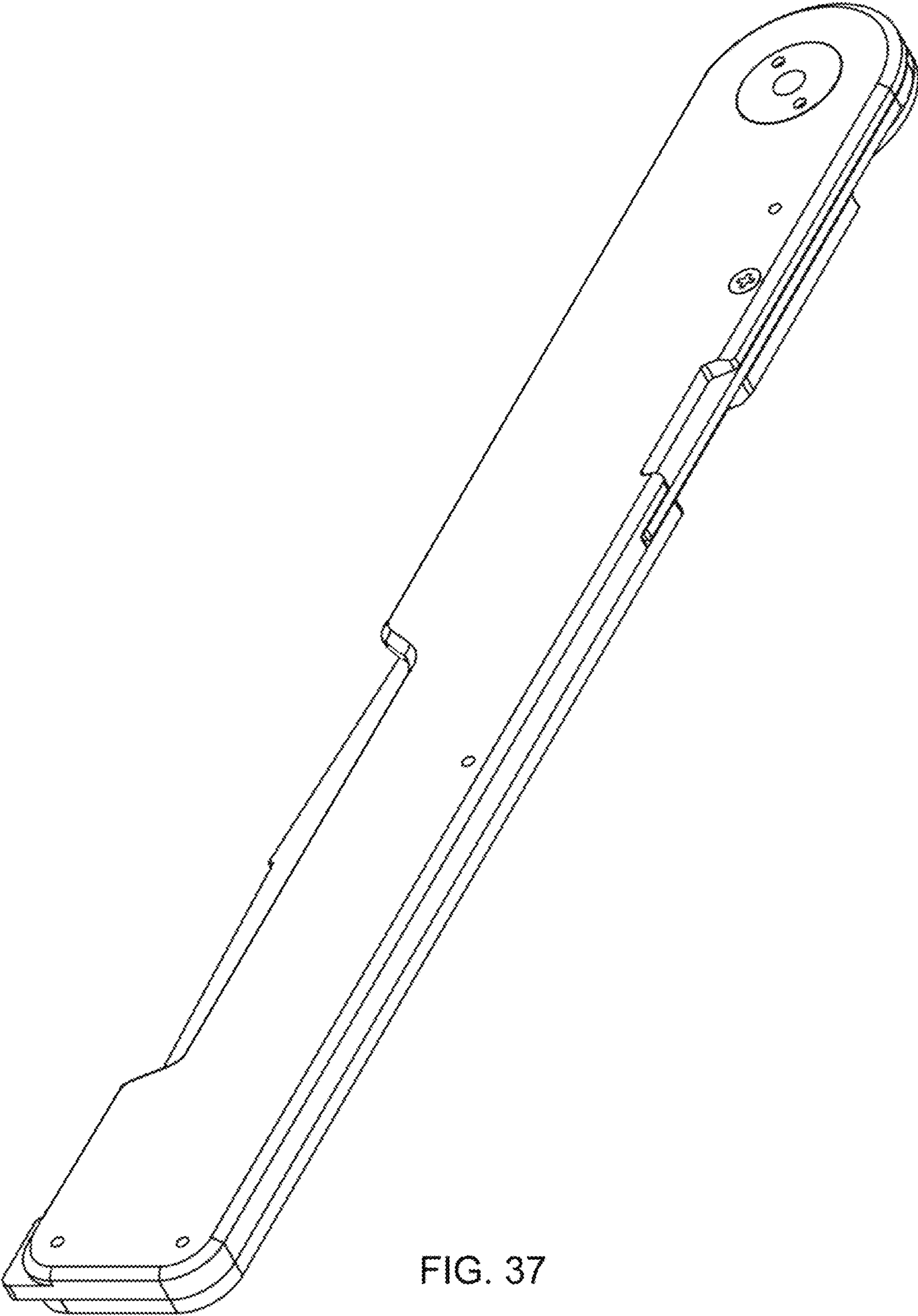


FIG. 37

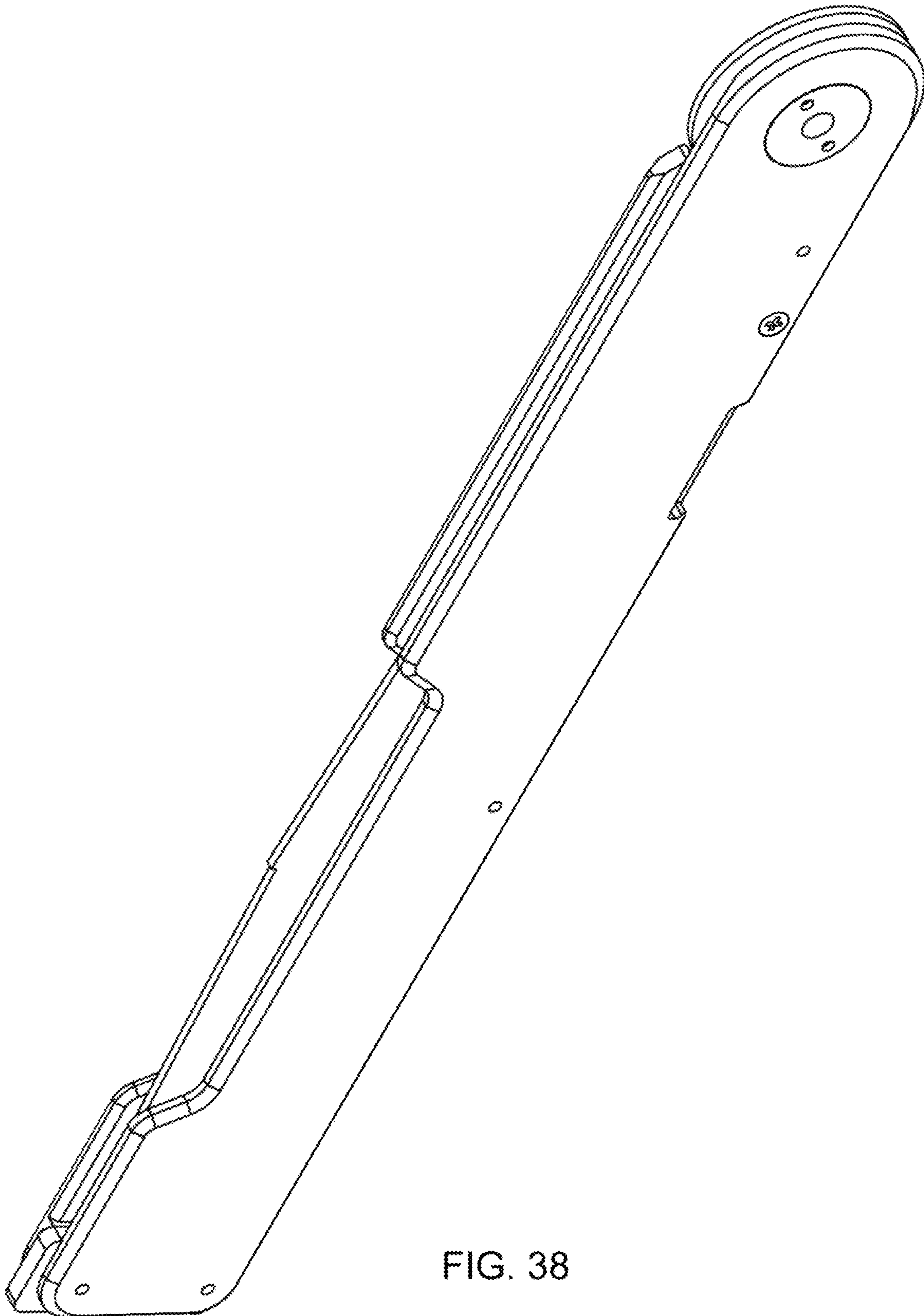


FIG. 38