



US00D887243S

(12) **United States Design Patent**  
**Su**

(10) **Patent No.:** **US D887,243 S**  
(45) **Date of Patent:** **\*\* Jun. 16, 2020**

- (54) **SCREWDRIVER**
- (71) Applicant: **Hong Ann Tool Industries Co., Ltd.,**  
Taichung (TW)
- (72) Inventor: **Cheng-Wei Su,** Taichung (TW)
- (73) Assignee: **Hong Ann Tool Industries Co., Ltd.,**  
Taichung (TW)
- (\*\*) Term: **15 Years**
- (21) Appl. No.: **29/669,953**
- (22) Filed: **Nov. 13, 2018**
- (51) **LOC (12) Cl.** ..... **08-05**
- (52) **U.S. Cl.**  
USPC ..... **D8/85**
- (58) **Field of Classification Search**  
USPC ... D8/14, 51, 82, 83, 84, 85, 105, 107, 300;  
D32/49, 52  
CPC ..... B25G 1/005; B25G 1/046; B25G 1/085;  
B25B 15/02; B25B 15/04  
See application file for complete search history.

- D407,289 S \* 3/1999 Swenson, Jr. .... D8/82
- D416,777 S \* 11/1999 Swenson, Sr. .... D8/107
- 7,255,028 B1 \* 8/2007 Di Bitonto ..... B25B 15/02  
81/439
- D709,751 S \* 7/2014 Wu ..... D8/85
- 2009/0016801 A1 \* 1/2009 Liu ..... B25F 1/02  
401/116

\* cited by examiner

*Primary Examiner* — Philip S Hyder  
(74) *Attorney, Agent, or Firm* — Alan D. Kamrath; Mayer & Williams PC

(57) **CLAIM**

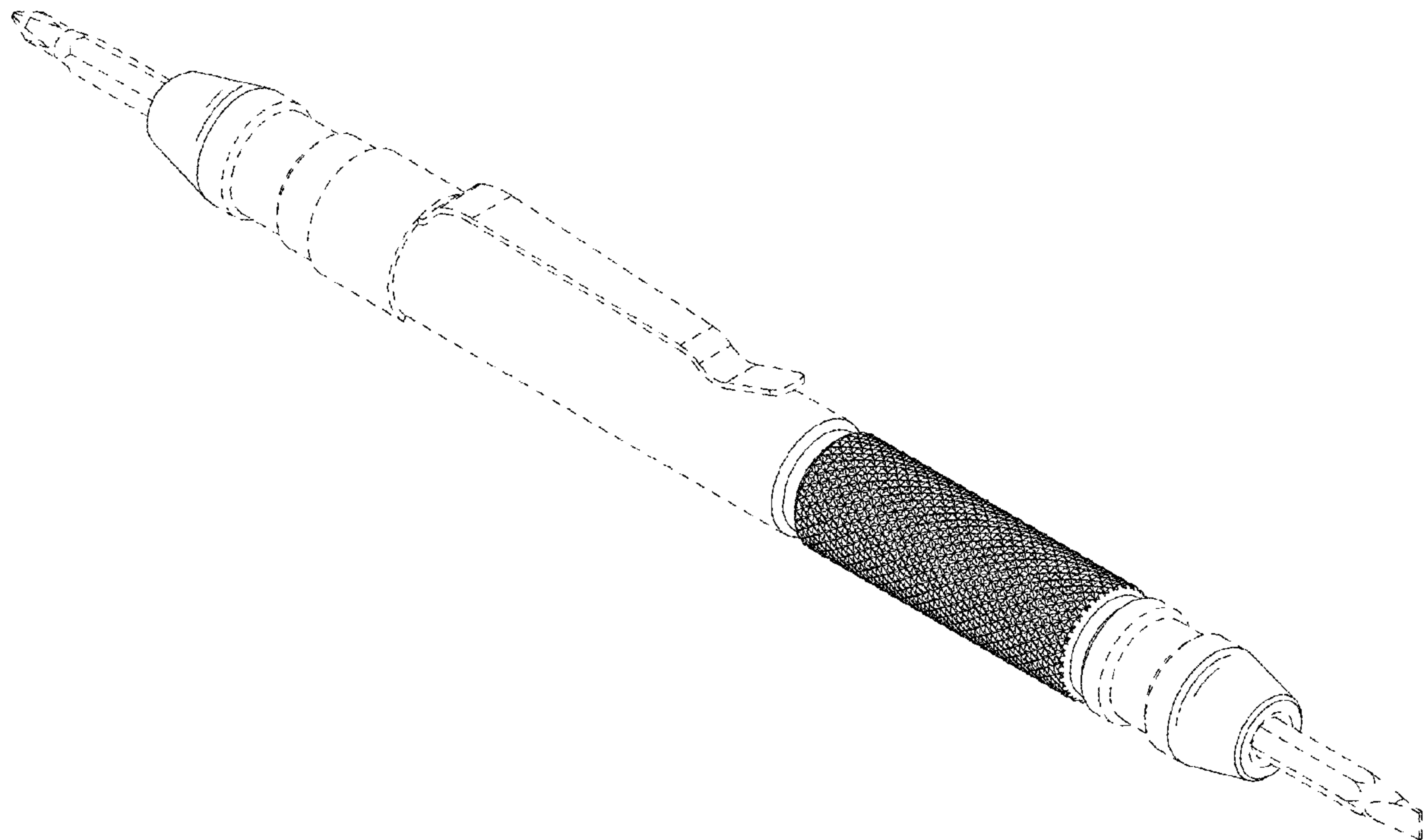
The ornamental design for a screwdriver, as shown and described.

**DESCRIPTION**

FIG. 1 is a perspective view of a screwdriver showing my new design;  
FIG. 2 is a front view thereof;  
FIG. 3 is a rear view thereof;  
FIG. 4 is a left view thereof;  
FIG. 5 is a right view thereof;  
FIG. 6 is a top view thereof; and,  
FIG. 7 is a bottom view thereof.  
The broken lines depict portions of the screwdriver in which the design is embodied that are not considered part of the claimed design.

**1 Claim, 6 Drawing Sheets**

- (56) **References Cited**  
U.S. PATENT DOCUMENTS  
1,250,328 A \* 12/1917 Langford ..... B25B 15/007  
81/436  
5,638,566 A \* 6/1997 Wu ..... B25F 1/02  
401/18



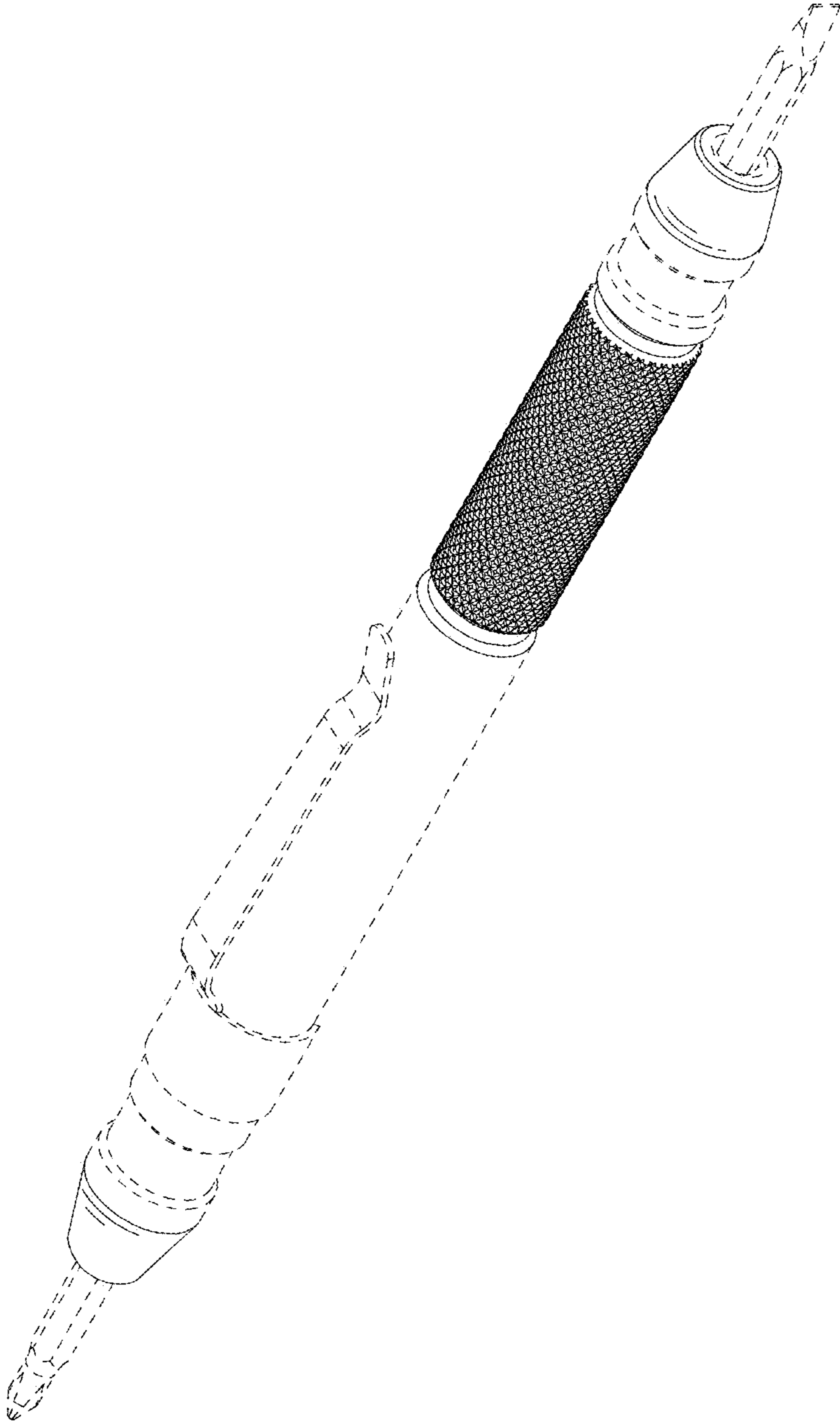


FIG. 1

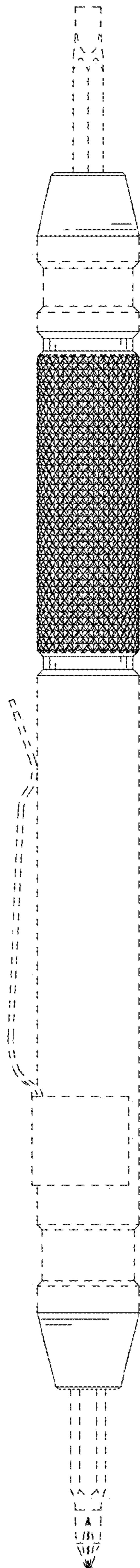


FIG. 2

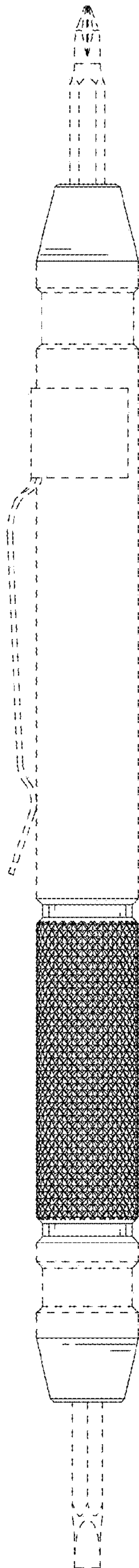


FIG. 3

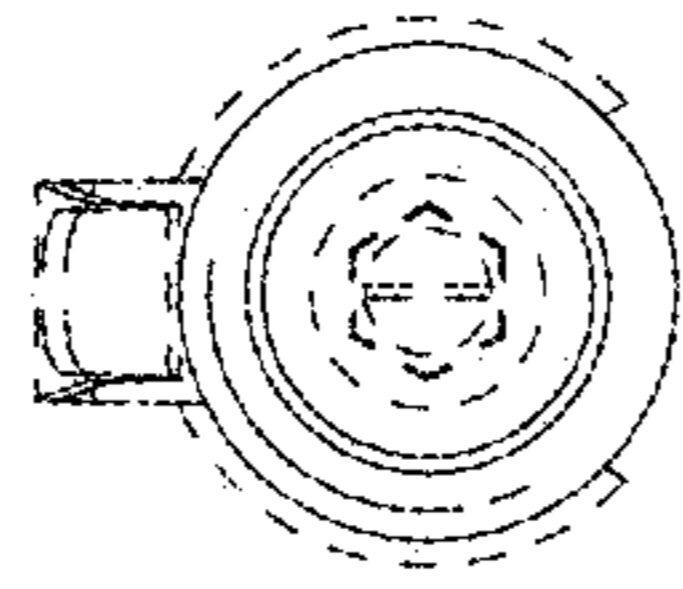


FIG. 5

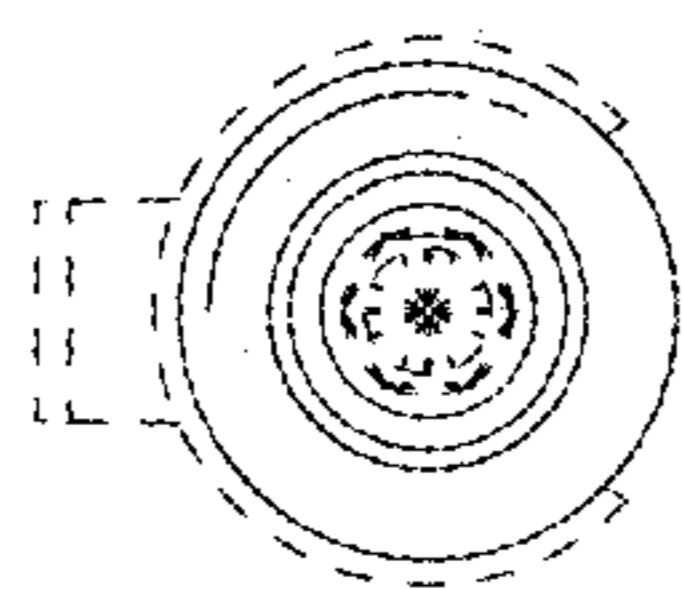


FIG. 4

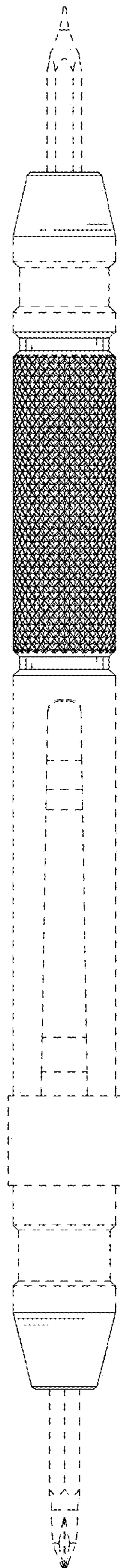


FIG. 6



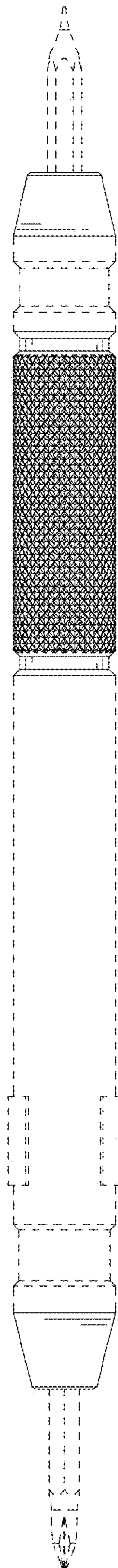


FIG. 7