



US00D887241S

(12) **United States Design Patent**
Woller

(10) **Patent No.:** **US D887,241 S**

(45) **Date of Patent:** **** *Jun. 16, 2020**

(54) **WALL MOUNTED OVERHEAD TOOL RACK**

(71) Applicant: **GOOD SPORTSMAN MARKETING, LLC**, Grand Prairie, TX (US)

(72) Inventor: **Ronald Ray Woller**, Decatur, AL (US)

(73) Assignee: **Good Sportsman Marketing LLC**, Grand Prairie, TX (US)

(*) Notice: This patent is subject to a terminal disclaimer.

(**) Term: **15 Years**

(21) Appl. No.: **29/651,421**

(22) Filed: **Aug. 13, 2018**

(51) **LOC (12) Cl.** **08-05**

(52) **U.S. Cl.**
USPC **D8/71**

(58) **Field of Classification Search**
USPC D8/71, 72, 73, 74, 373; D6/400, 553, D6/569, 328, 513; D15/133, 140
CPC B25H 3/04; B25H 3/003; F16M 13/02
See application file for complete search history.

(56) **References Cited**

U.S. PATENT DOCUMENTS

2,805,777	A *	9/1957	Larson	B25H 3/04	211/70.1
2,815,863	A *	12/1957	Larson	A47B 81/007	211/70.1
3,187,902	A *	6/1965	Nelson	B25H 3/04	211/70.6
3,603,551	A *	9/1971	Peterson	A47F 7/0028	248/314
D251,819	S	5/1979	Nuttall			
D260,831	S	9/1981	Hotchkiss			
D273,544	S	4/1984	Sheftel			
4,467,925	A	8/1984	Ratzloff			
4,653,637	A *	3/1987	Wallace	B25H 3/04	206/372

D294,548	S *	3/1988	Wallace	D6/558
D309,687	S	8/1990	Embree		
5,499,724	A	3/1996	Hickman		
D392,142	S *	3/1998	Weisburn	D6/553
D392,827	S *	3/1998	Yemini	D6/574
D394,775	S *	6/1998	Anderson	D6/574
5,788,092	A	8/1998	Teeney		
5,810,177	A	9/1998	Cabiran		
5,823,364	A	10/1998	Mucciacciaro		
D401,461	S *	11/1998	Laga	D6/566
6,102,215	A *	8/2000	Guida	B60P 3/14
					206/384

(Continued)

Primary Examiner — Janice Hallmark

Assistant Examiner — Harold E Blackwell, II

(74) *Attorney, Agent, or Firm* — D'Ambrosio & Menon, PLLC; Usha Menon

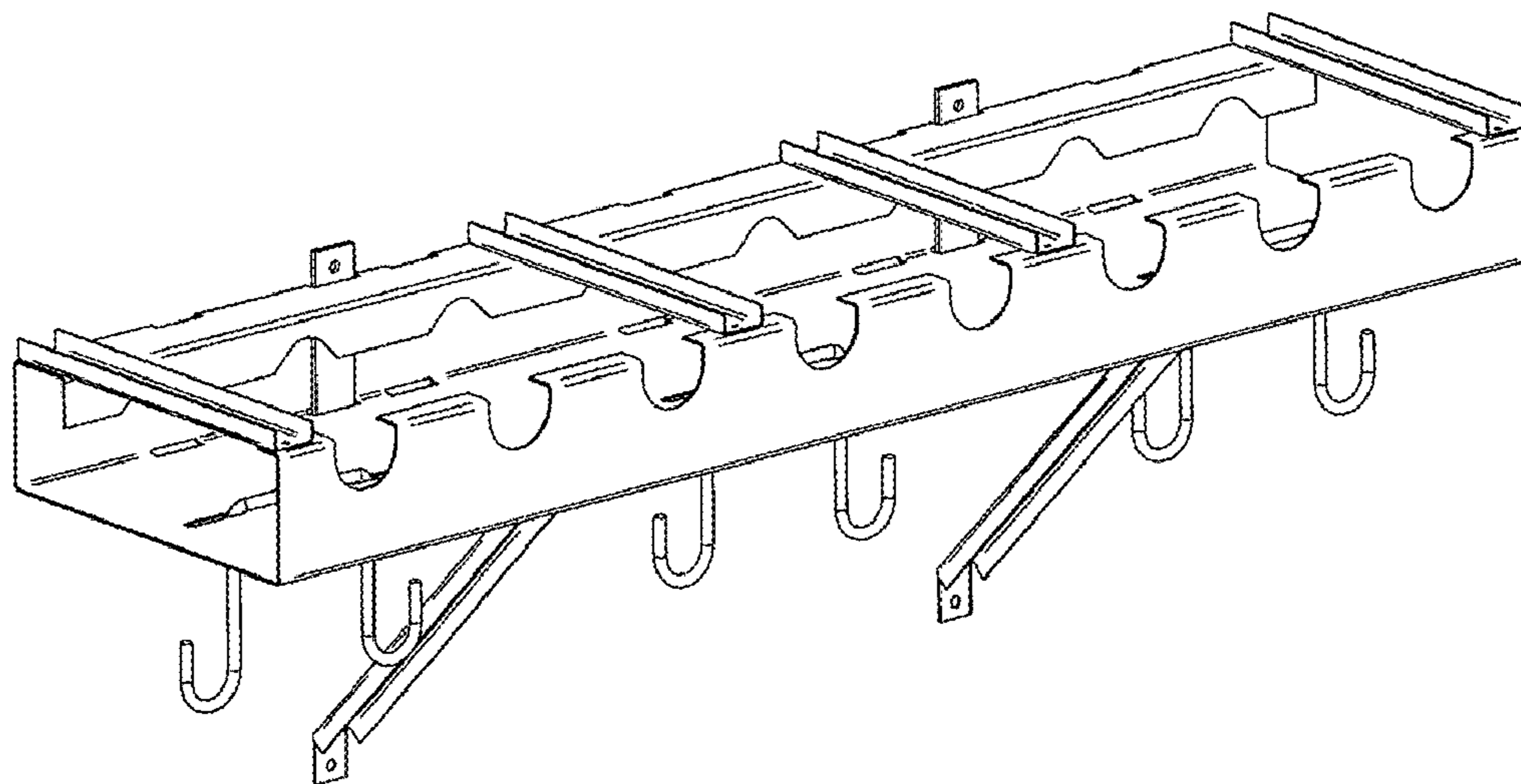
(57) **CLAIM**

The ornamental design for a wall mounted overhead tool rack, as shown and described.

DESCRIPTION

FIG. 1 is a top plan view of the wall mounted overhead tool rack;
 FIG. 2 is a front elevation view of the wall mounted overhead tool rack thereof;
 FIG. 3 is a bottom plan view of the wall mounted overhead tool rack thereof;
 FIG. 4 is a left elevation view of the wall mounted overhead tool rack thereof;
 FIG. 5 is a right elevation view of the wall mounted overhead tool rack thereof;
 FIG. 6 is a front Top isometric view of the wall mounted overhead tool rack thereof; and,
 FIG. 7 is a back top isometric view of the wall mounted overhead tool rack thereof showing a representative use. The broken lines in FIG. 7 represent the environment and form no part of the claimed design.

1 Claim, 4 Drawing Sheets



(56)

References Cited

U.S. PATENT DOCUMENTS

D458,070	S *	6/2002	Bennett	D6/567
D461,762	S	8/2002	Scott	
6,499,608	B1	12/2002	Sterling	
6,641,099	B1 *	11/2003	Lue	B25H 3/04 211/70.6
6,769,553	B1	8/2004	Hurt	
D552,796	S *	10/2007	Petruccelli	D28/18
D575,972	S *	9/2008	Shiao	D6/567
D602,724	S *	10/2009	Liu	D6/567
7,748,544	B1 *	7/2010	Davitz	A47B 96/06 211/70.6
D639,097	S	6/2011	Hayes	
8,113,352	B1	2/2012	Kao	
D725,406	S *	3/2015	Olszewski	D6/567
9,282,817	B2 *	3/2016	Yates	A47B 81/005
D793,088	S *	8/2017	Ou	D3/315
D811,202	S *	2/2018	Goodman	D8/370
D836,424	S *	12/2018	Santarelli	A47F 5/0006 D8/372
D846,304	S *	4/2019	Allen	D6/574
2013/0221172	A1 *	8/2013	Owen	A47G 25/145 248/205.3
2019/0126461	A1 *	5/2019	Mefferd	B25H 3/04

* cited by examiner

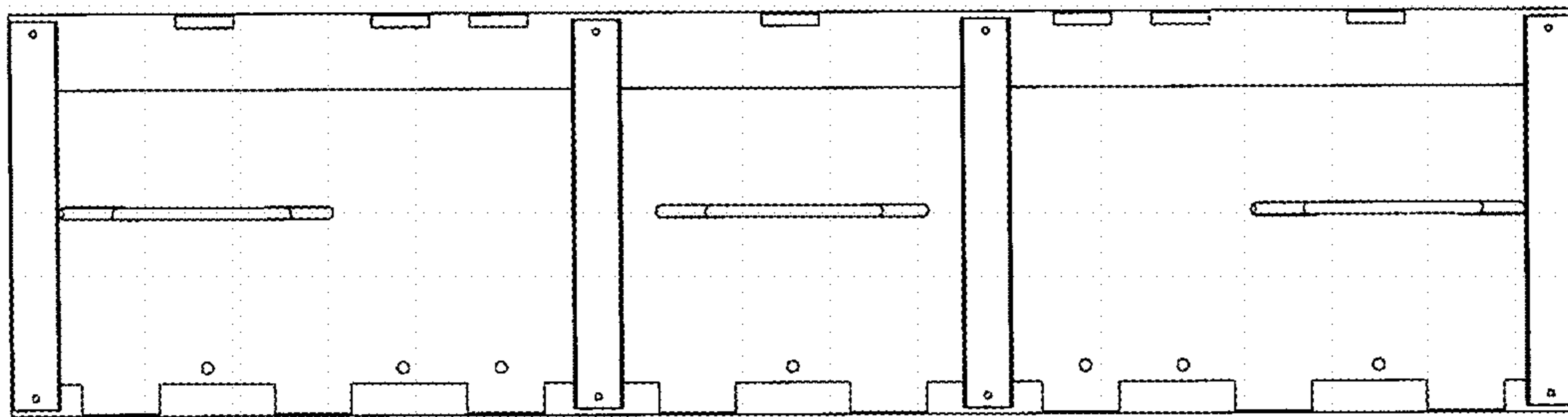


Figure 1

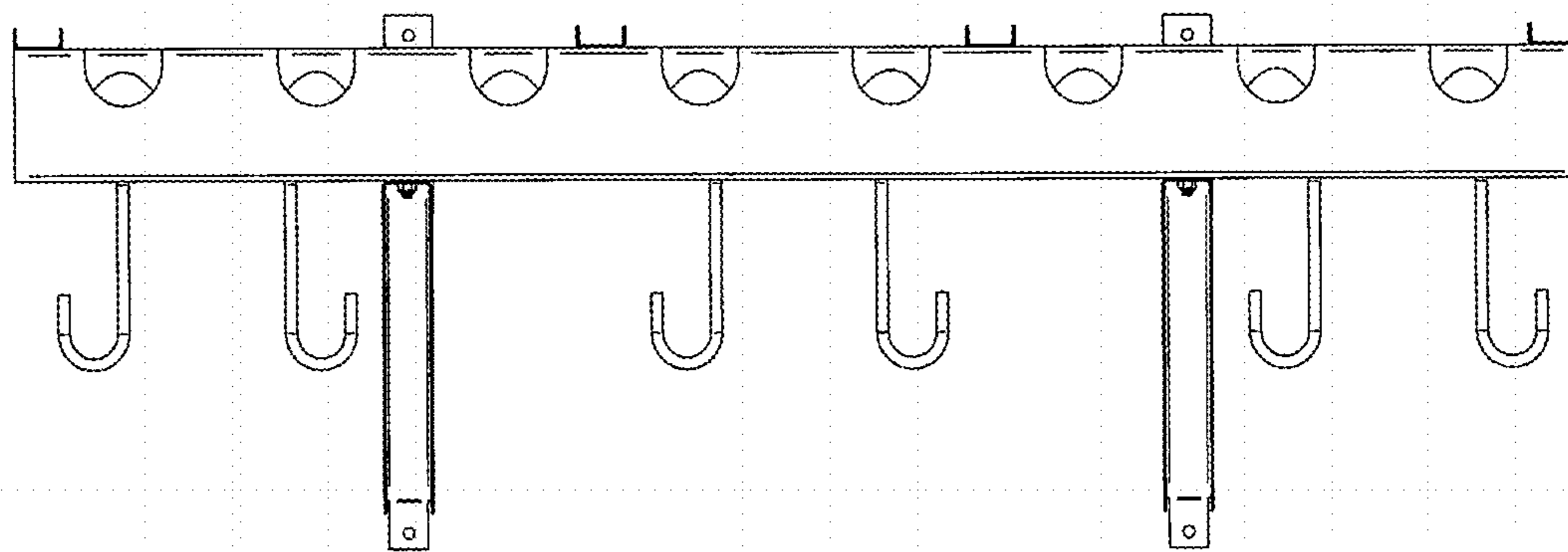


Figure 2

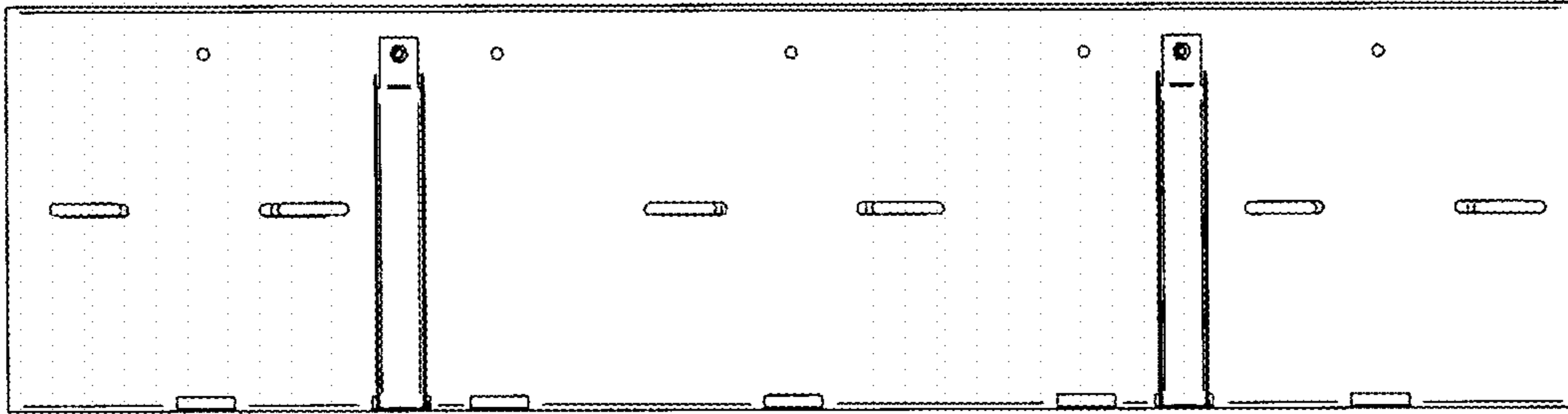


Figure 3

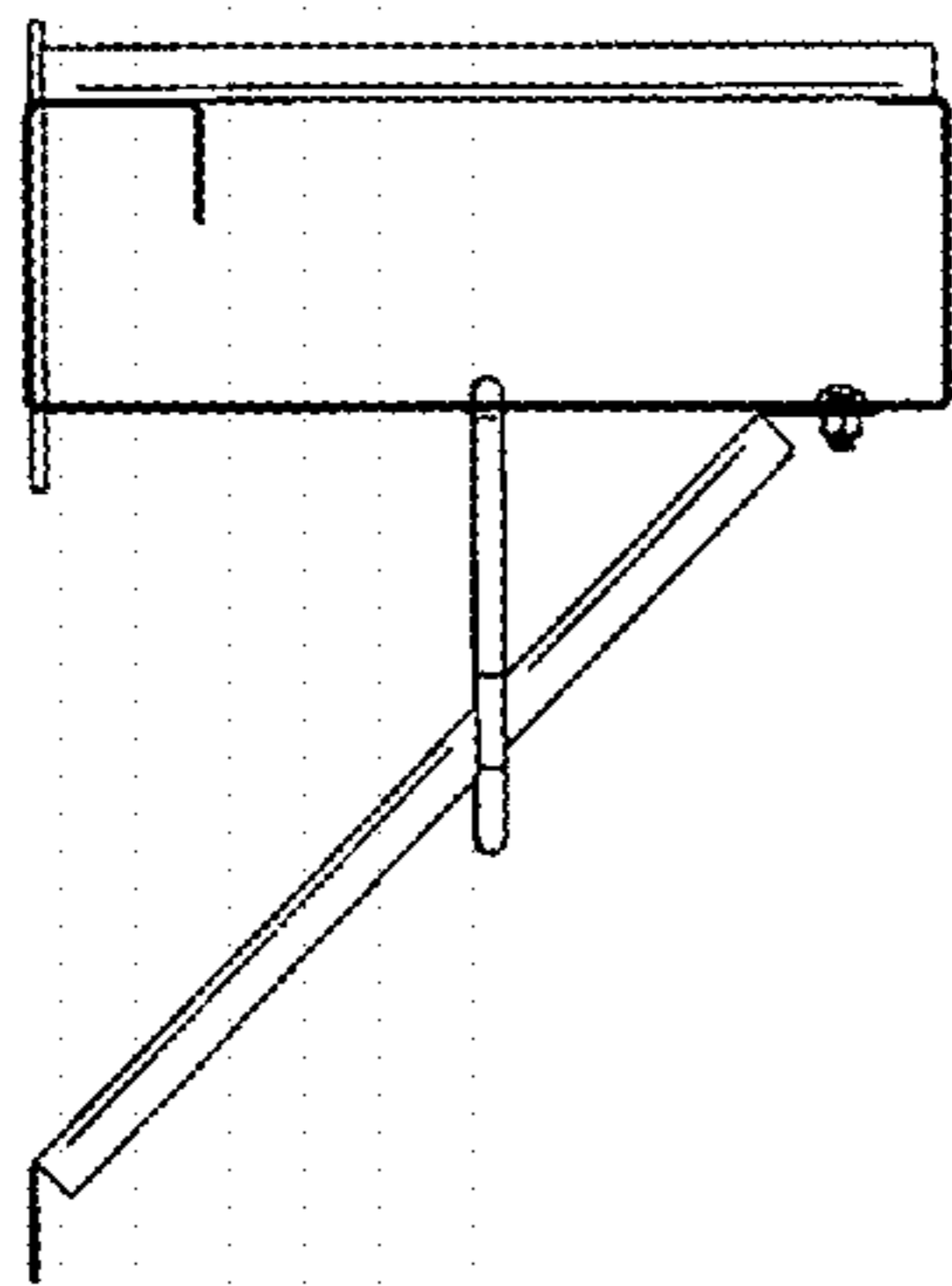


Figure 4

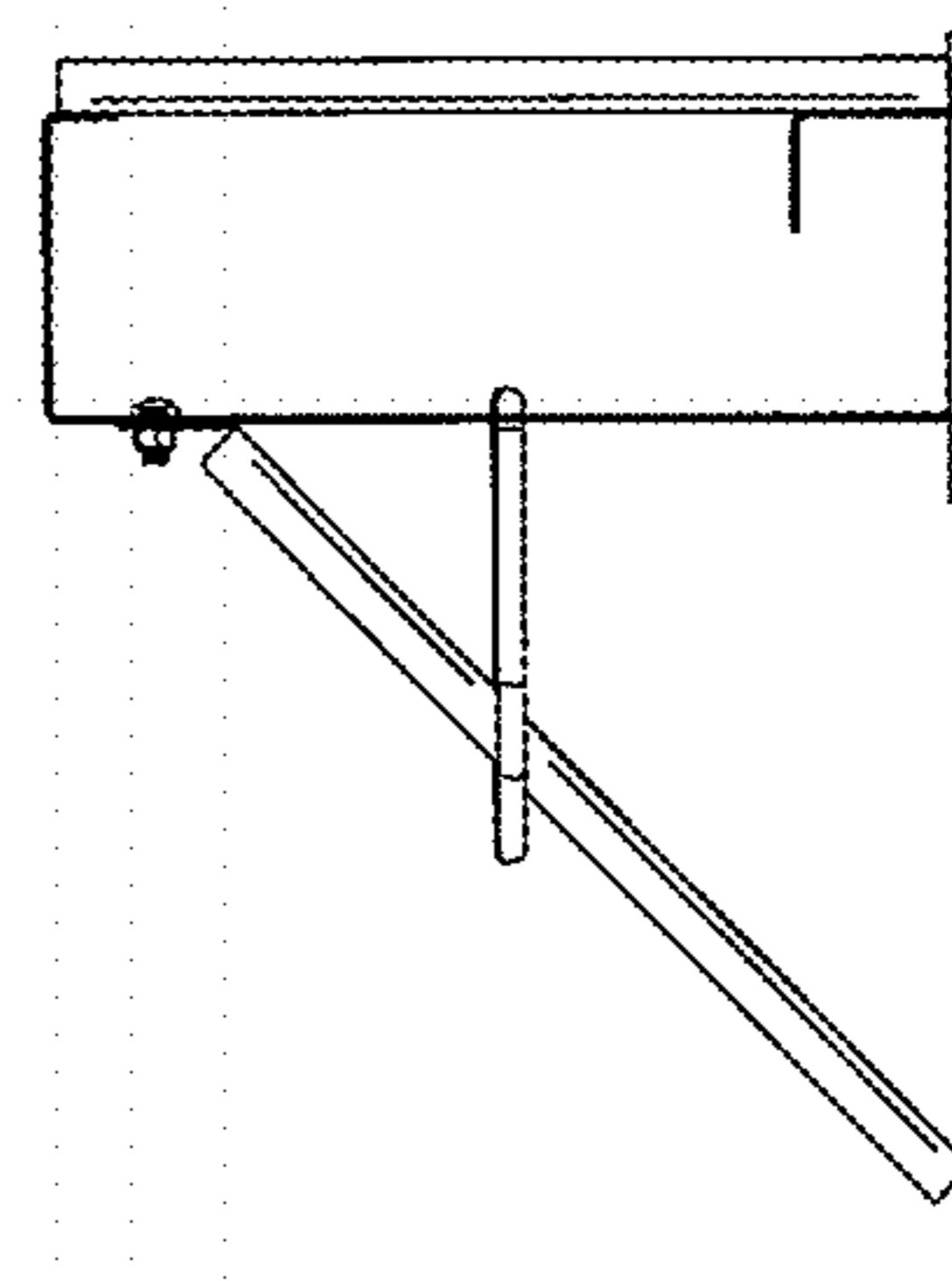


Figure 5

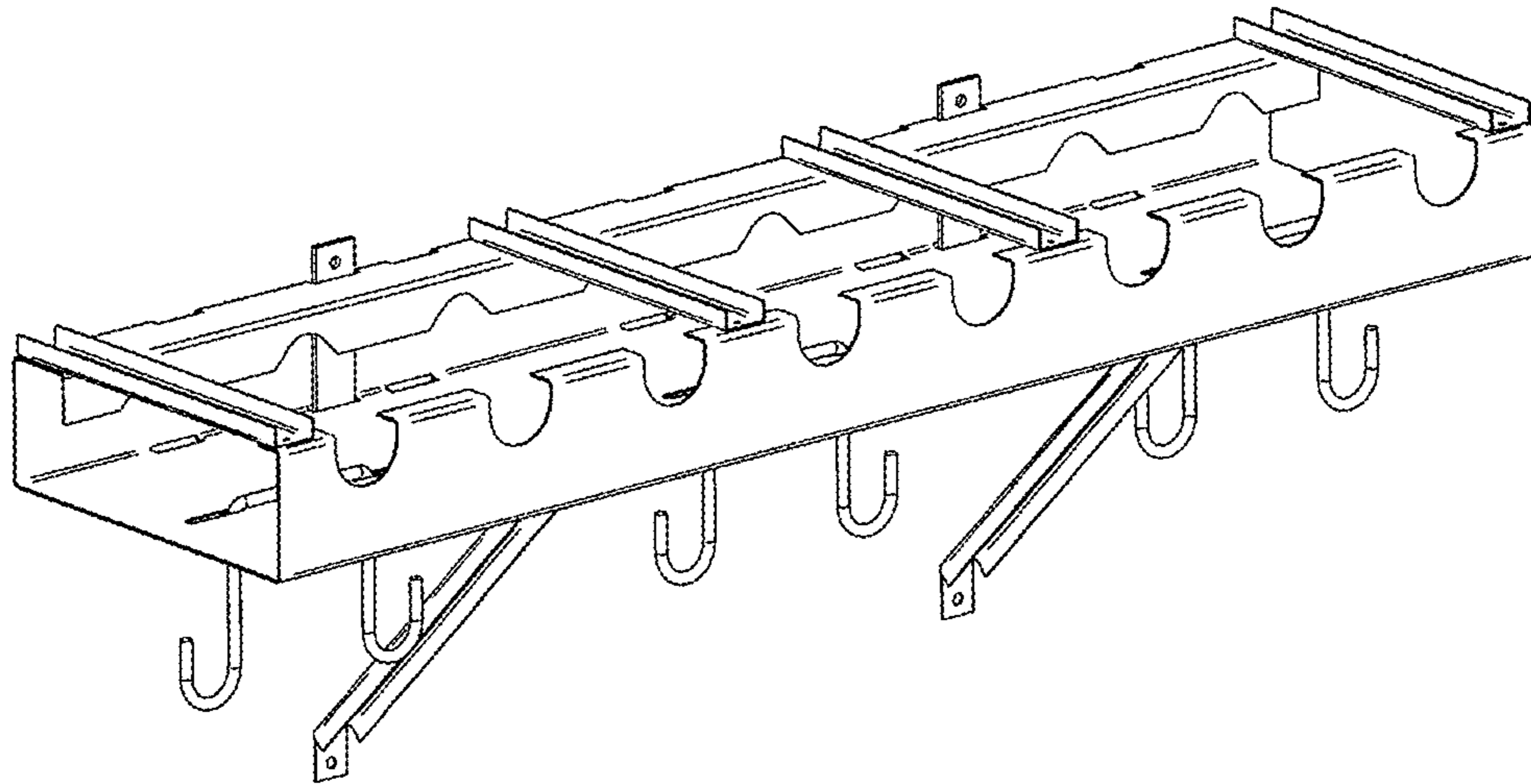


Figure 6

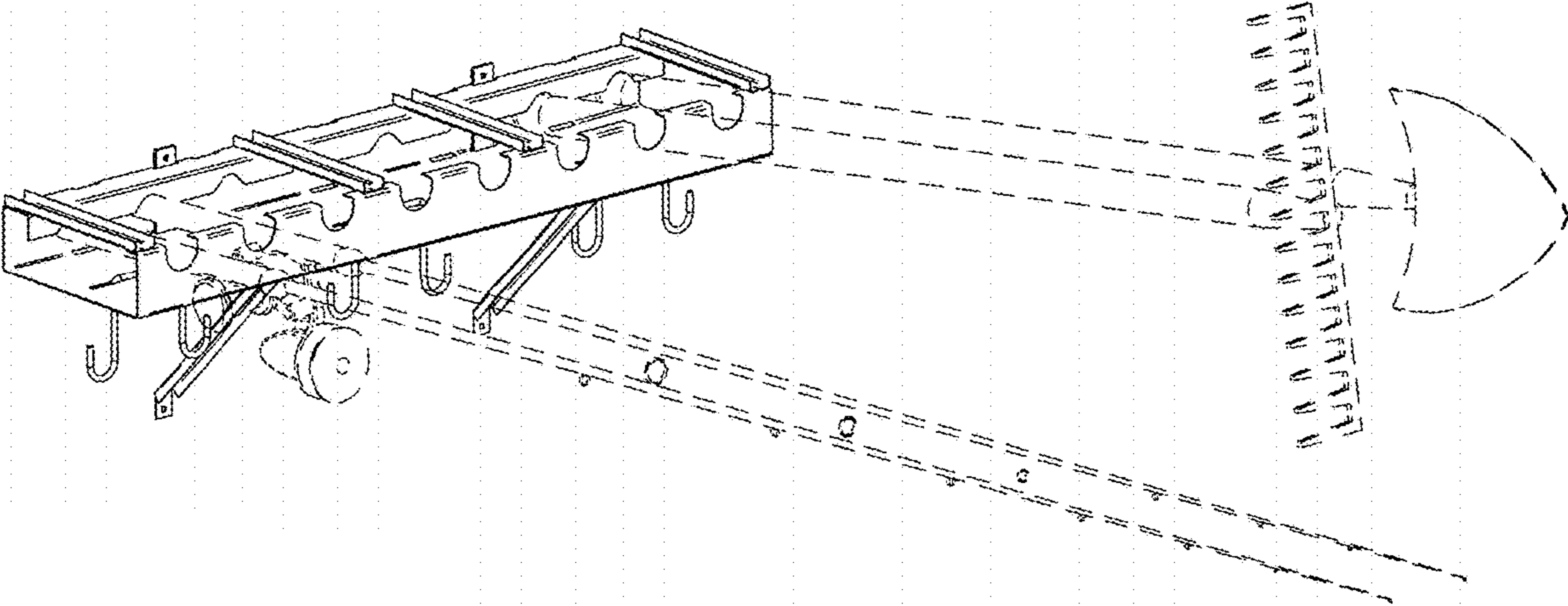


Figure 7