



US00D887240S

(12) **United States Design Patent**  
**Rossner et al.**

(10) **Patent No.:** **US D887,240 S**  
(45) **Date of Patent:** **\*\* Jun. 16, 2020**

(54) **POWER TOOL**

(71) Applicant: **Wagner Spray Tech Corporation**,  
Plymouth, MN (US)

(72) Inventors: **Ross D. Rossner**, Leander, TX (US);  
**Matthias Mazur**, Hamburg (DE);  
**Heiko Tullney**, Aumühle (DE)

(73) Assignee: **Wagner Spray Tech Corporation**,  
Plymouth, MN (US)

(\*\*) Term: **15 Years**

(21) Appl. No.: **29/674,327**

(22) Filed: **Dec. 20, 2018**

(51) **LOC (12) Cl.** ..... **08-01**

(52) **U.S. Cl.**  
USPC ..... **D8/61**

(58) **Field of Classification Search**  
USPC .... D8/69, 68, 67, 66, 64, 61, 70; 83/698.41,  
83/747, 166.3, 374, 373, 375, 376, 391,  
83/377, 390, 388, 389; 125/13.01;  
144/218; D21/532

CPC ..... B24B 23/028; B24B 47/12; B24B 7/186;  
B25F 5/001; B25F 5/02

See application file for complete search history.

(56) **References Cited**

**U.S. PATENT DOCUMENTS**

D664,411 S \* 7/2012 Aglassinger ..... D8/62  
D666,071 S \* 8/2012 Aglassinger ..... D8/62  
D679,159 S \* 4/2013 Waldron ..... D8/62  
D718,998 S \* 12/2014 Tirone ..... D8/62

D819,418 S \* 6/2018 Gooden ..... D8/62  
D831,458 S \* 10/2018 Itoh ..... D8/62  
D858,238 S \* 9/2019 Schirmacher ..... D8/62  
D863,911 S \* 10/2019 Yang ..... D8/62  
D863,912 S \* 10/2019 Yang ..... D8/62

**OTHER PUBLICATIONS**

First Office Action for Chinese Design Patent Application No. 201930128653.1 dated Aug. 2, 2019, 1 page. No English Translation.

\* cited by examiner

*Primary Examiner* — Austin Murphy

(74) *Attorney, Agent, or Firm* — Christopher J. Volkman; Kelly, Holt & Christenson, PLLC

(57) **CLAIM**

The ornamental design for the power tool, as shown and described.

**DESCRIPTION**

FIG. 1 is a perspective view of the power tool.

FIG. 2 is a front view of the power tool.

FIG. 3 is a left side view of the power tool.

FIG. 4 is a top view of the power tool.

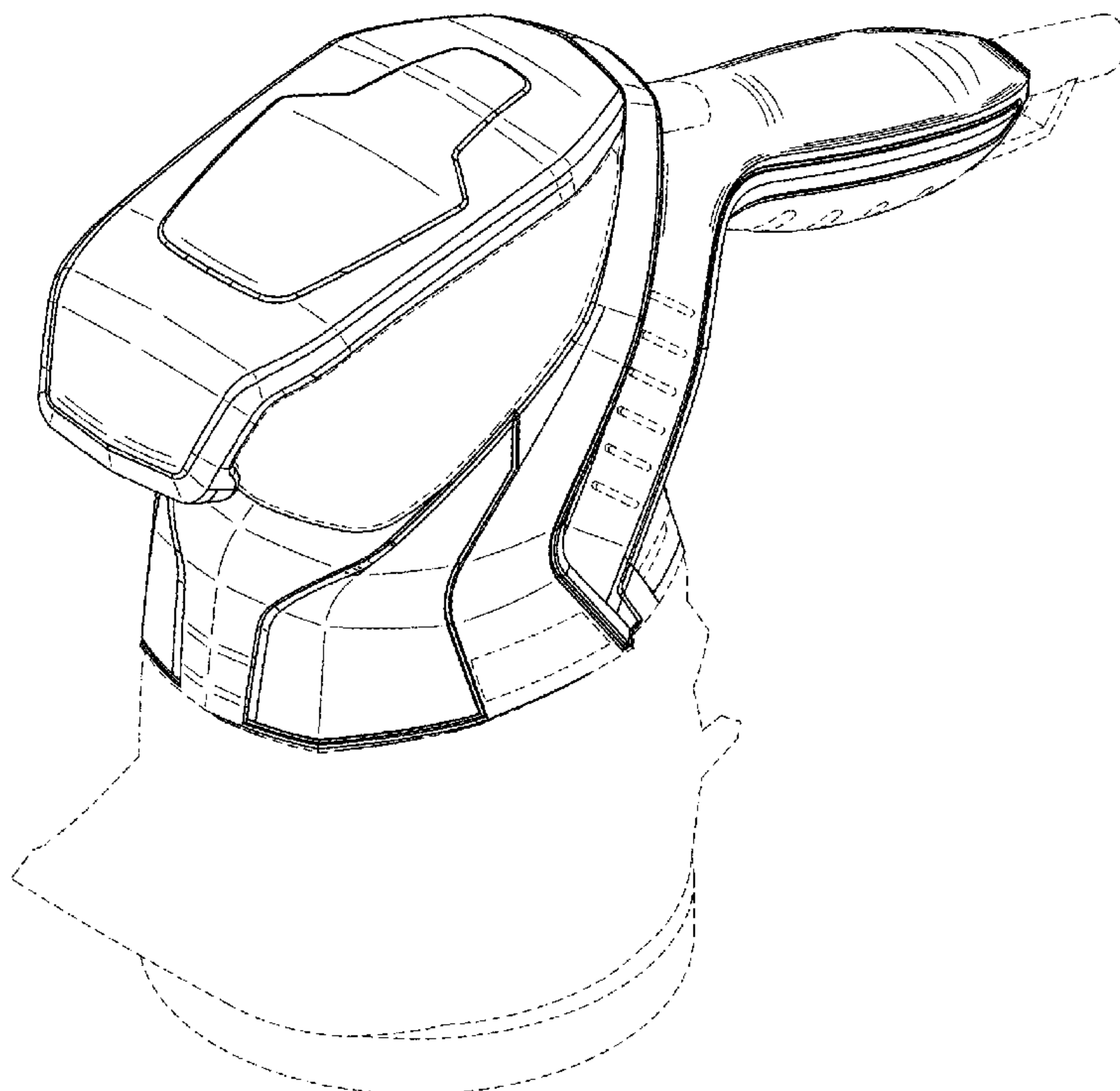
FIG. 5 is a right side view of the power tool.

FIG. 6 is a back view of the power tool; and,

FIG. 7 is a bottom view of the power tool.

The details shown in broken lines form no part of the claimed design.

**1 Claim, 7 Drawing Sheets**



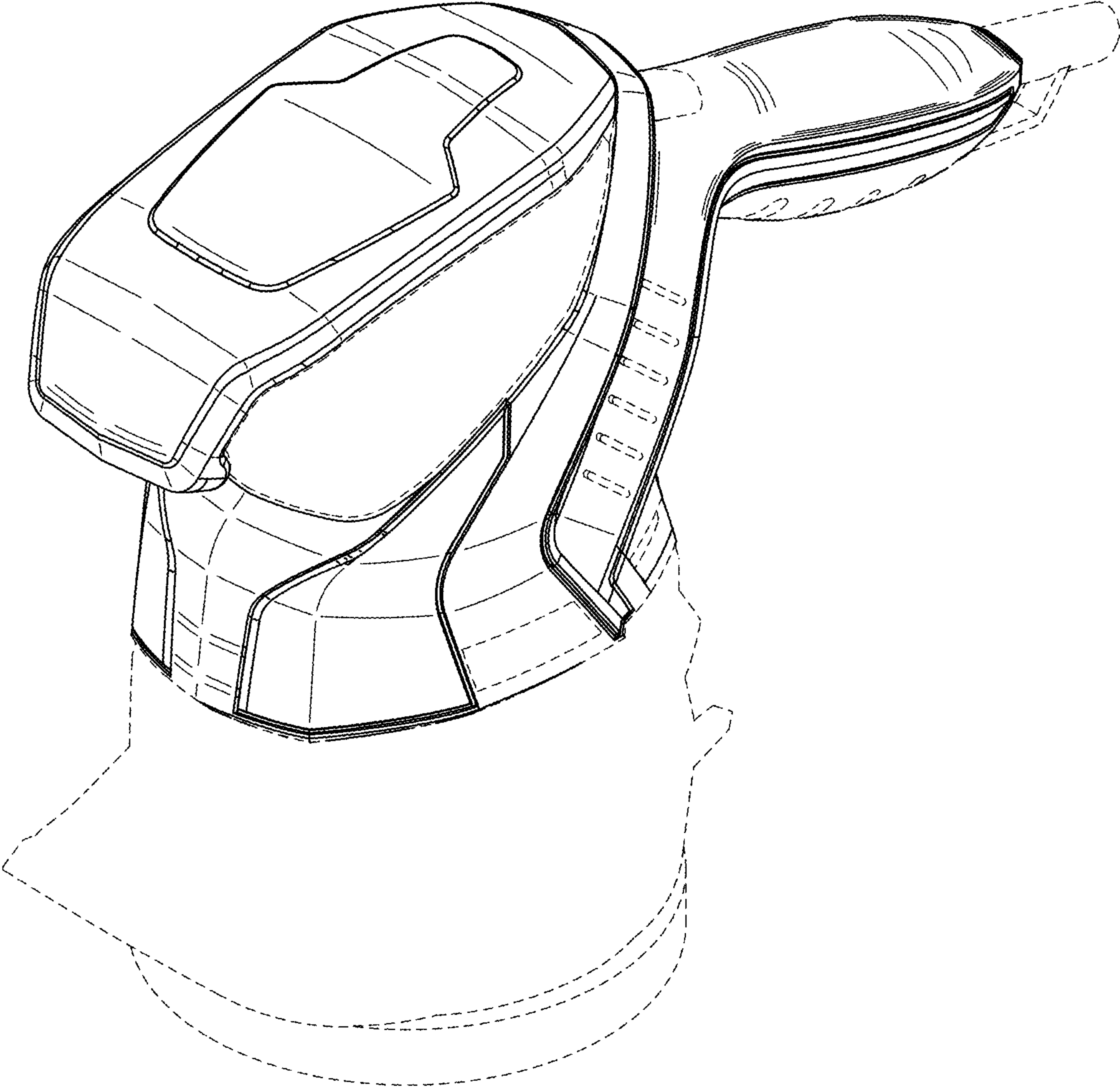


FIG. 1

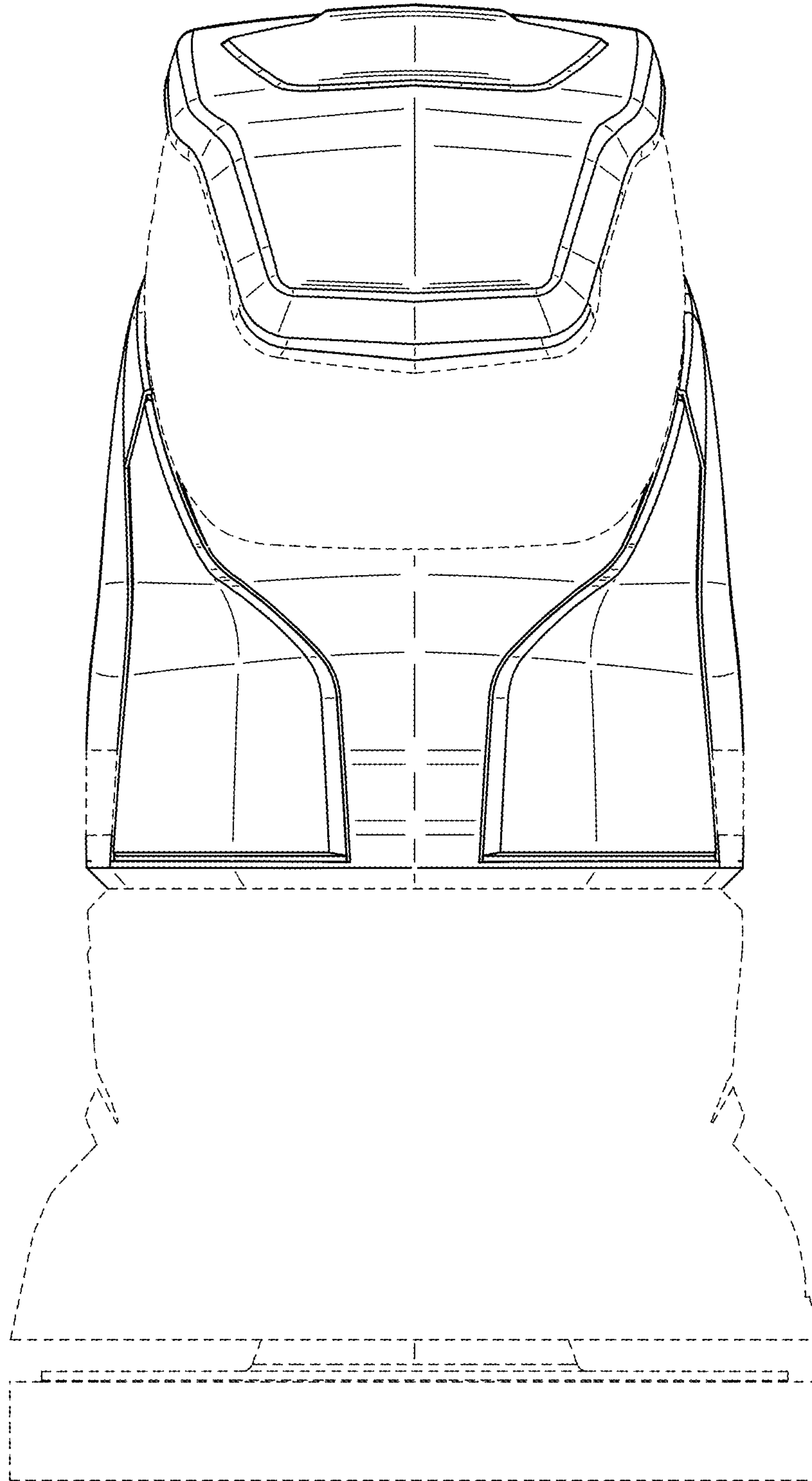


FIG. 2

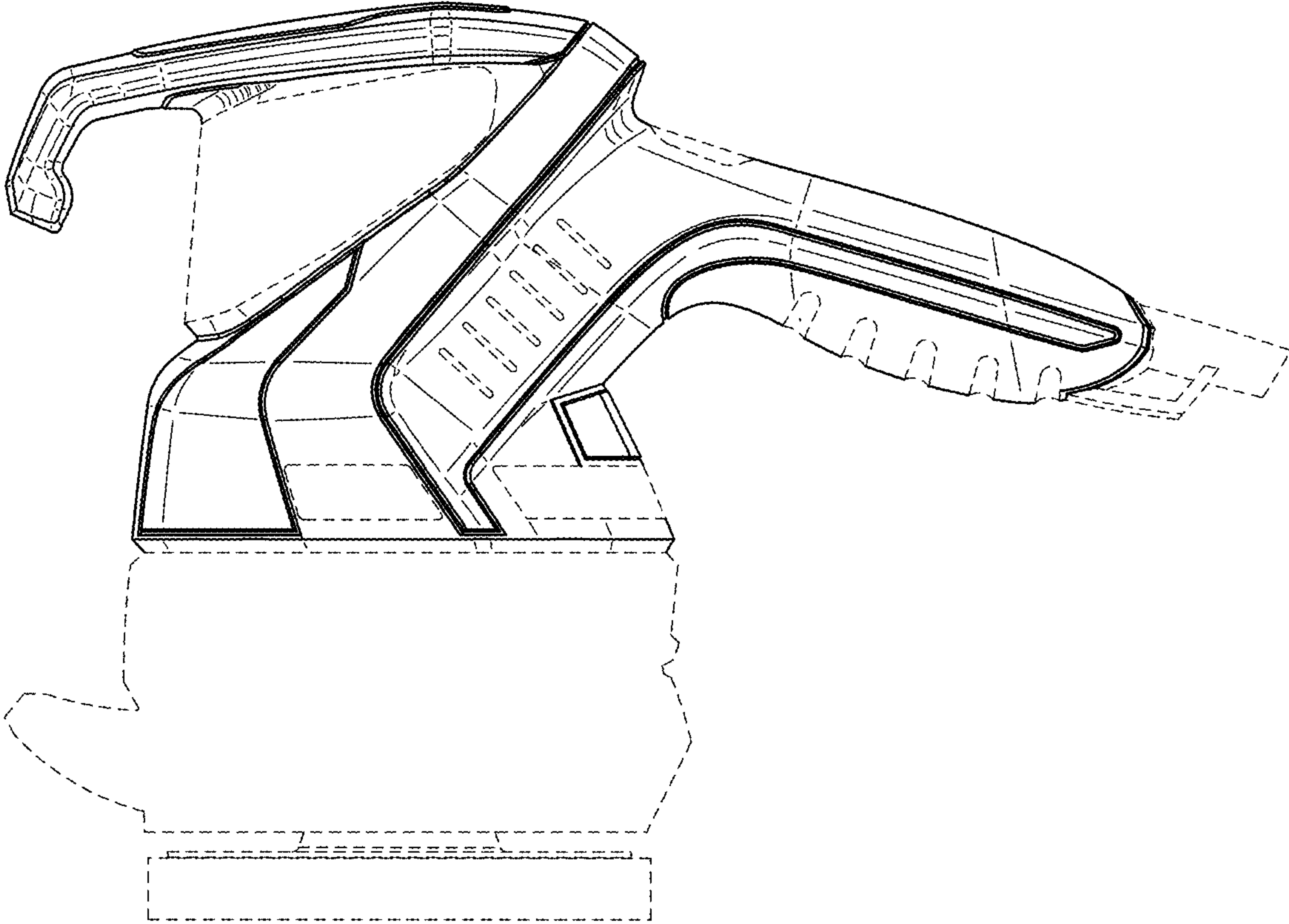


FIG. 3



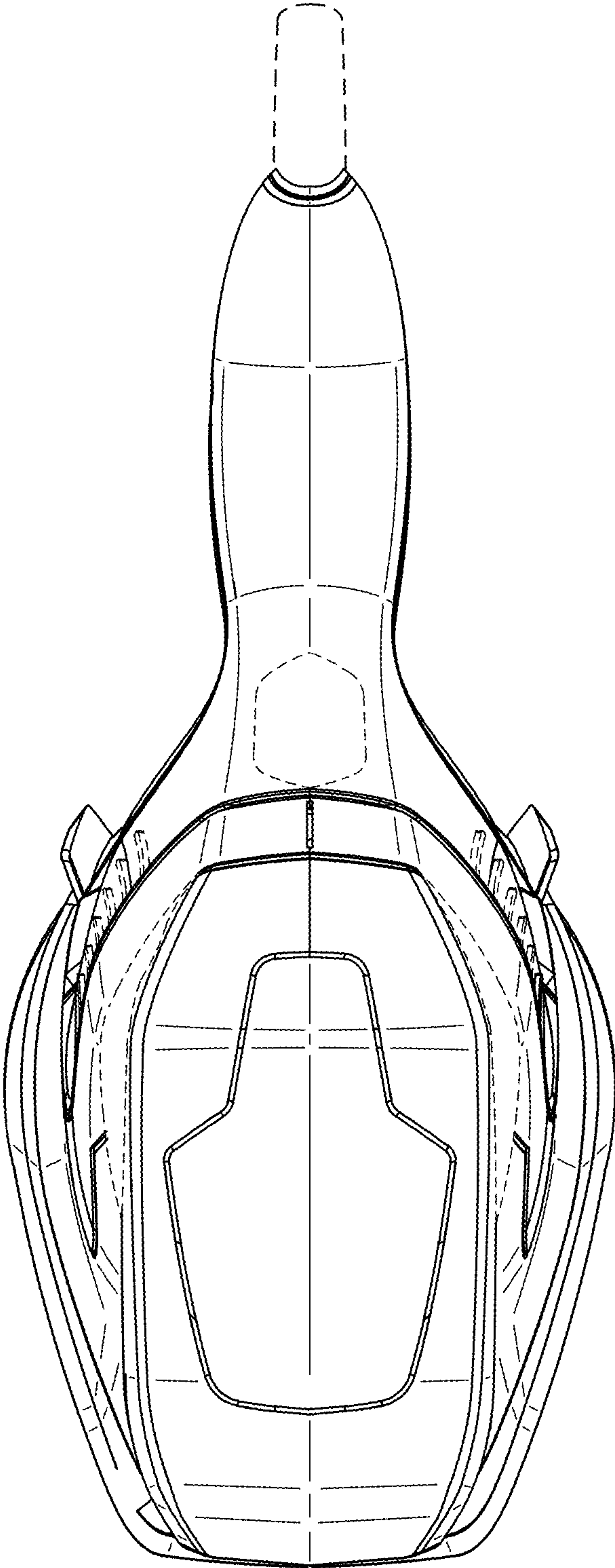


FIG. 4

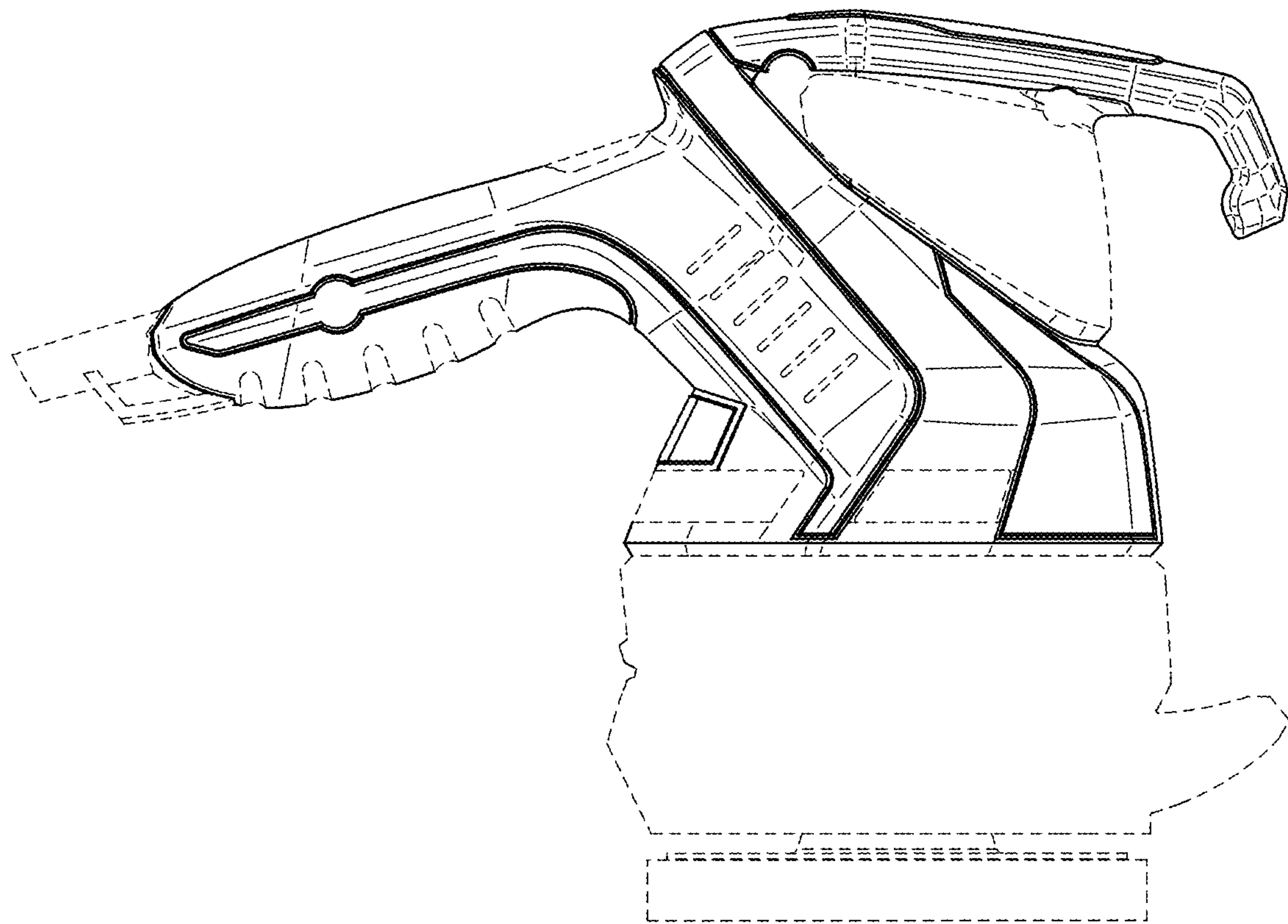


FIG. 5

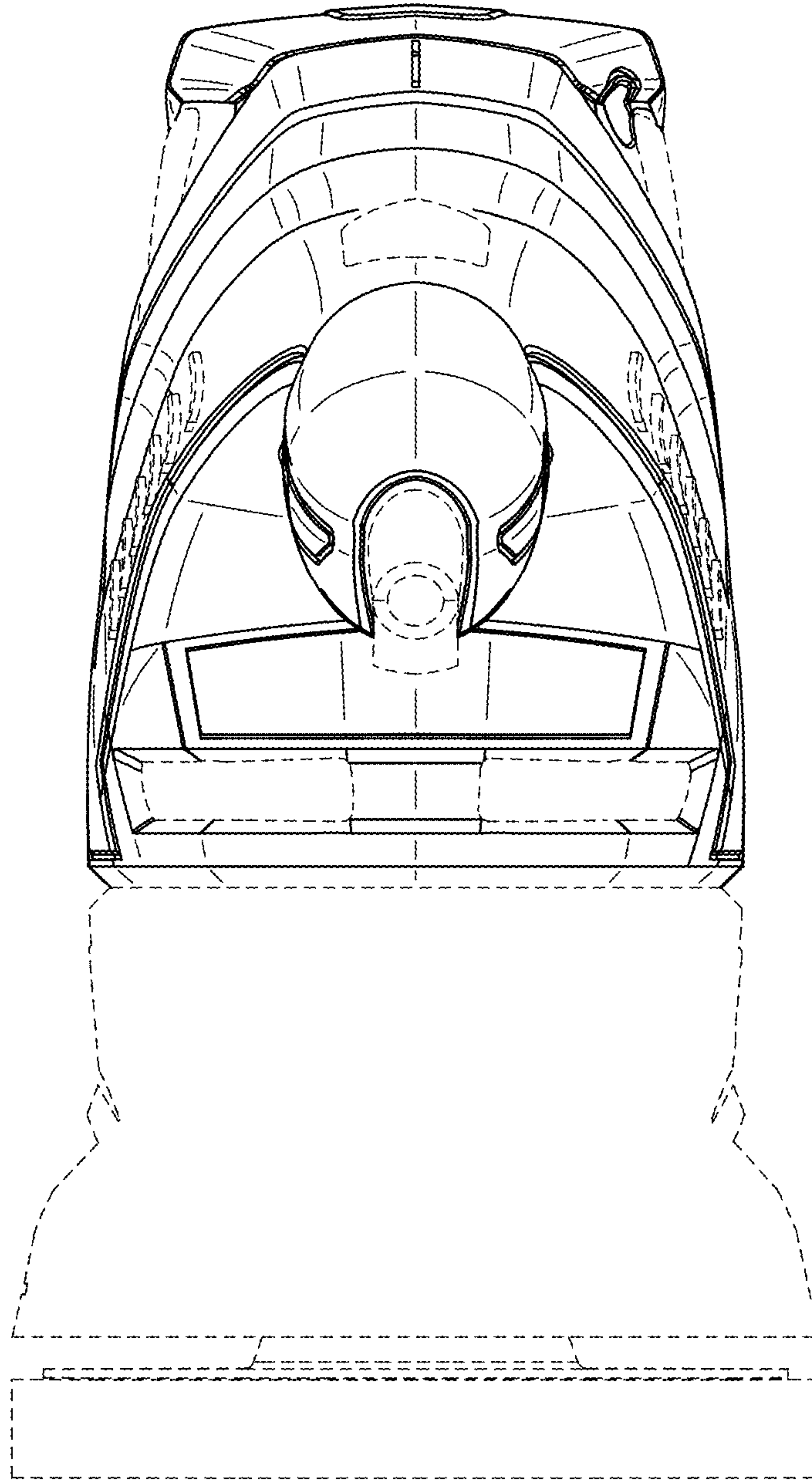


FIG. 6

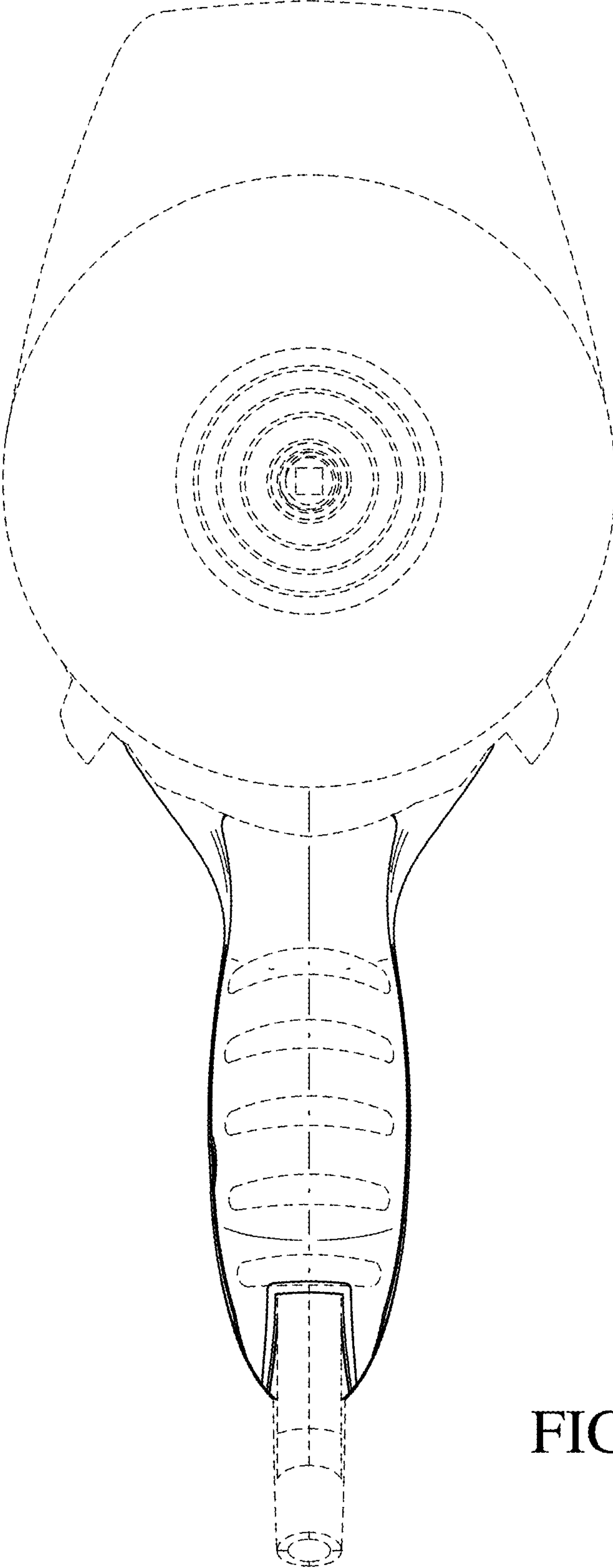


FIG. 7