



US00D887237S

(12) **United States Design Patent**  
**Huang**

(10) **Patent No.:** **US D887,237 S**

(45) **Date of Patent:** **\*\* Jun. 16, 2020**

(54) **WHEEL WEIGHT PLIERS**  
(71) Applicant: **POUL CHANG METAL INDUSTRY CO., LTD., Taichung (TW)**  
(72) Inventor: **Chia-Hao Huang, Taichung (TW)**  
(73) Assignee: **POUL CHANG METAL INDUSTRY CO., LTD., Taichung (TW)**  
(\*\*) Term: **15 Years**

2,883,153 A \* 4/1959 Abbott ..... B25B 27/0078  
254/131  
D192,721 S \* 5/1962 Mills ..... D8/81  
3,152,391 A \* 10/1964 Bjorn ..... B25B 27/0078  
29/254  
D277,071 S \* 1/1985 Malagnoux ..... D8/48  
D653,926 S \* 2/2012 Barnhart ..... D8/81  
D653,927 S \* 2/2012 Barnhart ..... D8/89  
D711,711 S \* 8/2014 Phillips, Sr. .... D8/52  
9,044,844 B1 \* 6/2015 Barnhart ..... B25B 27/0078  
D744,306 S \* 12/2015 Peirce ..... D8/52  
D776,506 S \* 1/2017 Bradley ..... D8/52  
2011/0314614 A1 \* 12/2011 Barnhart ..... B25B 27/0078  
7/100  
2018/0009095 A1 \* 1/2018 Liao ..... B25B 7/02  
2019/0240821 A1 \* 8/2019 Wetzel ..... B25B 7/123

(21) Appl. No.: **29/662,146**

(22) Filed: **Sep. 3, 2018**

(51) **LOC (12) Cl.** ..... **08-05**

(52) **U.S. Cl.**  
USPC ..... **D8/52**

(58) **Field of Classification Search**  
USPC ..... D8/4, 52, 54, 55, 56, 57, 58, 88, 89  
CPC .... B25B 7/00; B25B 7/02; B25B 7/04; B25B  
7/06; B25B 7/08; B25B 7/10; B25B 7/12;  
B25B 7/123; B25B 7/14; B25B 7/18;  
B25B 7/22; B25B 27/00; B25B 27/0035;  
B25B 27/02; F16F 15/32; F16F 15/34;  
Y10T 29/539; Y10T 29/53613  
See application file for complete search history.

(56) **References Cited**

**U.S. PATENT DOCUMENTS**

1,792,837 A \* 2/1931 Harrison ..... B25B 7/02  
81/419  
2,274,126 A \* 2/1942 Carrigan ..... B25B 27/0078  
254/131  
2,489,842 A \* 11/1949 Wochner ..... B25B 27/0078  
254/131

\* cited by examiner

*Primary Examiner* — Sandra S Snapp  
*Assistant Examiner* — Ieisha N Price

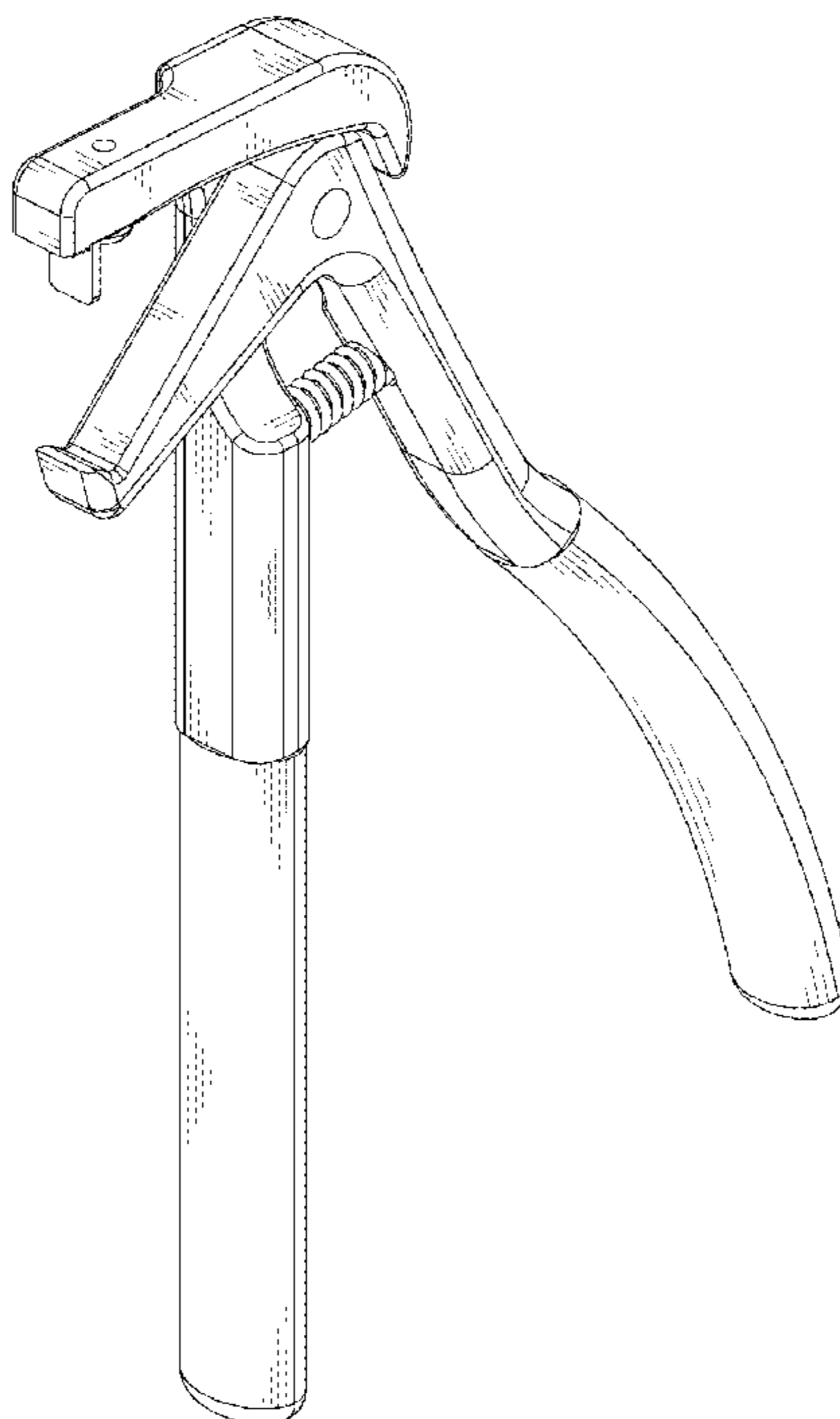
(57) **CLAIM**

The ornamental design for wheel weight pliers, as shown and described.

**DESCRIPTION**

FIG. 1 is a perspective view of a wheel weight pliers showing my new design;  
FIG. 2 is a front elevation view thereof;  
FIG. 3 is a back elevation view thereof;  
FIG. 4 is a left side view thereof;  
FIG. 5 is a right side view thereof;  
FIG. 6 is a top plan view thereof; and,  
FIG. 7 is a bottom plan view thereof.  
The broken lines in the drawings illustrate portions of the wheel weight pliers and form no part of the claimed design.

**1 Claim, 6 Drawing Sheets**



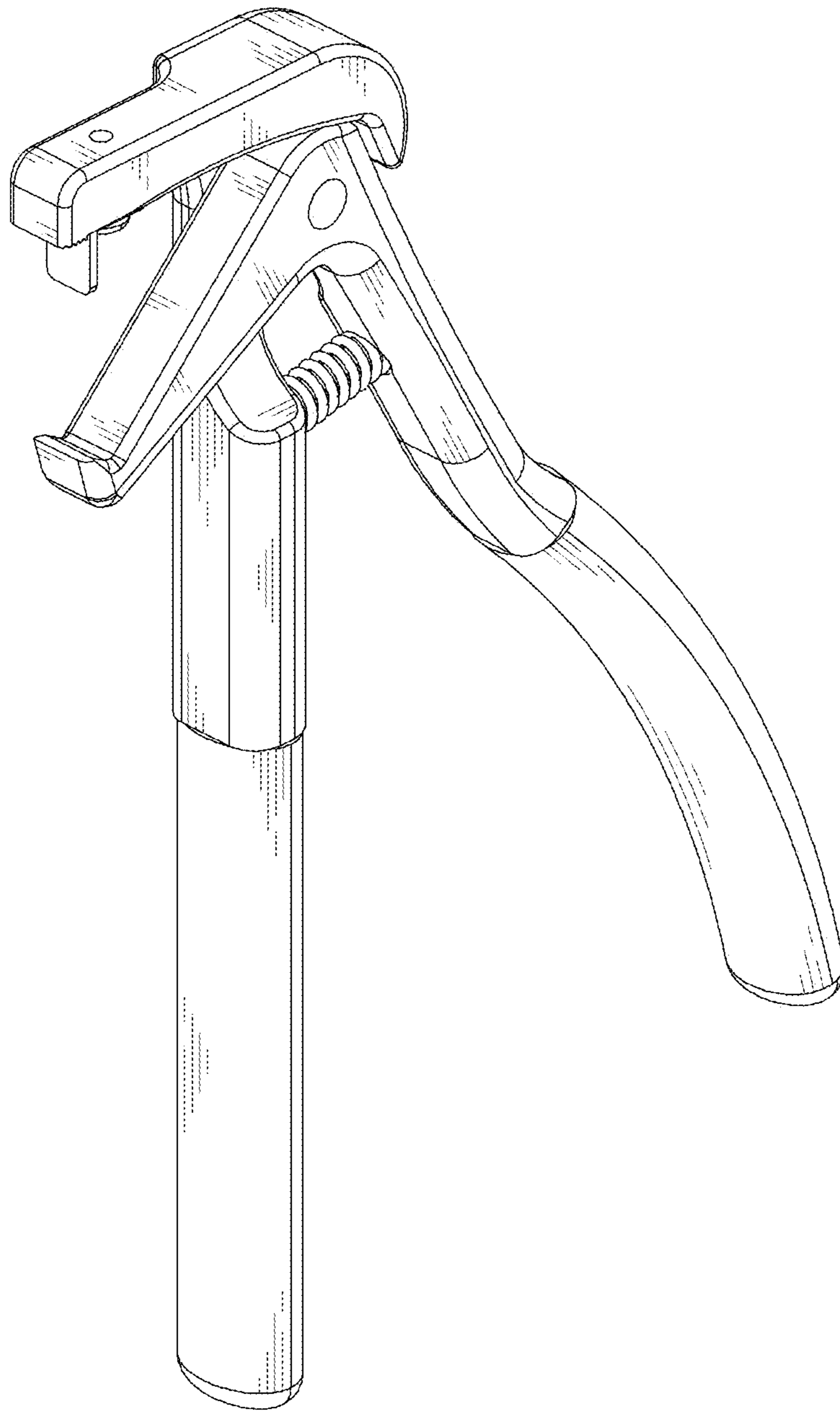


FIG. 1

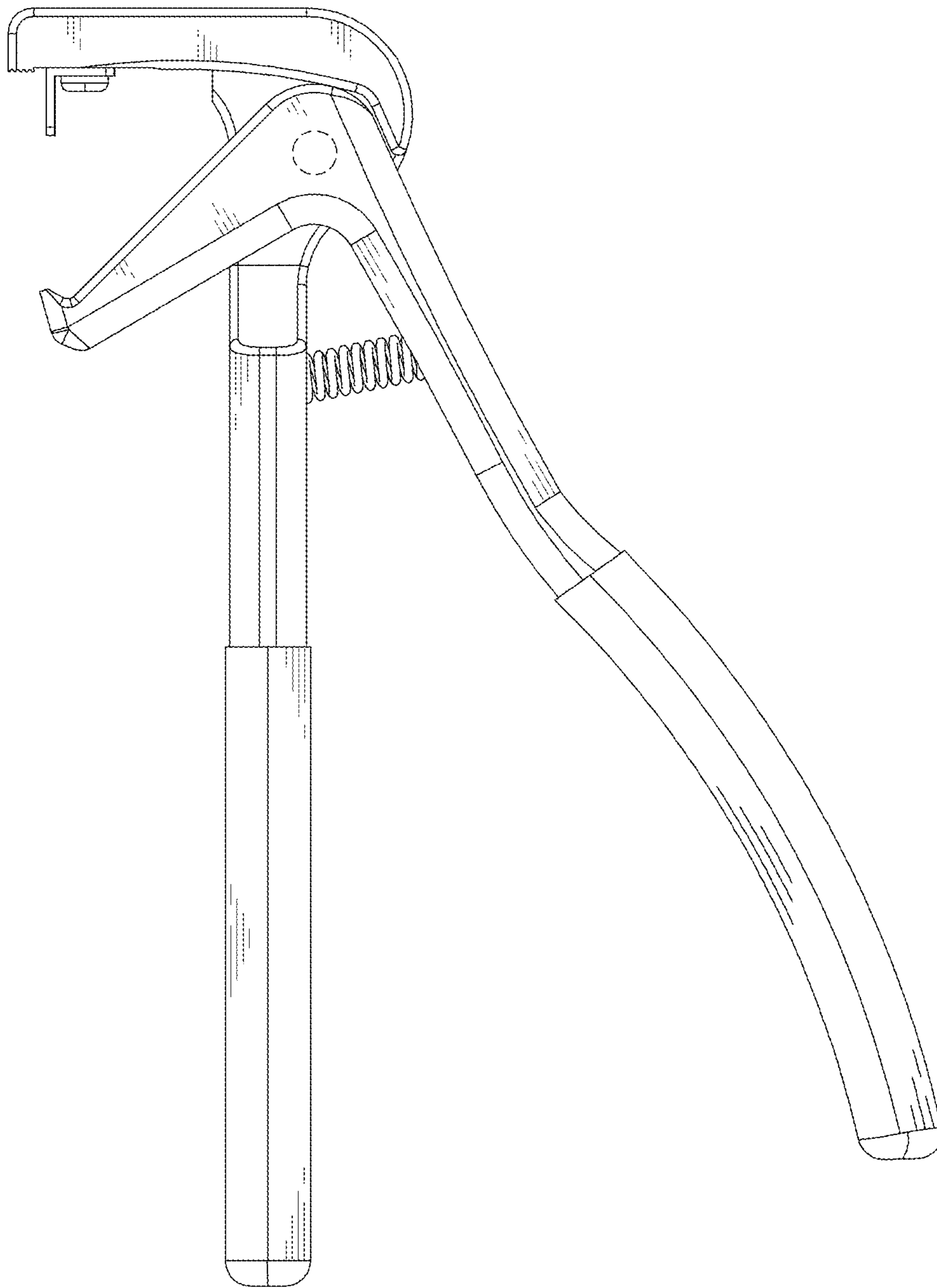


FIG. 2

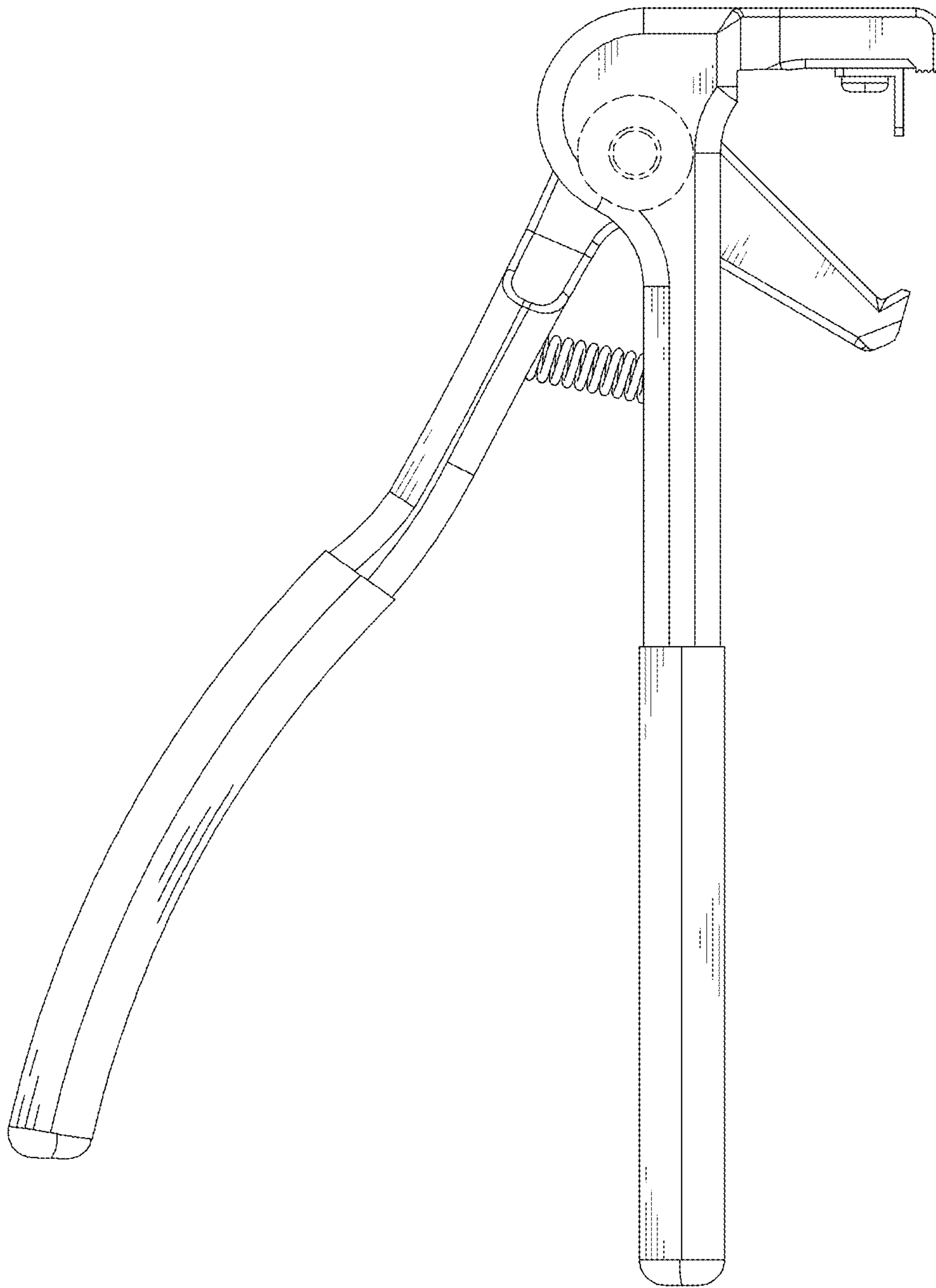


FIG. 3

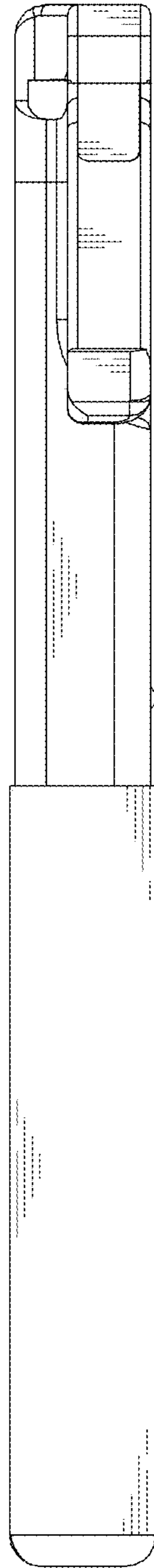


FIG. 4

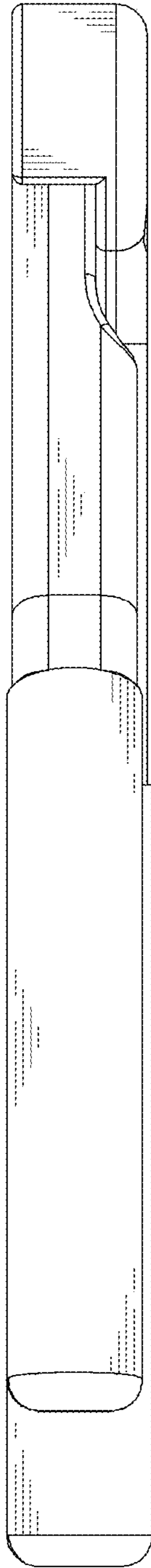


FIG. 5

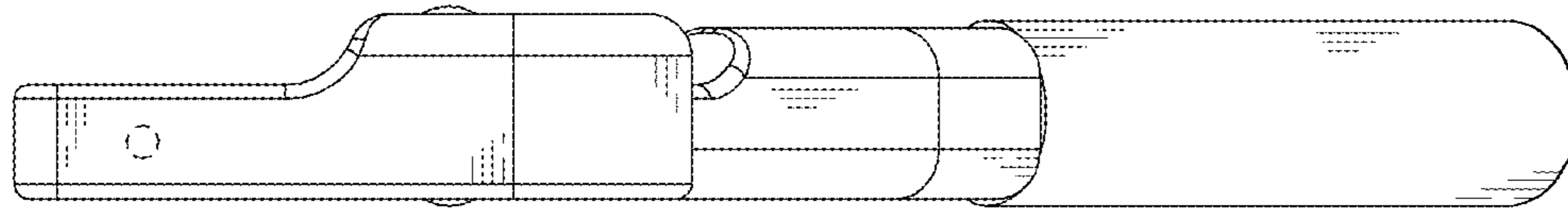


FIG. 6

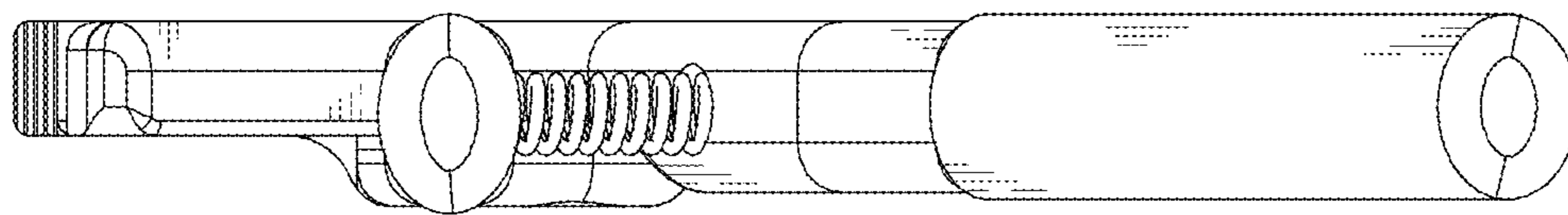


FIG. 7