



US00D887236S

(12) **United States Design Patent**
Goecke et al.

(10) **Patent No.:** **US D887,236 S**
(45) **Date of Patent:** **** Jun. 16, 2020**

(54) **FLOOR MARKING TAPE APPLICATOR**
(71) Applicant: **ShieldMark inc.**, Rocky River, OH (US)
(72) Inventors: **Adam Goecke**, Rocky River, OH (US); **Curtis Taylor**, Chagrin Falls, OH (US)
(73) Assignee: **ShieldMark, Inc.**, Rocky River, OH (US)

(**) Term: **15 Years**

(21) Appl. No.: **29/666,631**

(22) Filed: **Oct. 15, 2018**

(51) **LOC (12) Cl.** **08-05**

(52) **U.S. Cl.**
USPC **D8/51**

(58) **Field of Classification Search**
USPC D8/14, 51; D19/69
CPC E01C 23/18; E01C 23/185; B25H 37/00; B65H 35/0033
See application file for complete search history.

(56) **References Cited**

U.S. PATENT DOCUMENTS

4,623,280	A *	11/1986	Stenemann	E01C 23/18 156/541
4,923,559	A *	5/1990	Kennedy	E01C 23/185 156/523
5,772,359	A *	6/1998	Marty	E01C 23/185 156/577
6,413,013	B1 *	7/2002	Requena	E01C 23/185 156/355

8,347,932	B2 *	1/2013	Kalwara	E04D 15/04 156/577
8,424,516	B2 *	4/2013	Gray	A61M 16/04 128/203.12
9,284,699	B1 *	3/2016	Arnold	E01C 23/185
2004/0200559	A1 *	10/2004	Richards	B65H 35/0033 156/71
2006/0065346	A1 *	3/2006	Skoczylas	B65H 37/002 156/71
2011/0229265	A1 *	9/2011	Schottka	E01C 23/185 404/94
2015/0224706	A1 *	8/2015	Harkless	B29C 65/5092 156/436

* cited by examiner

Primary Examiner — Philip S Hyder

(74) *Attorney, Agent, or Firm* — FisherBroyles LLP

(57) **CLAIM**

The ornamental design for a floor marking tape applicator, as shown and described.

DESCRIPTION

FIG. 1 is an elevated, front, right perspective view of a floor marking tape applicator showing the new design, wherein a portion of the shaft is omitted.

FIG. 2 is an elevated, front, left perspective view thereof.

FIG. 3 is a right side, elevation view thereof.

FIG. 4 is a left side, elevation view thereof.

FIG. 5 is a front view thereof.

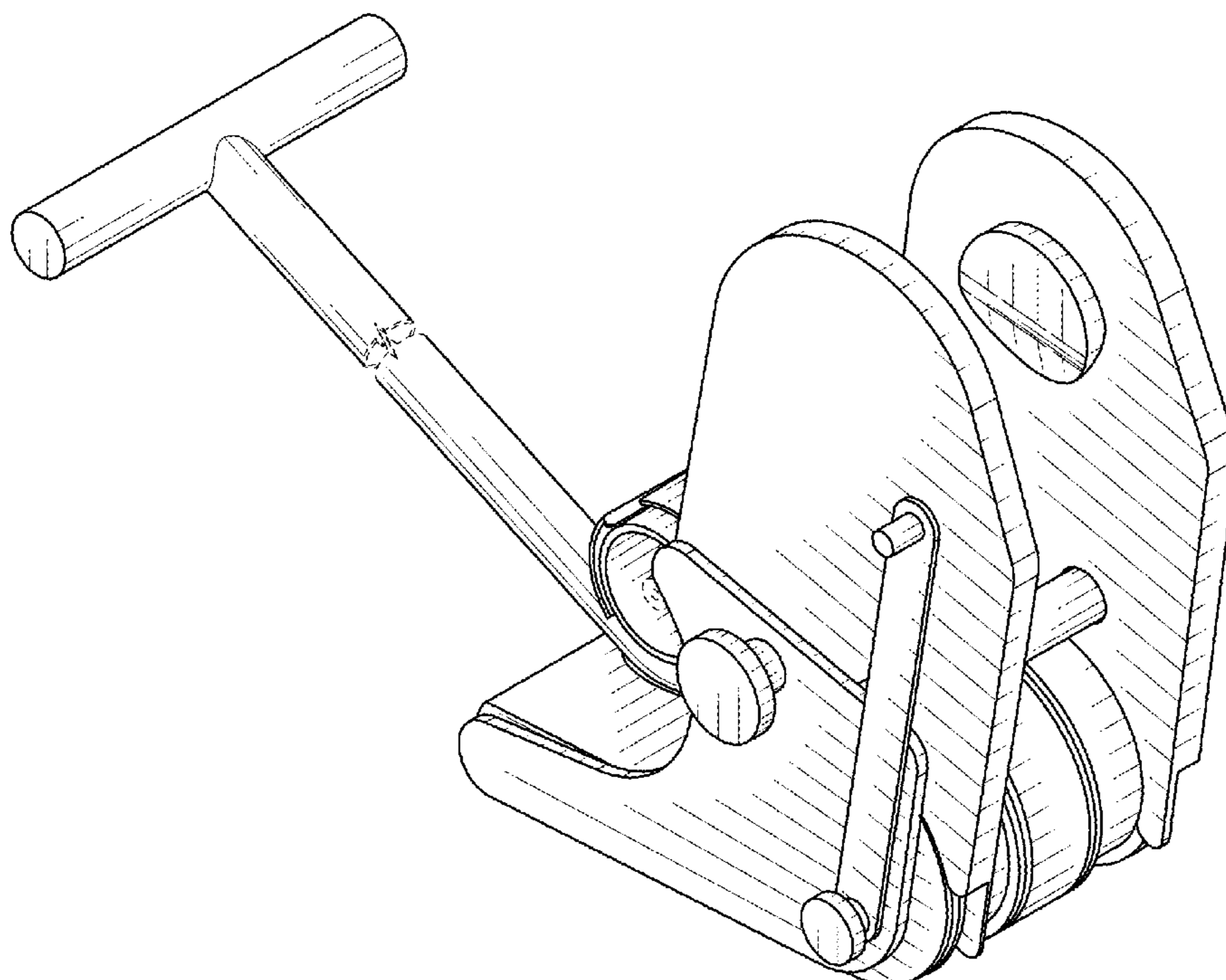
FIG. 6 is a top view thereof.

FIG. 7 is a bottom view thereof.

FIG. 8 is a rear view thereof; and,

FIG. 9 is an elevated, front, right perspective view of a floor marking tape applicator.

1 Claim, 9 Drawing Sheets



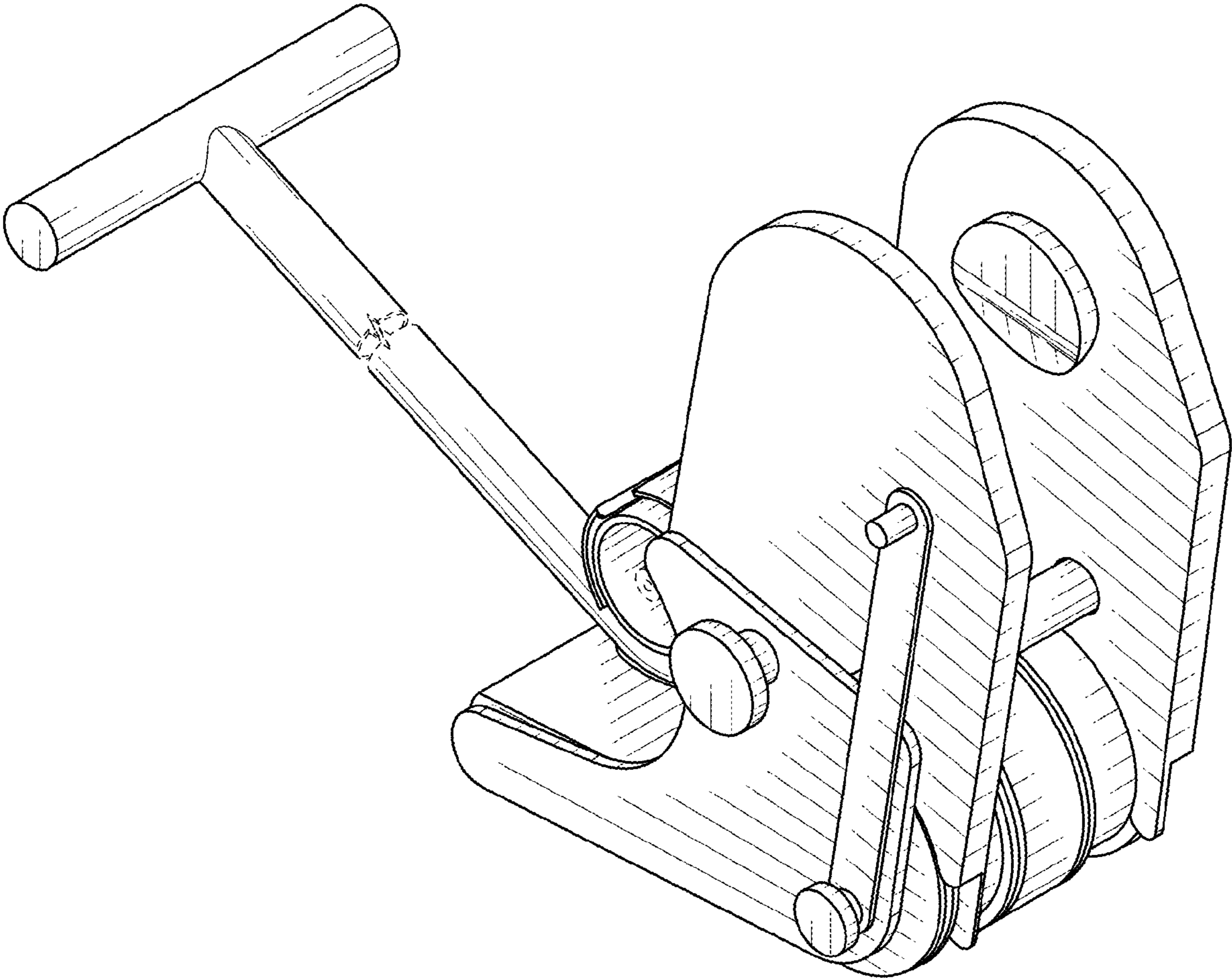


FIG. 1

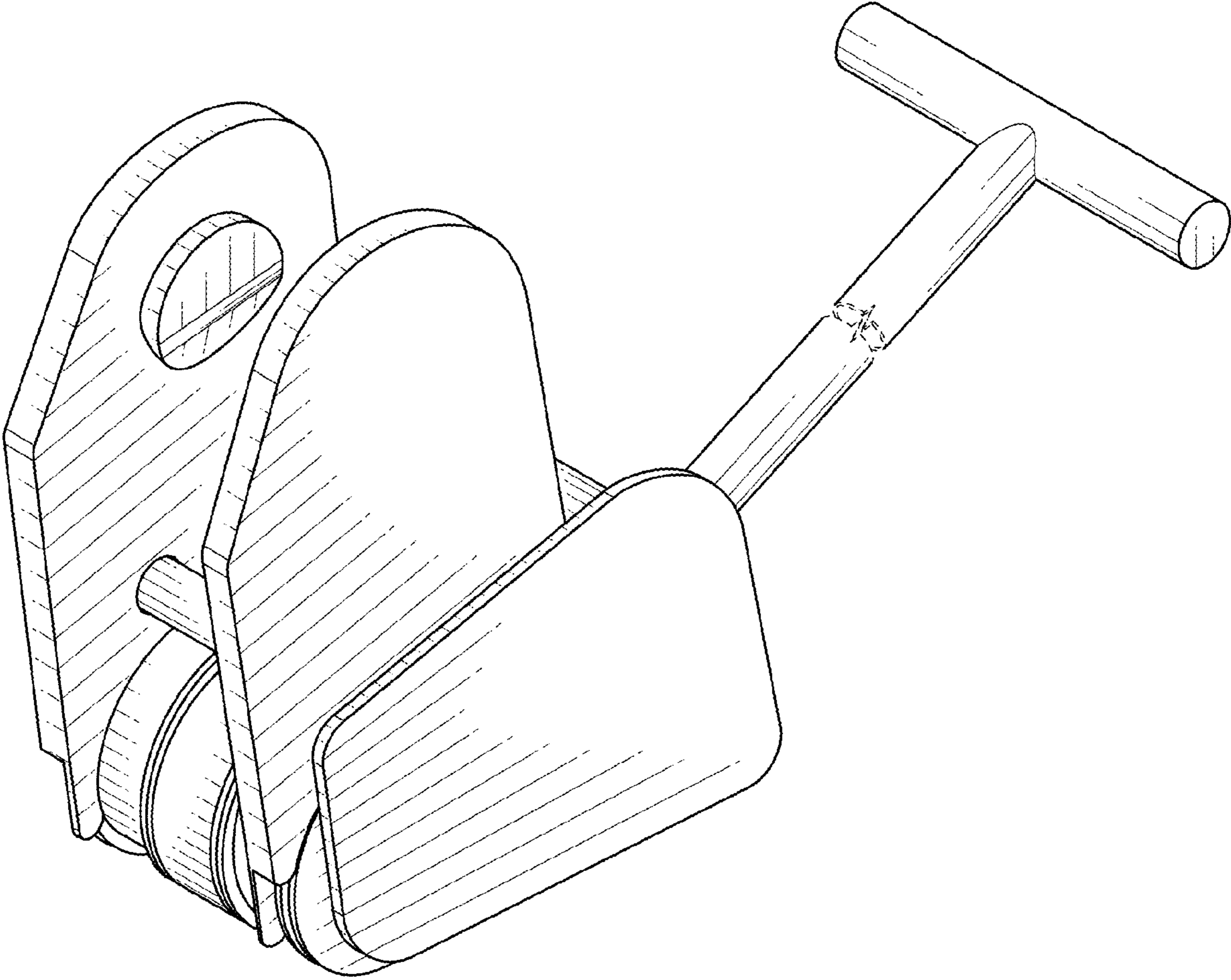


FIG. 2

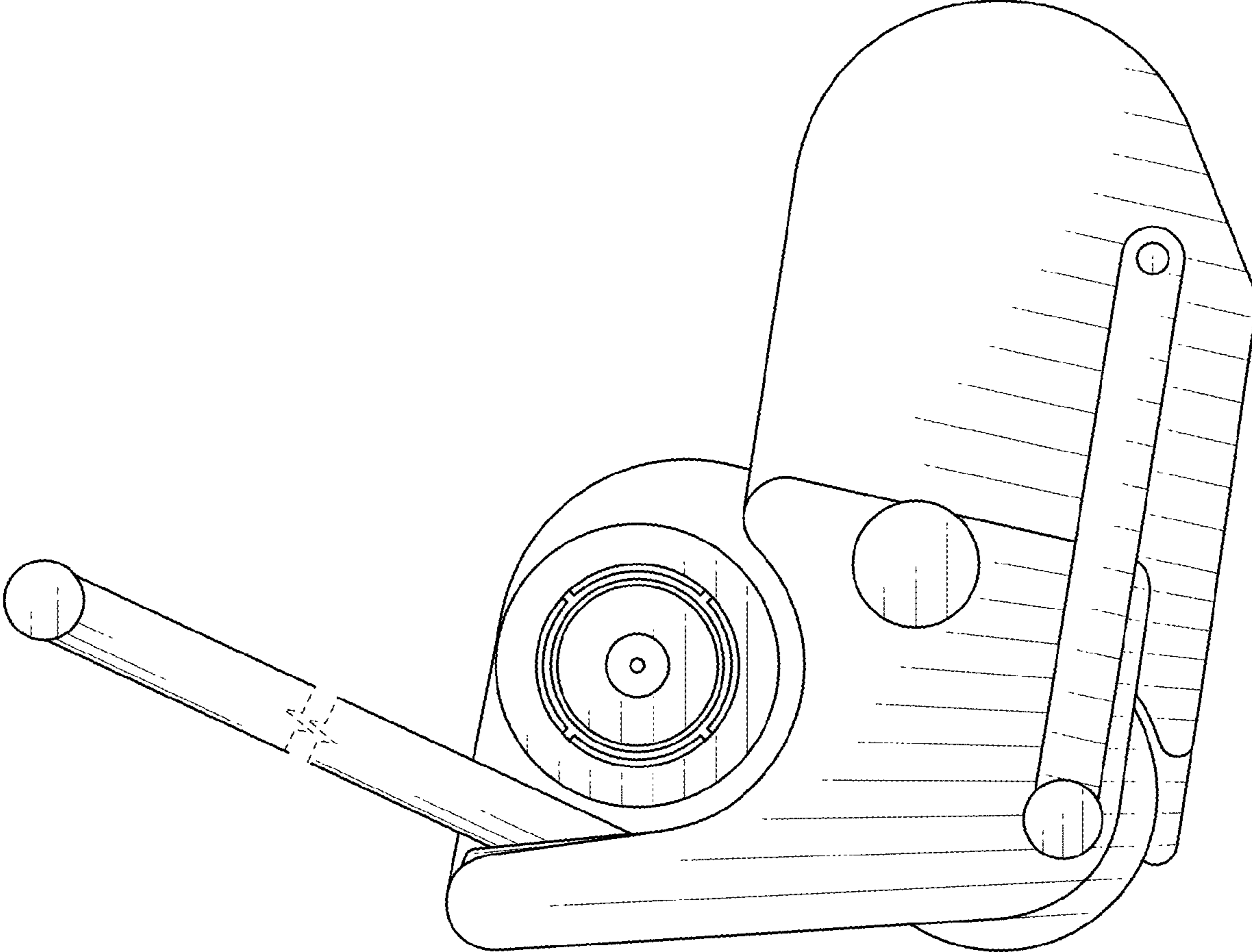


FIG. 3

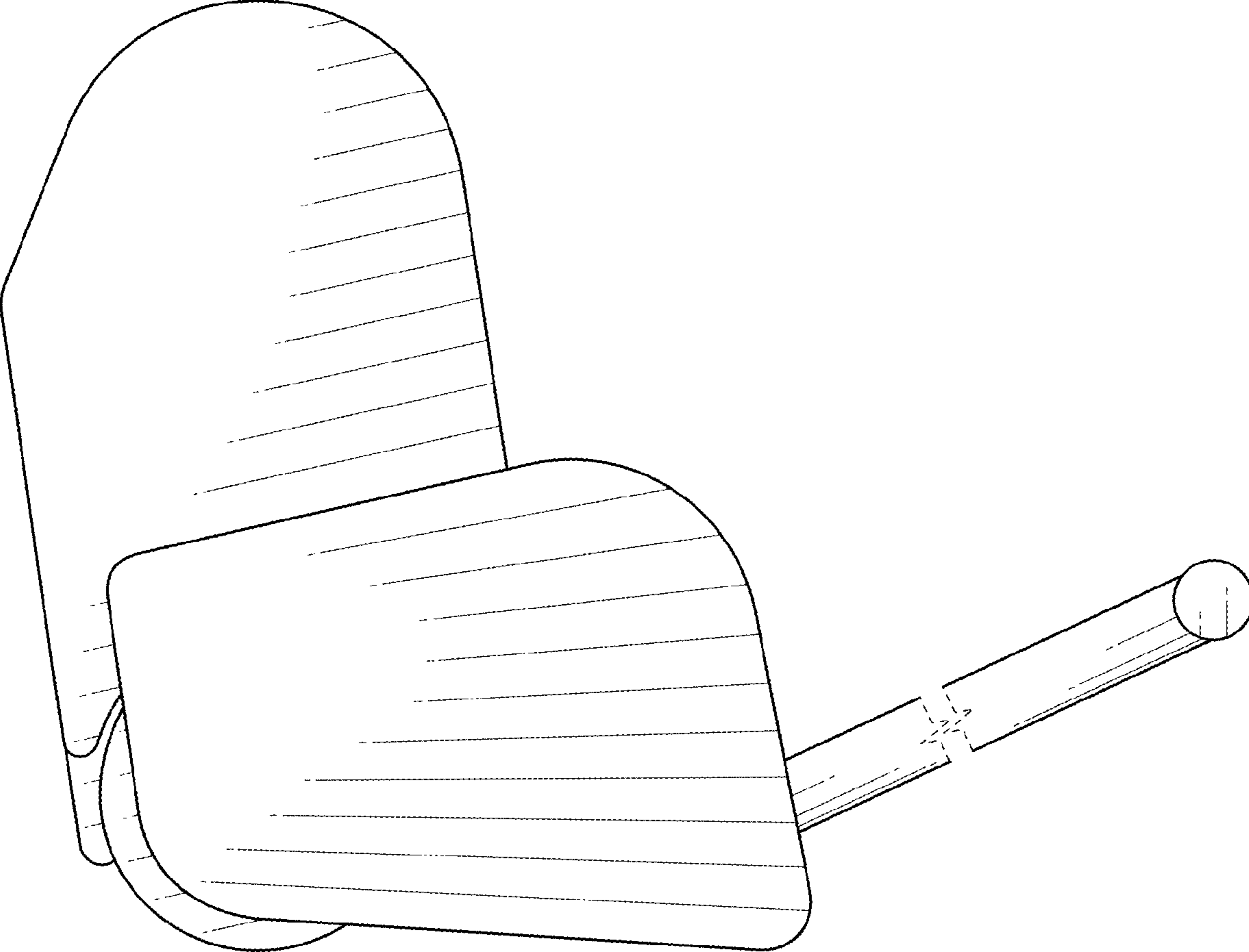


FIG. 4

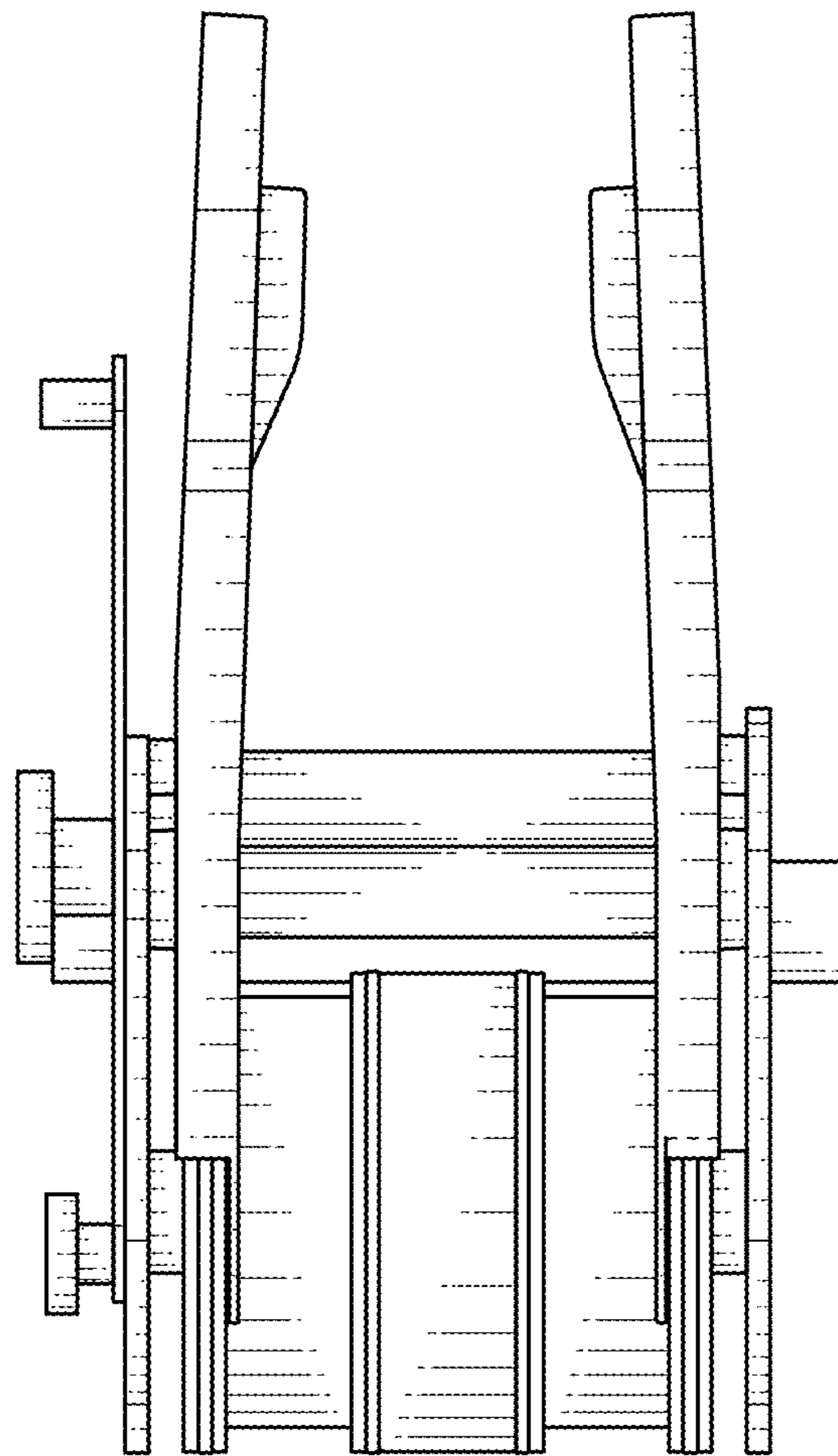


FIG. 5

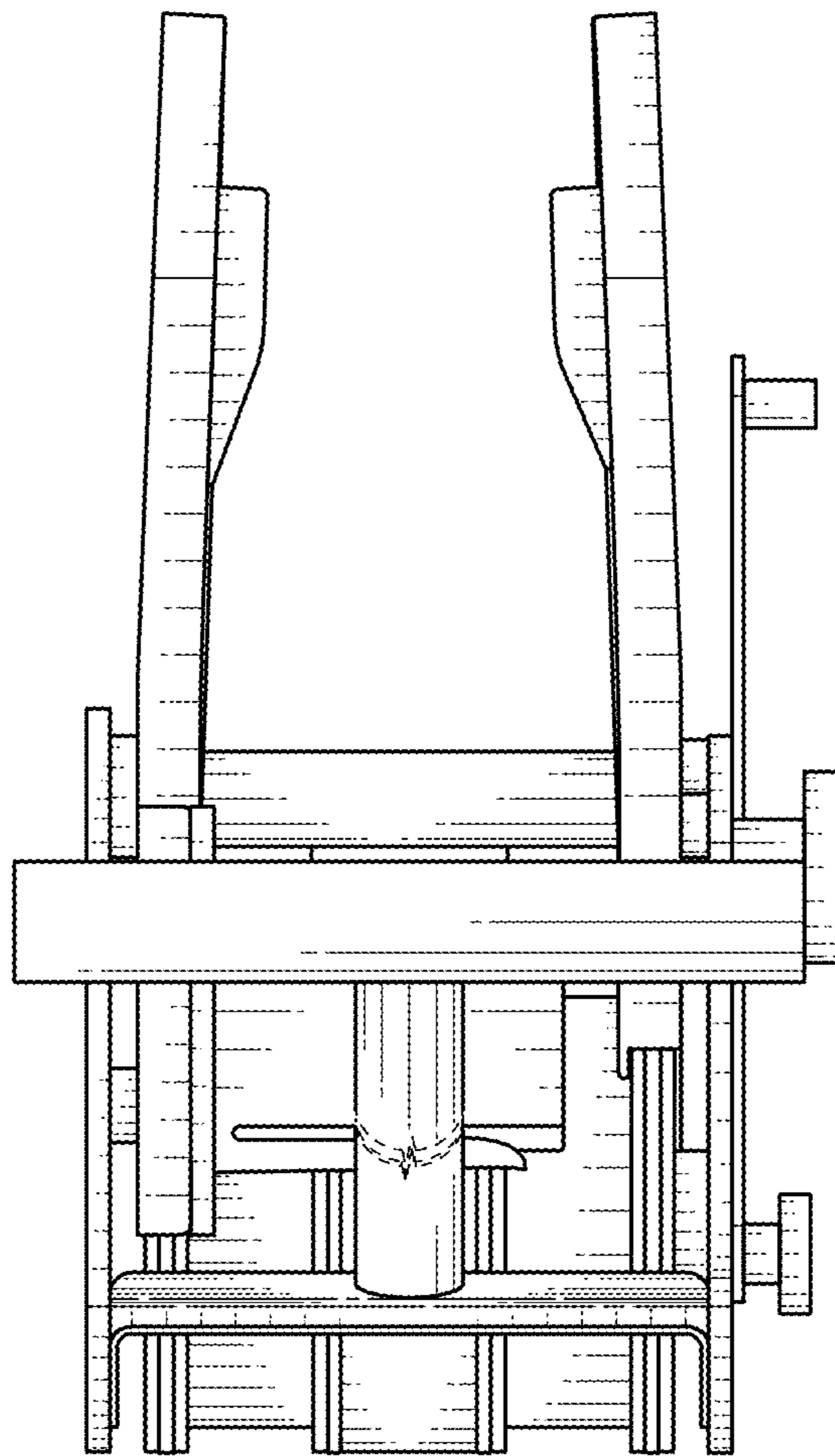


FIG. 6

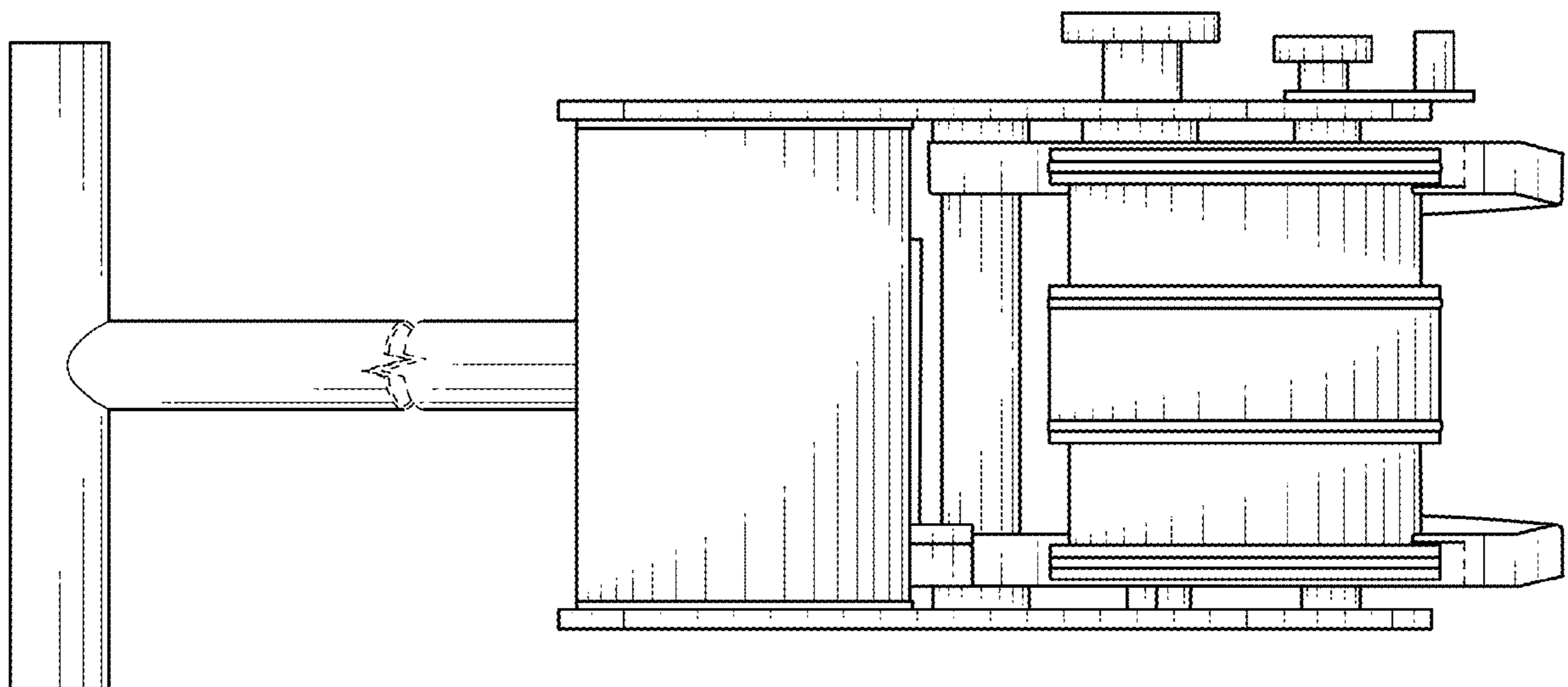


FIG. 7

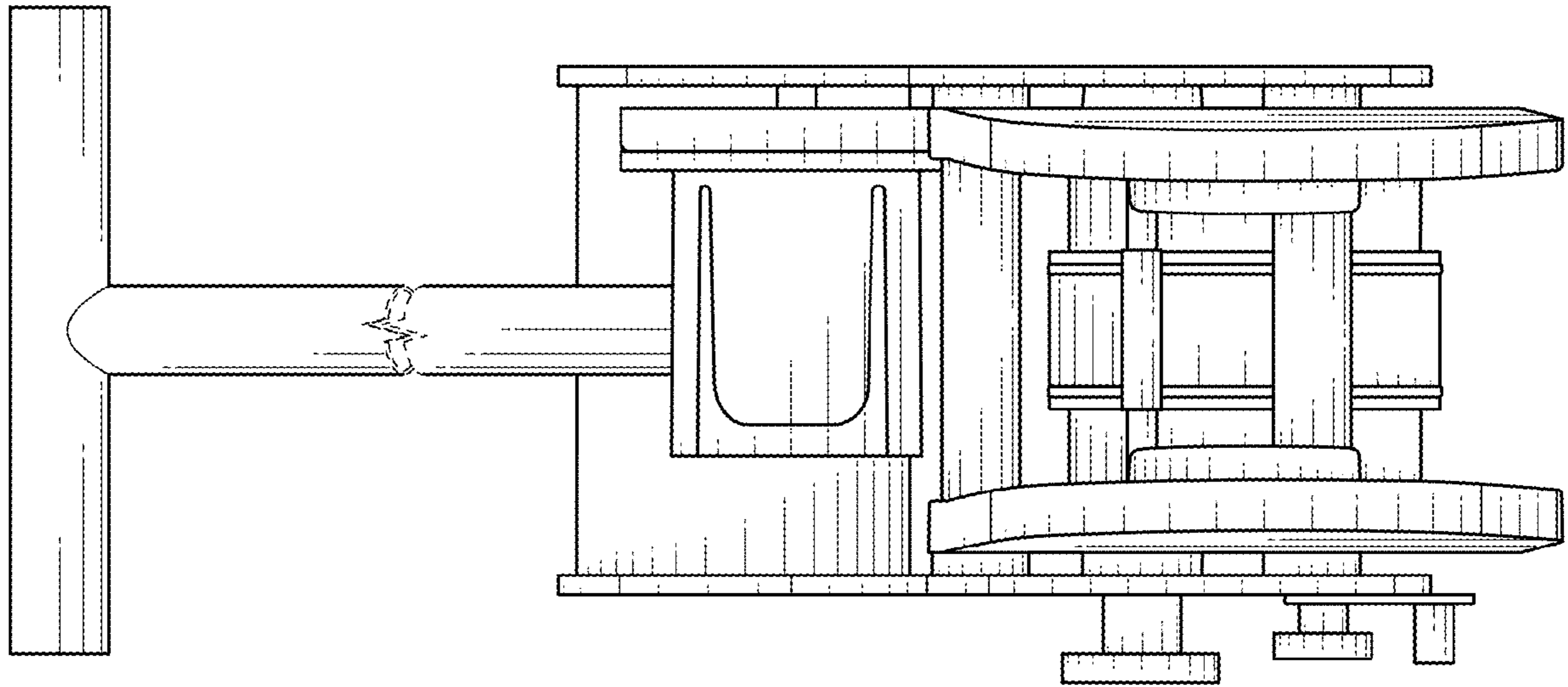


FIG. 8

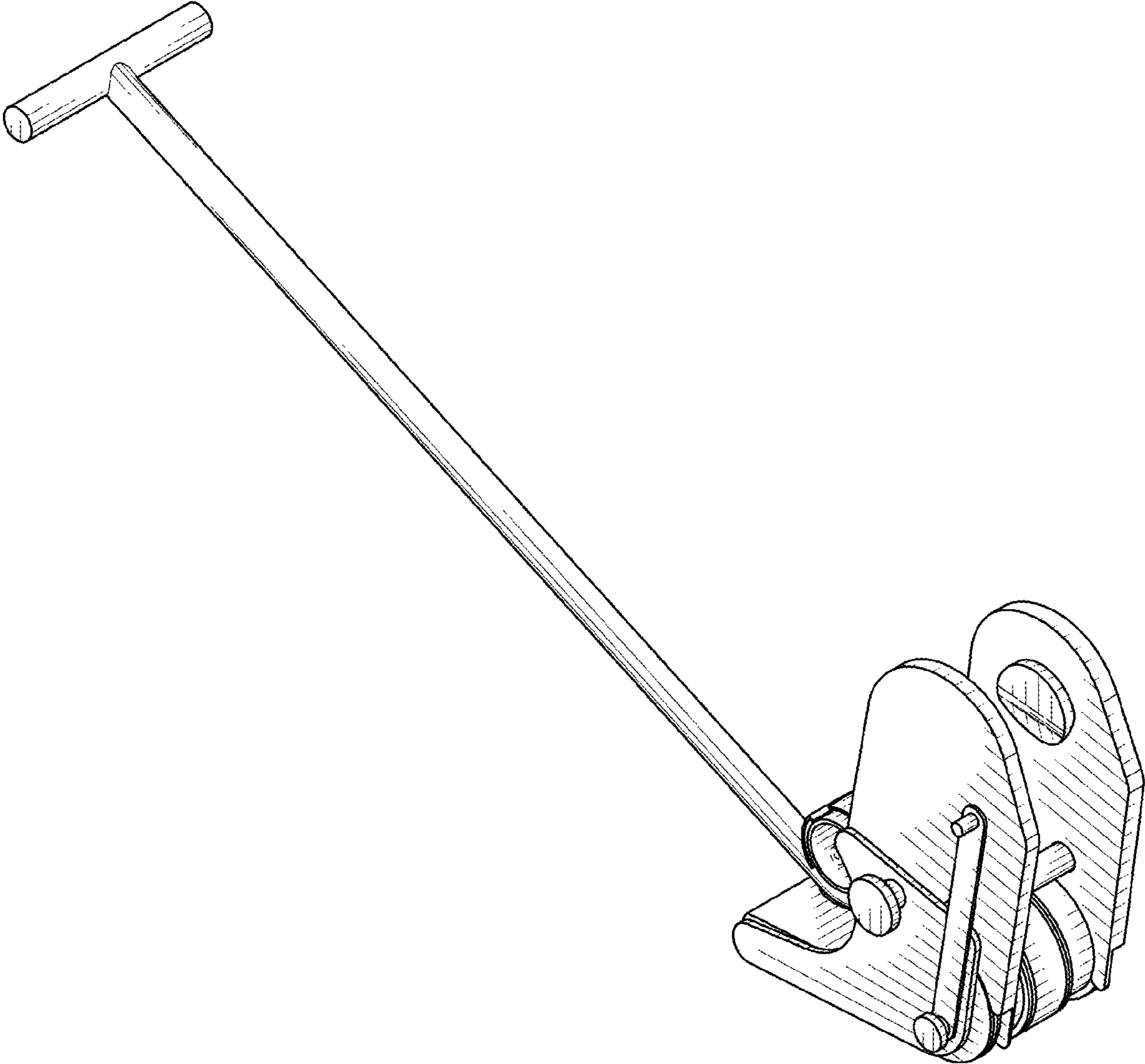


FIG. 9