



US00D887234S

(12) **United States Design Patent**  
**Katsuma**

(10) **Patent No.:** **US D887,234 S**  
(45) **Date of Patent:** **\*\* Jun. 16, 2020**

- (54) **BUCKET AND CAN OPENING TOOL**
- (71) Applicant: **LINZER PRODUCTS CORP.**, West Babylon, NY (US)
- (72) Inventor: **Takashi Katsuma**, West Babylon, NY (US)
- (73) Assignee: **LINZER PRODUCTS CORP.**, West Babylon, NY (US)
- (\*\*) Term: **15 Years**
- (21) Appl. No.: **29/681,694**
- (22) Filed: **Feb. 27, 2019**
- (51) **LOC (12) Cl.** ..... **07-99**
- (52) **U.S. Cl.**  
USPC ..... **D8/40**
- (58) **Field of Classification Search**  
USPC ..... D8/18, 33-43; D9/436, 451, 454  
CPC .... B67B 7/00; B67B 7/12; B67B 7/14; B67B 7/16; B67B 7/164; B67B 7/18; B67B 7/182; B67B 7/20; B67B 7/30; B67B 7/38; B67B 7/44  
See application file for complete search history.

5,069,090	A *	12/1991	Clark	.....	B67B 7/14
					7/105
D382,453	S *	8/1997	Drinkwater	.....	D8/18
D390,434	S *	2/1998	Aguero	.....	D8/33
D422,860	S *	4/2000	Vinar	.....	D8/40
6,199,452	B1 *	3/2001	Vinar	.....	B67B 7/14
					81/3.36
D477,523	S *	7/2003	Malvasio	.....	D8/105
D496,570	S *	9/2004	Wolf	.....	D8/18
D501,773	S *	2/2005	Kohn	.....	D8/18
D687,687	S *	8/2013	Nelson	.....	D8/14
9,016,170	B2 *	4/2015	Nelson	.....	B67B 7/18
					81/3.09
D735,542	S *	8/2015	Nelson	.....	D8/14
D791,423	S *	7/2017	Gringer	.....	D32/46
D805,867	S *	12/2017	Seiders	.....	D8/40
2003/0097909	A1 *	5/2003	Pote	.....	B67B 7/42
					81/3.4

(Continued)

*Primary Examiner* — Elizabeth A. Albert  
(74) *Attorney, Agent, or Firm* — Donald J. Ranft; Collen

(57) **CLAIM**

The ornamental design for a bucket and can opening tool, as shown and described.

**DESCRIPTION**

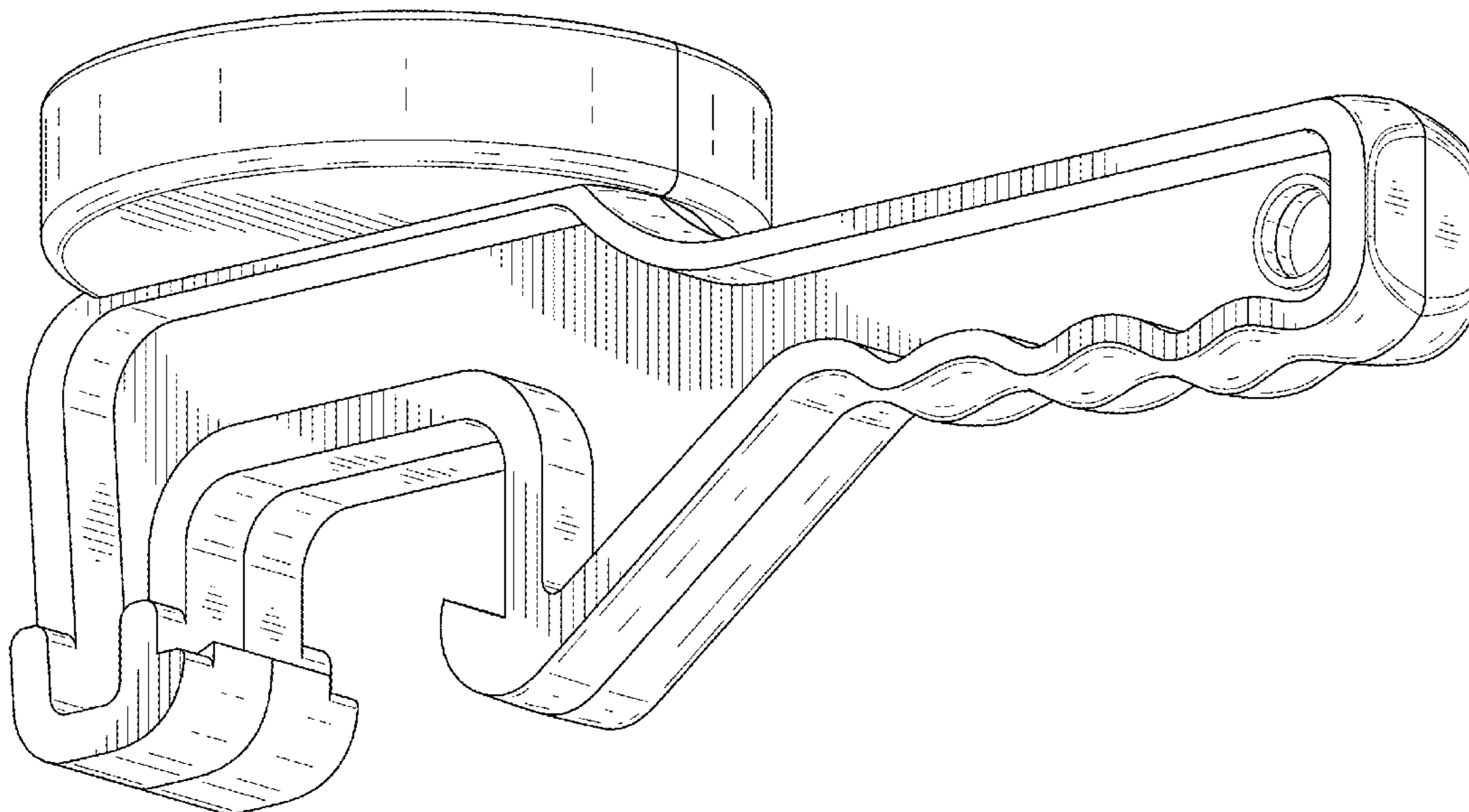
FIG. 1 is a top perspective view of a bucket and can opening tool showing my new design;  
FIG. 2 is a bottom perspective view thereof;  
FIG. 3 is a top view thereof;  
FIG. 4 is a bottom view thereof;  
FIG. 5 is a left side view thereof;  
FIG. 6 is a side view opening a lid thereof;  
FIG. 7 is a front view thereof;  
FIG. 8 is a rear view thereof; and,  
FIG. 9 is a side view opening a cap thereof.  
The portions of the figures for the container shown in broken lines form no part of the claimed design.

**1 Claim, 8 Drawing Sheets**

(56) **References Cited**

**U.S. PATENT DOCUMENTS**

1,676,648	A *	7/1928	Hardiman	.....	B67B 7/16
					81/3.57
D245,393	S *	8/1977	Madsen	.....	D8/18
D254,834	S *	4/1980	Madsen	.....	D8/18
D276,304	S *	11/1984	DiFede	.....	81/3.55
4,658,455	A *	4/1987	Skillern	.....	A47L 13/512
					248/211
D296,411	S *	6/1988	Madsen	.....	D8/18
D304,992	S *	12/1989	Matthies	.....	D8/40
D308,322	S *	6/1990	Borden	.....	D8/40
4,967,436	A *	11/1990	Russell	.....	B67B 7/44
					7/105



(56)

**References Cited**

U.S. PATENT DOCUMENTS

2011/0185858 A1\* 8/2011 Luo ..... B67B 7/44  
81/3.09

\* cited by examiner

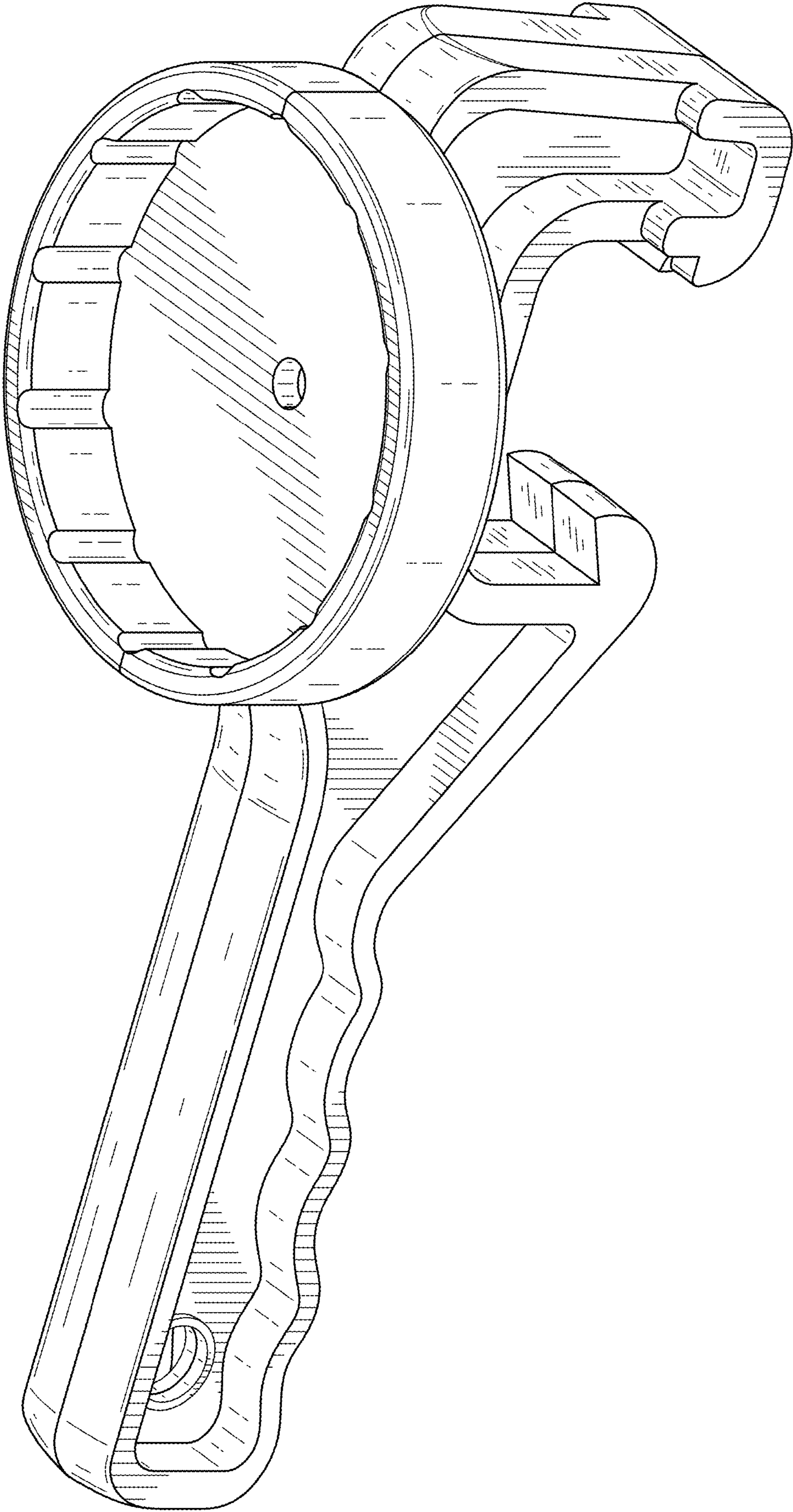


FIG. 1

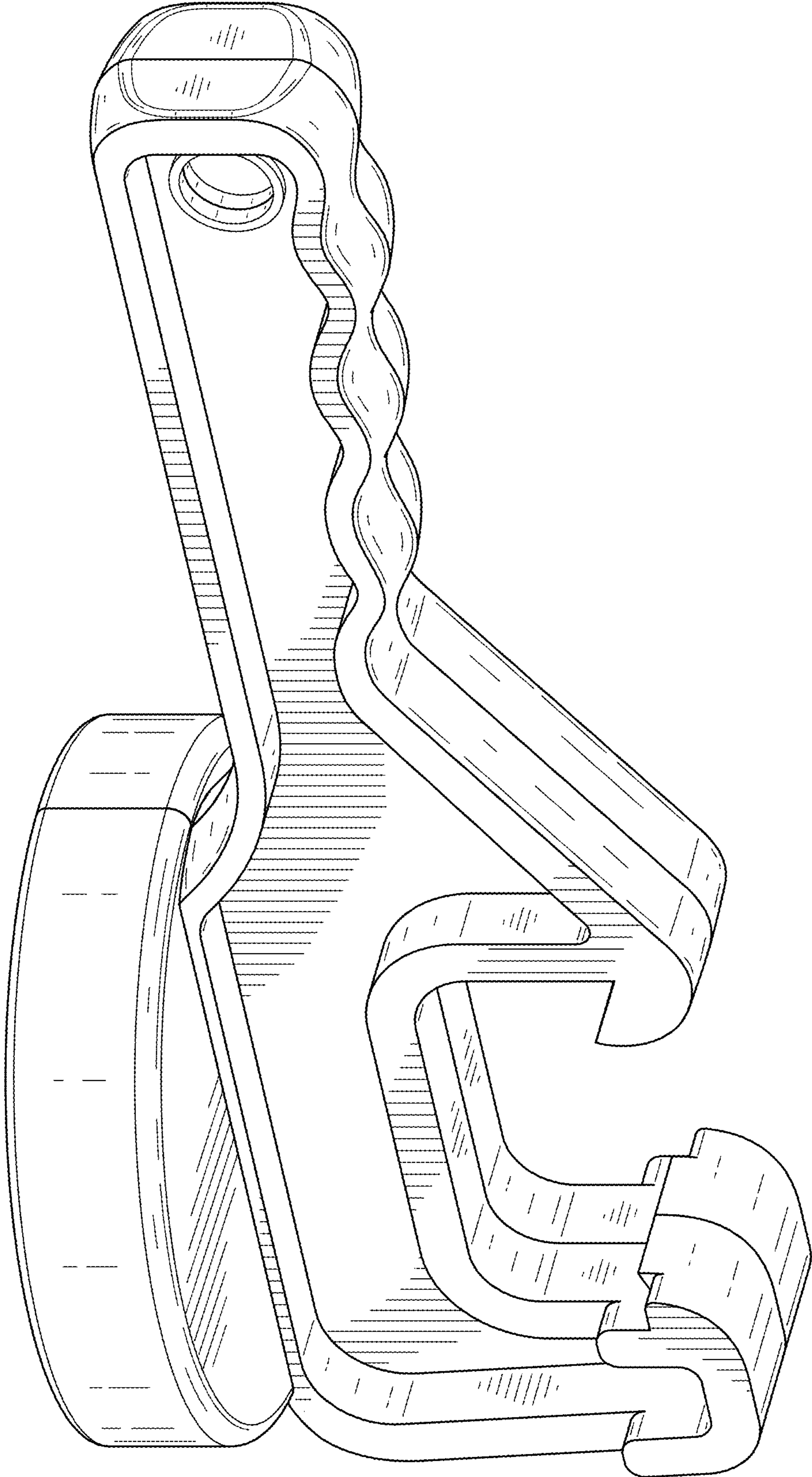


FIG. 2

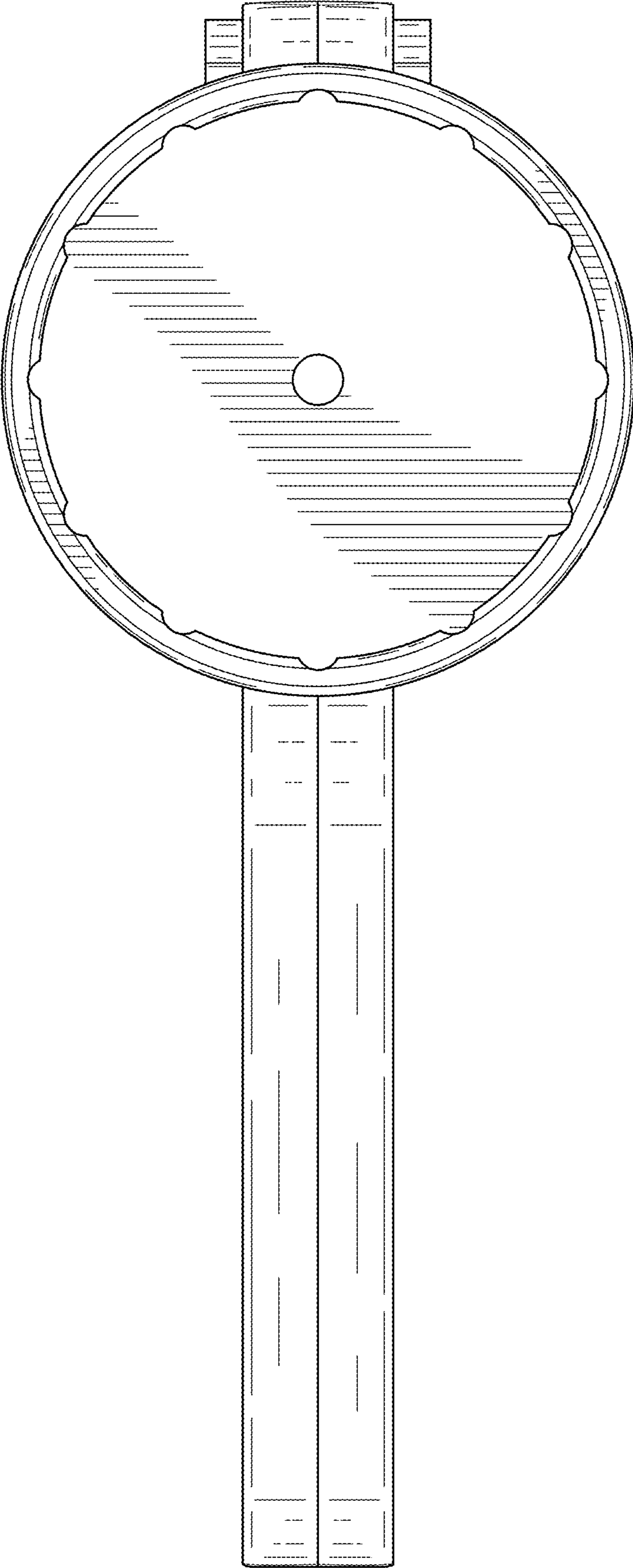


FIG. 3

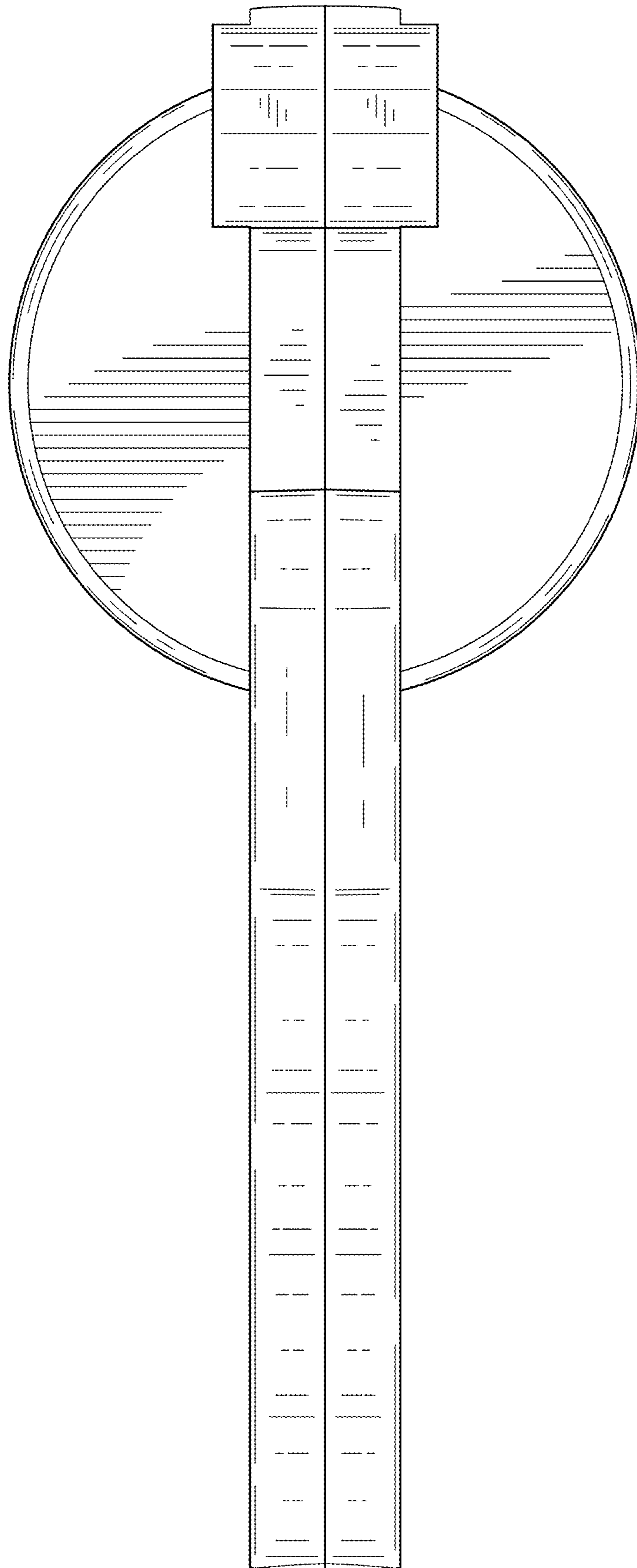


FIG. 4

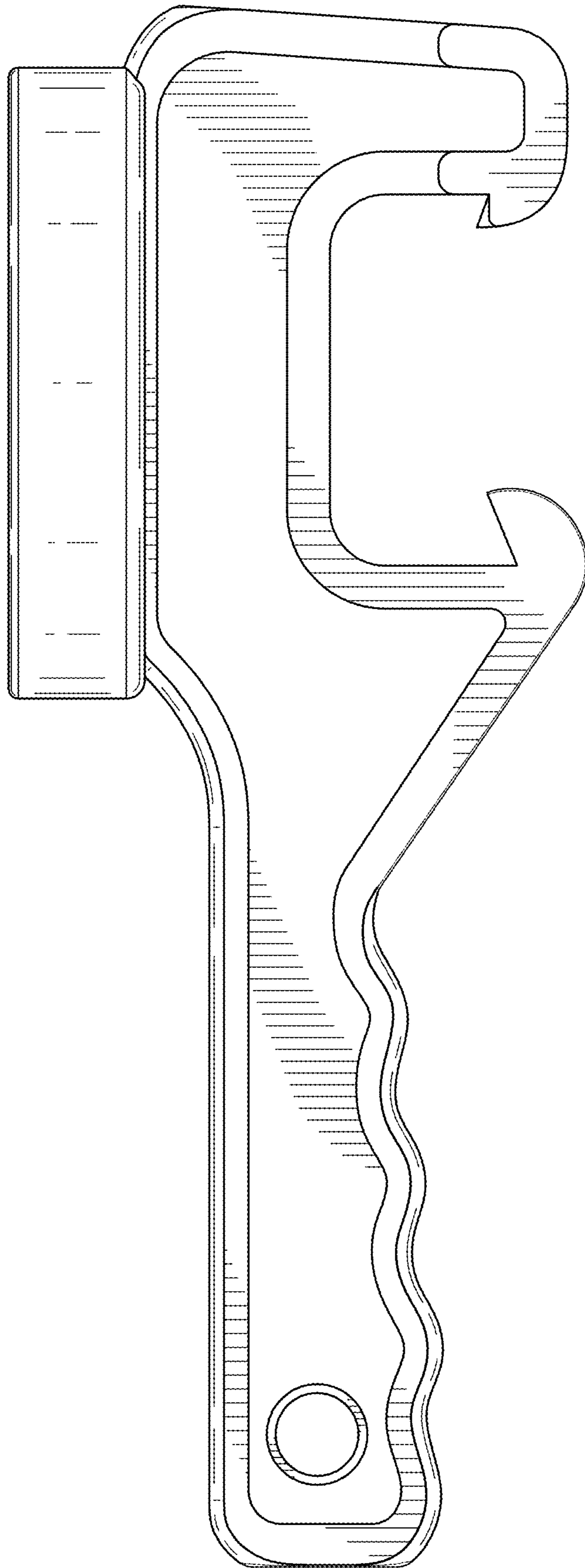


FIG. 5

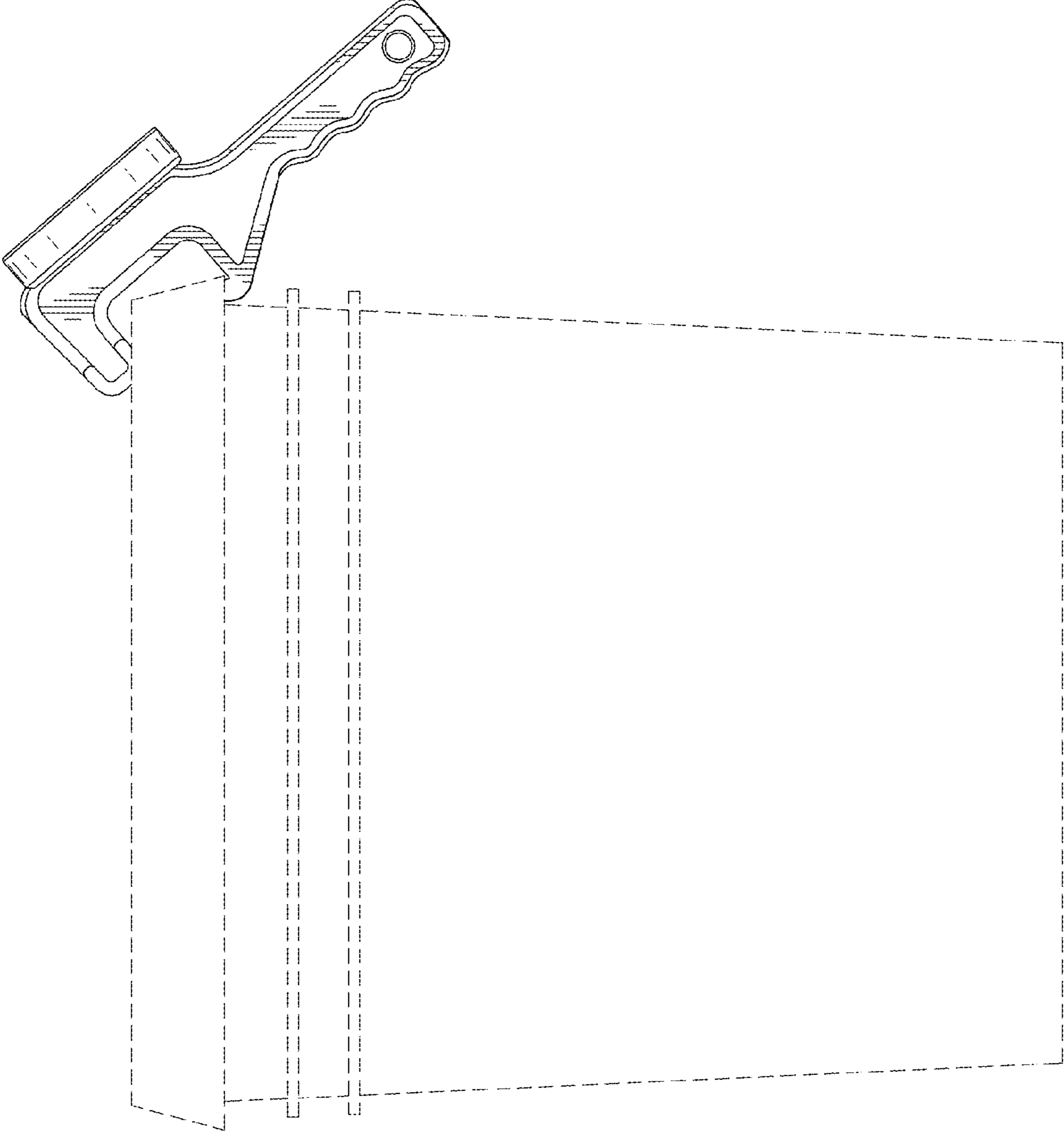


FIG. 6



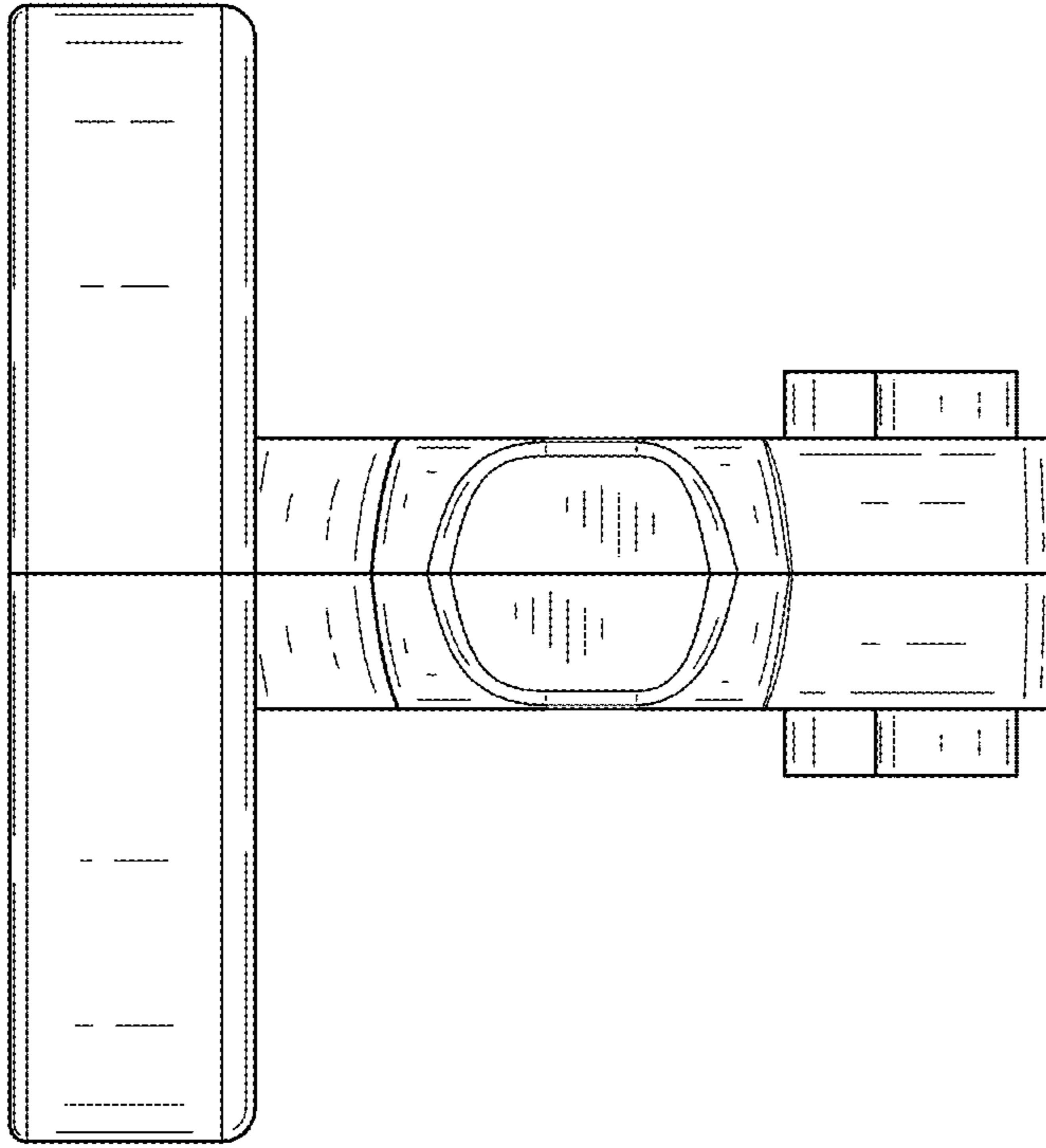


FIG. 7

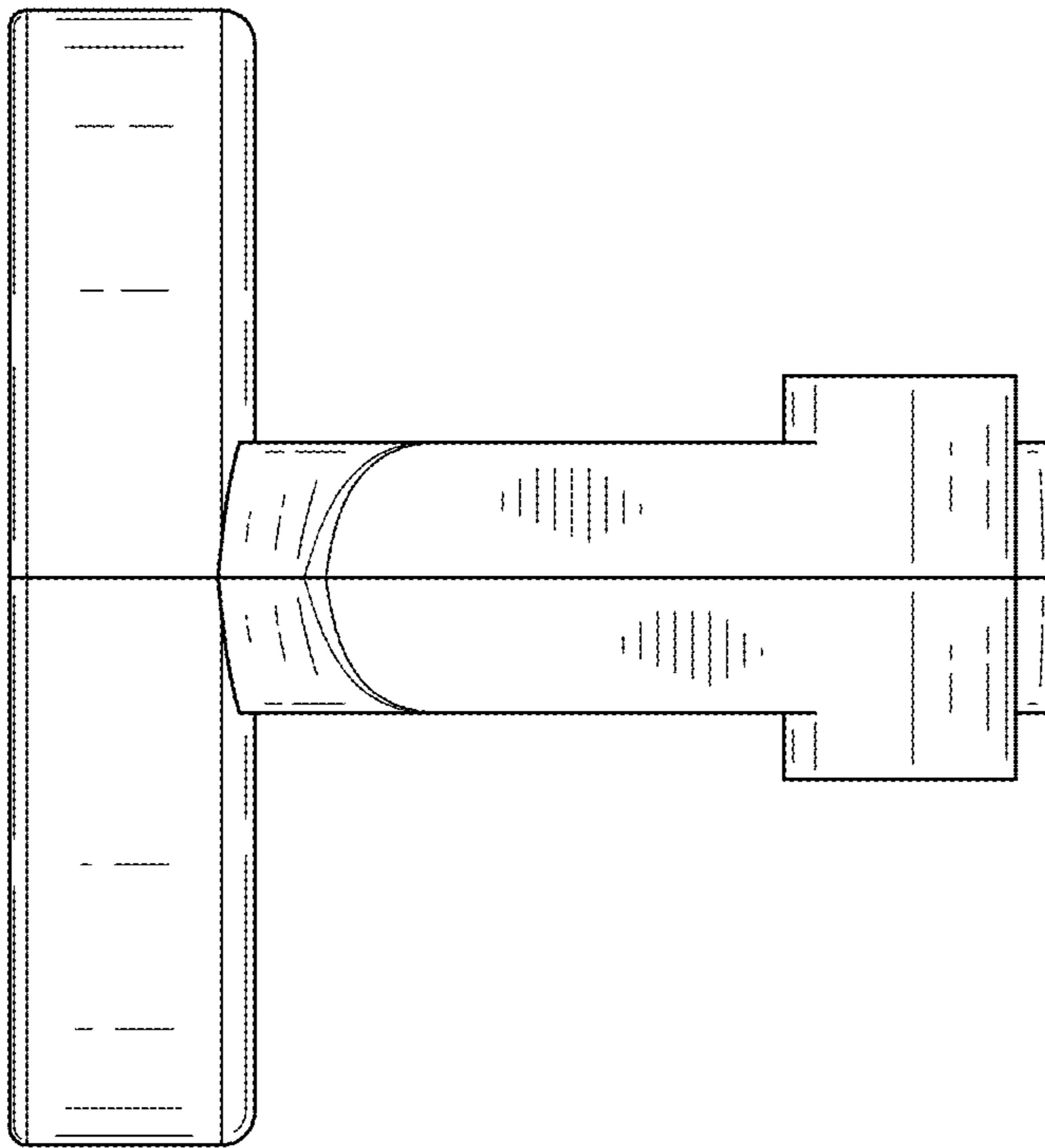


FIG. 8

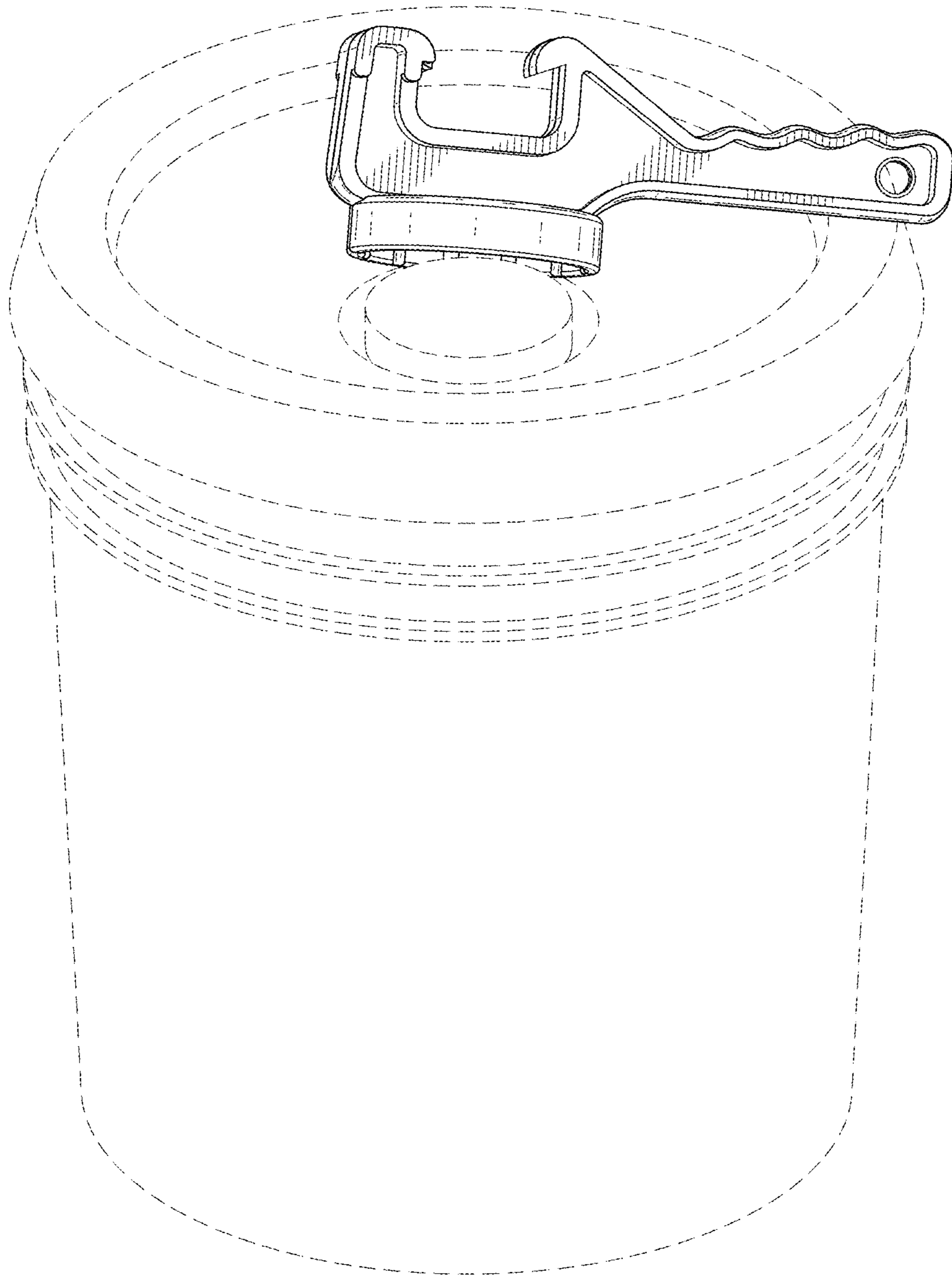


FIG. 9