



US00D887233S

(12) **United States Design Patent**
Kukucka et al.

(10) **Patent No.:** **US D887,233 S**
(45) **Date of Patent:** **** Jun. 16, 2020**

- (54) **EXTRACTOR SOCKET**
- (71) Applicant: **GRIP HOLDINGS LLC**, Brandon, FL (US)
- (72) Inventors: **Paul Kukucka**, Brandon, FL (US);
Thomas Stefan Kukucka, Brandon, FL (US)
- (73) Assignee: **GRIP HOLDINGS LLC**, Brandon, FL (US)
- (**) Term: **15 Years**
- (21) Appl. No.: **29/711,251**
- (22) Filed: **Oct. 29, 2019**

Related U.S. Application Data

- (63) Continuation-in-part of application No. 16/514,117, filed on Jul. 17, 2019, and a continuation-in-part of application No. 16/255,341, filed on Jan. 23, 2019, which is a continuation-in-part of application No. 16/107,842, filed on Aug. 21, 2018, and a continuation-in-part of application No. 15/601,864, filed on May 22, 2017.
- (51) **LOC (12) Cl.** **08-05**
- (52) **U.S. Cl.**
USPC **D8/29**
- (58) **Field of Classification Search**
USPC D8/29
CPC B25B 13/06; B25B 13/065
See application file for complete search history.

References Cited

U.S. PATENT DOCUMENTS

- 1,289,558 A * 12/1918 Sedgley B25B 13/56
81/124.5
- D160,267 S * 9/1950 McCammon et al. D8/29
- 2,605,665 A * 8/1952 Grenat B25F 1/00
81/124.4

- 3,125,910 A * 3/1964 Kavalor B25B 13/04
81/124.3
- 4,126,063 A 11/1978 Palmer
- 5,219,392 A * 6/1993 Ruzicka B25B 13/04
81/121.1
- D363,011 S * 10/1995 Gruner D8/29
- D375,666 S * 11/1996 Mountain D8/25

(Continued)

FOREIGN PATENT DOCUMENTS

AU	2017271372	5/2017
WO	DM091188	5/2016
WO	DM091189	5/2016

Primary Examiner — Holly E Thurman

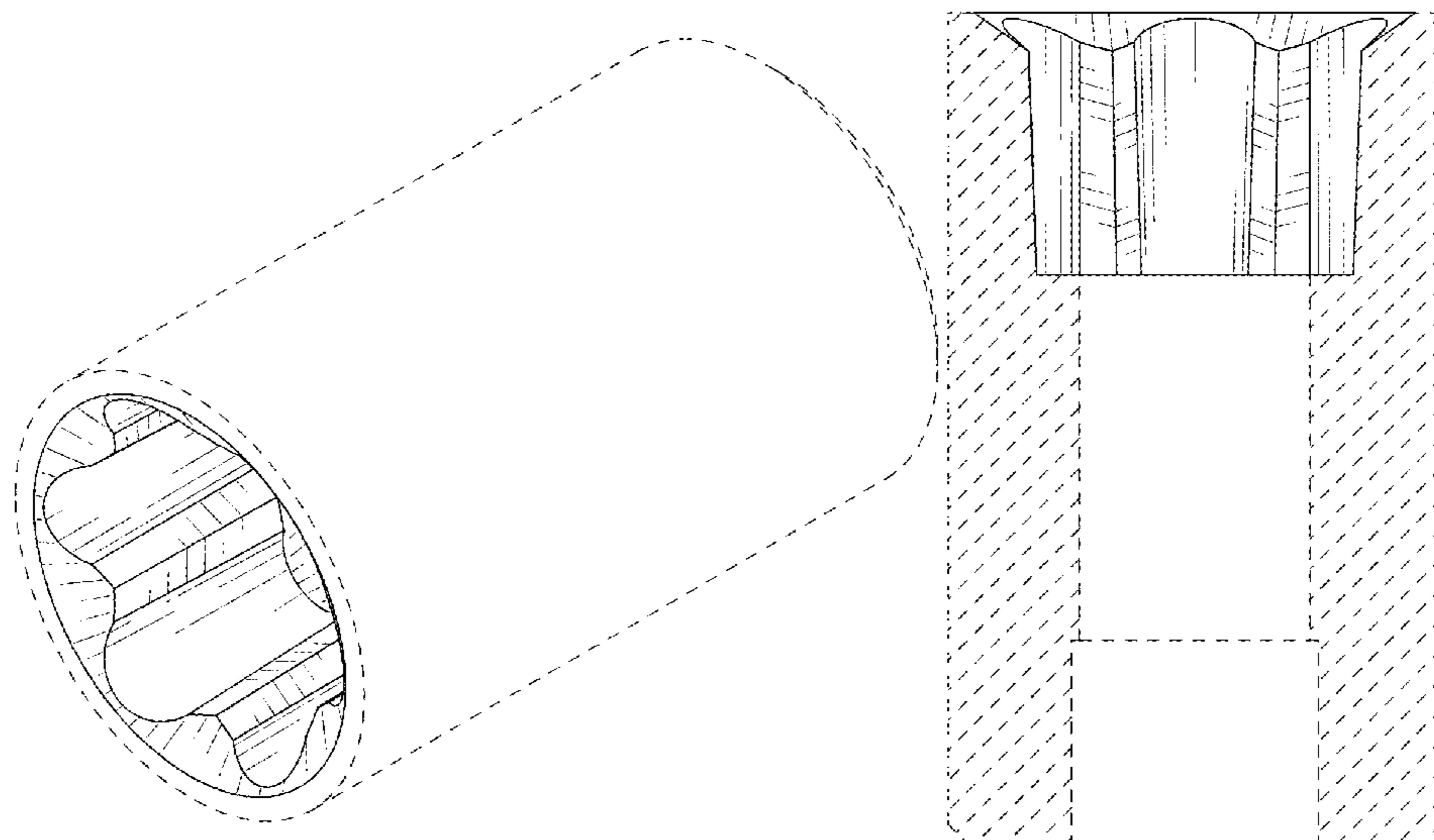
(57) **CLAIM**

The ornamental design for extractor socket, as shown and described.

DESCRIPTION

FIG. 1 is a top-front-left perspective view of a extractor socket showing our new design;
 FIG. 2 is a bottom-rear-right perspective view thereof;
 FIG. 3 is a front elevational view thereof;
 FIG. 4 is a rear elevational view thereof;
 FIG. 5 is a right-side elevational view thereof;
 FIG. 6 is a left-side elevational view thereof;
 FIG. 7 is a top plan view thereof;
 FIG. 8 is a bottom plan view thereof;
 FIG. 9 is a cross-sectional view taken along line 9-9 in FIG. 7;
 FIG. 10 is a cross-sectional view taken along line 10-10 in FIG. 8; and,
 FIG. 11 is a detail view of area 11 in FIG. 3.
 The broken line showing the tool body in FIGS. 1 through 10; the driver-receiving socket in FIGS. 2, 4, 9, and 10; and the central shaft shown in FIGS. 2, 4, 9, and 10 is included for the purpose of showing environmental structure and form no part of the claimed design.

1 Claim, 11 Drawing Sheets



(56)

References Cited

U.S. PATENT DOCUMENTS

D398,823	S *	9/1998	Hsieh	D8/29
6,098,501	A	8/2000	Sundstrom	
6,598,498	B1	7/2003	Pigford et al.	
D522,821	S *	6/2006	Hsieh	D8/29
D524,615	S *	7/2006	Albertson	D8/29
D526,172	S	8/2006	Lin	
D550,049	S *	9/2007	Peng	D8/29
D550,050	S *	9/2007	Peng	D8/29
D585,255	S *	1/2009	Hu	D8/29
D597,809	S *	8/2009	Hsieh	D8/29
D632,149	S *	2/2011	Li	D8/29
D709,343	S *	7/2014	Huang	D8/29
D745,813	S	12/2015	Hsieh	
D745,814	S	12/2015	Hsieh	
D749,384	S	1/2016	Chang	
9,687,968	B2	6/2017	Doroslovac et al.	
D794,405	S	8/2017	Doroslovac et al.	
D823,083	S	7/2018	Lee	
D828,130	S	9/2018	Lee	
2003/0196522	A1 *	10/2003	Hu	B25B 13/463 81/63.2
2015/0314429	A1	11/2015	Doroslovac	
2017/0252905	A1	9/2017	Doroslovac et al.	

* cited by examiner

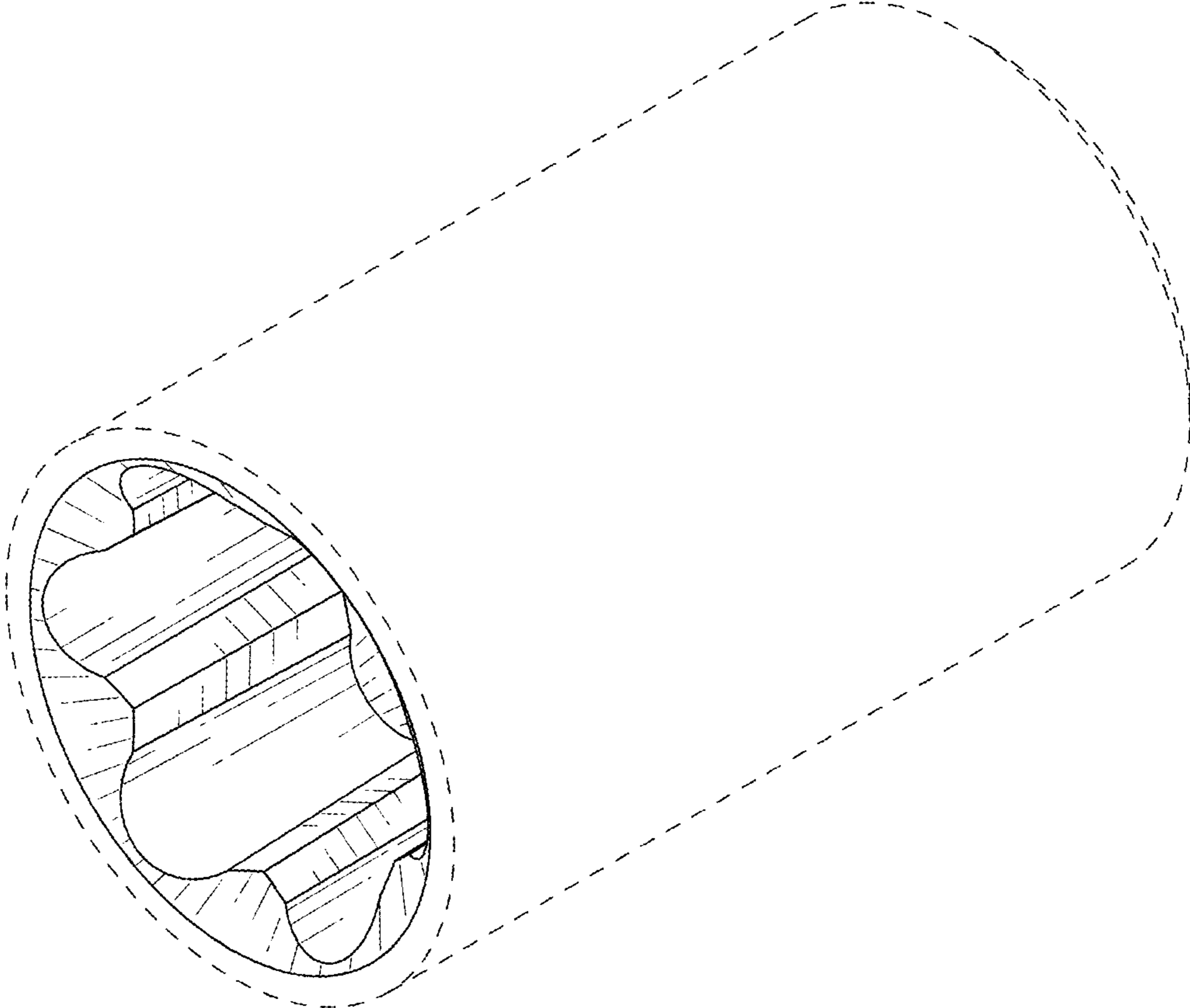


FIG. 1

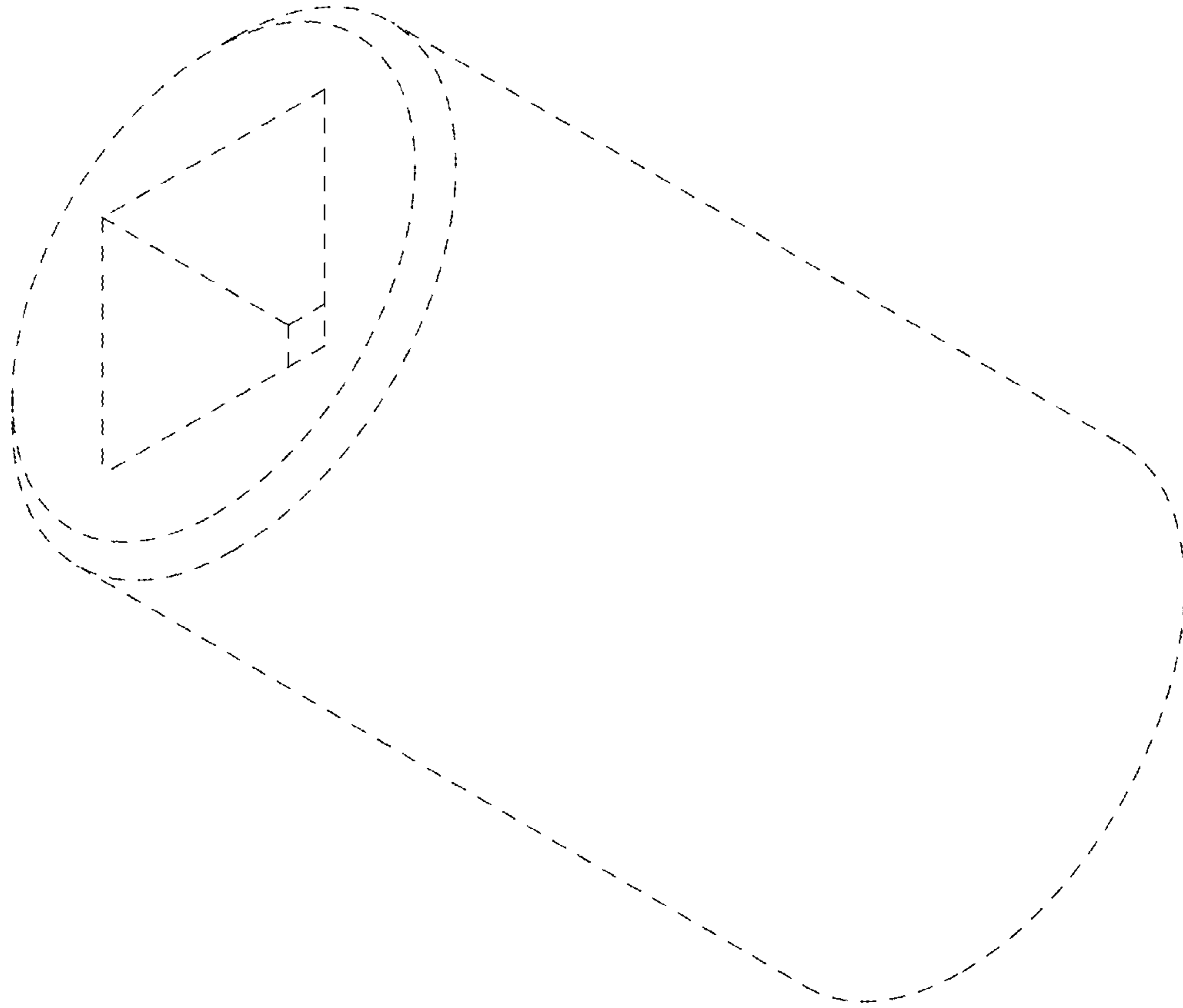


FIG. 2

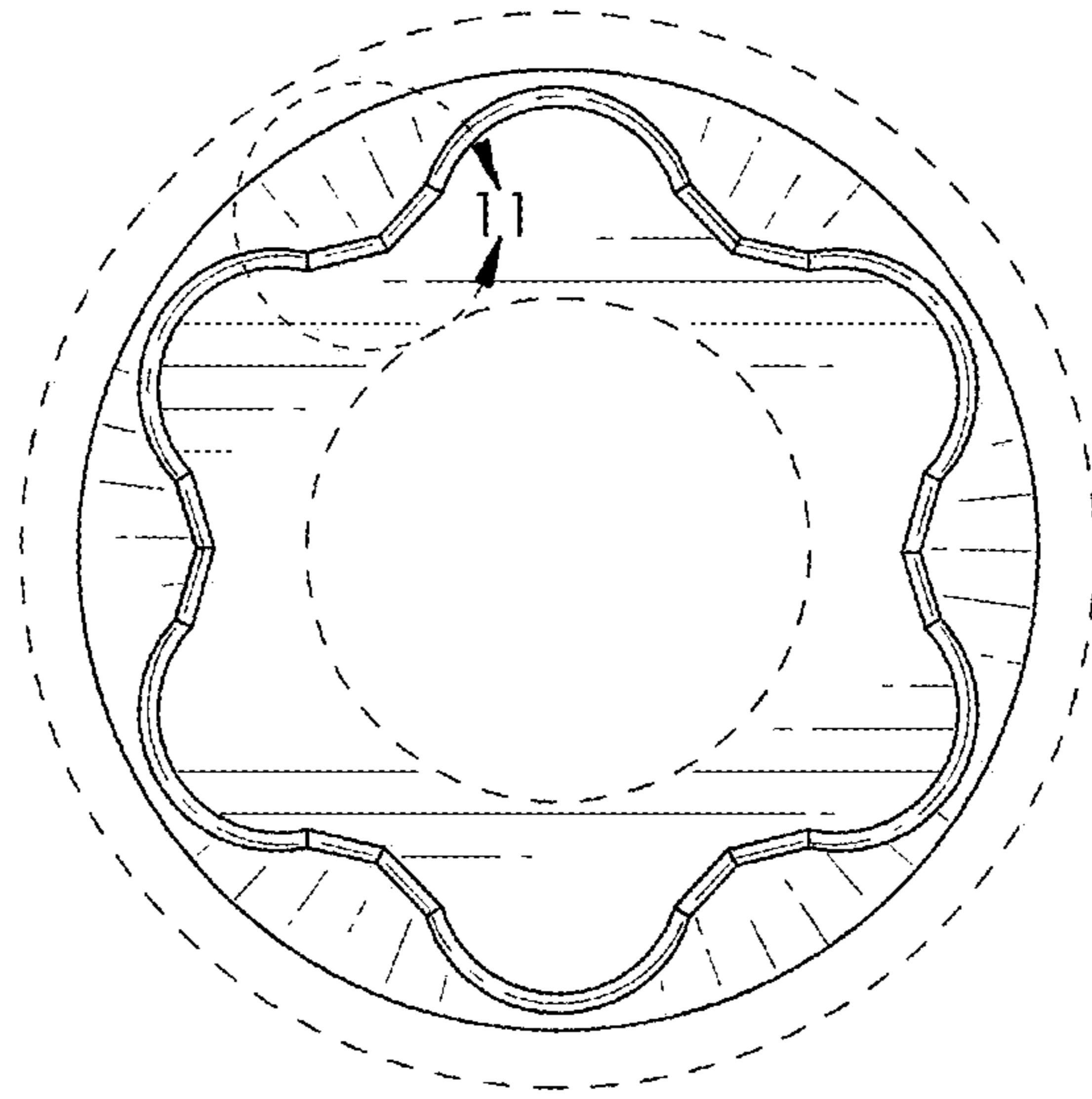


FIG. 3

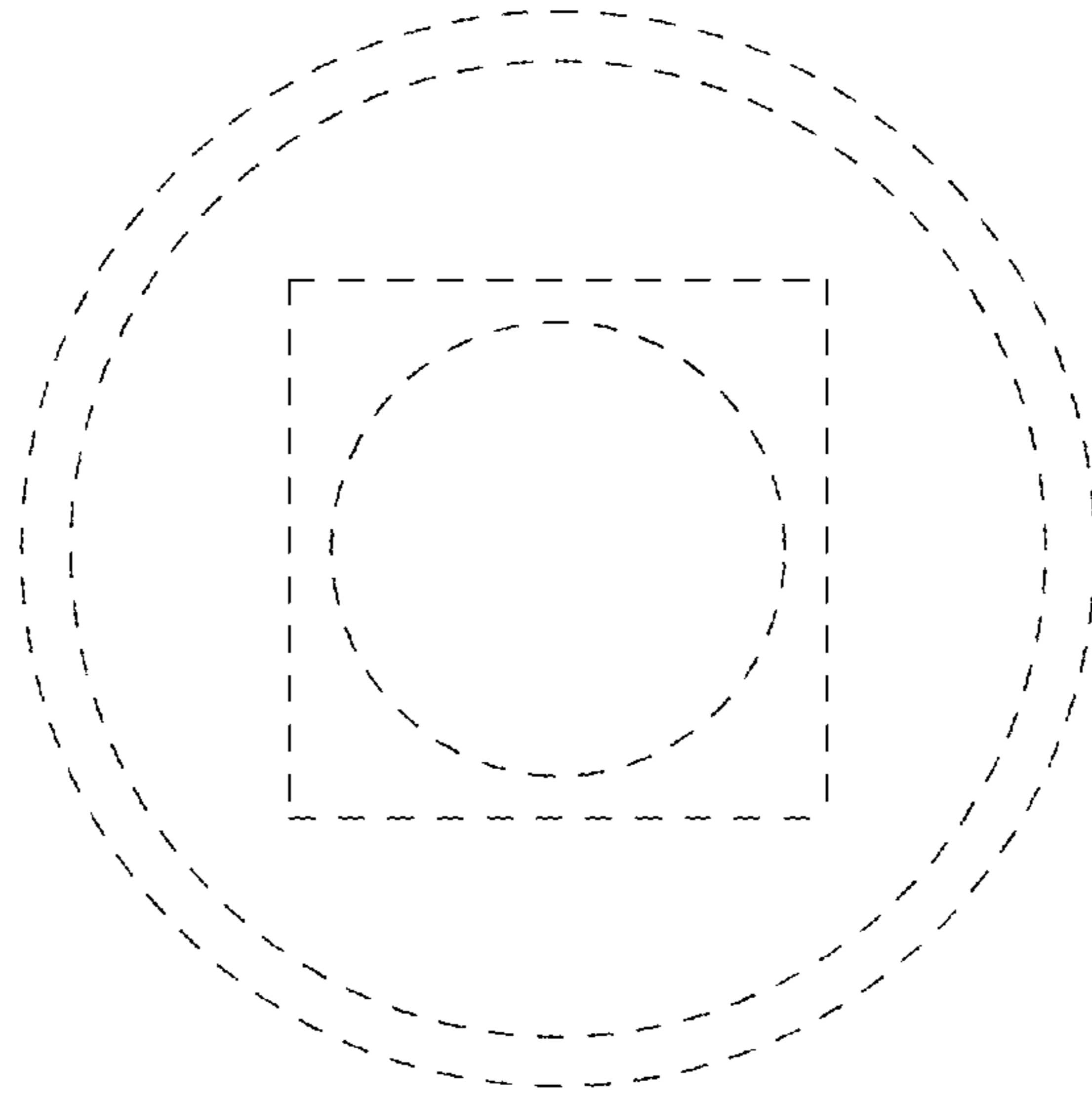


FIG. 4



FIG. 5



FIG. 6

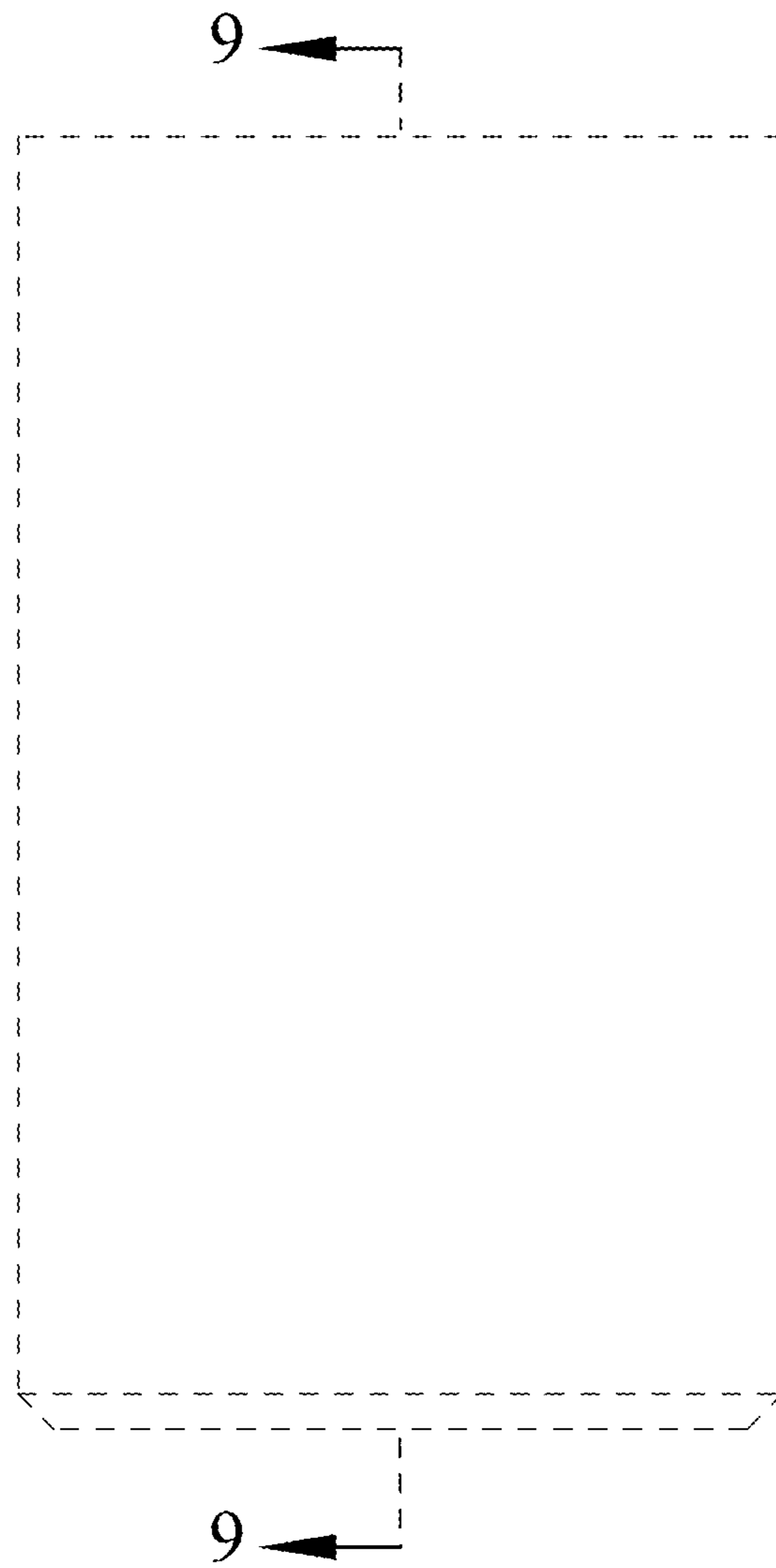


FIG. 7

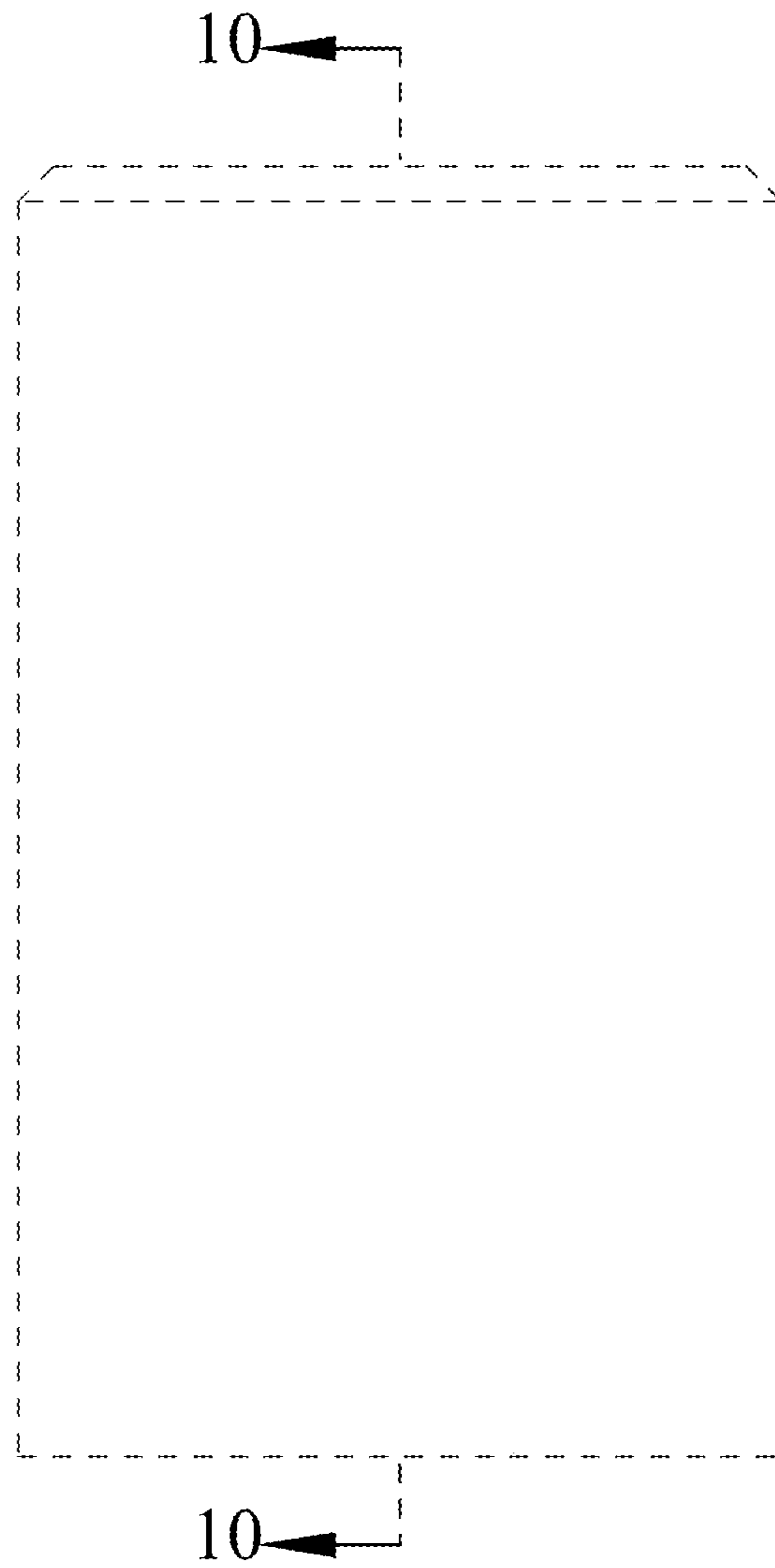


FIG. 8

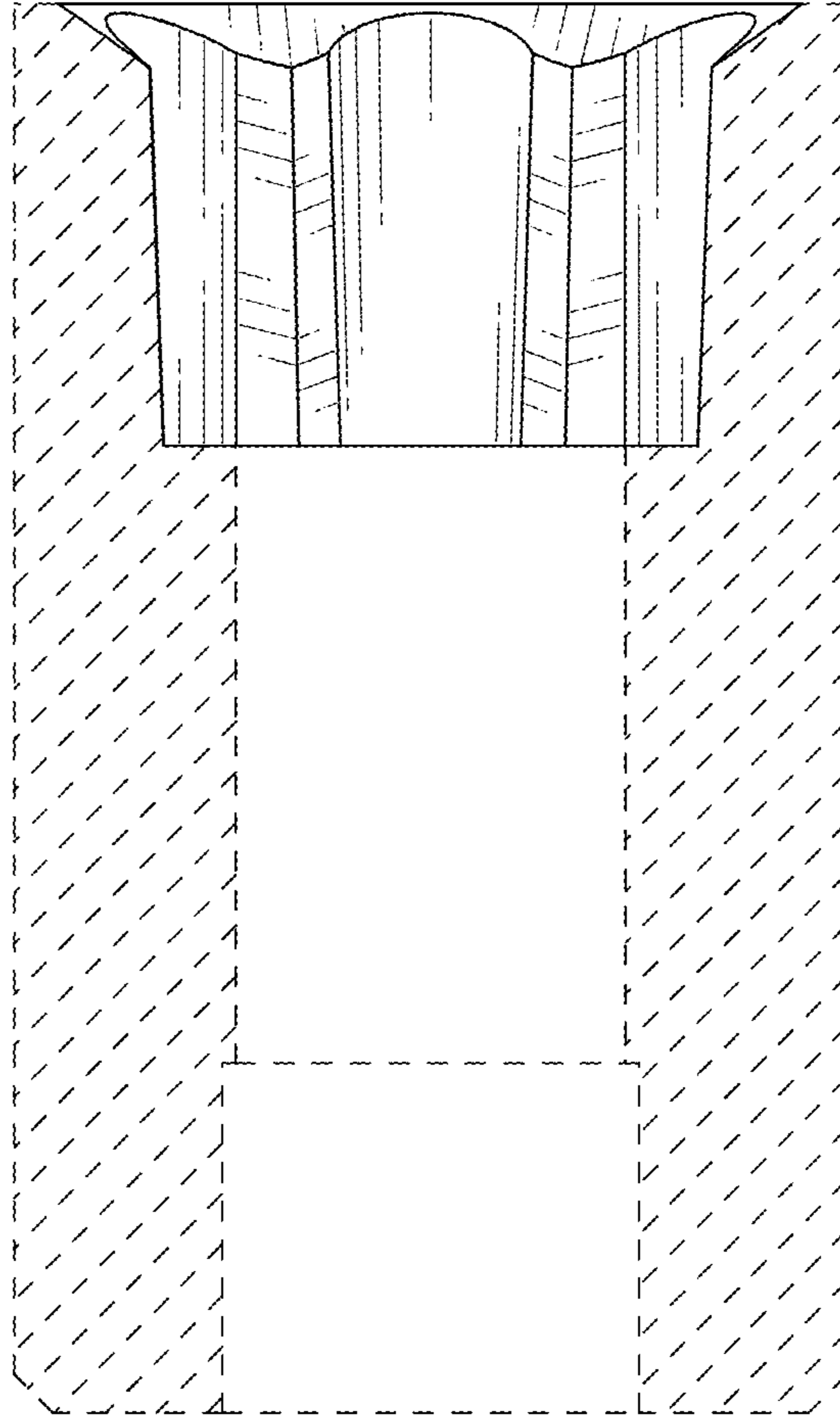


FIG. 9

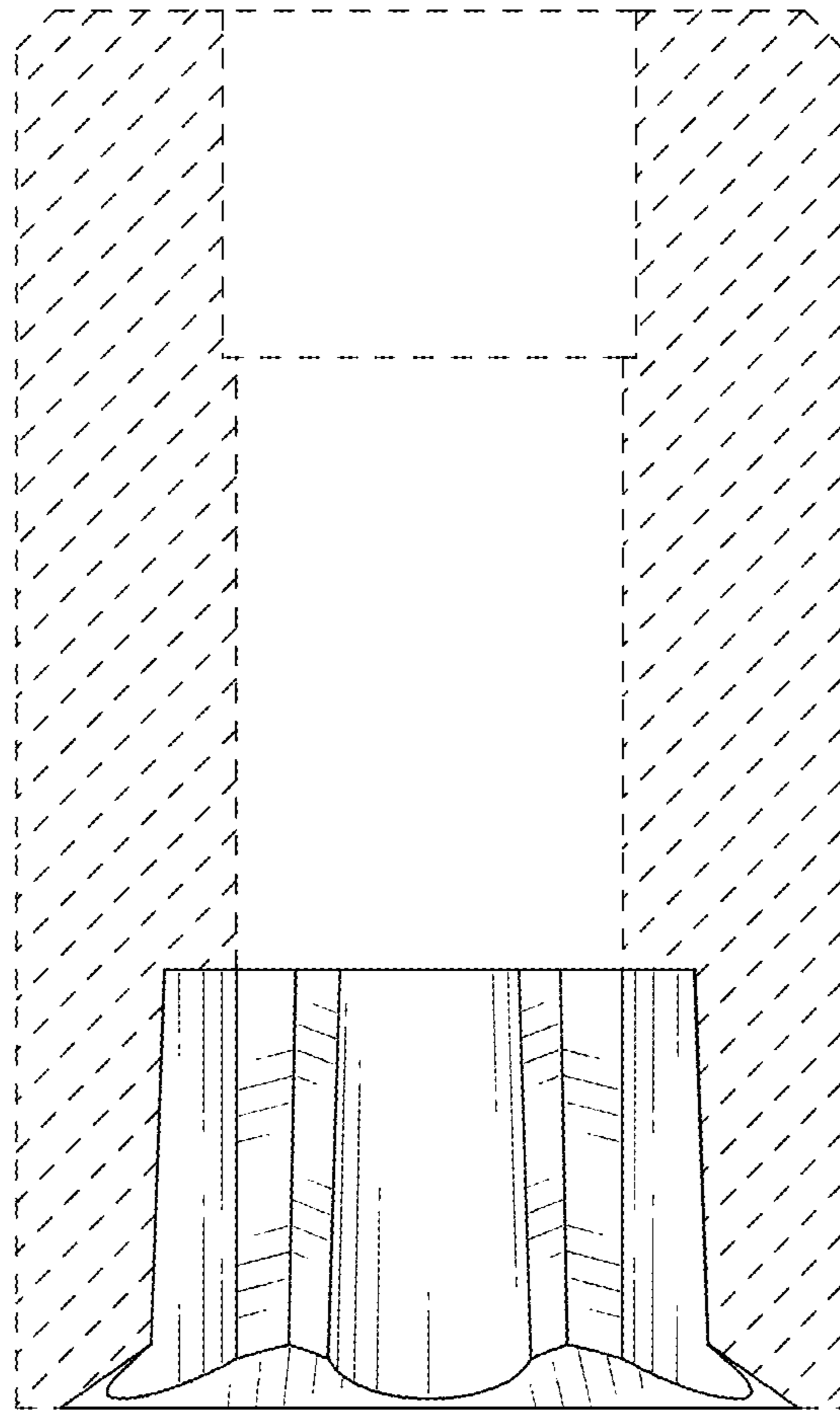


FIG. 10

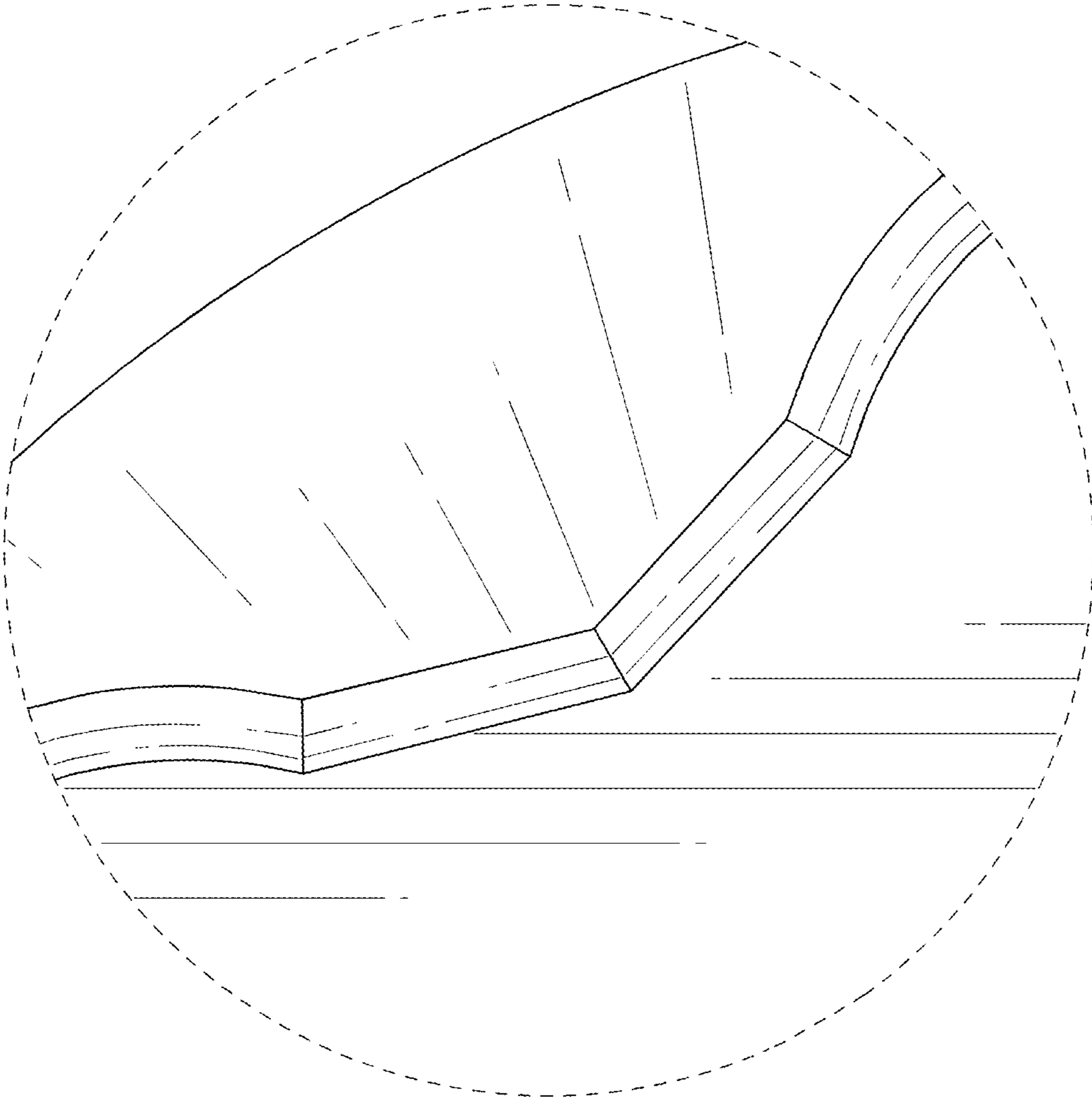


FIG. 11