



US00D887232S

(12) **United States Design Patent**  
**Holloway**

(10) **Patent No.:** **US D887,232 S**  
(45) **Date of Patent:** **\*\* Jun. 16, 2020**

- (54) **ERGONOMIC WRENCH**
- (71) Applicant: **Jerry Holloway**, Midland, TX (US)
- (72) Inventor: **Jerry Holloway**, Midland, TX (US)
- (\*\*) Term: **15 Years**
- (21) Appl. No.: **29/680,811**
- (22) Filed: **Feb. 20, 2019**
- (51) **LOC (12) Cl.** ..... **08-05**
- (52) **U.S. Cl.**  
USPC ..... **D8/21; D8/28**
- (58) **Field of Classification Search**  
USPC ..... D8/21-29, 29.1, 114, 499, 321, 81, 52,  
D8/61, 107, 57, 346, 334, 333, 72-75,  
D8/393-395, 63, 93, 14, 330, 336, 400,  
D8/349, 467, 356, 692, 693, 17, 367, 368,  
D8/369, 370, 371; 81/119, 177.1, 177.2,  
81/57.5, 478, 177.7, 177.8, 166;  
16/87.4 R, 87.2  
CPC ..... B25B 13/08; B25B 13/00; B25B 13/481;  
B25B 13/56; B25B 23/16; B25B 13/06;  
B25B 23/0035; B25B 15/001; B25B  
13/065; B25B 23/0021; B25B 15/008;  
B25G 1/043; B25G 23/16; B25G 1/005;  
B25G 1/063; B25G 1/085; B25G 1/066;  
B25G 1/102; A47H 13/01; A47H 15/04;  
A47H 13/04; A47K 3/38  
See application file for complete search history.

(56) **References Cited**  
U.S. PATENT DOCUMENTS

1,851,426	A	3/1932	Haskell	
1,980,087	A	11/1934	Rast	
4,488,460	A	12/1984	Ballone et al.	
D339,048	S	9/1993	Baum	
D377,890	S *	2/1997	Kurachi	D8/14
D405,677	S	2/1999	Mosley	

5,896,620	A *	4/1999	Mink	A46B 5/02 16/110.1
6,079,298	A	6/2000	Gasperi et al.	
6,305,052	B1	10/2001	Sinclair	
D451,352	S *	12/2001	Wright	D8/28
6,584,693	B2	7/2003	DeBolt	
D488,037	S *	4/2004	Tuanmu	D8/25
D491,729	S	6/2004	Woodnorth et al.	
D528,383	S *	9/2006	Albertson	D8/28
D624,796	S *	10/2010	Taylor, Jr.	D8/28
D625,579	S *	10/2010	Lee	D8/349
8,051,748	B2	11/2011	Lin	
D708,502	S	7/2014	Lin	
D727,699	S *	4/2015	Chen	D8/27
D794,963	S *	8/2017	Matelo	D4/104
D799,293	S *	10/2017	Chang	D8/28
9,844,899	B2	12/2017	Gauthier et al.	

(Continued)

**FOREIGN PATENT DOCUMENTS**

CN	300808971	*	8/2007
CN	303884346	*	6/2016
SI	200250023-0001	*	2/2002

*Primary Examiner* — Keli L Hill  
*Assistant Examiner* — Sara S Sahneh  
(74) *Attorney, Agent, or Firm* — Goldstein Law Offices,  
P.C.

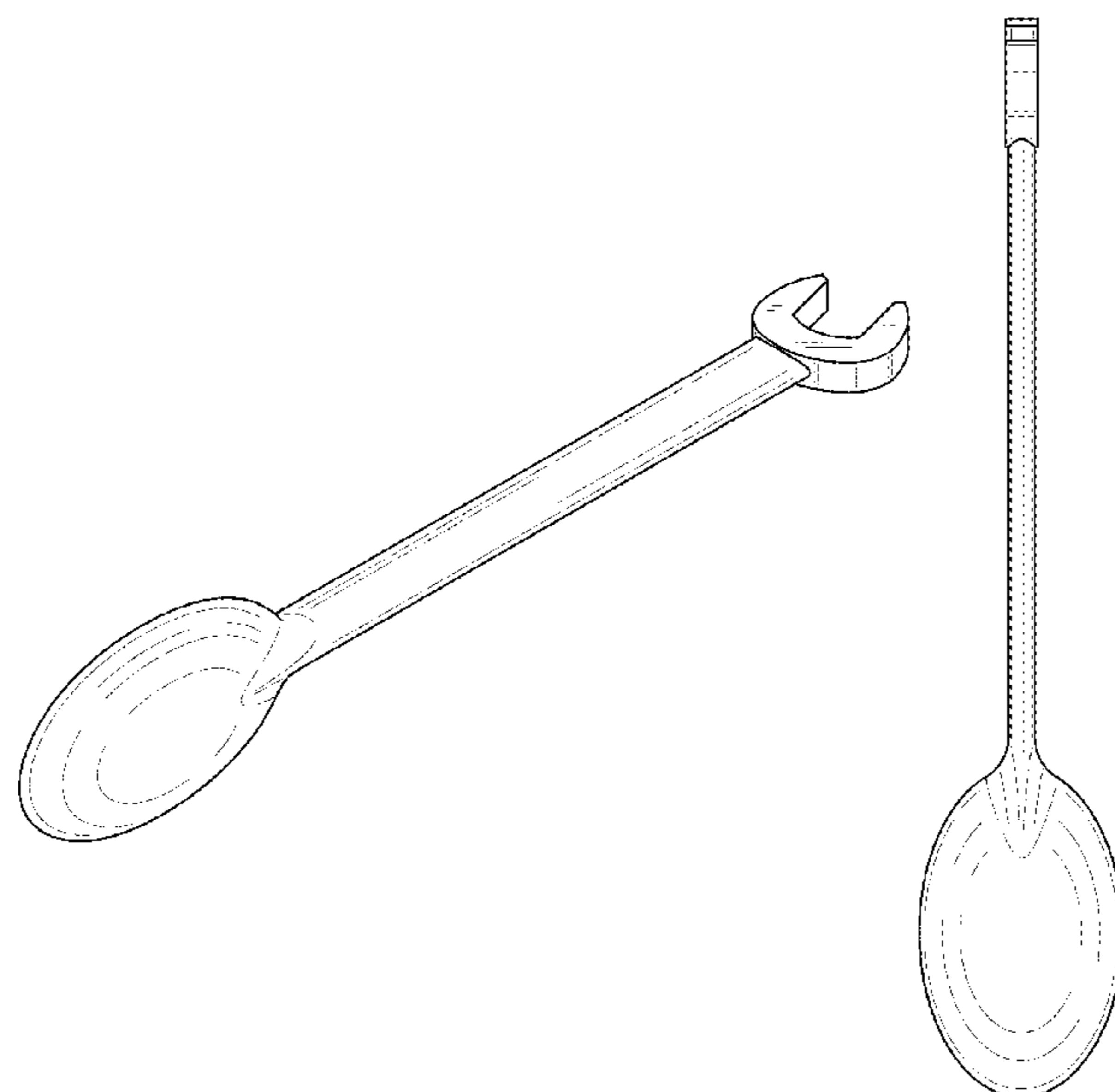
(57) **CLAIM**

The ornamental design for an ergonomic wrench, as shown and described.

**DESCRIPTION**

FIG. 1 is a perspective view of the ergonomic wrench.  
FIG. 2 is a front elevational view of the ergonomic wrench.  
FIG. 3 is a rear elevational view thereof.  
FIG. 4 is a bottom plan view thereof.  
FIG. 5 is a top plan view thereof.  
FIG. 6 is a right side elevational view thereof; and,  
FIG. 7 is a left side elevational view thereof.

**1 Claim, 4 Drawing Sheets**



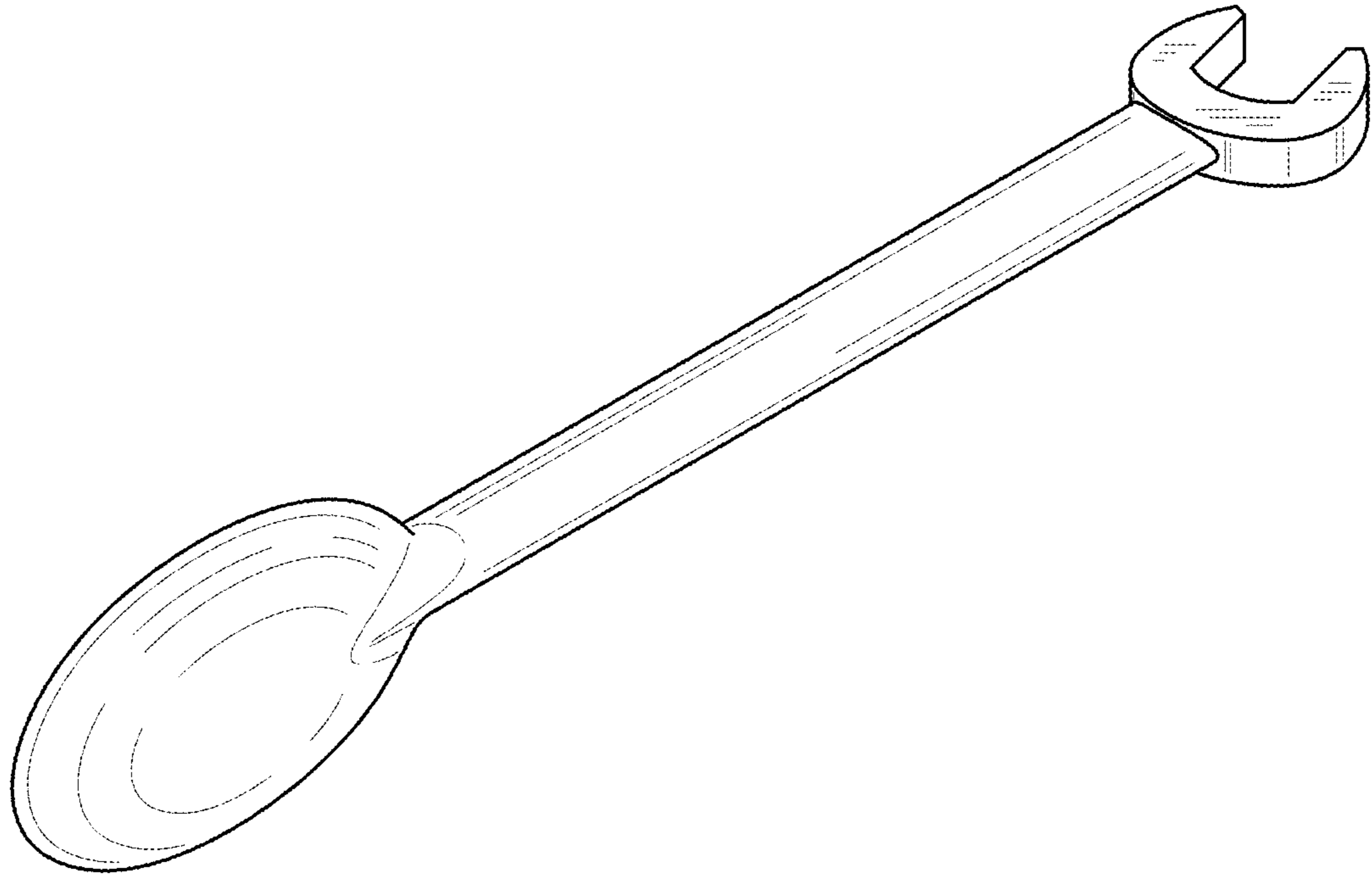
(56)

**References Cited**

U.S. PATENT DOCUMENTS

D863,008 S \* 10/2019 Moreau ..... D8/28  
D864,496 S \* 10/2019 Baker ..... D30/153  
D873,609 S \* 1/2020 Dodd ..... D7/401.2  
2009/0089972 A1 4/2009 Gill et al.  
2019/0022485 A1\* 1/2019 Geremia ..... A63B 49/08

\* cited by examiner



*FIG. 1*

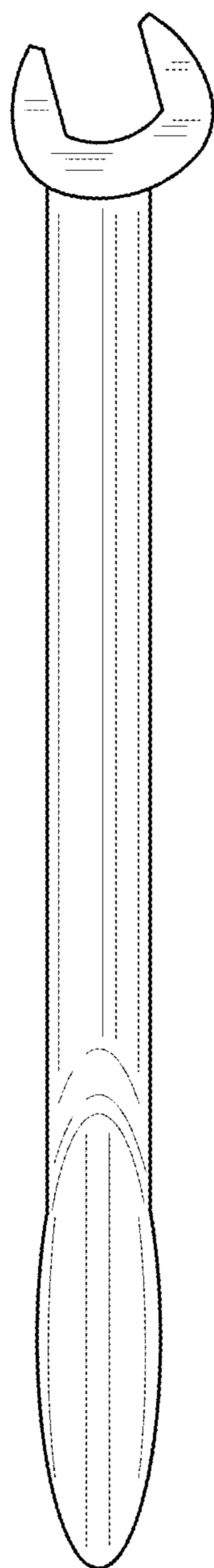


FIG. 2

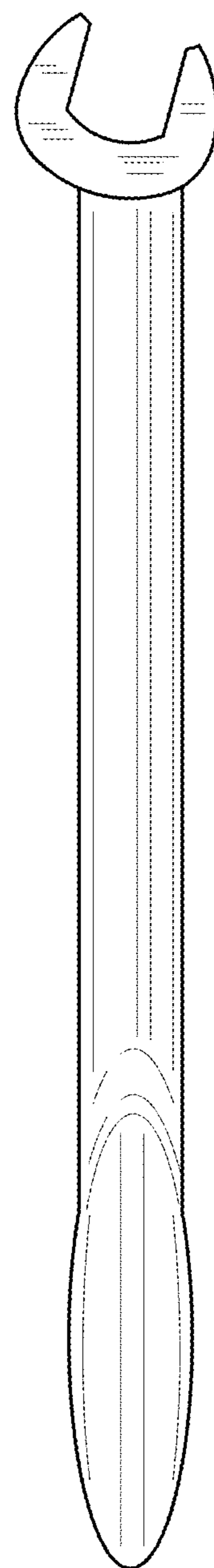
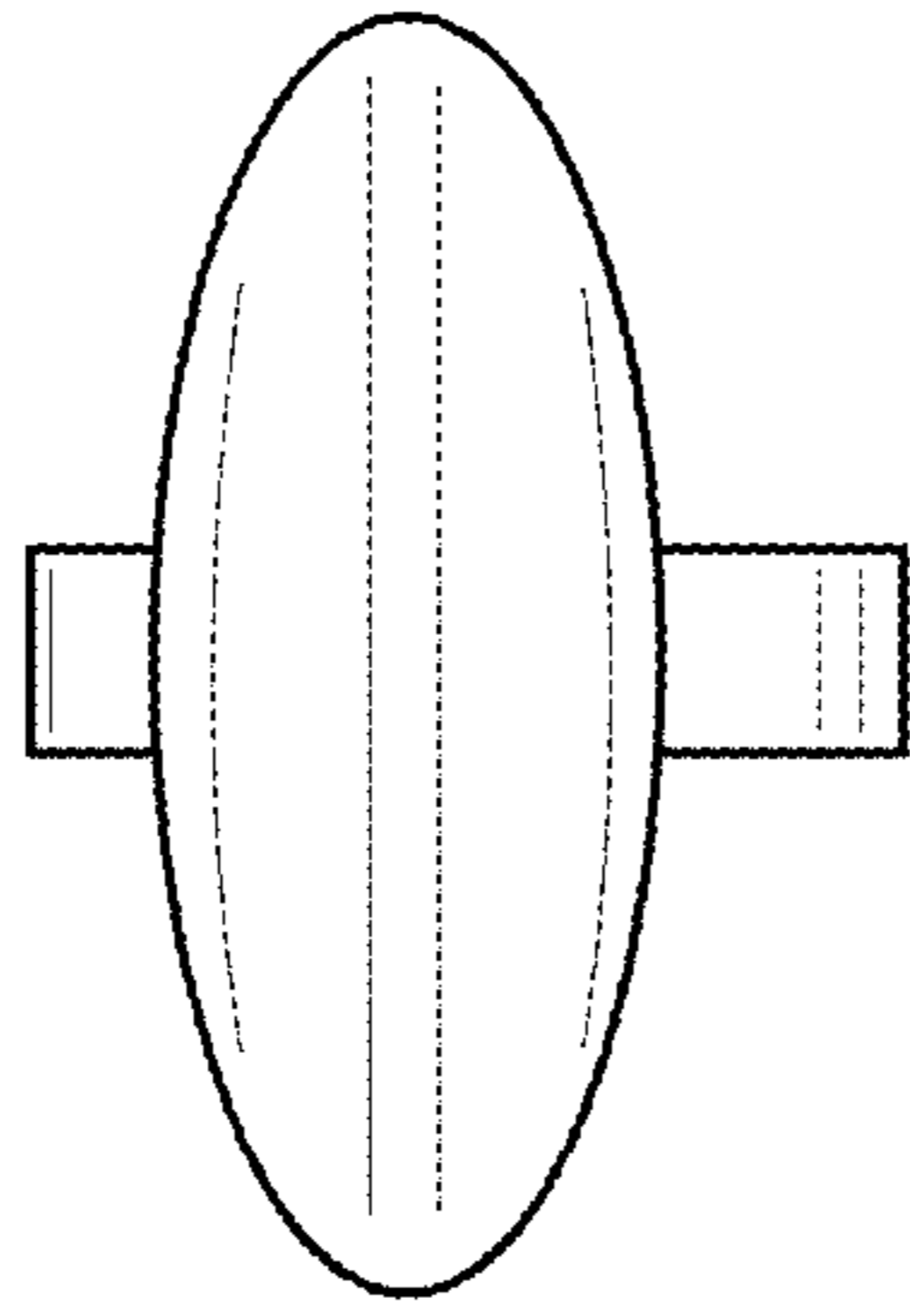
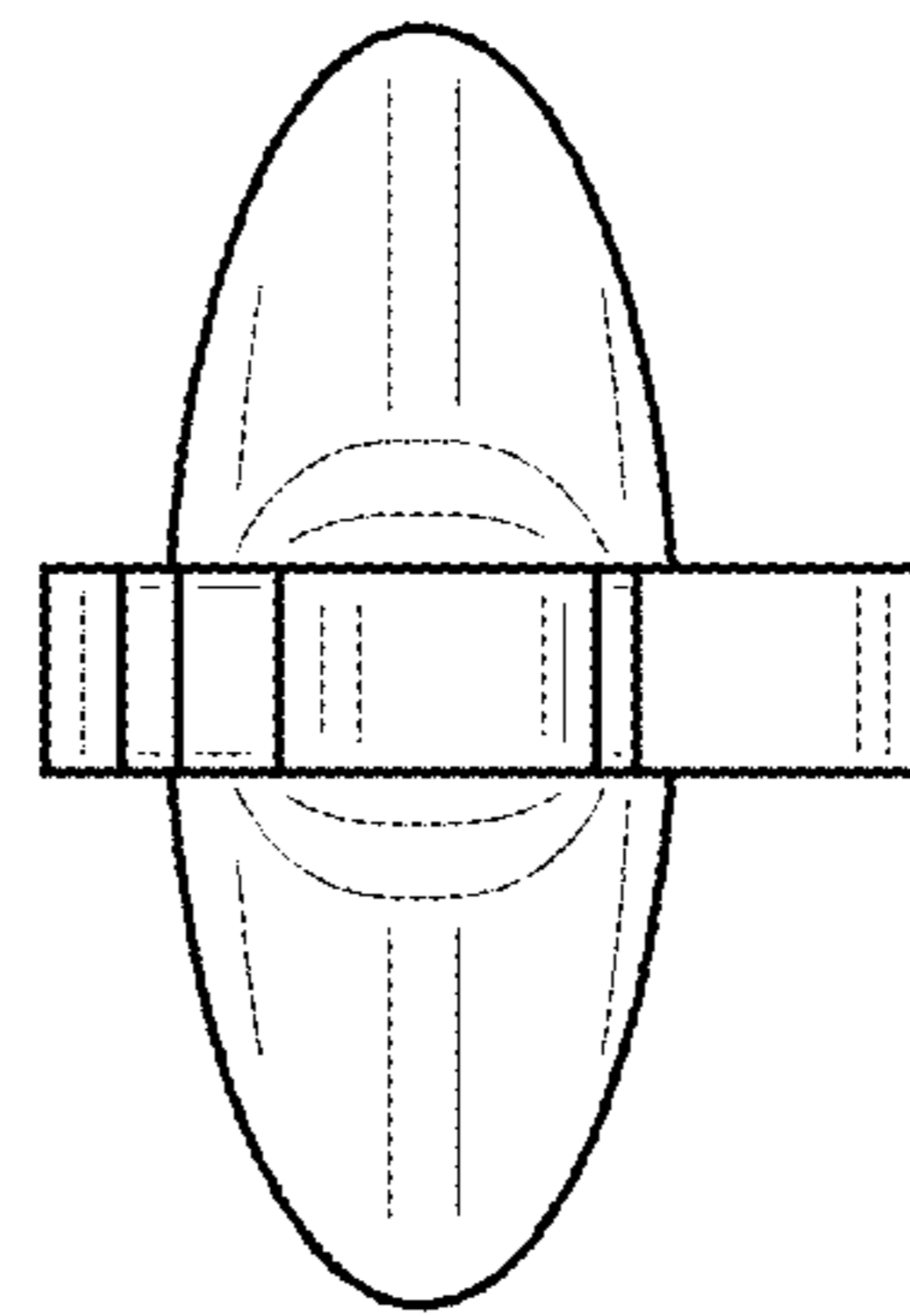


FIG. 3



*FIG. 4*



*FIG. 5*

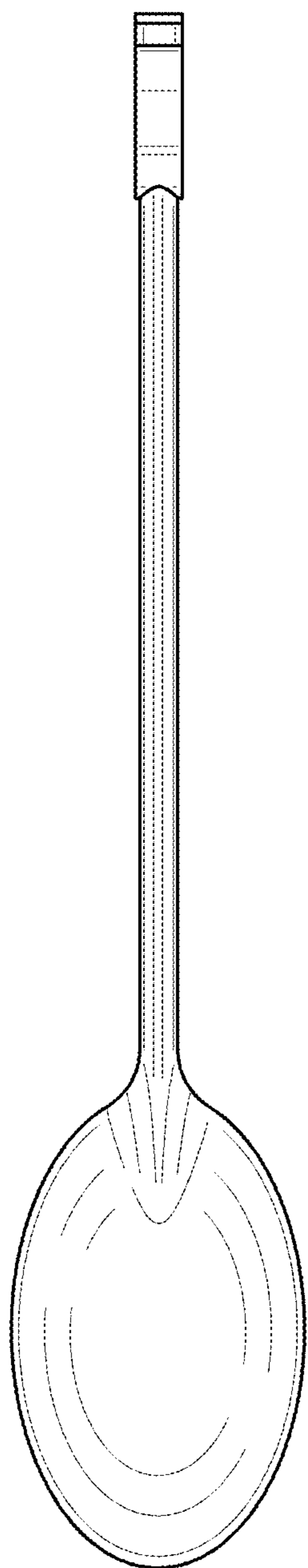


FIG. 6

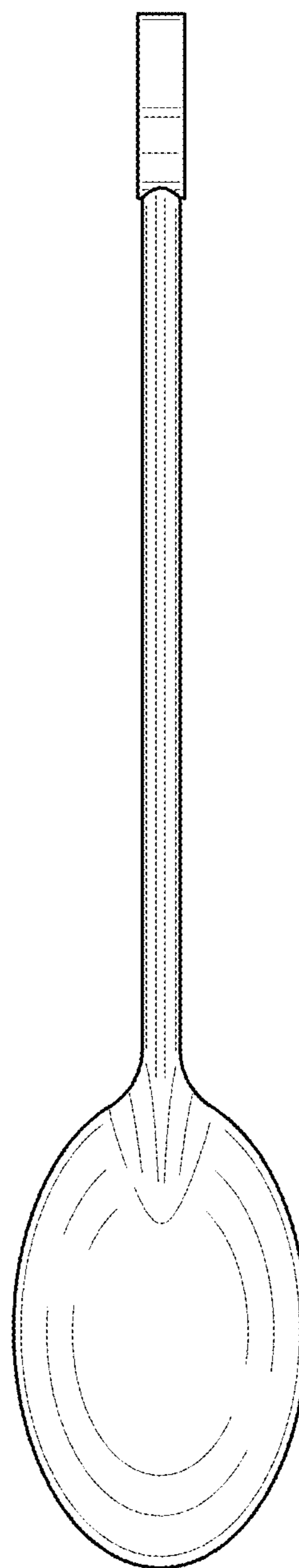


FIG. 7