



US00D887231S

(12) **United States Design Patent**  
**Suzuki et al.**

(10) **Patent No.:** **US D887,231 S**

(45) **Date of Patent:** **\*\* Jun. 16, 2020**

(54) **GREASE GUN**

(71) Applicant: **MAKITA CORPORATION**, Anjo-shi,  
Aichi (JP)

(72) Inventors: **Wataru Suzuki**, Anjo (JP); **Tomofumi Kawai**, Anjo (JP); **Koji Tanaka**, Anjo (JP); **Yuki Miwa**, Anjo (JP)

(73) Assignee: **MAKITA CORPORATION**, Anjo-Shi (JP)

(\*\*) Term: **15 Years**

(21) Appl. No.: **29/671,019**

(22) Filed: **Nov. 21, 2018**

(30) **Foreign Application Priority Data**

May 24, 2018 (JP) ..... 2018-011341

(51) **LOC (12) Cl.** ..... **08-05**

(52) **U.S. Cl.**  
USPC ..... **D8/14.1; D8/61**

(58) **Field of Classification Search**  
USPC ..... D8/14, 14.1, 61, 62, 67, 69, 29.1  
CPC ..... F16N 3/12; F16N 3/02; F16N 5/02  
See application file for complete search history.

(56) **References Cited**

**U.S. PATENT DOCUMENTS**

D409,059 S *	5/1999	Wilson	.....	D8/14.1
D510,242 S *	10/2005	Chen	.....	D8/14.1
7,032,713 B2 *	4/2006	Huang	.....	F16N 11/08 184/105.1
D523,303 S *	6/2006	Amin	.....	D8/14.1
7,249,695 B2 *	7/2007	Shew	.....	F16N 11/08 222/258
D590,673 S *	4/2009	Guo	.....	D8/14.1
8,528,782 B2 *	9/2013	Mergener	.....	F16N 5/00 222/37

D710,169 S *	8/2014	Guo	.....	D8/14.1
D722,480 S *	2/2015	Zhu	.....	D8/14.1
D740,089 S	10/2015	Guo et al.		
D772,670 S *	11/2016	Barezzani	.....	D8/68
2005/0060496 A1 *	3/2005	Krissell	.....	G06F 12/0888 711/133
2005/0249616 A1 *	11/2005	Huang	.....	F04B 19/027 417/415

(Continued)

*Primary Examiner* — Philip S Hyder

(74) *Attorney, Agent, or Firm* — Global IP Counselors, LLP

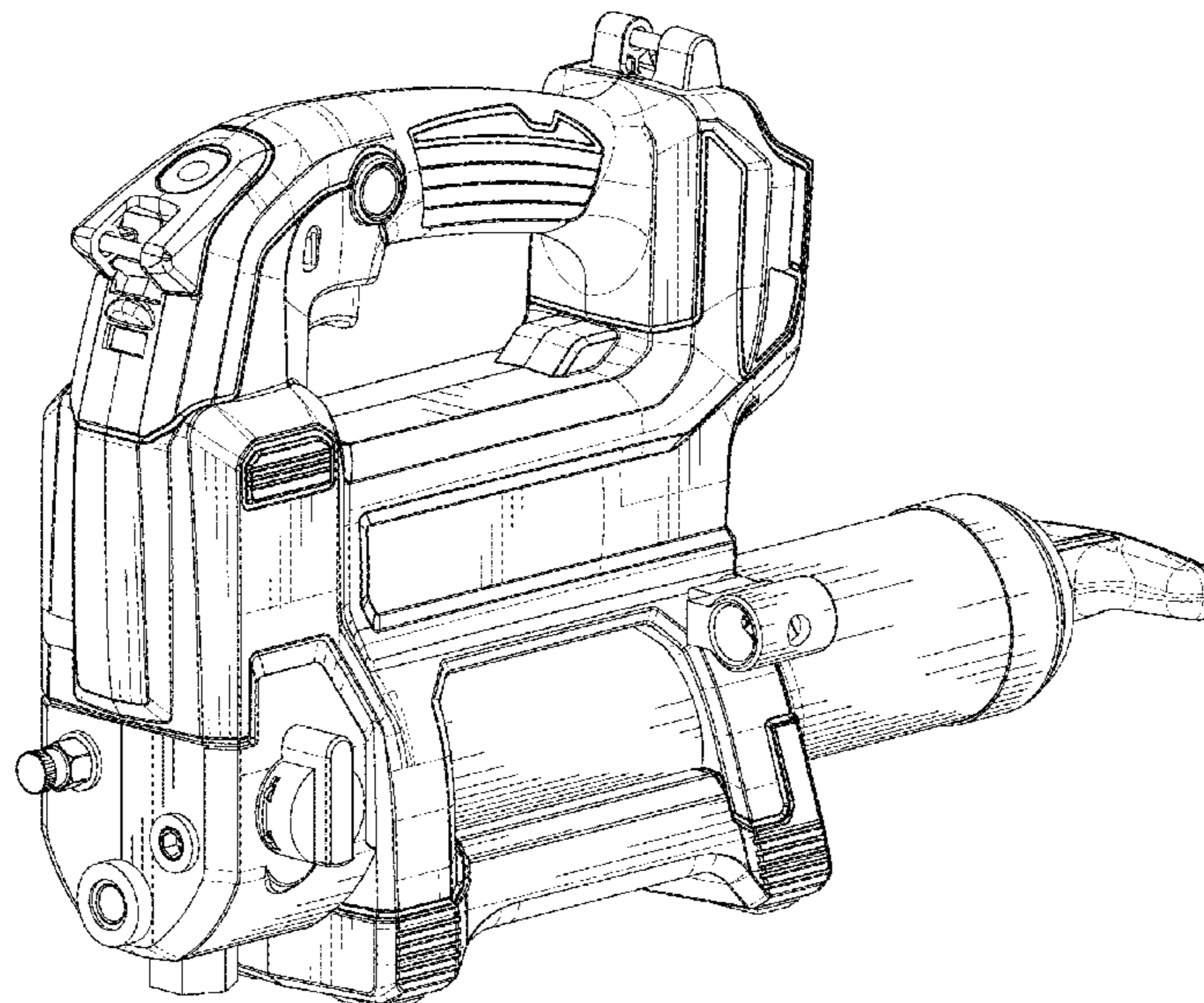
(57) **CLAIM**

The ornamental design for a grease gun, as shown and described.

**DESCRIPTION**

FIG. 1 is a front perspective view of a grease gun in accordance with our new design;  
 FIG. 2 is a rear perspective view of the grease gun in accordance with our new design;  
 FIG. 3 is a front elevational view of the grease gun in accordance with our new design;  
 FIG. 4 is a rear elevational view of the grease gun in accordance with our new design;  
 FIG. 5 is a top plan view of the grease gun in accordance with our new design;  
 FIG. 6 is a bottom plan view of the grease gun in accordance with our new design;  
 FIG. 7 is a right side elevational view of the grease gun in accordance with our new design;  
 FIG. 8 is a left side elevational view of the grease gun in accordance with our new design; and,  
 FIG. 9 is a front perspective view of the grease gun in accordance with our new design showing when a rechargeable battery and a hose are attached to the grease gun.  
 The broken line showing of environment structures in the drawings forms no part of the claimed design.

**1 Claim, 8 Drawing Sheets**



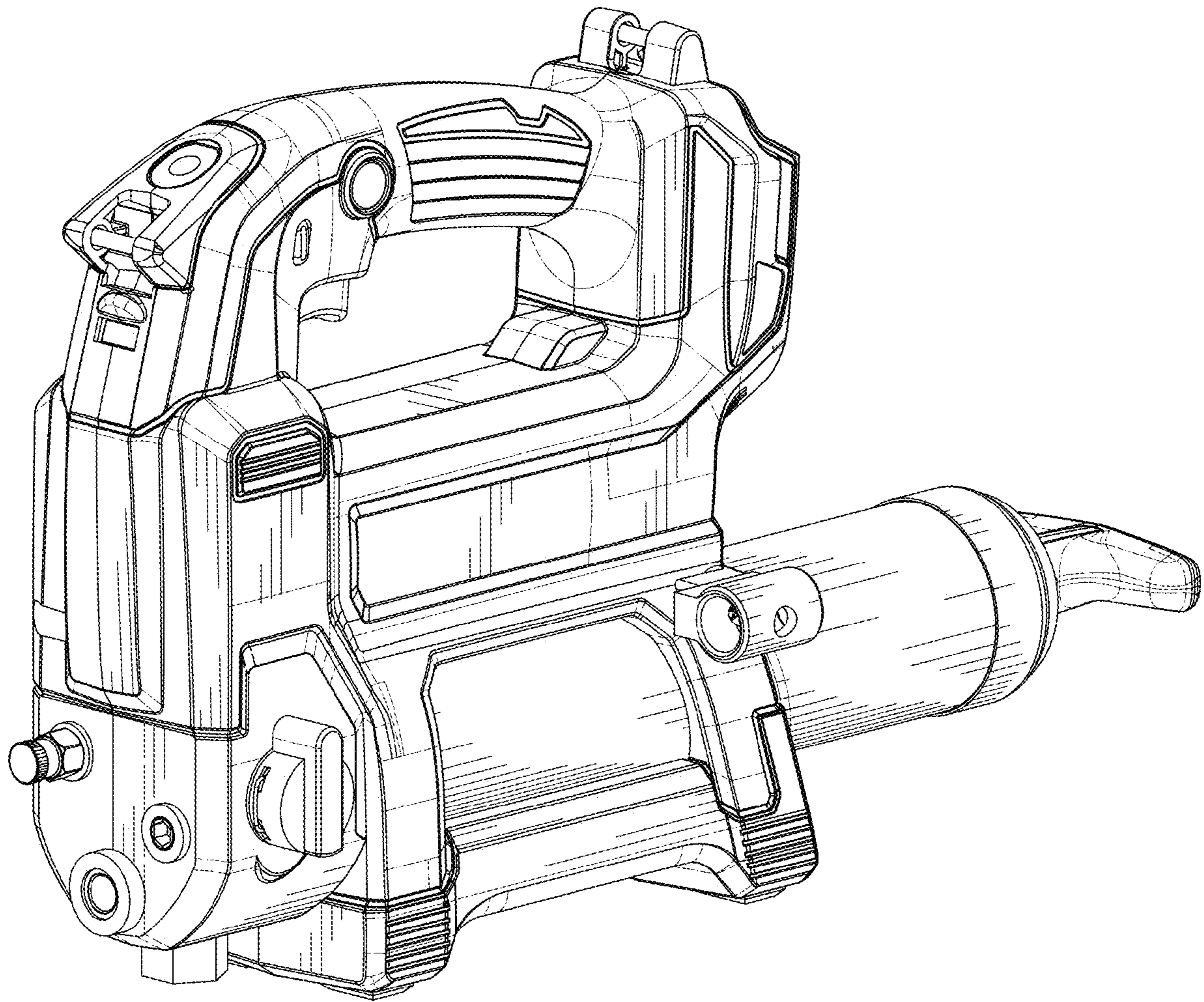
(56)

**References Cited**

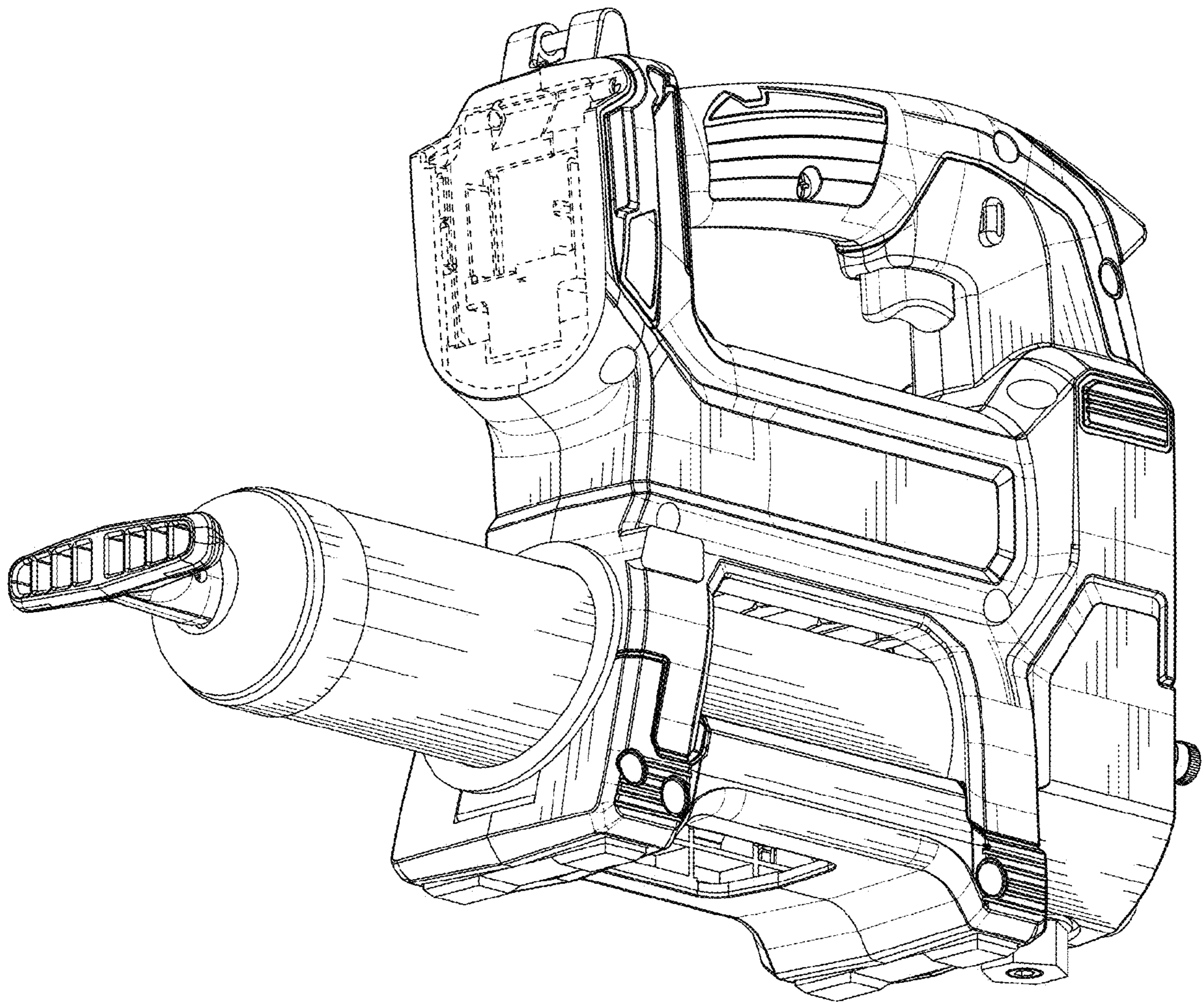
U.S. PATENT DOCUMENTS

2006/0060426 A1\* 3/2006 Chen ..... F16N 3/08  
184/105.2  
2008/0017452 A1\* 1/2008 Chen ..... F16N 3/12  
184/105.2  
2009/0227411 A1\* 9/2009 Guo ..... F16N 3/12  
475/150  
2013/0087583 A1\* 4/2013 Thorson ..... F16N 11/04  
222/262

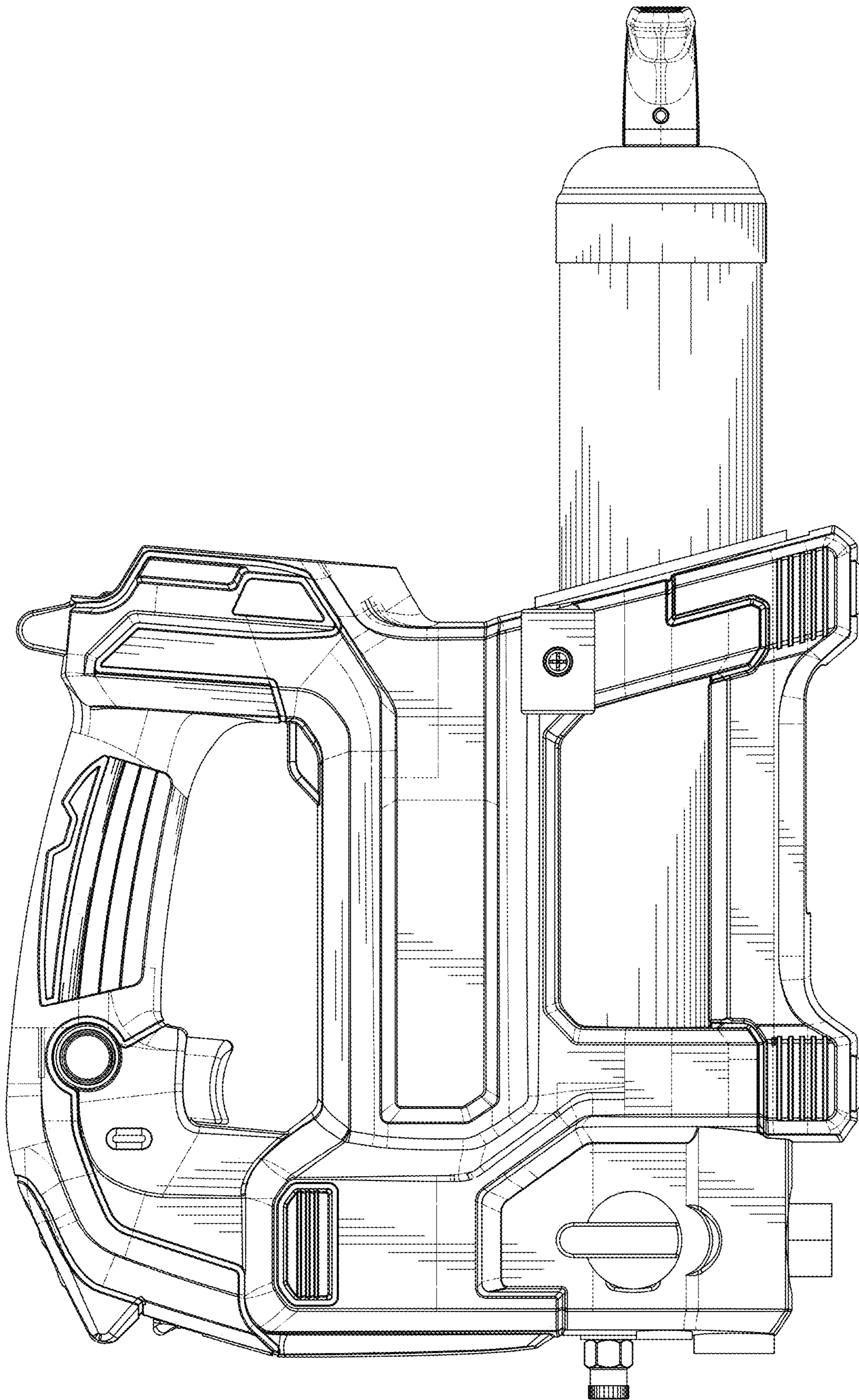
\* cited by examiner



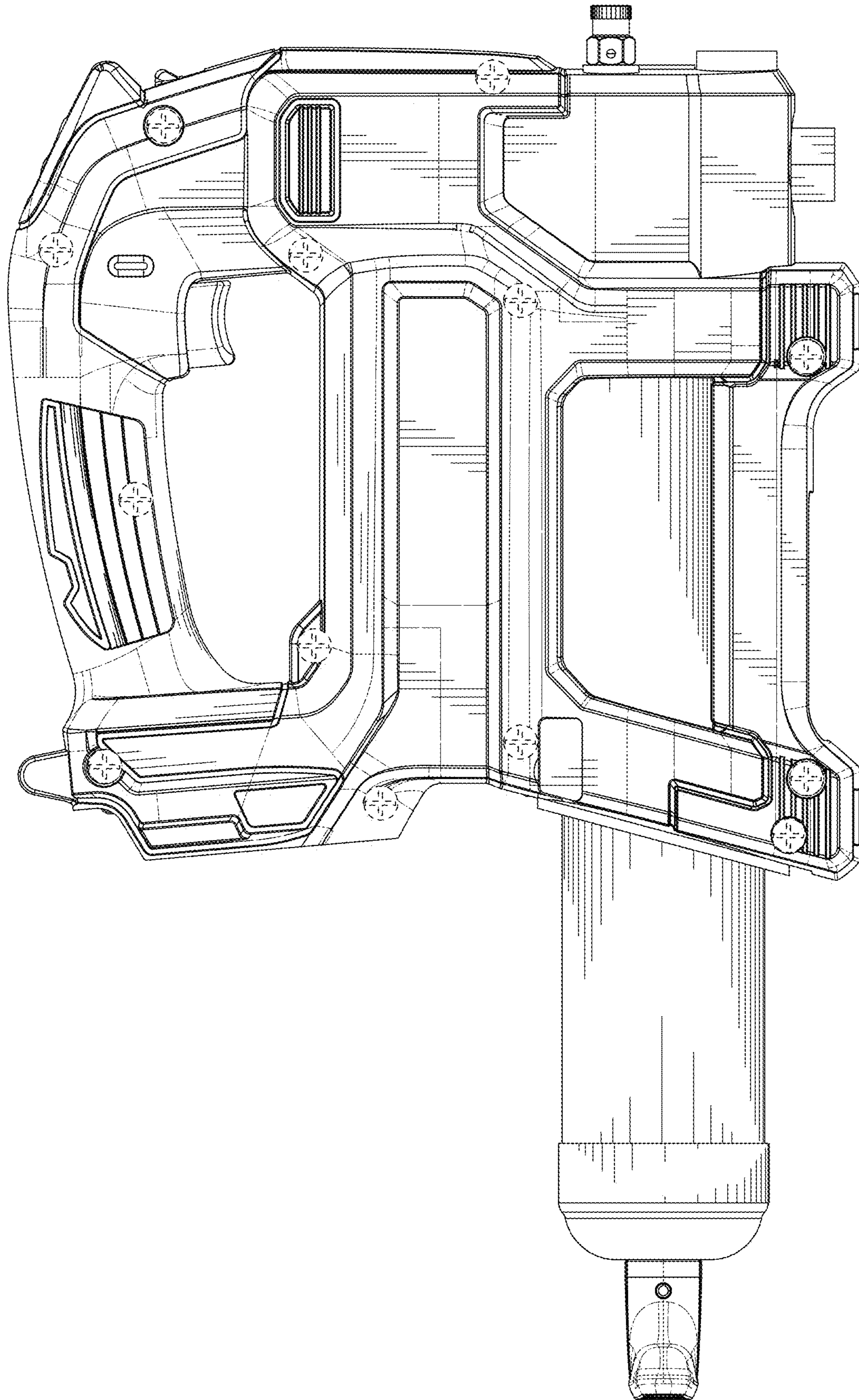
**FIG. 1**



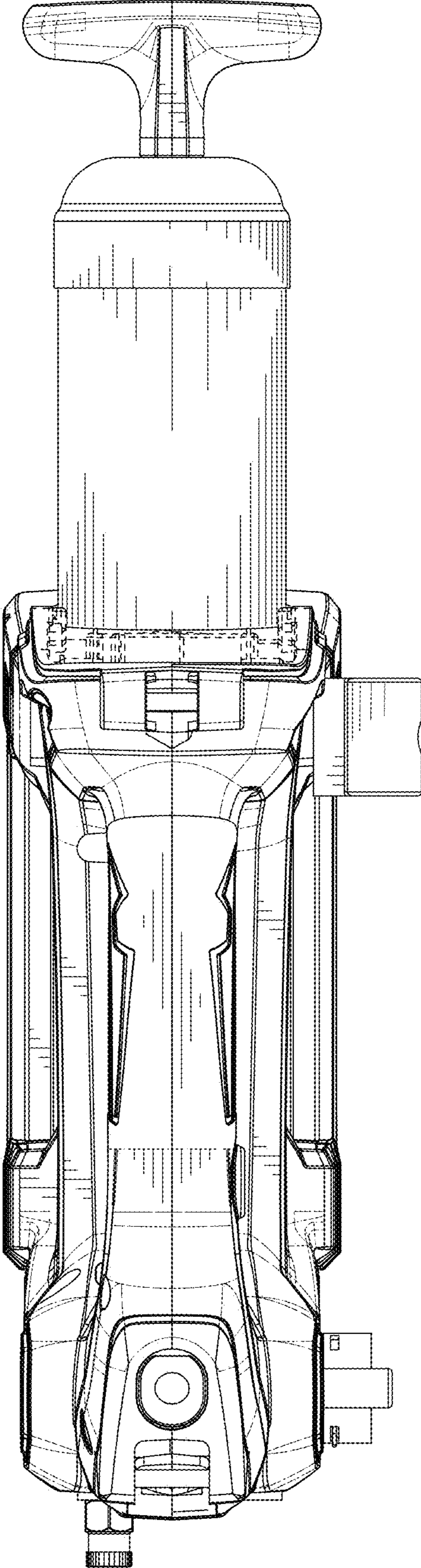
**FIG. 2**



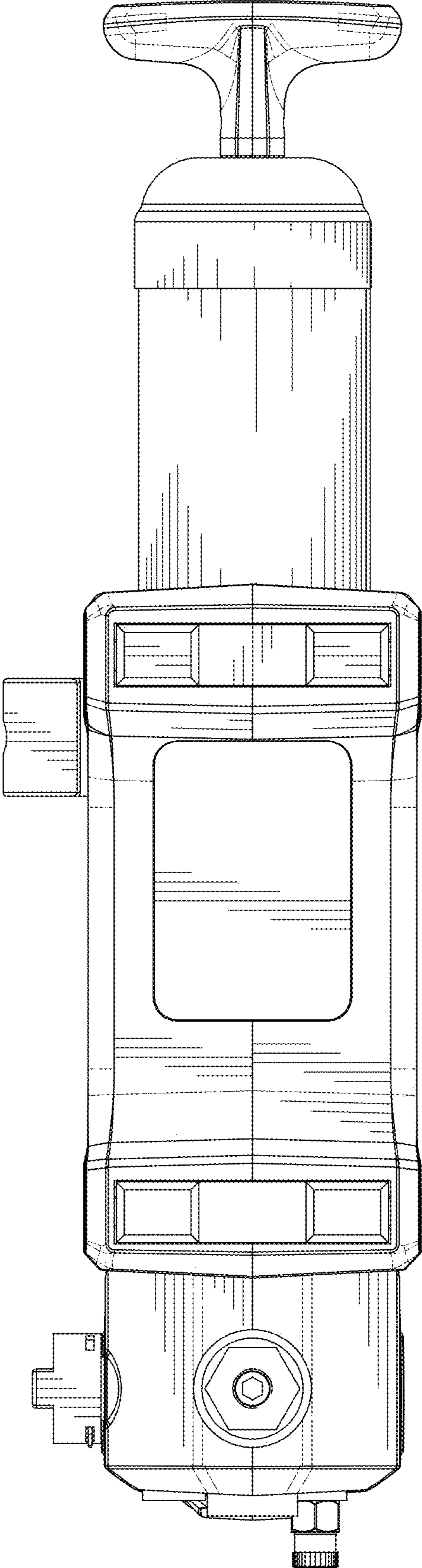
**FIG. 3**



**FIG. 4**

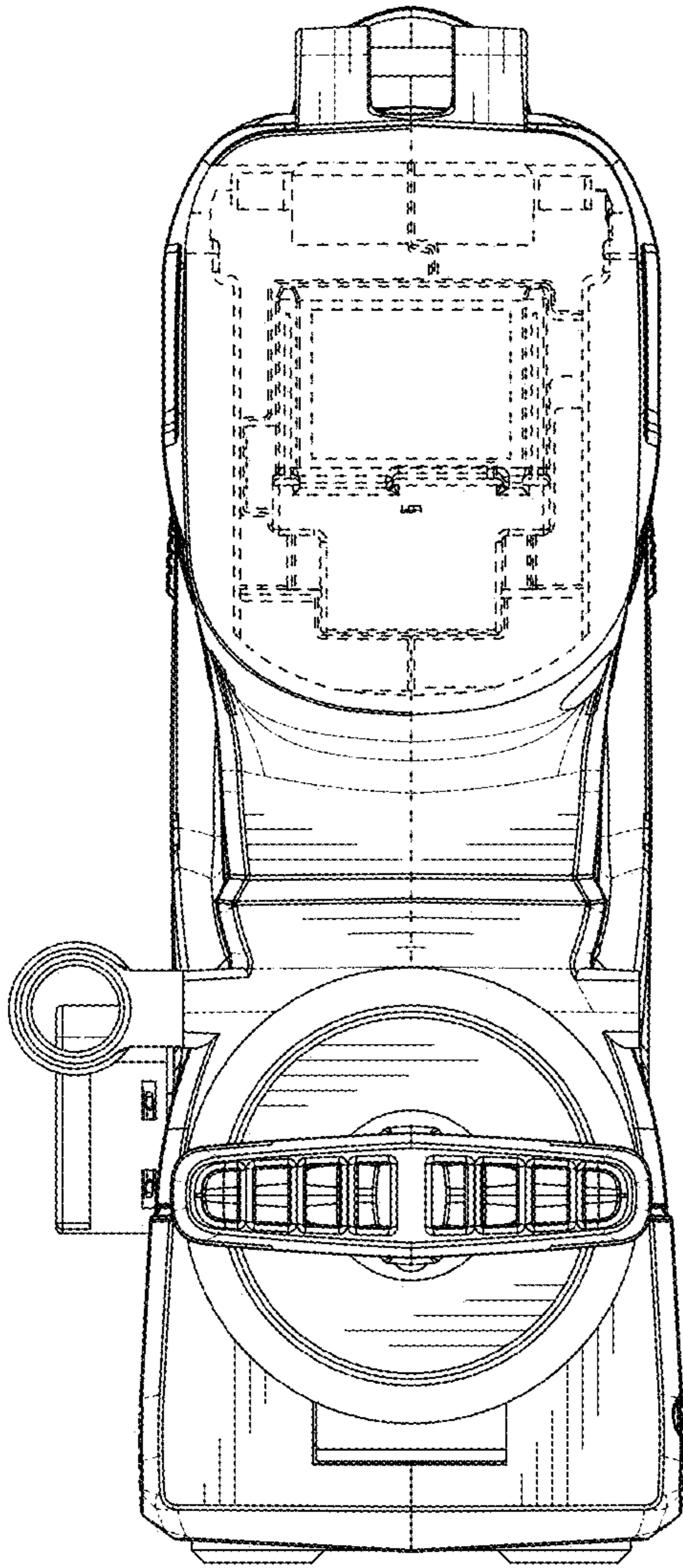


**FIG. 5**

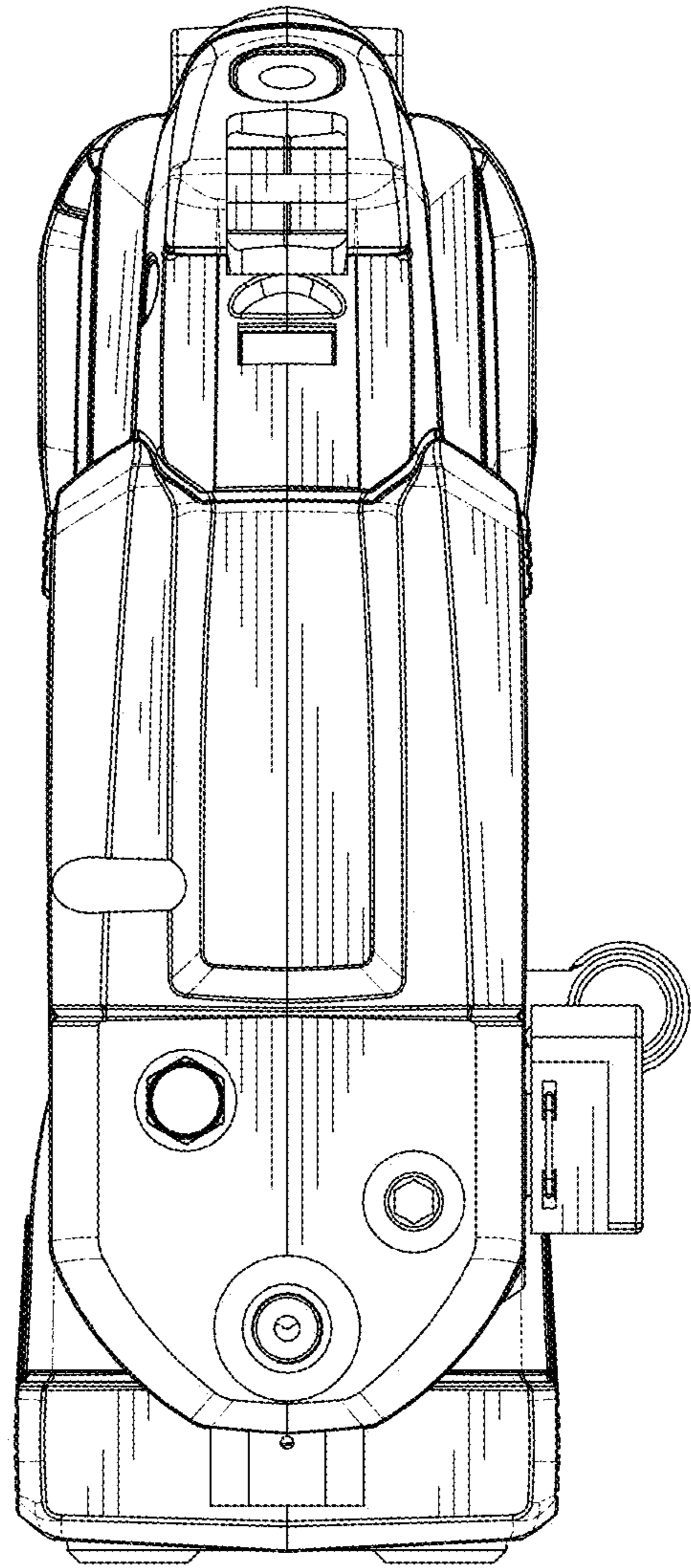


**FIG. 6**

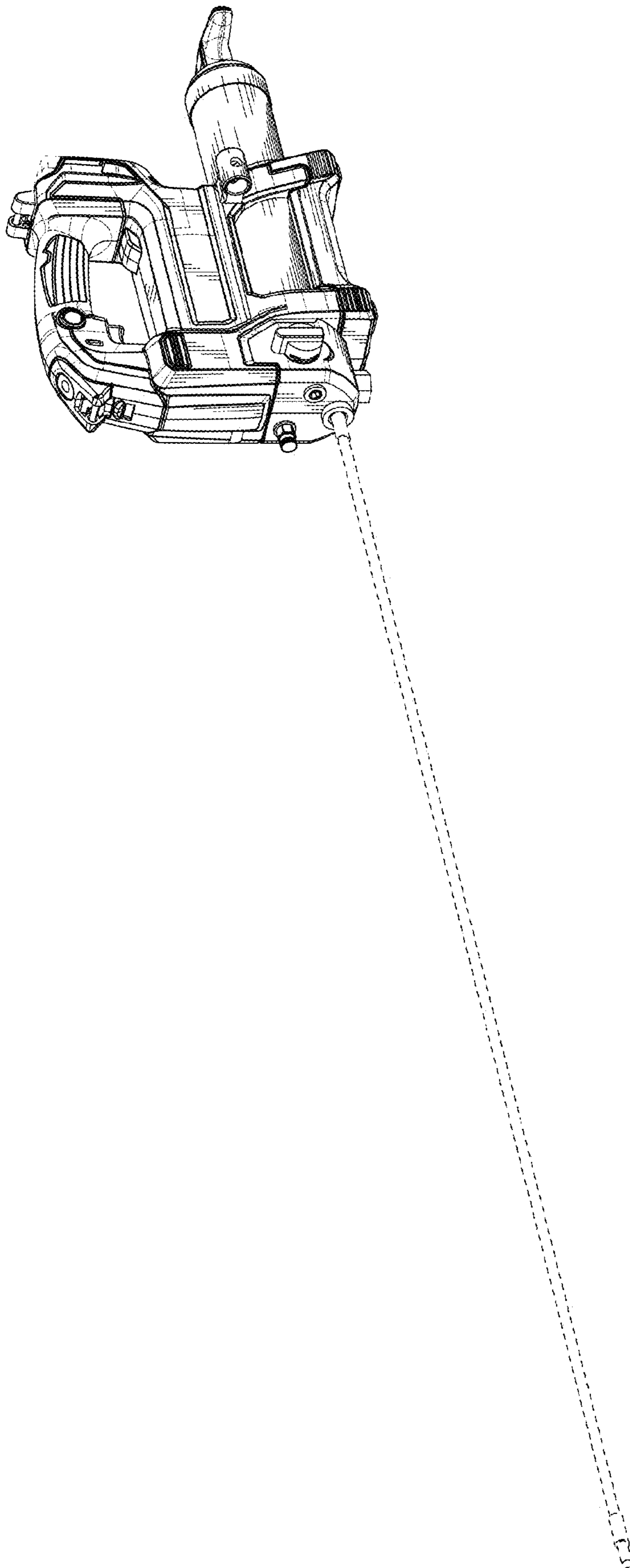




**FIG. 7**



**FIG. 8**



**FIG. 9**