



US00D887230S

(12) **United States Design Patent** (10) **Patent No.:** **US D887,230 S**  
**Sowieja** (45) **Date of Patent:** **\*\* Jun. 16, 2020**

(54) **TOOL**

FOREIGN PATENT DOCUMENTS

(71) Applicant: **Gehl Foods, LLC**, Germantown, WI (US)

CN 1390751 A 1/2003  
CN 101223100 A 7/2008

(Continued)

(72) Inventor: **Michael Sowieja**, Richfield, WI (US)

OTHER PUBLICATIONS

(73) Assignee: **Gehl Foods, LLC**, Germantown, WI (US)

Communication pursuant to Rule 164(1) from the European Patent Office regarding European Application No. 15835591.7 dated Apr. 11, 2018, 16 pps.

(\*\*) Term: **15 Years**

(Continued)

(21) Appl. No.: **29/678,144**

*Primary Examiner* — Terry A Wallace

(22) Filed: **Jan. 25, 2019**

(74) *Attorney, Agent, or Firm* — Foley & Lardner LLP

**Related U.S. Application Data**

(60) Continuation of application No. 29/610,683, filed on Jul. 14, 2017, now Pat. No. Des. 839,062, which is a division of application No. 29/537,872, filed on Aug. 28, 2015, now Pat. No. Des. 795,029.

(57) **CLAIM**

I claim the ornamental design for a tool, as shown and described.

(51) **LOC (12) Cl.** ..... **08-05**

(52) **U.S. Cl.**  
USPC ..... **D8/14; D7/693**

**DESCRIPTION**

(58) **Field of Classification Search**  
USPC ..... D7/680–696; D8/98, 14, 47  
CPC ..... B26B 27/005; B26B 3/00; B67B 7/38;  
B67B 7/24; A47J 25/00; F25C 5/043  
See application file for complete search history.

FIG. 1 is a top, rear, left perspective view of an embodiment of the claimed design;  
FIG. 2 is a rear elevation view thereof;  
FIG. 3 is a front elevation view thereof;  
FIG. 4 is a right elevation view thereof;  
FIG. 5 is a left elevation view thereof;  
FIG. 6 is a top plan view thereof; and,  
FIG. 7 is a bottom plan view thereof.

(56) **References Cited**

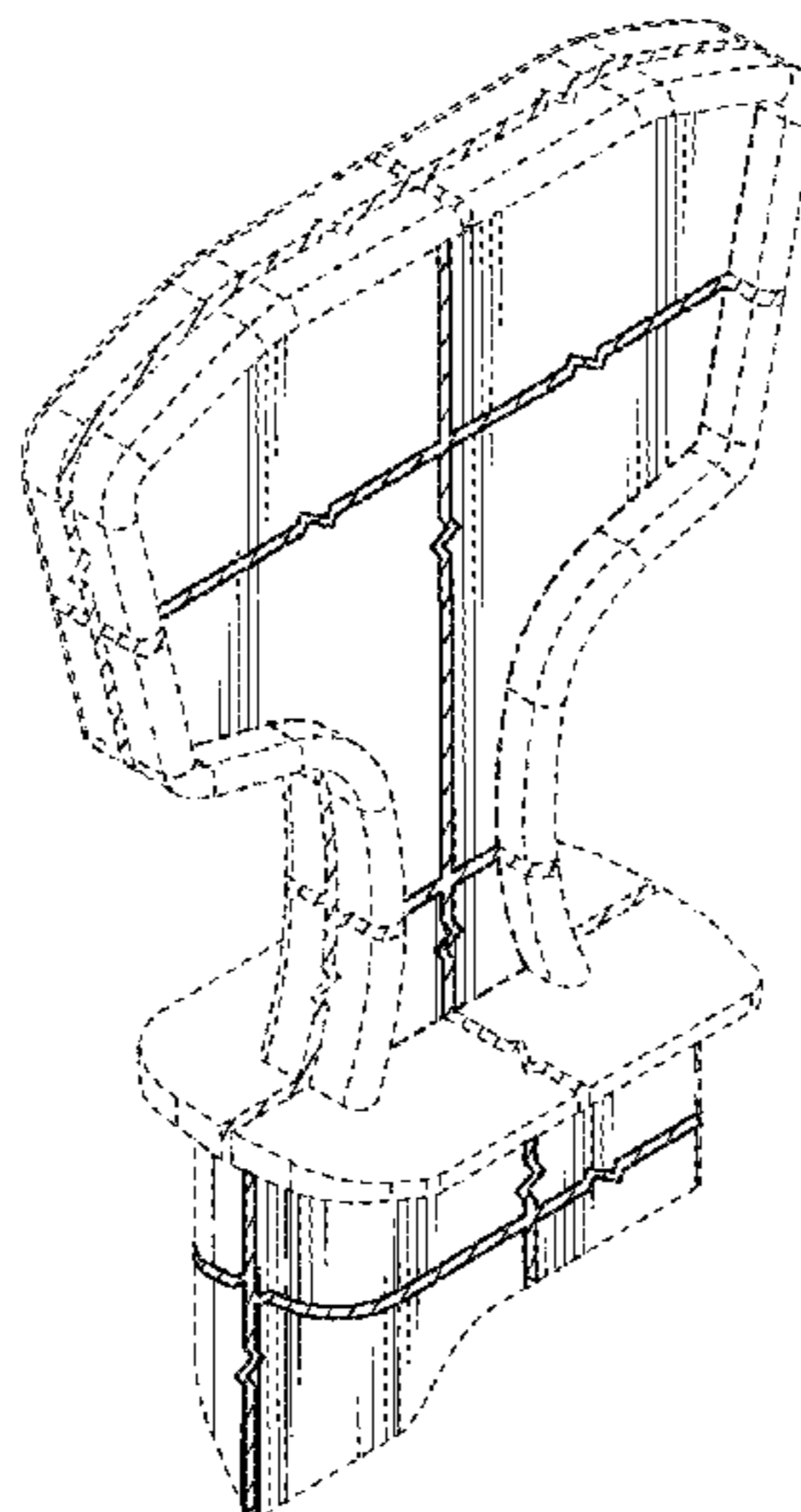
U.S. PATENT DOCUMENTS

1,006,623 A	10/1911	Barrett
D50,625 S	4/1917	Lund
1,556,206 A	4/1923	Dickey
1,528,283 A	3/1925	Whitesides
1,576,388 A	3/1926	Whitesides
D83,729 S	3/1931	Hills
1,859,126 A	5/1932	Boeuf
1,912,304 A	5/1933	Phillips
2,244,071 A	6/1941	Landrus
2,442,126 A	5/1948	Halstead

The ornamental design which is claimed is shown in solid lines in the drawings. The broken lines in the drawings form no part of the claimed design. Broken lines formed by equal length dashes show unclaimed subject matter. Broken lines formed by unequal length dashes (i.e., dash-dot) define bounds of the claimed design. Broken away symbols having a jagged element show that no particular length of the portion is claimed.

(Continued)

**1 Claim, 4 Drawing Sheets**





(56)

References Cited

U.S. PATENT DOCUMENTS

6,860,407 B2 3/2005 Gosselin  
 6,871,015 B2 3/2005 Gutierrez et al.  
 D506,369 S \* 6/2005 Norton ..... D8/14  
 D509,137 S 9/2005 Hierzer et al.  
 6,938,801 B1 9/2005 Reddy et al.  
 D515,919 S 2/2006 Hierzer et al.  
 7,007,824 B2 3/2006 Danby et al.  
 7,025,230 B1 4/2006 Salmela  
 7,147,134 B2 12/2006 Gutierrez et al.  
 7,262,838 B2 8/2007 Fritz  
 7,278,553 B2 10/2007 Py et al.  
 7,322,491 B2 1/2008 Py et al.  
 7,357,277 B2 4/2008 Verespej et al.  
 7,455,200 B2 11/2008 Gehl et al.  
 D583,022 S 12/2008 Soulier  
 D585,965 S 2/2009 Kohler et al.  
 D589,123 S 3/2009 Soulier  
 7,651,015 B2 1/2010 Girard et al.  
 D613,558 S 4/2010 Gold et al.  
 7,731,060 B2 6/2010 Jones  
 7,770,408 B2 8/2010 Kim et al.  
 7,789,269 B2 9/2010 Pritchard  
 D627,223 S 11/2010 Storti et al.  
 D628,035 S \* 11/2010 Paige ..... D8/14  
 7,828,020 B2 11/2010 Girard et al.  
 7,850,051 B2 12/2010 Py et al.  
 D632,144 S 2/2011 Weisenbach  
 7,971,604 B2 7/2011 McDonald et al.  
 7,980,424 B2 7/2011 Johnson  
 8,091,735 B2 1/2012 Girard et al.  
 8,146,780 B2 4/2012 Compton et al.  
 D659,008 S 5/2012 Gately et al.  
 8,205,771 B2 6/2012 Compton  
 8,206,034 B2 6/2012 Keen et al.  
 D671,620 S 11/2012 March et al.  
 8,336,740 B1 12/2012 Daansen  
 8,353,428 B2 1/2013 Pritchard  
 8,371,476 B2 2/2013 Weissbrod  
 8,474,495 B2 7/2013 Singleton et al.  
 8,528,807 B2 9/2013 Kaneko  
 D696,943 S 1/2014 Kim  
 8,887,960 B2 11/2014 Hardman  
 D718,621 S 12/2014 Mitchell et al.  
 D719,403 S 12/2014 Halioua  
 D720,188 S 12/2014 Burke et al.  
 D731,273 S \* 6/2015 McPeak Ford ..... D8/402  
 D731,310 S 6/2015 Demey et al.  
 D731,839 S 6/2015 Tomasson et al.  
 D732,330 S 6/2015 Cha et al.  
 9,045,260 B2 6/2015 Norris et al.  
 D754,536 S 4/2016 Arriaga  
 D755,045 S 5/2016 Kuo  
 D758,810 S \* 6/2016 Peterson ..... D7/693  
 9,370,273 B2 6/2016 Li et al.  
 D763,077 S 8/2016 Mitchell et al.  
 D764,912 S 8/2016 Houyoux  
 9,585,513 B2 3/2017 Hanes et al.  
 D782,907 S 4/2017 Sowieja et al.  
 D792,164 S 7/2017 Mitchell et al.  
 9,717,354 B2 8/2017 Gehl et al.  
 D798,106 S 9/2017 Sowieja et al.  
 2002/0092879 A1 7/2002 Chrisman et al.  
 2002/0179605 A1 12/2002 Miani et al.  
 2003/0015556 A1 1/2003 Wild et al.  
 2003/0066978 A1 4/2003 Enerson  
 2003/0116584 A1 6/2003 Gutierrez et al.  
 2004/0222233 A1 11/2004 Gosselin  
 2004/0238563 A1 12/2004 Lin  
 2005/0121464 A1 6/2005 Miller et al.  
 2005/0167443 A1 8/2005 Sanfilippo et al.  
 2005/0167444 A1 8/2005 Sanfilippo et al.  
 2005/0252937 A1 11/2005 Gehl et al.  
 2006/0011640 A1 1/2006 Shaygan  
 2006/0071020 A1 4/2006 Wiesner et al.  
 2006/0138167 A1 6/2006 McMahon et al.

2007/0029343 A1 2/2007 Sanfilippo et al.  
 2008/0029540 A1 2/2008 Johnson  
 2008/0078781 A1 4/2008 Py et al.  
 2008/0083788 A1 4/2008 Py et al.  
 2008/0105701 A1 5/2008 Niss et al.  
 2008/0116225 A1 5/2008 Py et al.  
 2008/0116226 A1 5/2008 Py et al.  
 2008/0169309 A1 7/2008 Kroeger  
 2008/0314923 A1 12/2008 Faller et al.  
 2009/0020559 A1 1/2009 Sanfilippo et al.  
 2009/0283541 A1 11/2009 Compton et al.  
 2010/0038380 A1 2/2010 Compton  
 2010/0147884 A1 6/2010 Compton et al.  
 2010/0176155 A1 7/2010 Baron et al.  
 2010/0264146 A1 10/2010 Casale et al.  
 2010/0288767 A1 11/2010 Seelhofer  
 2011/0017774 A1 1/2011 Pritchard  
 2011/0024463 A1 2/2011 Py et al.  
 2011/0042410 A1 2/2011 Paulen  
 2011/0108572 A1 5/2011 Murray  
 2012/0046785 A1 2/2012 Deo et al.  
 2012/0152976 A1 7/2012 Yoshida et al.  
 2012/0211519 A1 8/2012 Hauner et al.  
 2014/0069963 A1 3/2014 Stein  
 2015/0102057 A1 4/2015 Gehl et al.  
 2016/0129464 A1 5/2016 Frommer  
 2017/0121167 A1 5/2017 Johnson et al.  
 2017/0251846 A1 9/2017 Sowieja et al.  
 2017/0251847 A1 9/2017 Gehl et al.

FOREIGN PATENT DOCUMENTS

CN 101516762 A 8/2009  
 EM 000574843-0003 8/2006  
 EP 0 150 144 7/1985  
 EP 0 538 91 2/1986  
 EP 0 409 759 A1 1/1991  
 EP 0 962 421 12/1999  
 EP 1 264 776 A1 12/2002  
 GB 2 068 910 A 8/1981  
 GB 2 154 991 9/1985  
 JP 52-001760 2/1955  
 JP H09-104474 4/1997  
 JP 2002-211596 A 7/2002  
 JP 2009-249042 A 10/2009  
 KR 10-2012-0099678 A 9/2012  
 KR 1020120099678 9/2012  
 TW D122024 3/2008  
 TW D122218 4/2008  
 TW D165705 2/2015  
 WO WO-2013/029163 3/2013

OTHER PUBLICATIONS

Dispenser Value with Chili Sauce Bag in Box by Gehls, dated Jan. 6, 2014, found online Apr. 28, 2018, <https://www.roundeyesupply.com/Gehls-Dispenser-Value-With-Chili-Sauce-Bag-In-Box-p/de439156.htm>.  
 DS Smith Plastics, <http://www.dssmith.com/plastics/offering/flexible-packaging--dispensing-solutions/rapak/rapak-bags/>, date accessed: Sep. 30, 2014, 3 pages.  
 International Preliminary Report on Patentability for Application No. PCT/US2014/059119, dated Apr. 21, 2016, 10 pages.  
 International Search Report and Written Opinion for International Application No. PCT/US2014/059119, dated Feb. 25, 2015, 12 pages.  
 International Search Report and Written Opinion for International Application No. PCT/US2015/047491, dated Oct. 29, 2015, 14 pages.  
 Liqui-Box, "Fitments", <http://www.liquibox.com/fitments>, date accessed: Sep. 26, 2014, 2 pages.  
 Scholle Packaging, <http://www.scholle.com/products>, date accessed: Sep. 30, 2014, 3 pages.  
 Alibaba, 3-way Ball Valve, 2016, [https://www.alibaba.com/product-detail/10000psi-cng-dispenser-3-way-ball\\_1797882372.html](https://www.alibaba.com/product-detail/10000psi-cng-dispenser-3-way-ball_1797882372.html).

(56)

**References Cited**

OTHER PUBLICATIONS

Balaji Tube Corporation, Valves, 2016, [http://www.balajitube.com/?page\\_id=55](http://www.balajitube.com/?page_id=55).  
Communication on EP Application No. 14851552.1, dated Mar. 13, 2019, 2 pages.  
Communication on EP Application No. 14851552.1, dated Sep. 14, 2018, 2 pages.  
Examination Report on AU Application No. 2014332235, dated Apr. 3, 2018, 5 pages.  
Examiner's Report on CA Application No. 161166, dated May 14, 2015, 23 pages.  
Examiner's Report on CA Application No. 161166, dated Nov. 3, 2015, 12 pages.  
Examiner's Report on CA Application No. 161167, dated May 14, 2015, 25 pages.  
Examiner's Report on CA Application No. 161168, dated May 14, 2015, 32 pages.  
Extended European Search Report on EP Application No. 15835591.7, dated Jul. 19, 2018, 4 pages.  
International Preliminary Report on Patentability for International Application No. PCT/US2015/047491, dated Feb. 28, 2017, 10 pages.  
Office Action on CN Application No. 201480067462.3, dated Mar. 1, 2019, 8 pages with translation.

Office Action on CN Application No. 201480067462.3, dated May 30, 2018, 21 pages with translation.  
Office Action on CN Application No. 201580054261.4, dated Aug. 2, 2018, 7 pages, with translation.  
Office Action on CN Application No. 201580054261.4, dated Feb. 24, 2018, 5 pages with translation.  
Office Action on IN Application No. 280876, dated Jun. 20, 2016, 2 pages.  
Office Action on JP Application No. 2016-547839, dated Jan. 22, 2018 25 pages with translation.  
Office Action on JP Application No. 2016-547839, dated Nov. 5, 2018, 16 pages with translation.  
Office Action on JP Application No. 2017-510573 dated Sep. 6, 2019 (16 pages).  
Office Action on TW Application No. 105300945, dated Oct. 25, 2016, 4 pages with translation.  
Partial European Search Report on EP Application No. 15835591.7 dated Apr. 4, 2018, 14 pages.  
Steeltubedirect.co.uk: ERW Tunnel Section Steel Tube and Pipe, 1 page, Jan. 7, 2016, [http://www.steeltubedirect.co.uk/product\\_selector.aspx?category=100002&shape=155](http://www.steeltubedirect.co.uk/product_selector.aspx?category=100002&shape=155).  
Supplementary European Search Report on EP 14851552.1, dated Jun. 23 2017, 4 pages.

\* cited by examiner

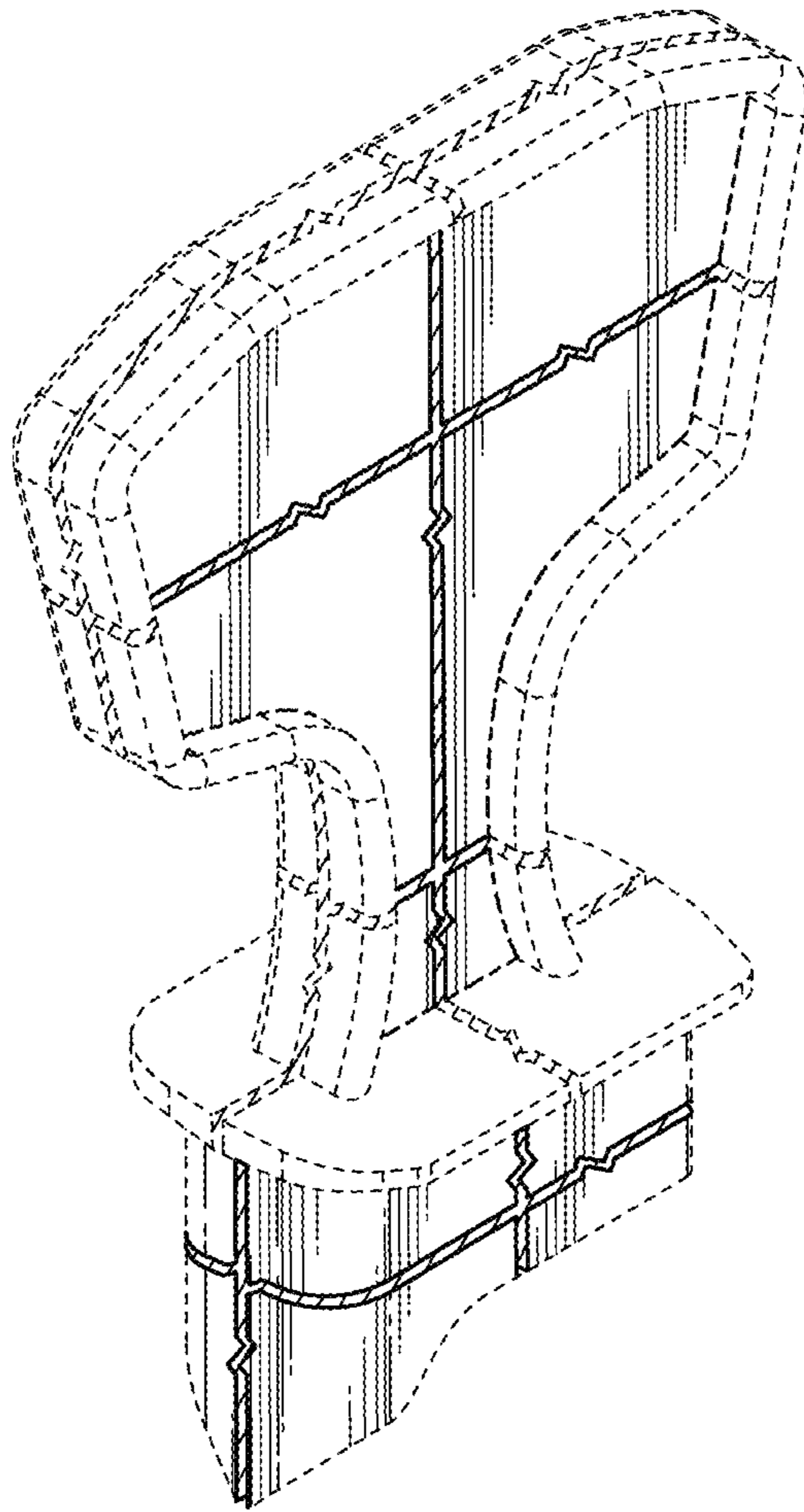


FIG. 1

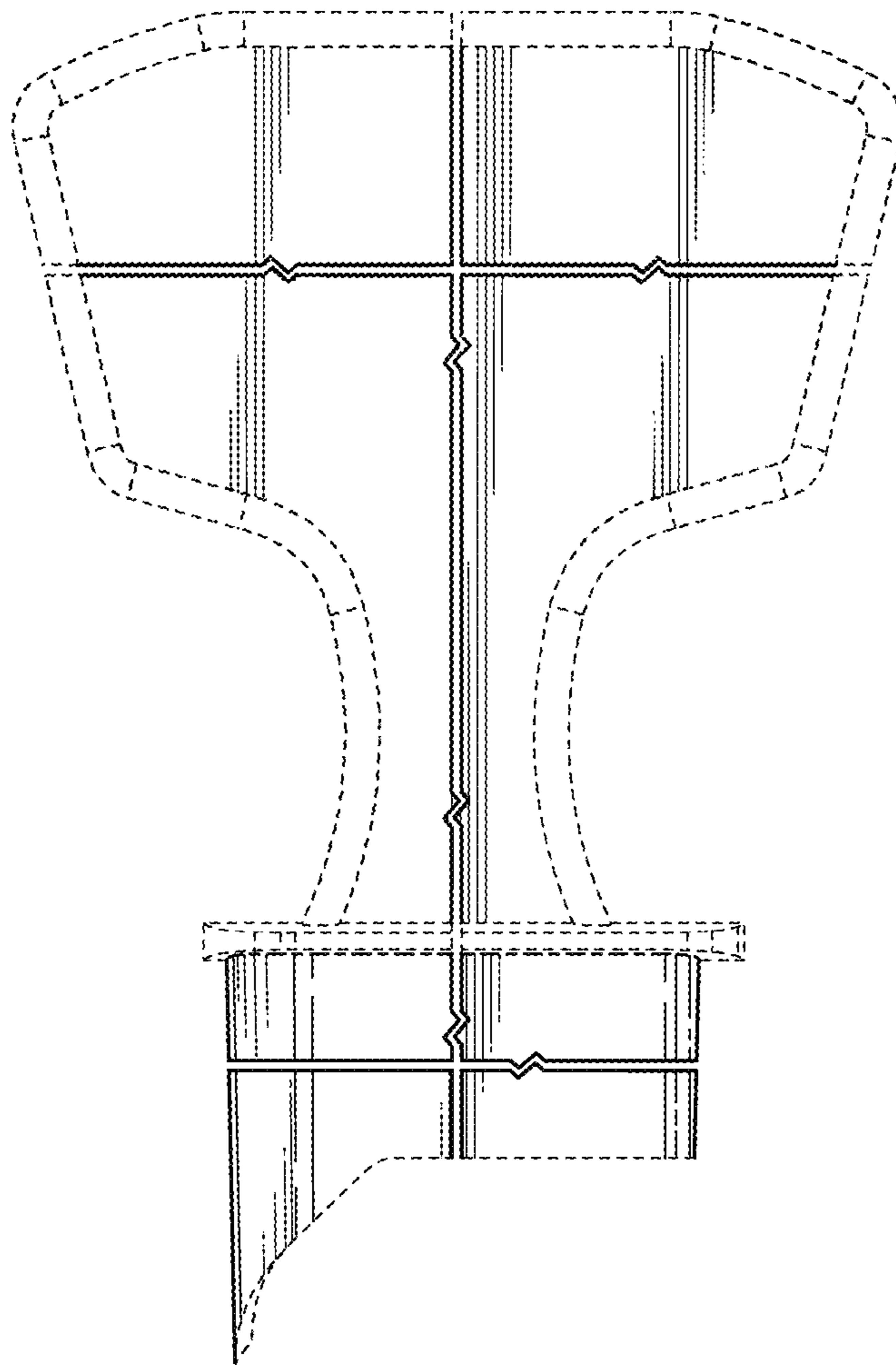


FIG. 2

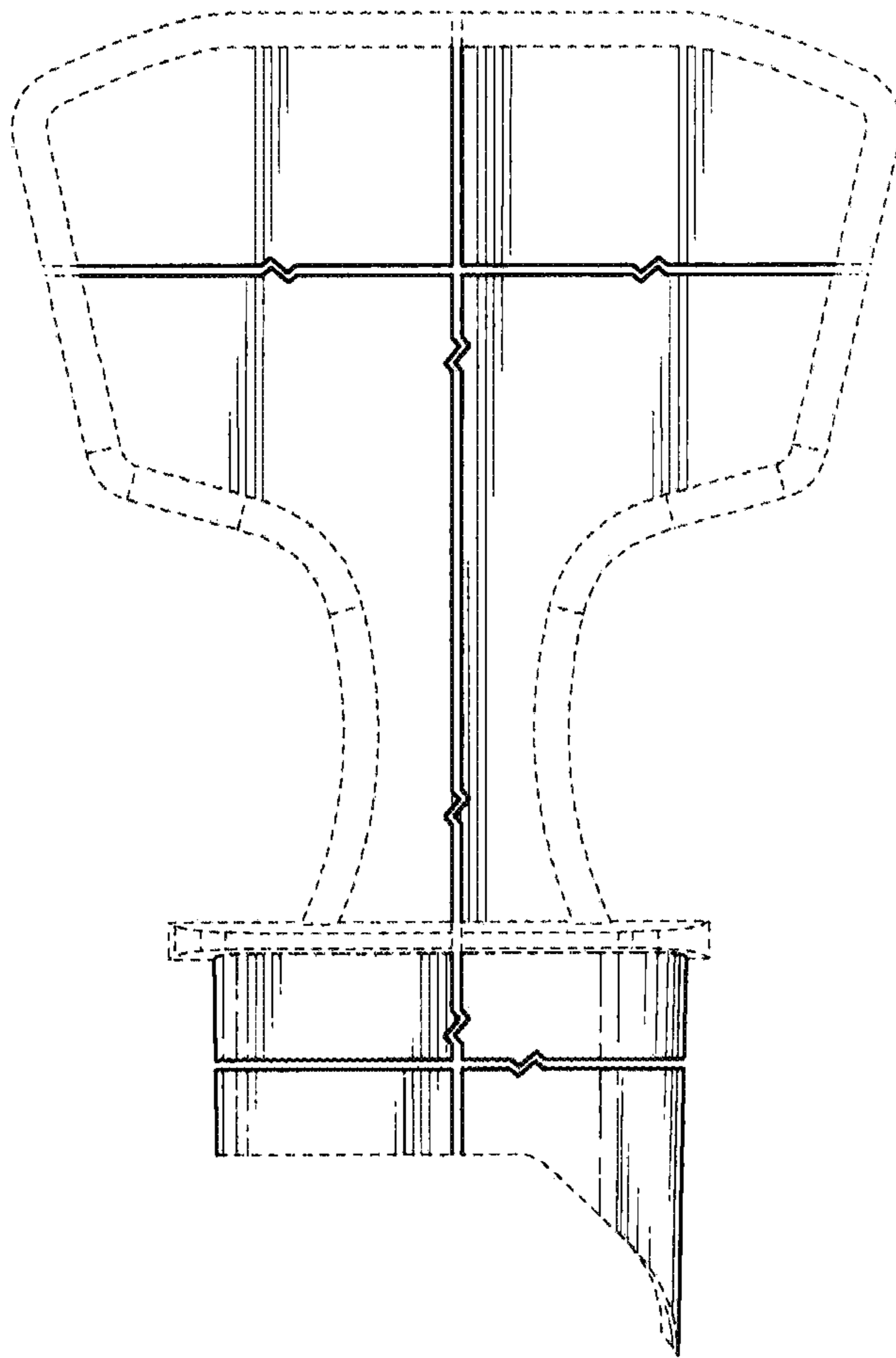


FIG. 3

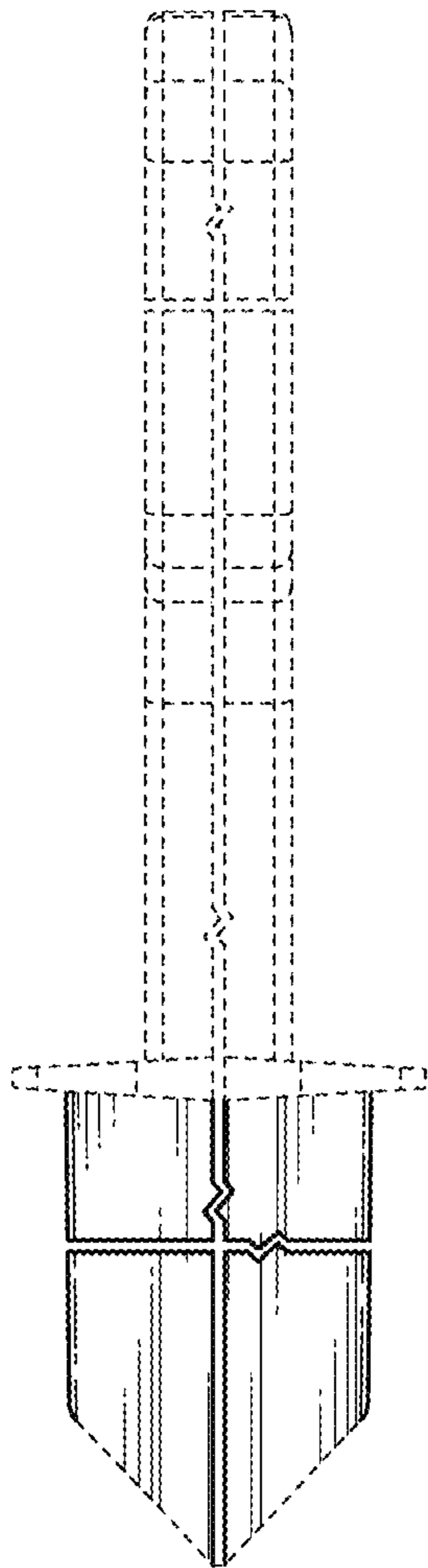


FIG. 4

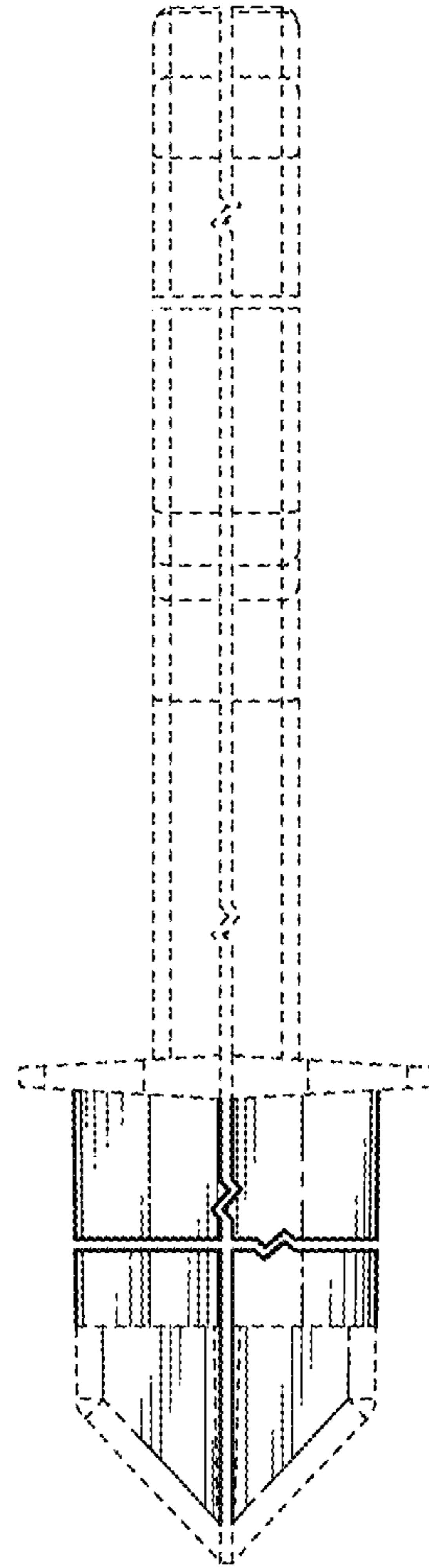


FIG. 5

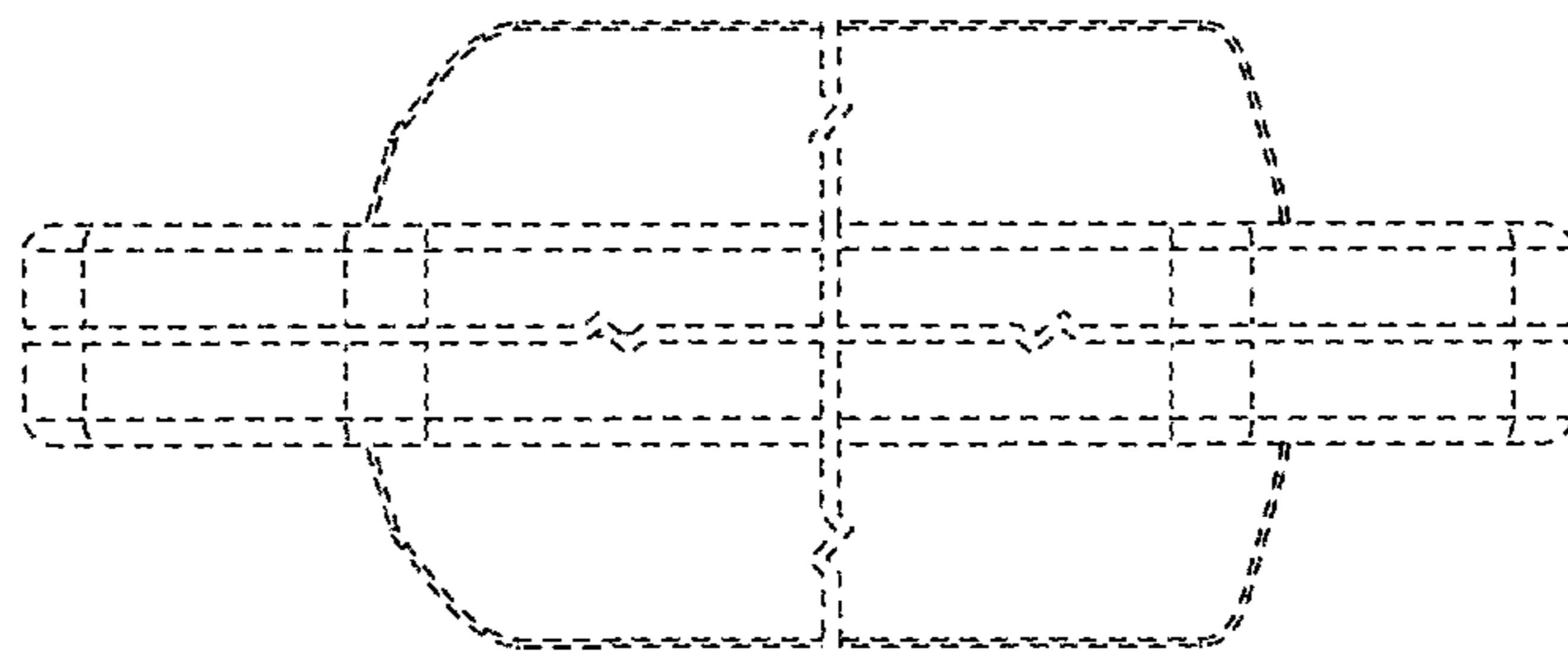


FIG. 6

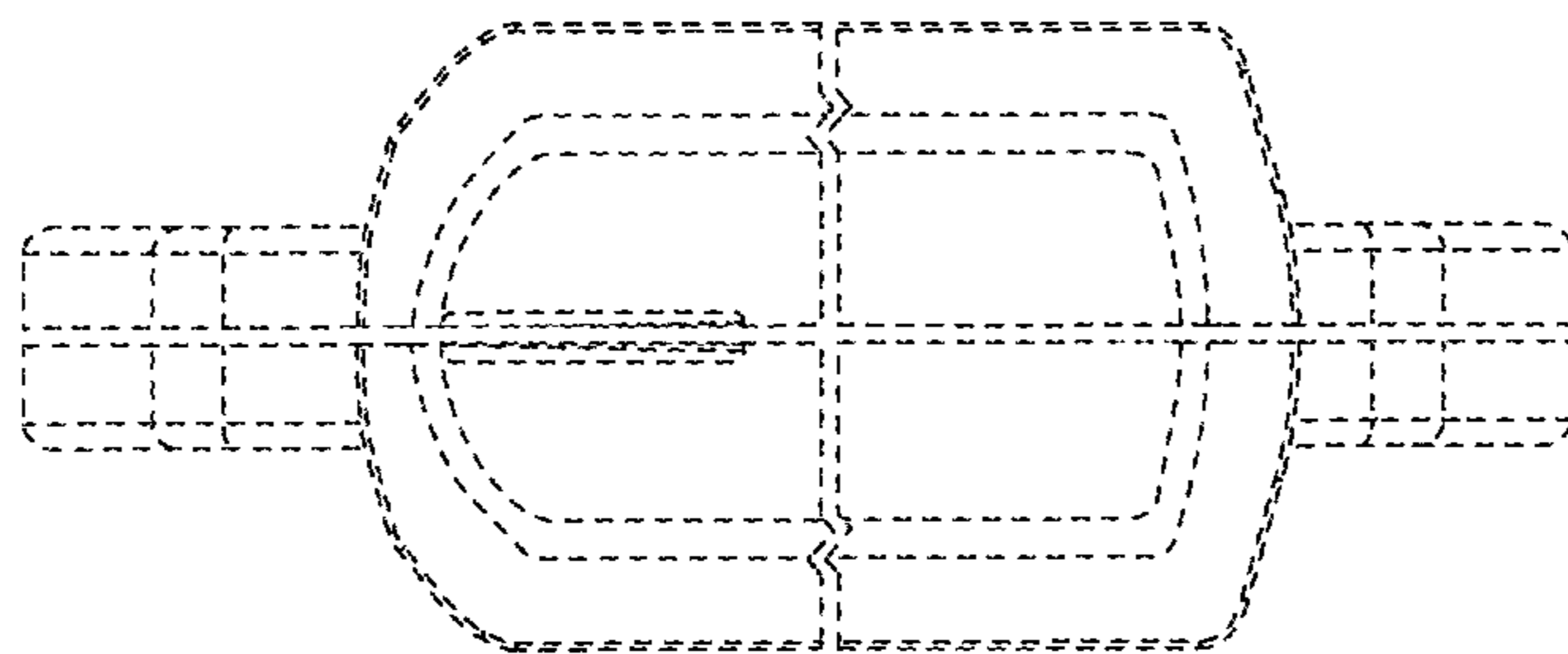


FIG. 7