



US00D887229S

(12) **United States Design Patent**
Merritt

(10) **Patent No.:** **US D887,229 S**
(45) **Date of Patent:** **** Jun. 16, 2020**

(54) **ASH TOOL**

(71) Applicant: **Matthew H Merritt**, Ponte Vedra Beach, FL (US)

(72) Inventor: **Matthew H Merritt**, Ponte Vedra Beach, FL (US)

(**) Term: **15 Years**

(21) Appl. No.: **29/607,547**

(22) Filed: **Jun. 14, 2017**

(51) **LOC (12) Cl.** **08-05**

(52) **U.S. Cl.**
USPC **D8/14**

(58) **Field of Classification Search**
USPC D8/10, 14, 88, 89; D23/403, 420; D32/51
CPC F24B 15/00; F24B 15/002; F24B 15/007; F24B 15/02; F24B 1/191; F24B 1/1915; F24B 15/06; B66F 15/00
See application file for complete search history.

(56) **References Cited**

U.S. PATENT DOCUMENTS

- 1,238,593 A * 8/1917 Strait F24B 15/00 294/13
- D54,308 S * 12/1919 Dencker D8/89
- D202,687 S * 10/1965 Estwing D8/89
- D242,687 S * 12/1976 Broberg, Jr. D32/49
- D248,209 S * 6/1978 Holleman D8/14

(Continued)

OTHER PUBLICATIONS

SmokeWare—Grate Ash Tool: Premium Quality 3-in-1 Ash Tool, Earliest Review Date: Nov. 2, 2015, Image retrieved Dec. 7, 2018

(Online), 5 Pages, <https://www.amazon.com/SmokeWare-Premium-Quality-3-1/dp/B013J610SW/ref=cm_cr_arp_d_product_top?ie=UTF8>.*

Primary Examiner — Sandra S Snapp
Assistant Examiner — Ieisha N Price
(74) *Attorney, Agent, or Firm* — Mark Young, PA

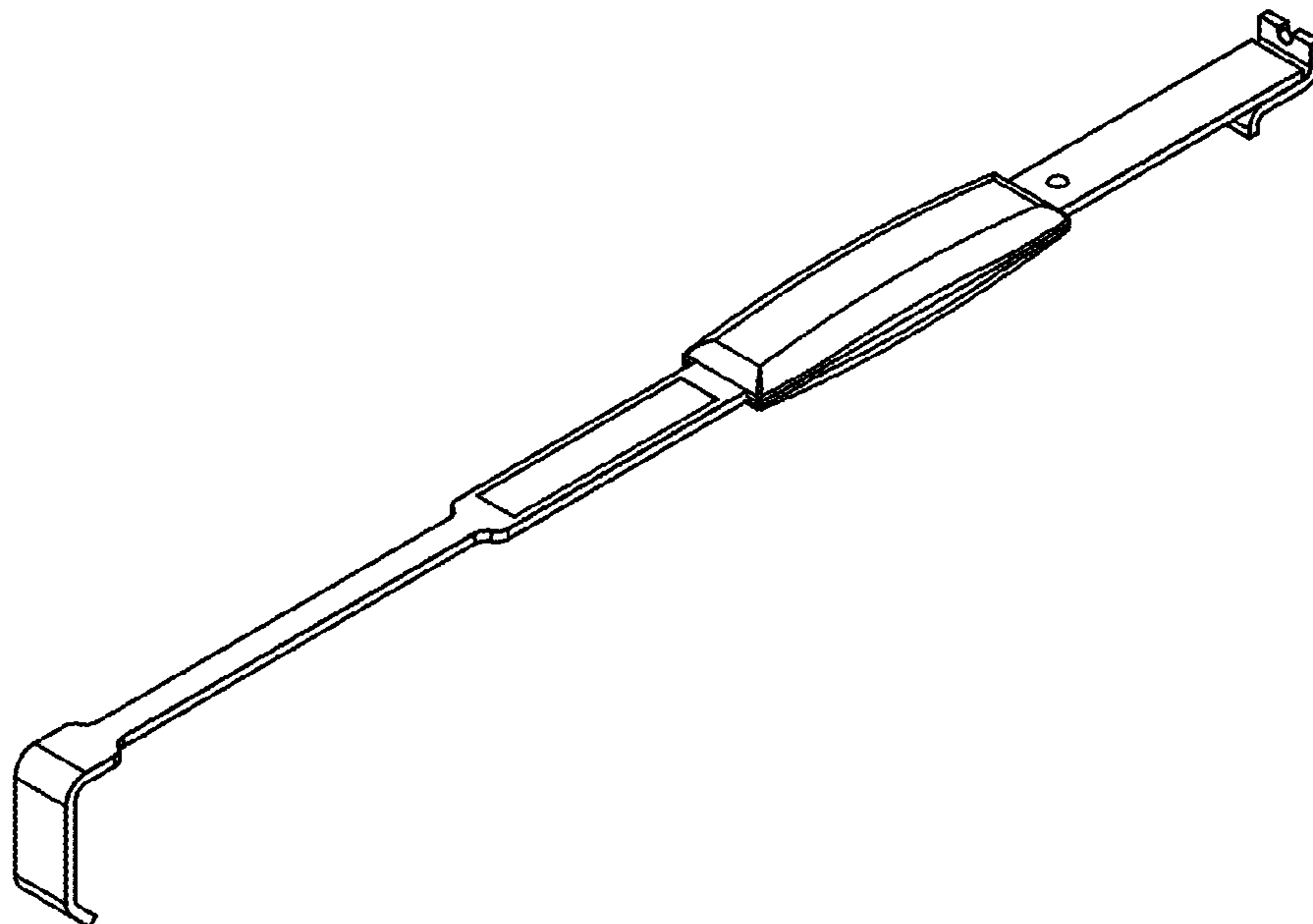
(57) **CLAIM**

The ornamental design for an ash tool, as shown and described.

DESCRIPTION

FIG. 1 is a top plan view of an ash tool according to the invention; and
 FIG. 2 is a left side view of the ash tool of FIG. 1; and
 FIG. 3 is an enlarged front view of the ash tool of FIG. 1; and
 FIG. 4 is a bottom plan view of the ash tool of FIG. 1; and
 FIG. 5 is a back view of the ash tool of FIG. 1; and
 FIG. 6 is a right side view of the ash tool of FIG. 1; and
 FIG. 7 is a first top perspective view of the ash tool of FIG. 1; and
 FIG. 8 is a second top perspective view of the ash tool of FIG. 1; and
 FIG. 9 is a third top perspective view of the ash tool of FIG. 1; and
 FIG. 10 is a fourth top perspective view of the ash tool of FIG. 1; and
 FIG. 11 is a first bottom perspective view of the ash tool of FIG. 1; and
 FIG. 12 is a second bottom perspective view of the ash tool of FIG. 1; and
 FIG. 13 is a third bottom perspective view of the ash tool of FIG. 1; and,
 FIG. 14 is a fourth bottom perspective view of the ash tool of FIG. 1.

1 Claim, 14 Drawing Sheets



(56)

References Cited

U.S. PATENT DOCUMENTS

D255,977 S * 7/1980 Holleman D8/14
D352,220 S * 11/1994 Schroeder D8/89
D363,150 S * 10/1995 Boyer D32/35
D367,597 S * 3/1996 Westcott D8/14
D377,699 S * 1/1997 McLaughlin D32/46
D386,859 S * 11/1997 Rostron D32/49
6,000,739 A * 12/1999 Zemit A47J 45/10
126/25 R
6,257,553 B1 * 7/2001 Khachatoorian B66F 15/00
254/21
D511,287 S * 11/2005 Lake D8/14
7,131,675 B1 * 11/2006 Loucks F24B 15/002
294/10
D571,517 S * 6/2008 Zion D32/49
D596,913 S * 7/2009 Anderson D8/89
8,794,597 B1 * 8/2014 Ingesson A62B 3/005
254/104
D718,109 S * 11/2014 Gantt, Jr. D8/89
D750,336 S * 2/2016 Taylor, III D32/49
D750,456 S * 3/2016 Cleary D8/14
D772,373 S * 11/2016 Calbi D22/108
2006/0097529 A1 * 5/2006 White A47J 37/0786
294/10
2009/0230369 A1 * 9/2009 Kurtz B66F 15/00
254/131
2009/0315351 A1 * 12/2009 Biddington F24B 15/002
294/14
2011/0113566 A1 * 5/2011 Holbrook B25F 1/006
7/146
2013/0198967 A1 * 8/2013 Ortiz B25G 1/10
7/166
2016/0007800 A1 * 1/2016 Carlin A47J 37/0786
294/9

* cited by examiner



FIG. 1

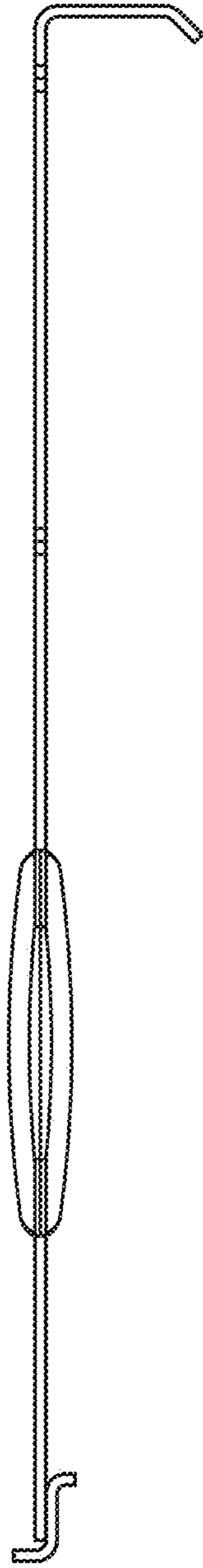


FIG. 2

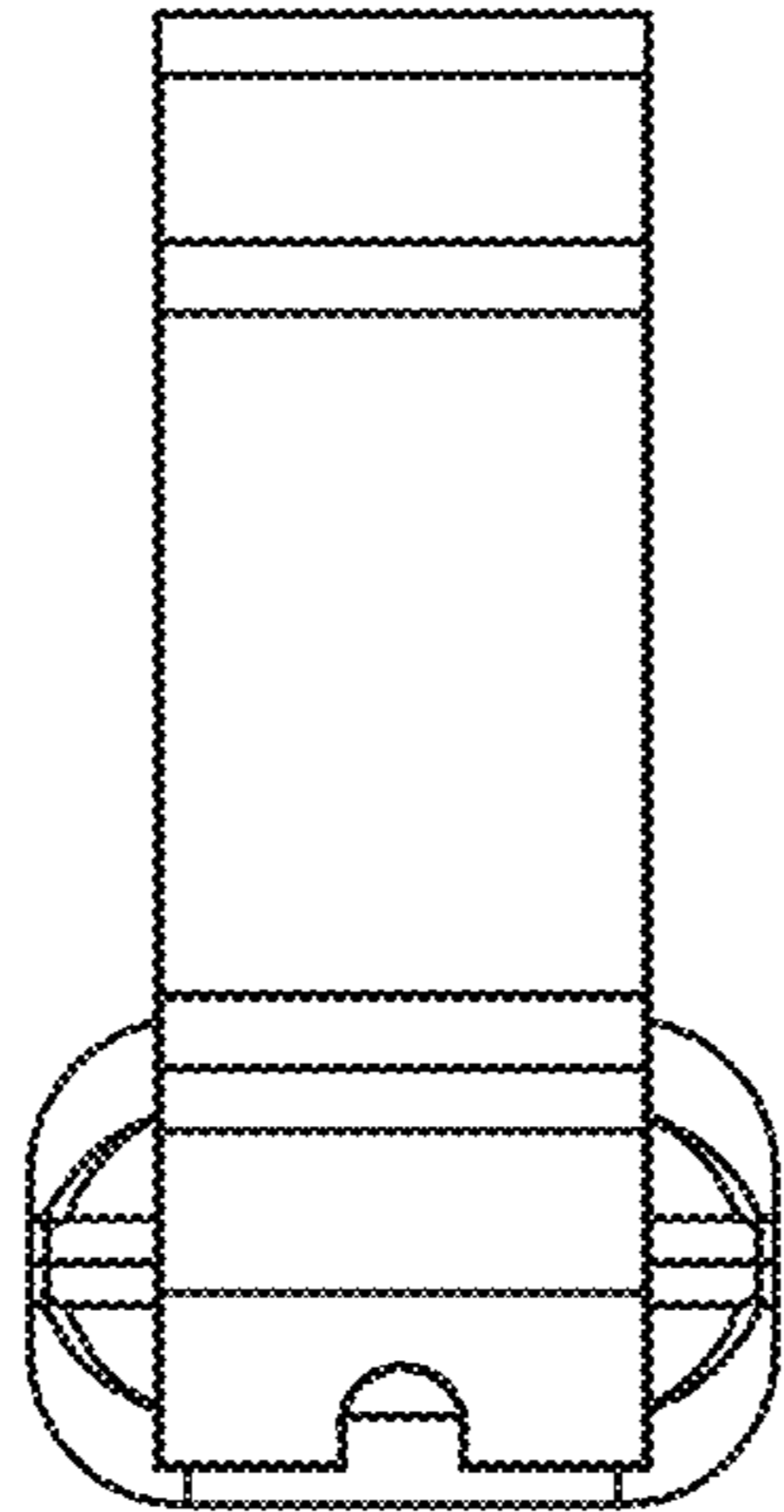


FIG. 3

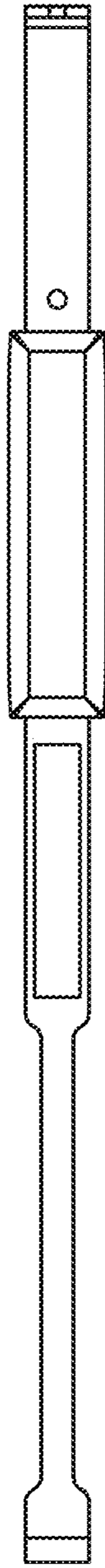


FIG. 4

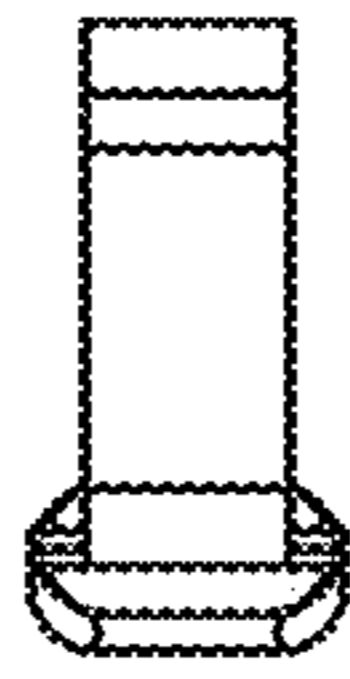


FIG. 5

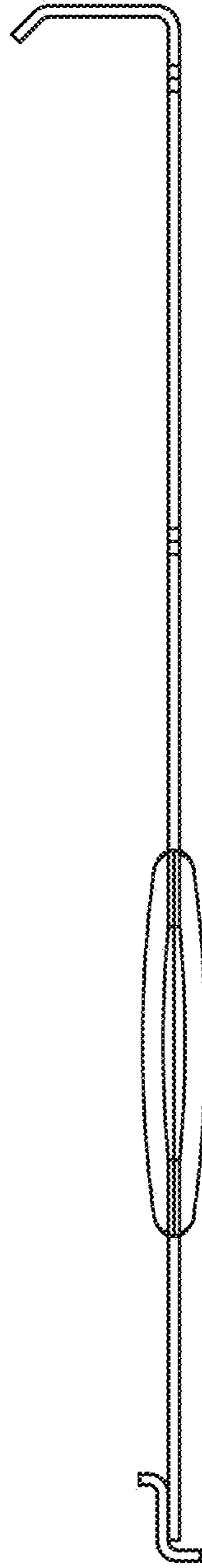


FIG. 6

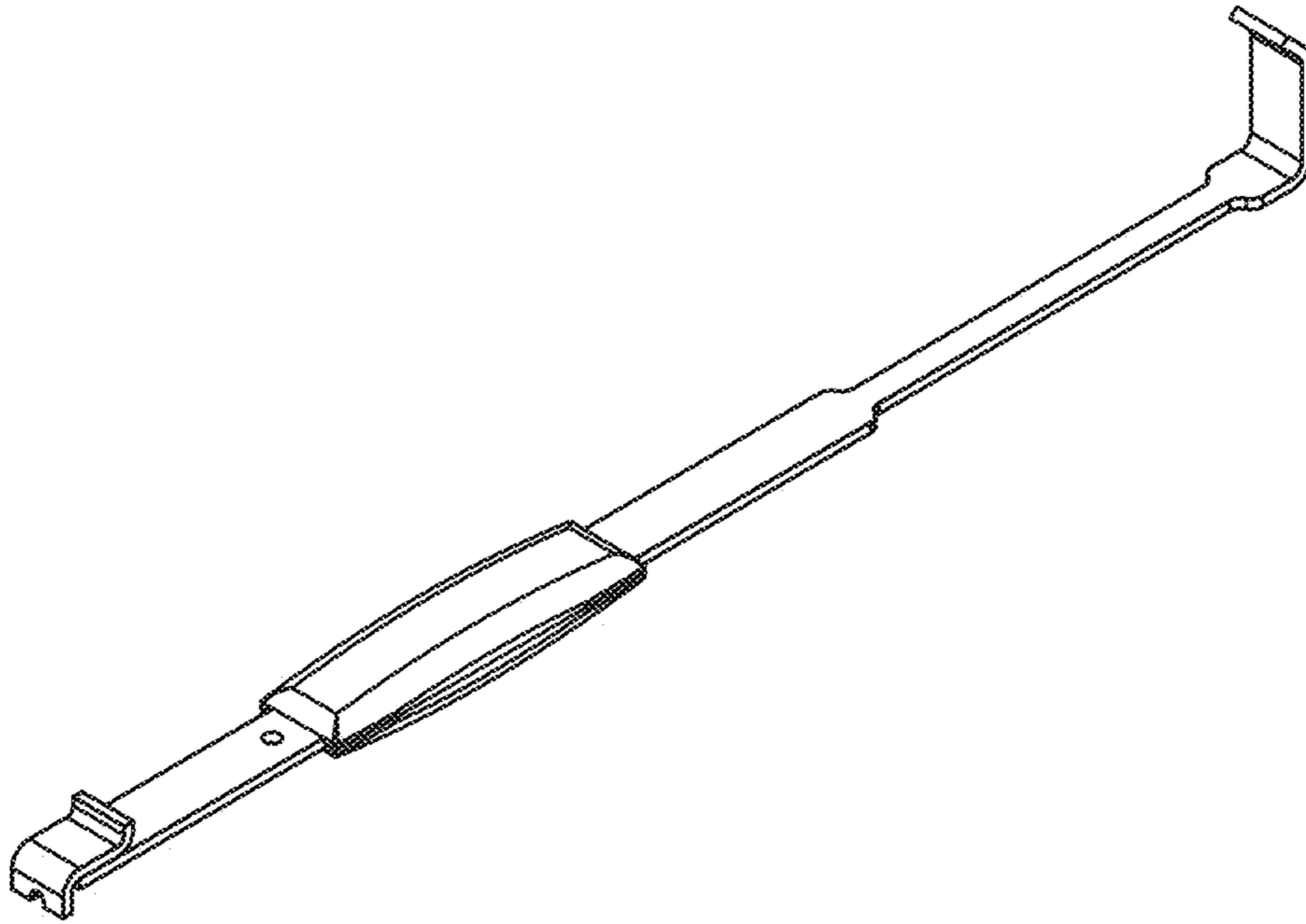


FIG. 7

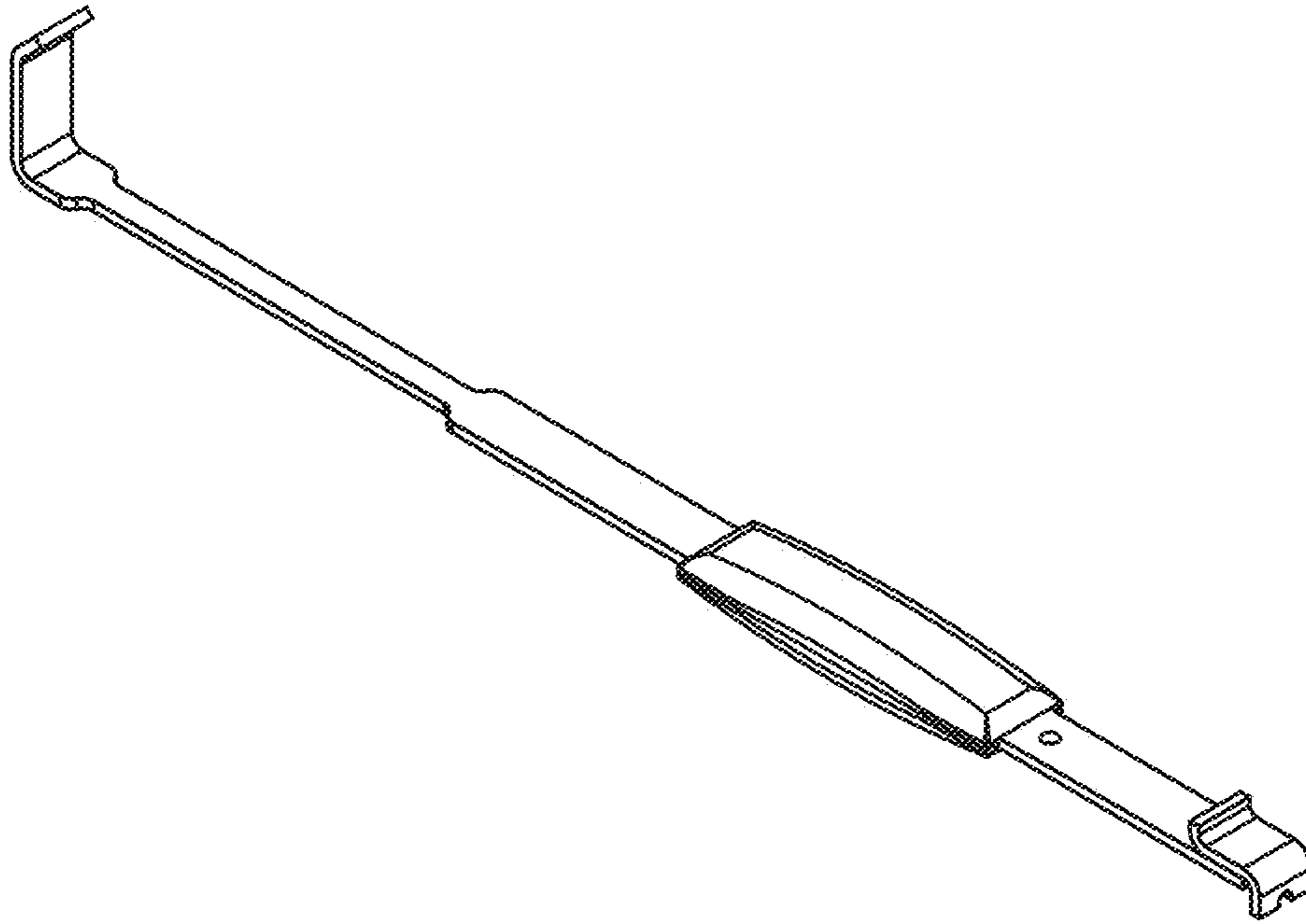


FIG. 8

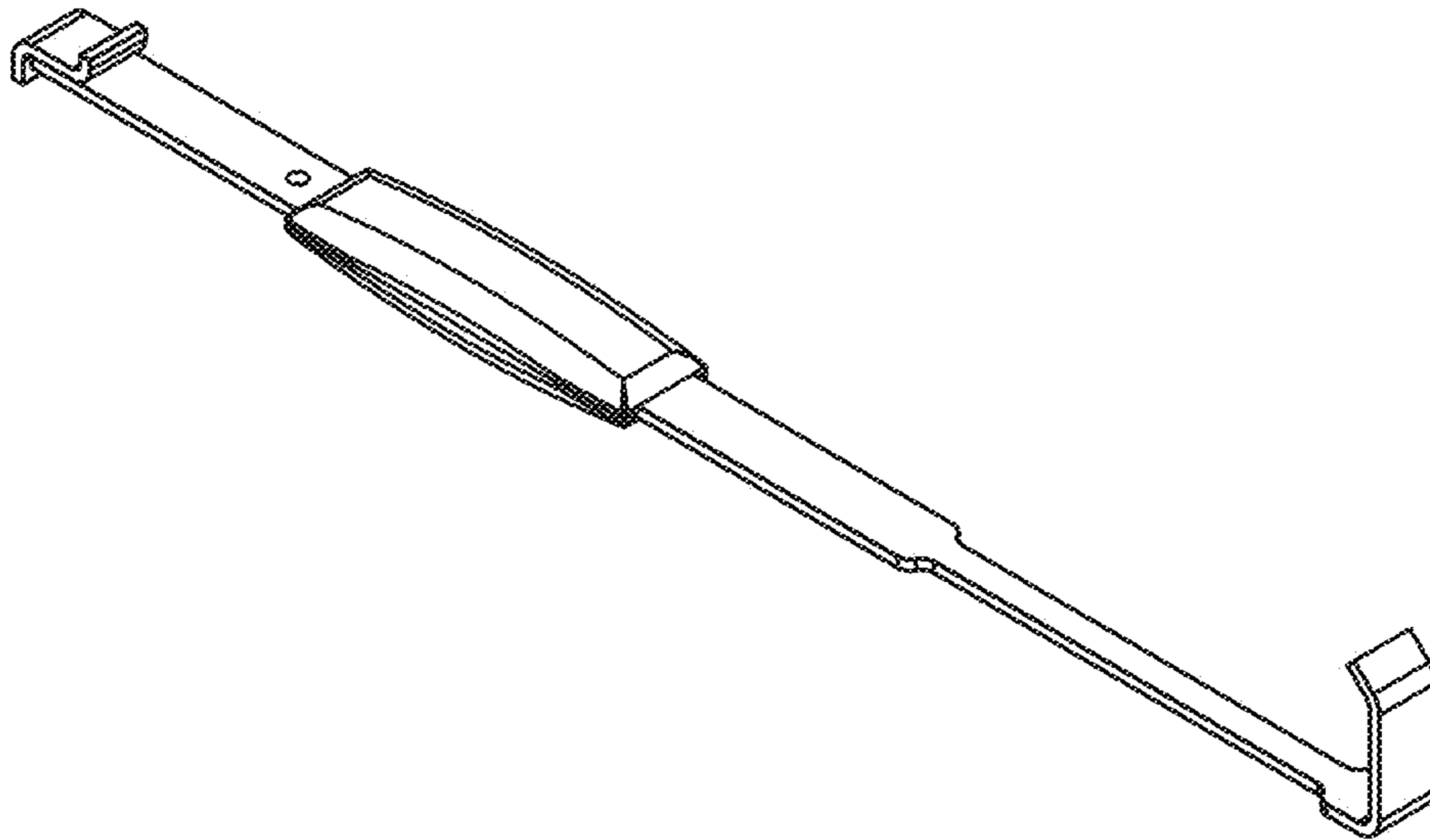


FIG. 9

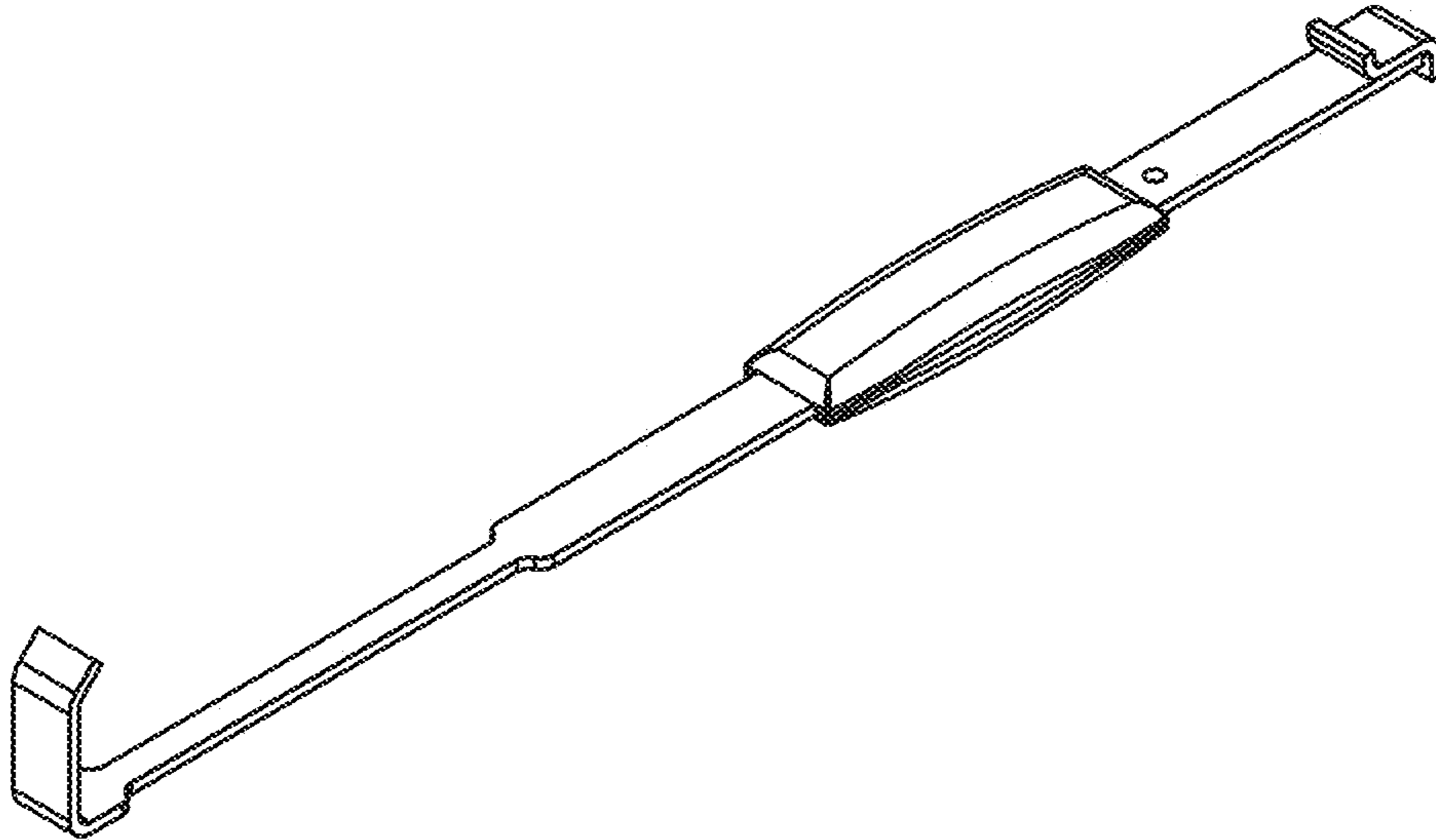


FIG. 10

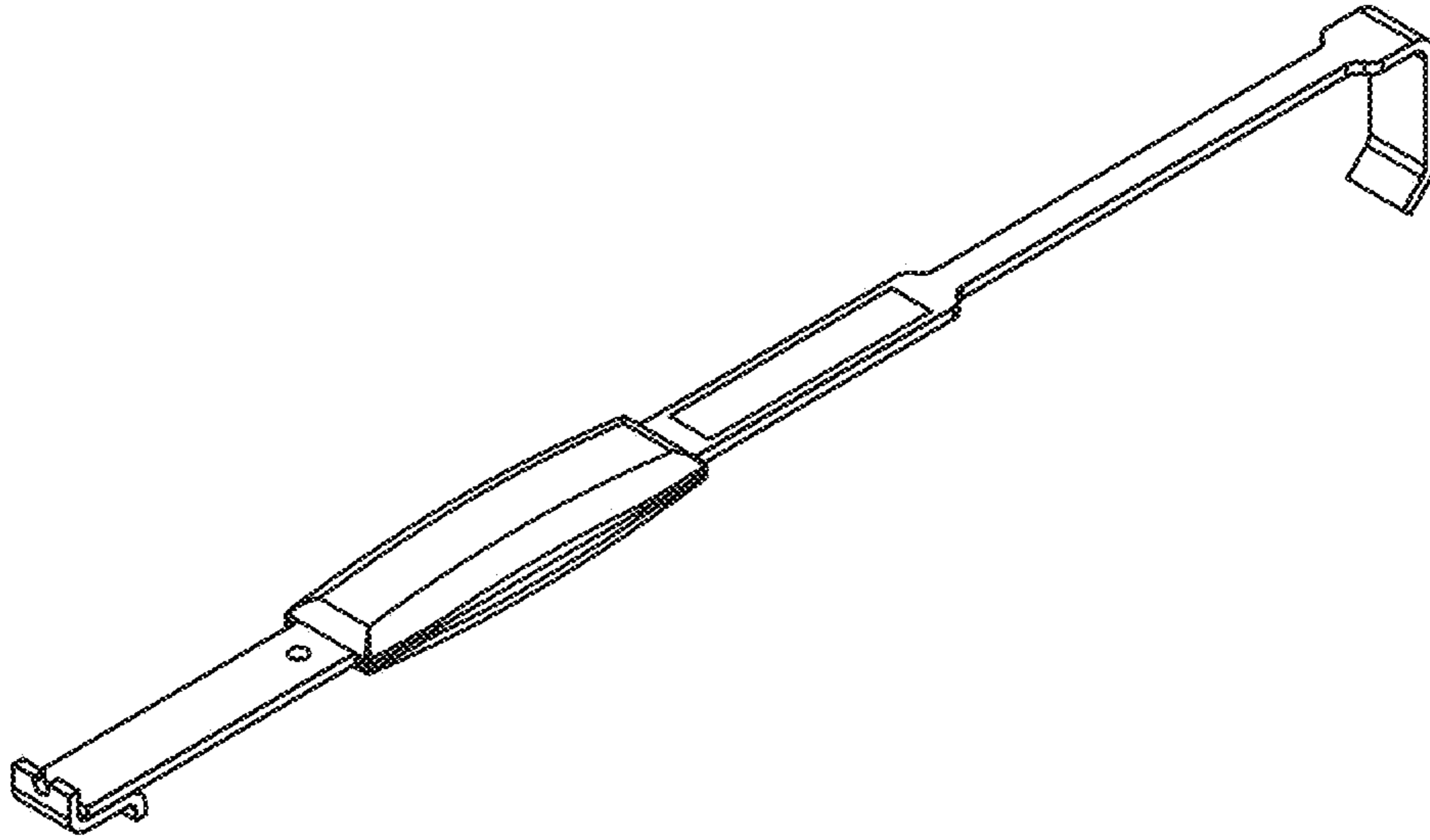


FIG. 11

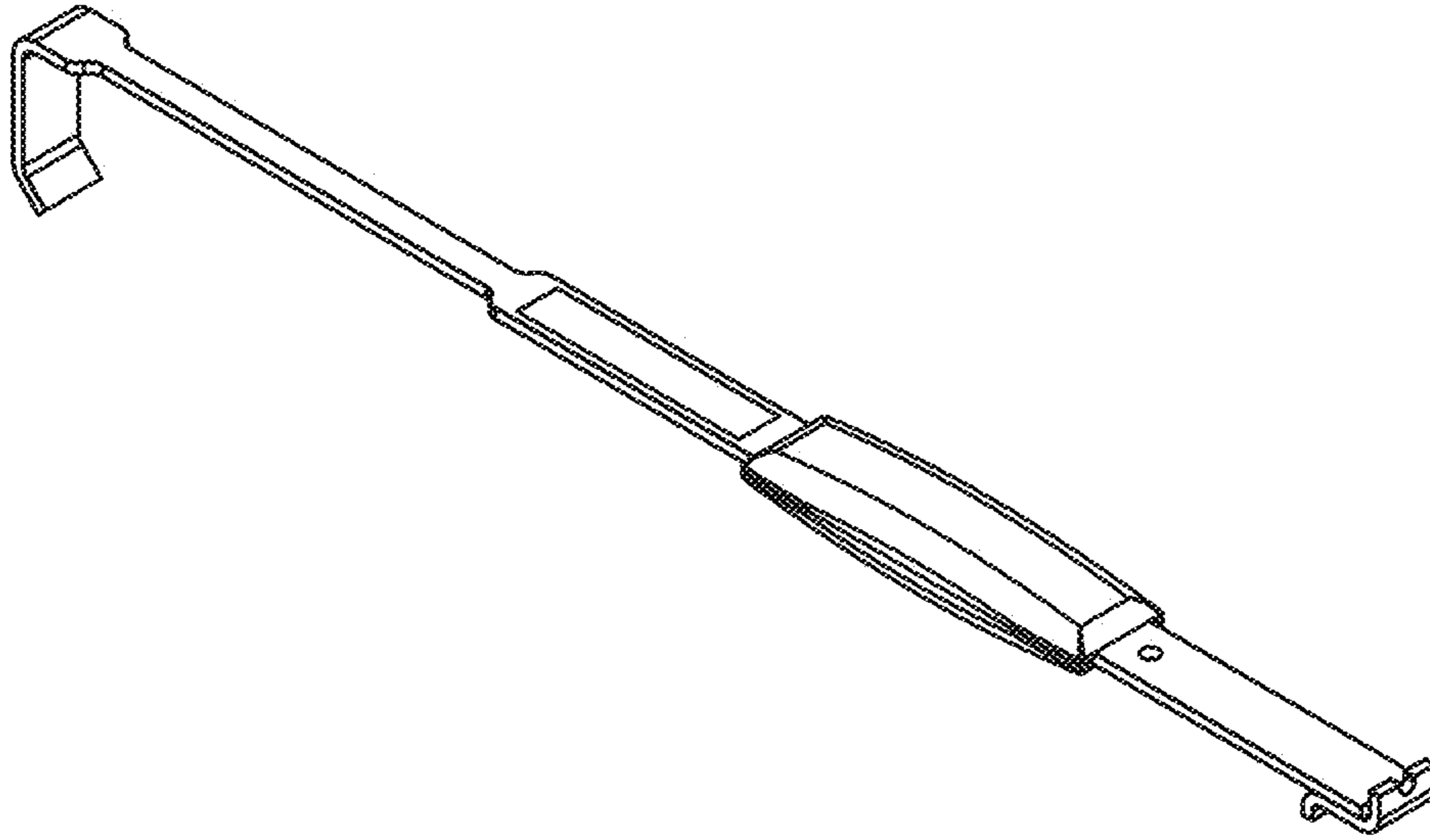


FIG. 12

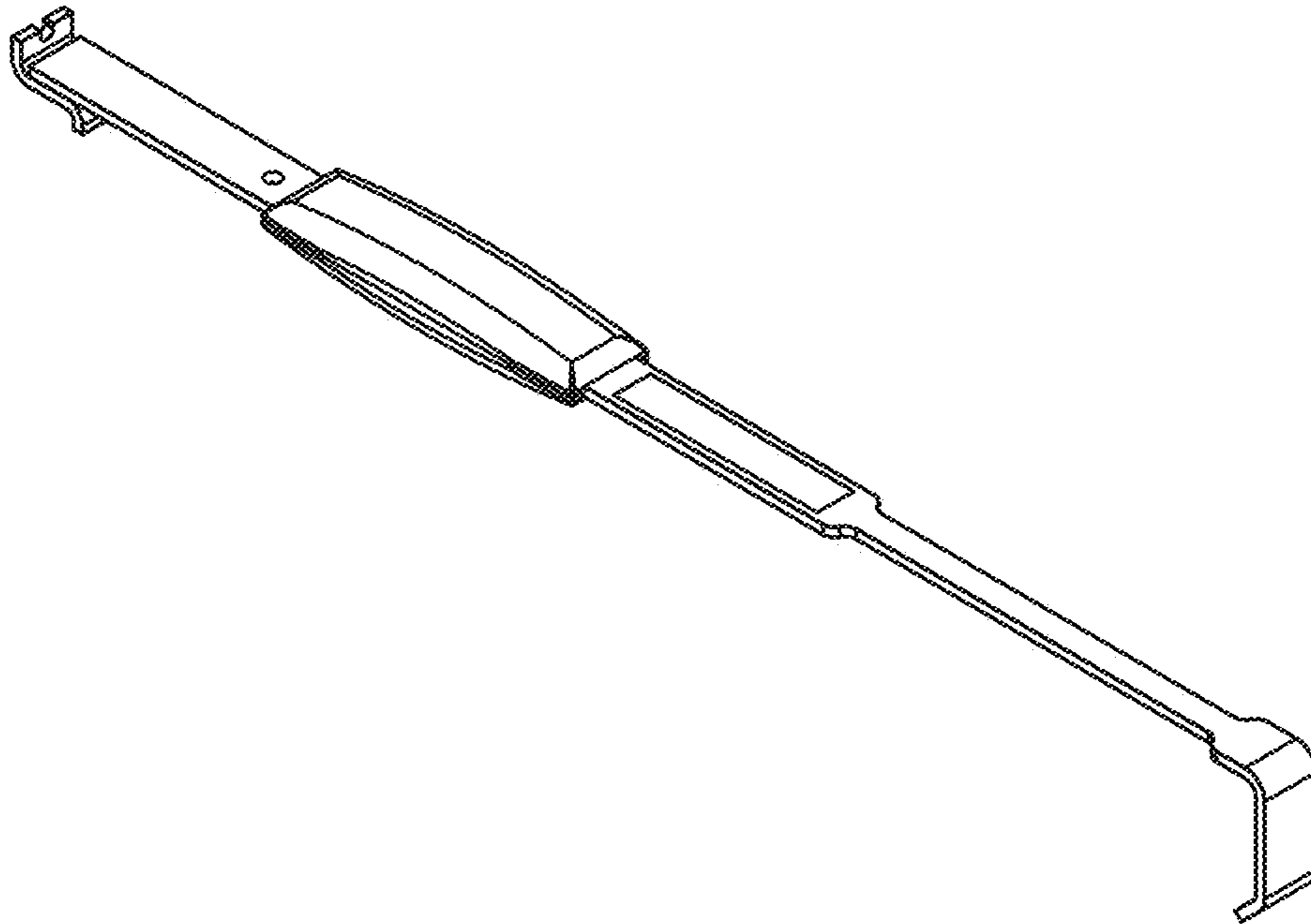


FIG. 13

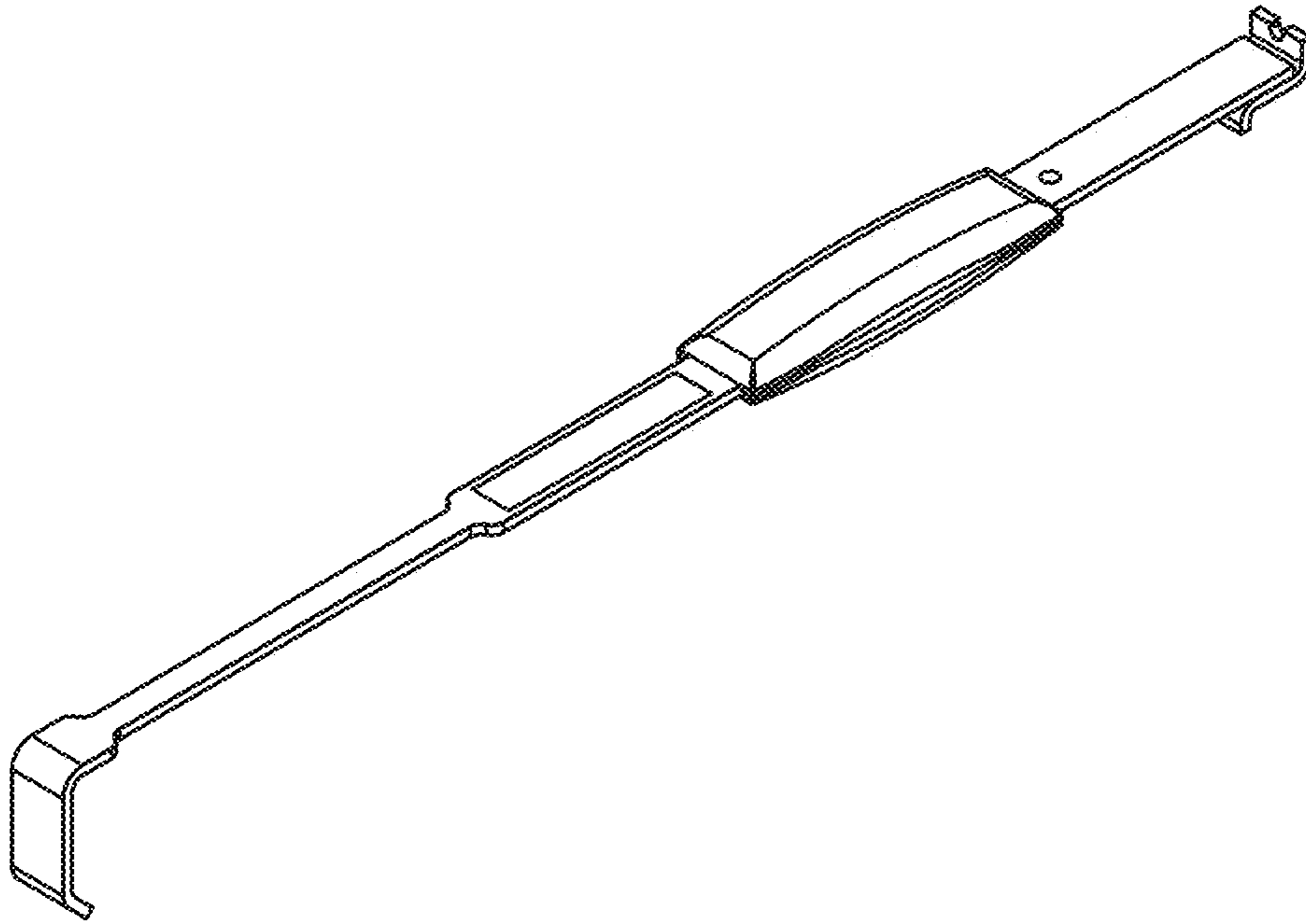


FIG. 14