



US00D887228S

(12) **United States Design Patent** (10) **Patent No.:** **US D887,228 S**
Kwiatkowski et al. (45) **Date of Patent:** **** Jun. 16, 2020**

(54) **CUTTING BOARD**
(71) Applicants: **Neil Kwiatkowski**, Queens, NY (US);
Benjamin Oppenheimer, New York,
NY (US)
(72) Inventors: **Neil Kwiatkowski**, Queens, NY (US);
Benjamin Oppenheimer, New York,
NY (US)
(73) Assignee: **Helen of Troy Limited**, St. Michael
(BB)
(**) Term: **15 Years**
(21) Appl. No.: **29/686,995**
(22) Filed: **Apr. 9, 2019**
(51) **LOC (12) Cl.** **07-04**
(52) **U.S. Cl.**
USPC **D7/698**
(58) **Field of Classification Search**
USPC D7/354, 543, 549, 550.1, 551.2, 552.1,
D7/554.3, 586, 698-699; D19/113;
D32/55-57
CPC A47J 47/00; A47J 47/005; A47J 47/20;
B24D 15/082; B26D 7/0006; B26D
7/018; B26D 7/20; B23D 21/00; B23K
37/04; B23K 37/053; B23Q 16/001
See application file for complete search history.

5,233,793 A * 8/1993 Dandurand B24D 15/082
451/461
D412,815 S * 8/1999 Porter D7/698
D424,891 S * 5/2000 Kaposi D7/698
D480,923 S * 10/2003 Neubourg D7/554.3
D555,987 S * 11/2007 Williams D7/698
D564,827 S * 3/2008 Ha D7/354
D623,693 S * 9/2010 Hoch D19/113
D700,003 S * 2/2014 Lagsdin D7/354
D738,695 S * 9/2015 Hsieh D7/698
D774,830 S * 12/2016 Gebhardt D7/552.1
D774,831 S * 12/2016 Gebhardt D7/554.3

OTHER PUBLICATIONS

<https://www.oxo.com/categories/cooking-and-baking/cut-slice-chop/knives-scissors-cutting-boards/utility-cutting-board.html#black>, publicly available prior to Apr. 4, 2019.

* cited by examiner

Primary Examiner — Ricky Pham
(74) *Attorney, Agent, or Firm* — Rankin, Hill & Clark
LLP

(57) **CLAIM**

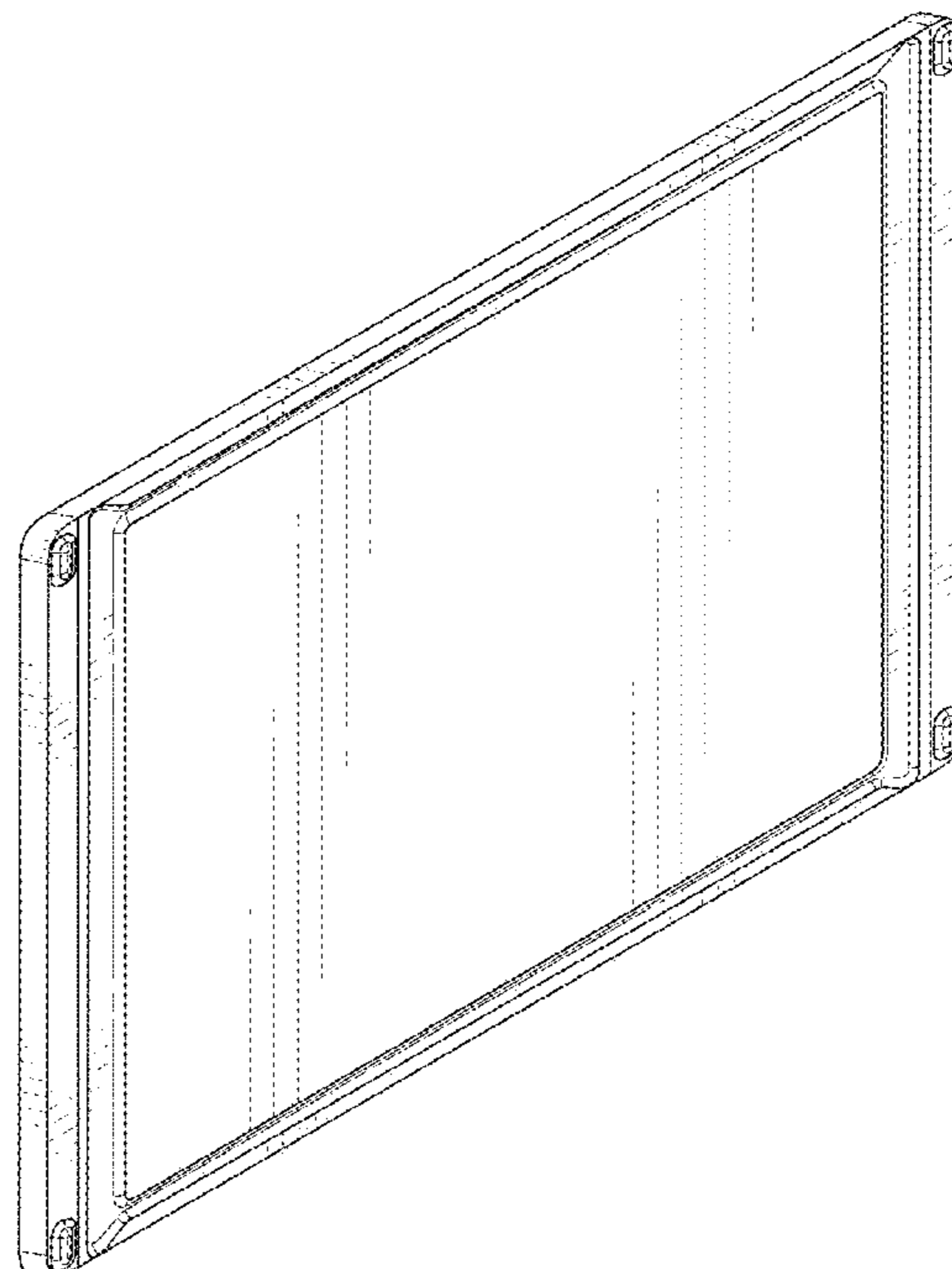
The ornamental design for a cutting board, as shown, and described.

DESCRIPTION

FIG. 1 is a perspective view of a cutting board;
FIG. 2 is a top plan view thereof;
FIG. 3 is a bottom plan view thereof;
FIG. 4 is a right elevation view thereof, the left elevation view being a mirror image thereof; and,
FIG. 5 is a front view thereof, the rear view being a mirror image thereof.

1 Claim, 5 Drawing Sheets

(56) **References Cited**
U.S. PATENT DOCUMENTS
D160,480 S * 10/1950 Crook D7/551.2
4,907,789 A * 3/1990 Tice A47J 47/005
269/13



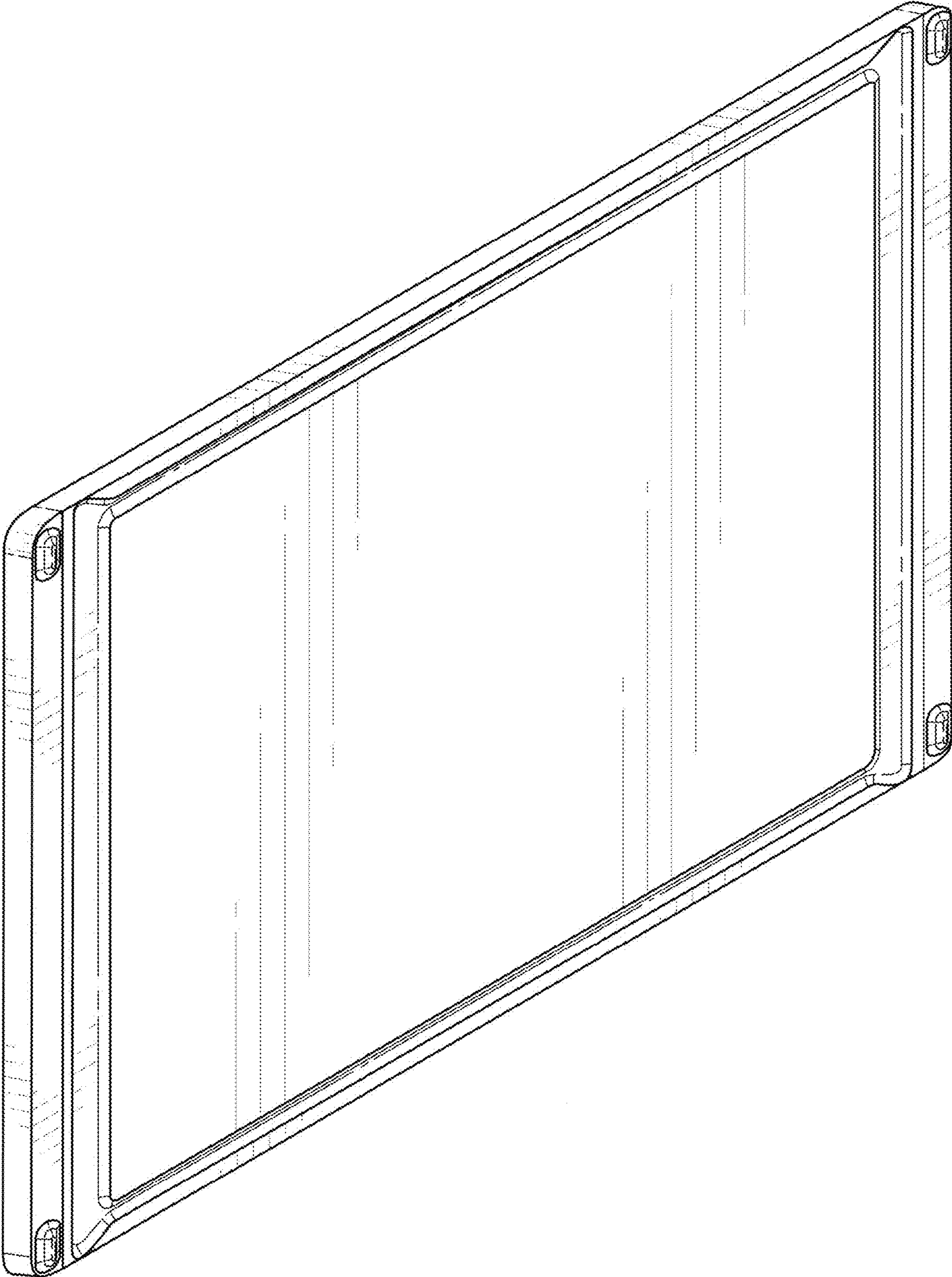


FIG. 1

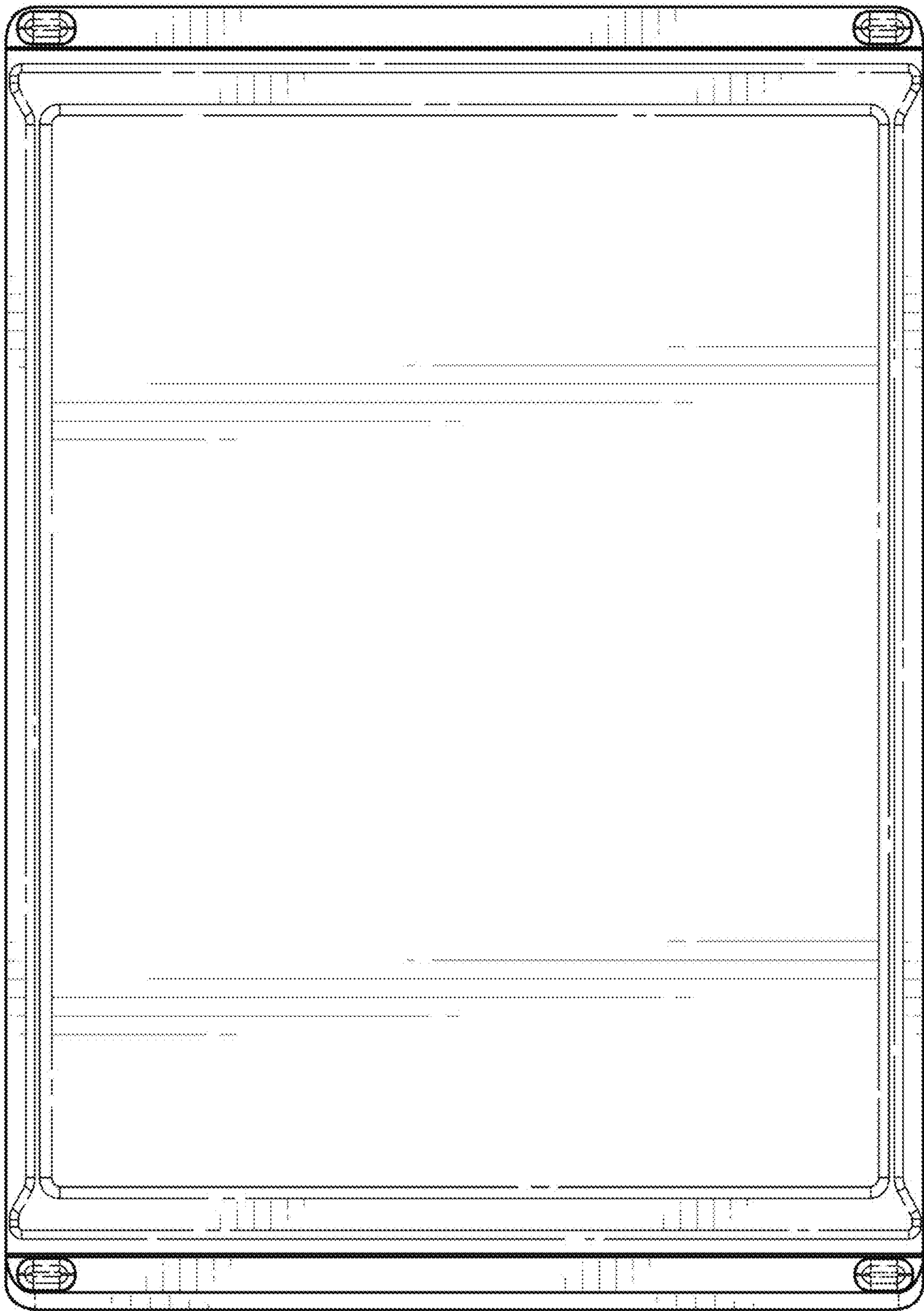


FIG. 2

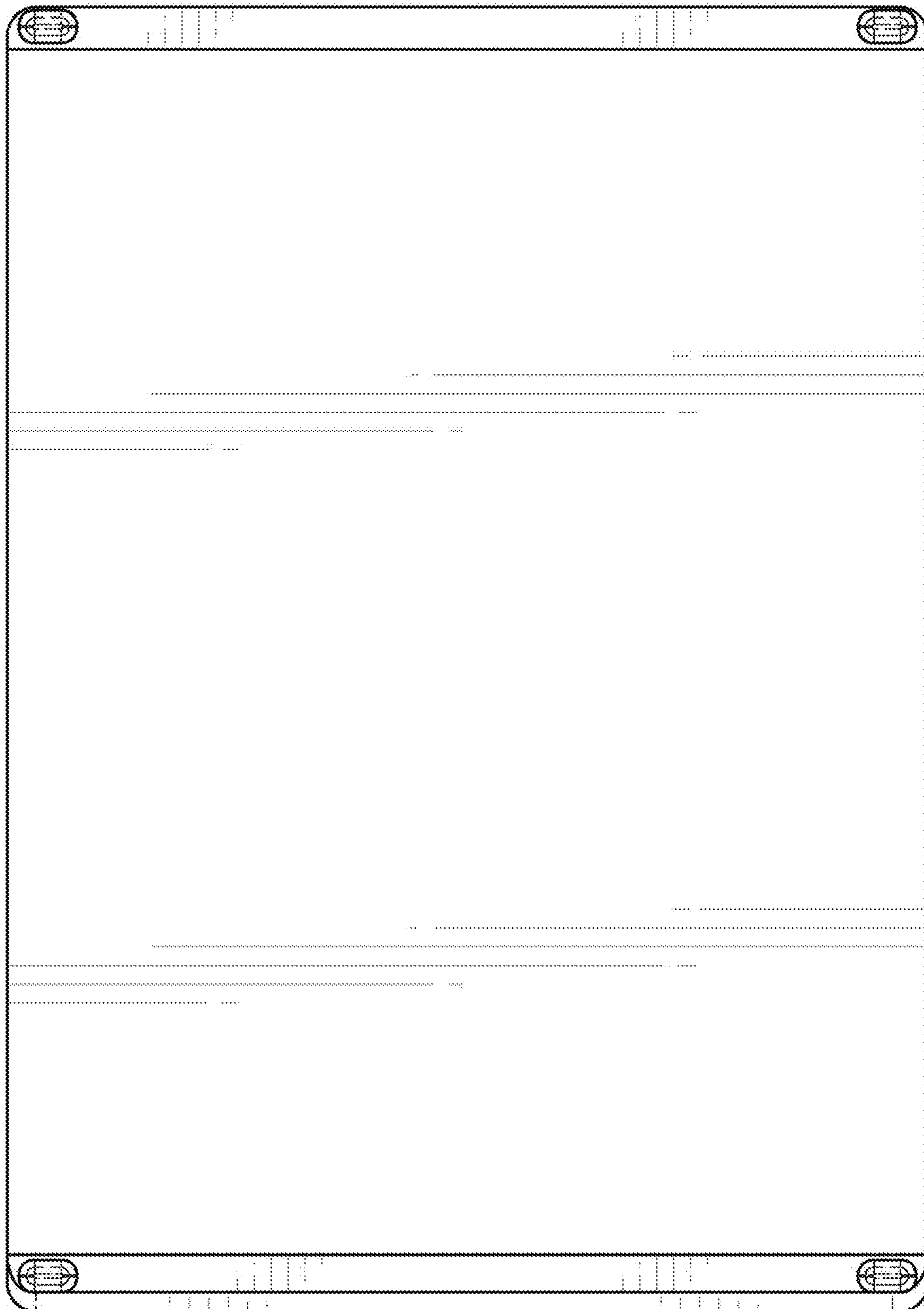


FIG. 3

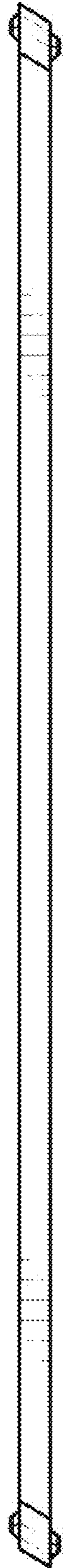


FIG. 4



FIG. 5